



US00D519342S

(12) **United States Design Patent**
Hartman et al.

(10) **Patent No.:** **US D519,342 S**

(45) **Date of Patent:** **** Apr. 25, 2006**

(54) **TOOL DESIGN**

(76) Inventors: **Jerry A. Hartman**, 2181 Wynebourne Dr., Gastonia, NC (US) 28056; **Patrick Hartman**, 130 Lauren Ct., Gastonia, NC (US) 28056

(**) Term: **14 Years**

(21) Appl. No.: **29/211,809**

(22) Filed: **Aug. 23, 2004**

Related U.S. Application Data

(63) Continuation-in-part of application No. 10/331,257, filed on Dec. 30, 2002, now abandoned.

(51) **LOC (8) Cl.** **08-05**

(52) **U.S. Cl.** **D8/28**

(58) **Field of Classification Search** D8/21-29, D8/17; 81/177.8, 176.1, 119, 186, 177.1, 81/177.9, 185.1, 120, 176.2, 121.1, 125.1, 81/177.85; 16/429

See application file for complete search history.

(56) **References Cited**

U.S. PATENT DOCUMENTS

835,034 A * 11/1906 Riddle 81/61
3,754,486 A * 8/1973 Mariner 81/63

D332,730 S * 1/1993 Usuda D8/25
D334,122 S * 3/1993 Bang D8/21
D342,653 S * 12/1993 Macor D8/25
D344,223 S * 2/1994 Kubicek D8/25
D344,437 S * 2/1994 Cleland et al. D8/21
D431,982 S * 10/2000 Nyberg D8/21
D452,141 S * 12/2001 Liu D8/499

OTHER PUBLICATIONS

Proto tool catalog, p. 75.*

* cited by examiner

Primary Examiner—Raphael Barkai

Assistant Examiner—Randall H. Gholson

(74) *Attorney, Agent, or Firm*—Schwartz Law Firm P.C.

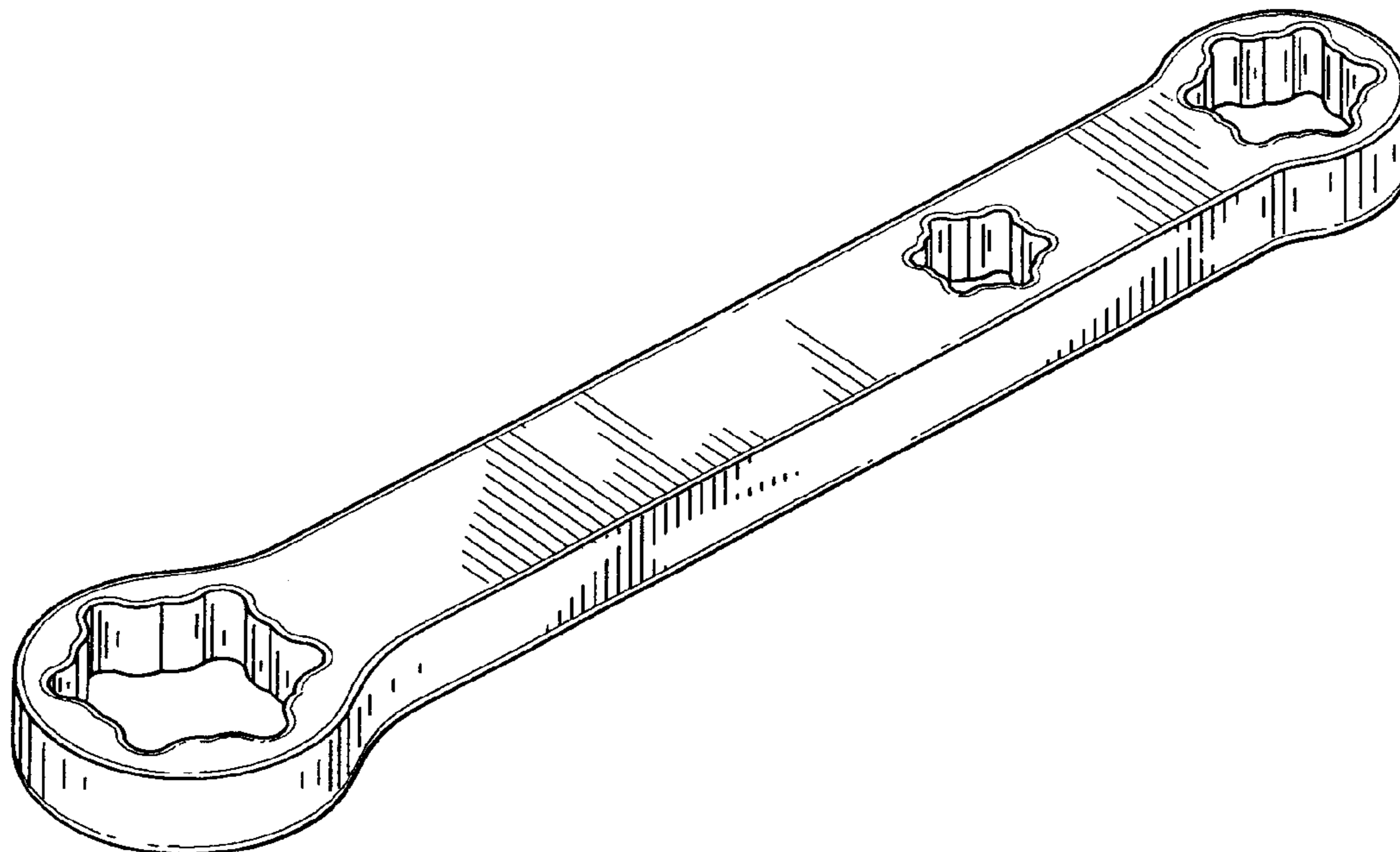
(57) **CLAIM**

We claim the ornamental design for a tool design, as shown.

DESCRIPTION

FIG. 1 is a perspective view of the tool design;
FIG. 2 is a top view of the tool design, the opposite view being a mirror image thereof;
FIG. 3 is a side view of the tool design, the opposite view being a mirror image thereof;
FIG. 4 is a first end view of the tool design; and,
FIG. 5 is a second end view of the tool design.

1 Claim, 2 Drawing Sheets



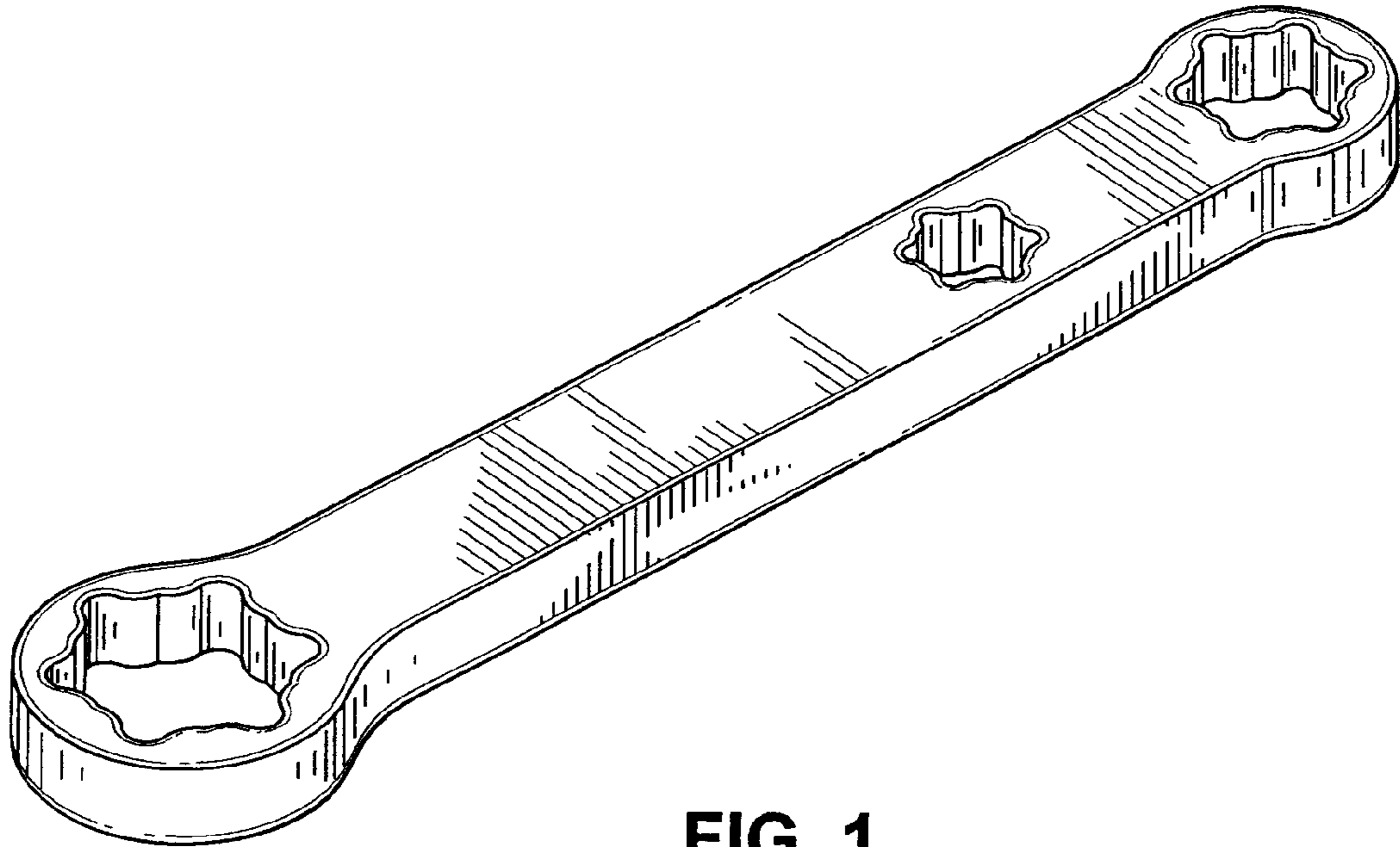


FIG. 1

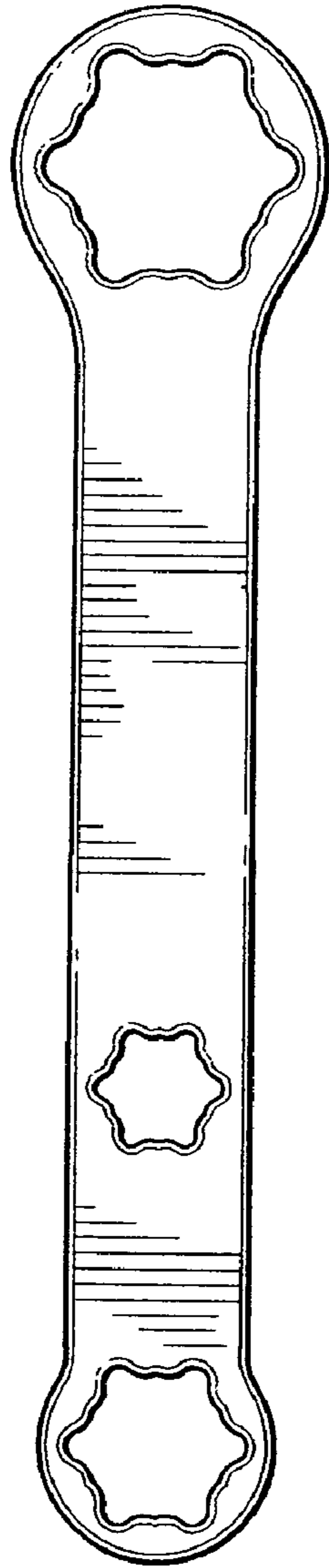


FIG. 2

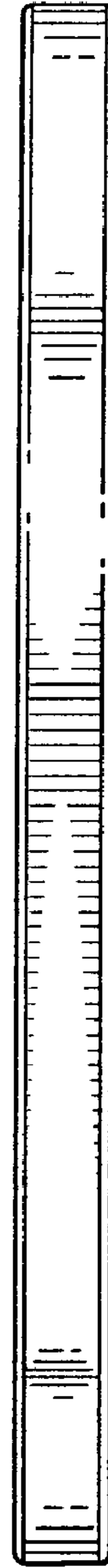


FIG. 3

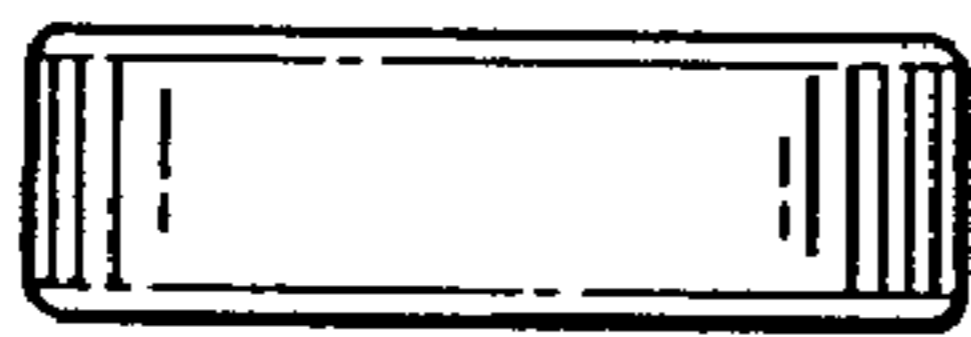


FIG. 4

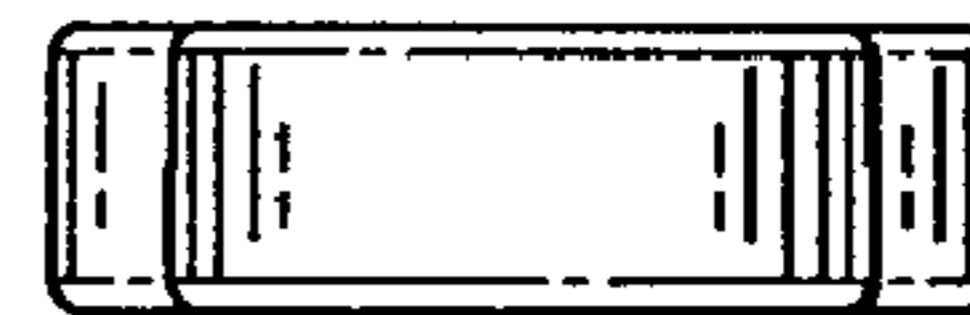


FIG. 5