



US00D519340S

(12) **United States Design Patent**
Wimmer et al.

(10) **Patent No.:** **US D519,340 S**
(45) **Date of Patent:** **** Apr. 25, 2006**

(54) **SNOW PLOW BOARD**

(76) Inventors: **Kyle J. Wimmer**, 955 W. 7th Ave.
Drive, Broomfield, CO (US) 80020;
Terry L. Wimmer, 925 Flint Way,
Broomfield, CO (US) 80020

(**) Term: **14 Years**

(21) Appl. No.: **29/229,369**

(22) Filed: **May 9, 2005**

(51) **LOC (8) Cl.** **08-05**

(52) **U.S. Cl.** **D8/19; D8/16**

(58) **Field of Classification Search** D8/7,
D8/10, 14, 16, 17, 19, 26, 45, 71, 88, 105,
D8/499; D32/40, 46, 55; D49/99; 15/236.01,
15/236.02, 236.08, 245, 245.1; 30/169; 37/266,
37/285; 294/49, 54.5, 55

See application file for complete search history.

(56) **References Cited**

U.S. PATENT DOCUMENTS

2,506,083	A	*	5/1950	Hollander	30/169
2,919,153	A		12/1959	Benton		
D200,244	S	*	2/1965	Yates	D8/10
3,440,741	A		4/1969	Yates		
3,676,888	A	*	7/1972	Akers	15/245
4,034,489	A		7/1977	Hughes, Jr.		
4,245,411	A	*	1/1981	McMath	37/285
D275,540	S	*	9/1984	Barkow	D8/14
4,516,799	A		5/1985	O'Donnell		

4,607,872	A		8/1986	Herner		
D301,111	S	*	5/1989	McDonnell	D8/10
5,048,883	A		9/1991	Waluk		
D349,592	S	*	8/1994	Stoll	D32/46
D352,432	S	*	11/1994	Monroe	D8/45
D426,757	S	*	6/2000	McGrellis	D8/10
D426,758	S	*	6/2000	Mitchell	D8/14

* cited by examiner

Primary Examiner—Caron D. Veynar

Assistant Examiner—Garth Rademaker

(74) *Attorney, Agent, or Firm*—Donald R. Schoonover

(57) **CLAIM**

We claim the ornamental design for a snow plow board, as shown and described.

DESCRIPTION

FIG. 1 is a perspective view of a snow plow board showing our new design;

FIG. 2 is a top plan view thereof, the bottom plan view being identical thereto except for the beveled edge on the front as shown in FIGS. 1 and 5;

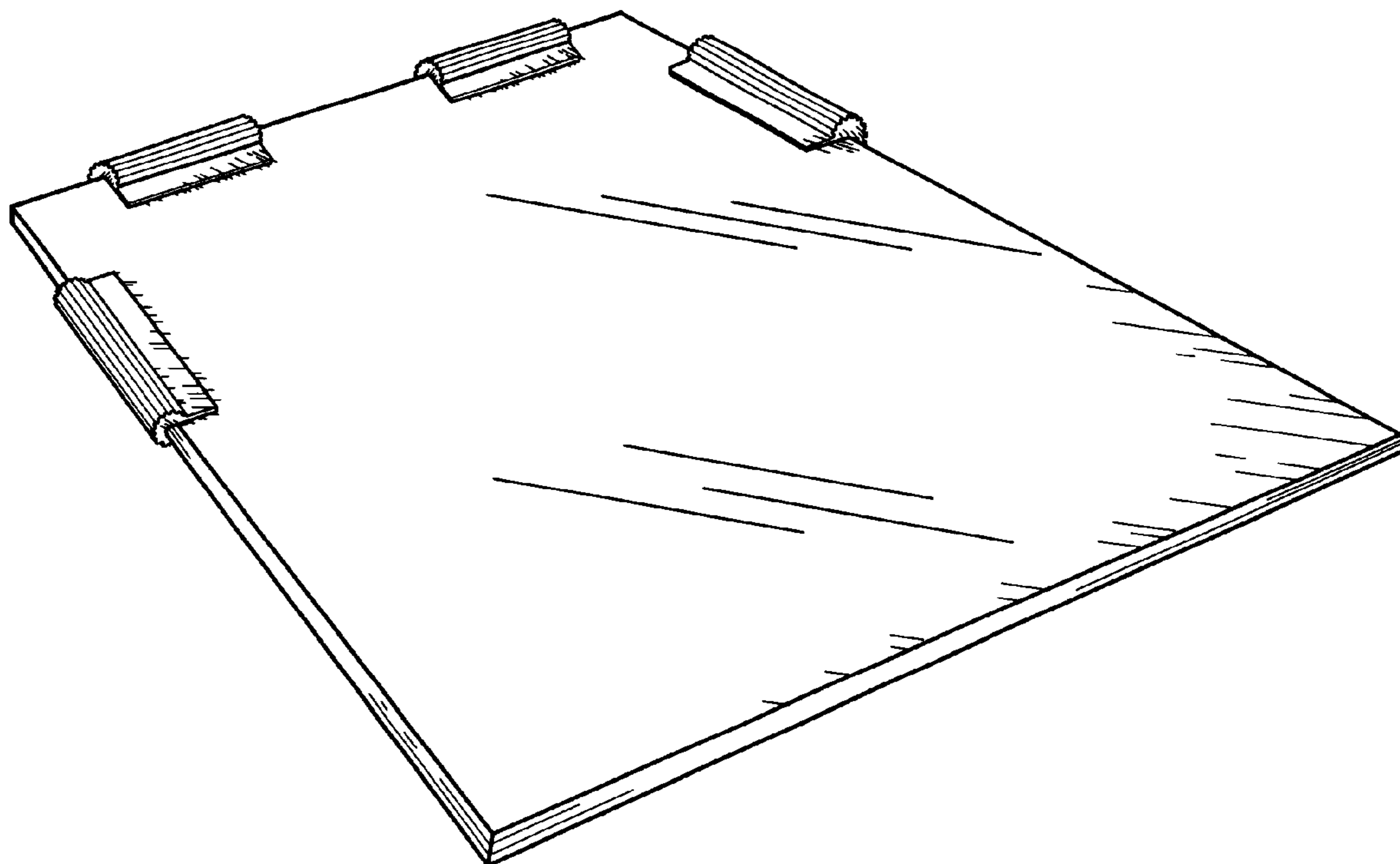
FIG. 3 is a front end elevational view thereof;

FIG. 4 is a back end elevational view thereof;

FIG. 5 is a right side elevational view thereof, the elevational view of the opposing side being a mirror image thereof; and,

FIG. 6 is a perspective view showing the snow plow board in use; the broken line sections depict environmental structure for illustrative purposes only and form no part of the claimed design.

1 Claim, 3 Drawing Sheets



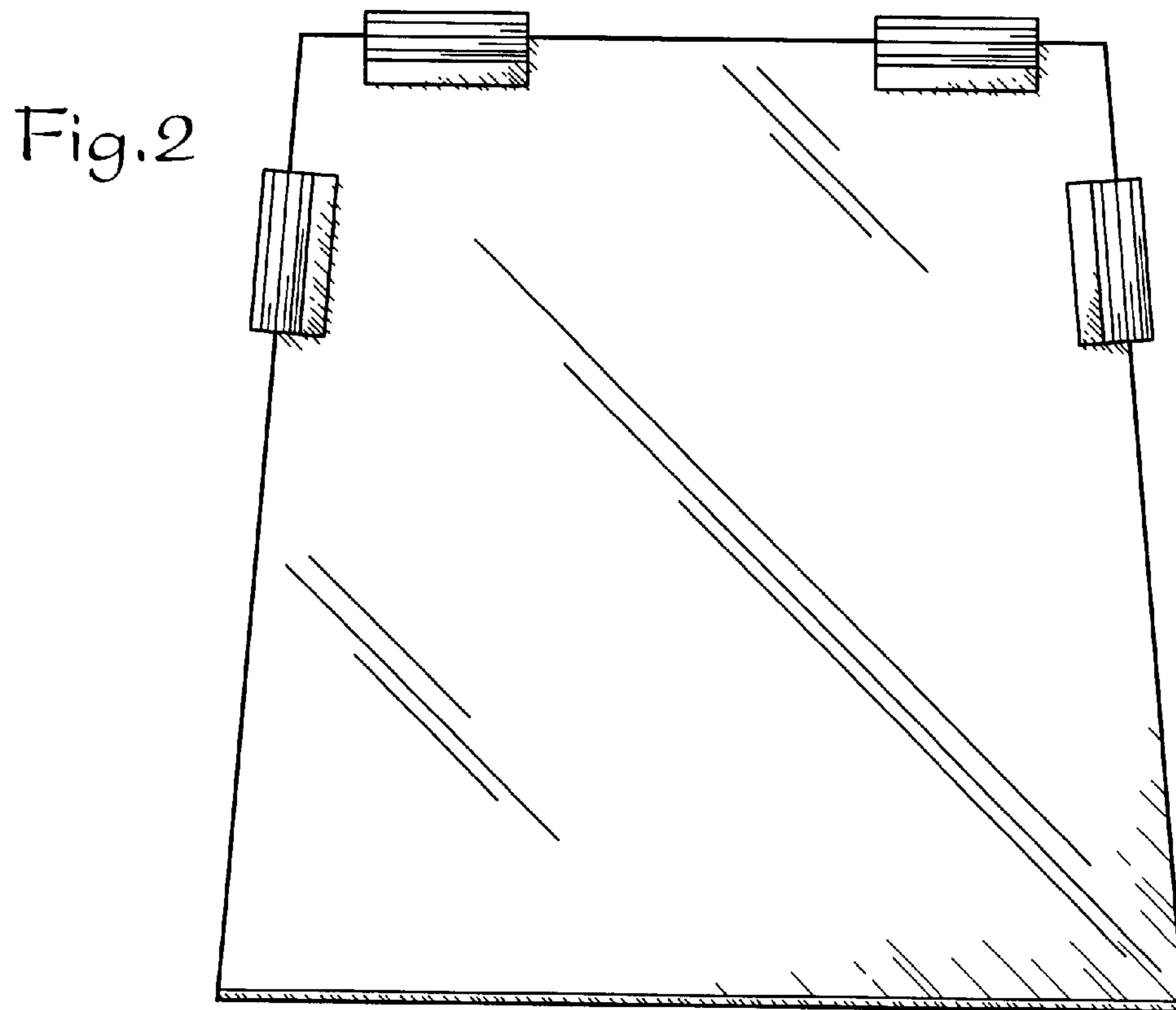
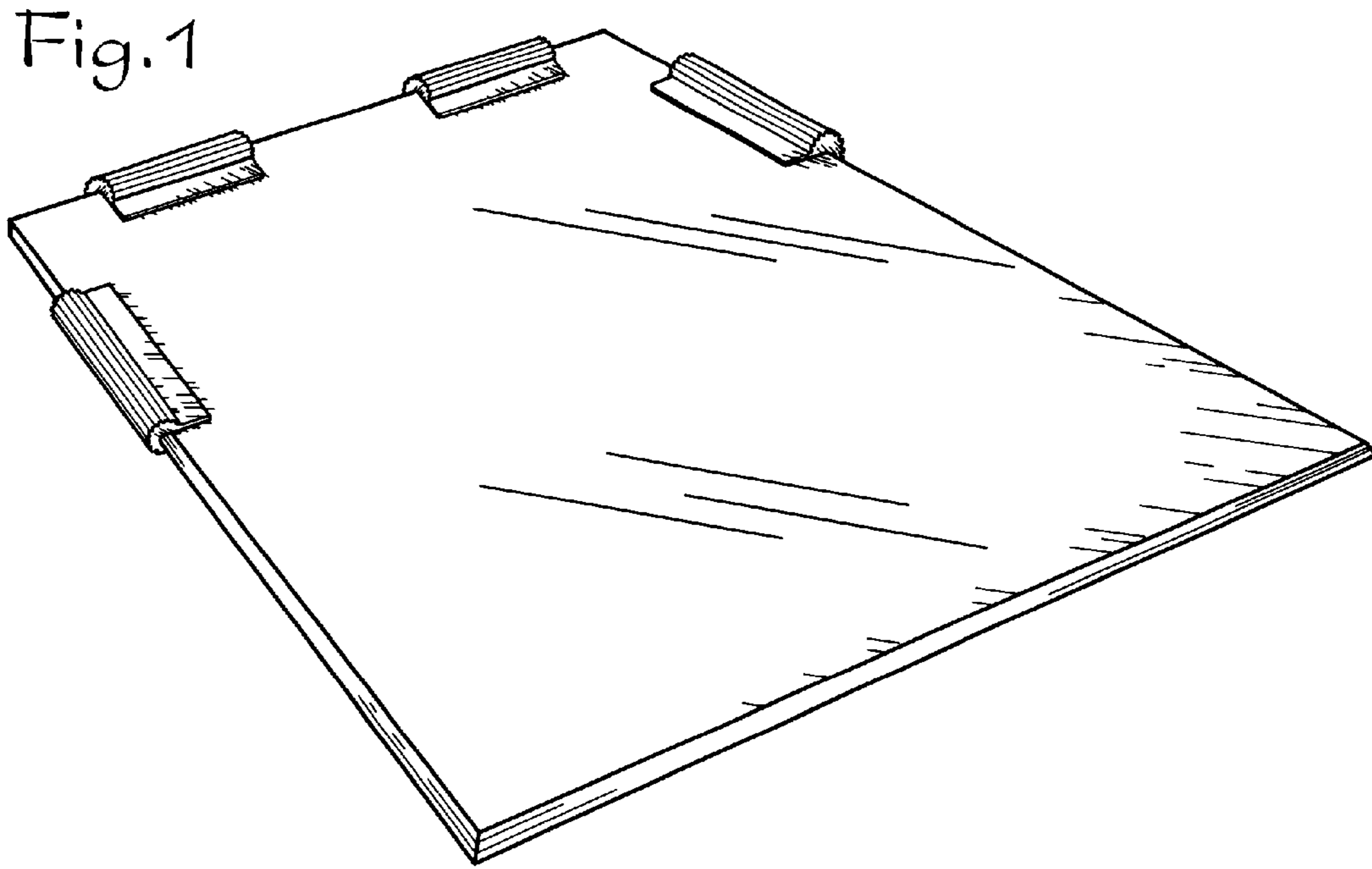


Fig.3



Fig.4

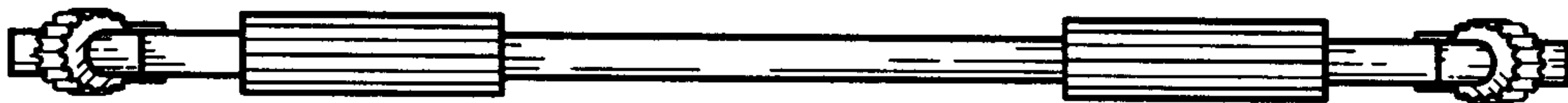


Fig.5

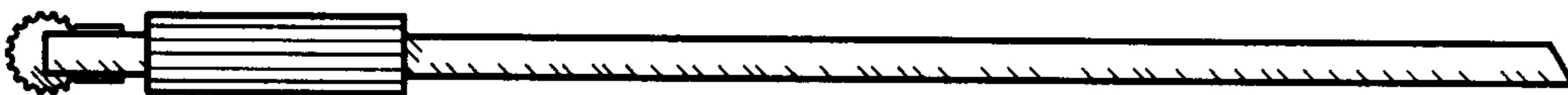


Fig.6

