



US00D519337S

(12) **United States Design Patent**
Thomas

(10) **Patent No.:** **US D519,337 S**

(45) **Date of Patent:** **** Apr. 25, 2006**

(54) **DOOR LOCK SET INSTALLATION JIG**

(75) Inventor: **Rickey J. Thomas**, Lineboro, MD (US)

(73) Assignee: **Black & Decker Inc.**, Newark, DE (US)

(**) Term: **14 Years**

(21) Appl. No.: **29/202,734**

(22) Filed: **Apr. 2, 2004**

(51) **LOC (8) Cl.** **08-05**

(52) **U.S. Cl.** **D8/14**

(58) **Field of Classification Search** D8/14,
D8/349, 354; 408/115 B, 1 R, 9
See application file for complete search history.

(56) **References Cited**

U.S. PATENT DOCUMENTS

2,268,930	A	1/1942	Edwards	
3,327,573	A	6/1967	Prussiano	
4,715,125	A	12/1987	Livick	
4,813,826	A	3/1989	Riedel	
4,815,215	A	3/1989	Saylor et al.	
5,116,170	A *	5/1992	Palmer et al.	408/72 B
5,222,845	A	6/1993	Goldstein et al.	
5,762,115	A *	6/1998	Shouse	144/144.51
6,193,449	B1	2/2001	Diaz	
6,254,320	B1	7/2001	Weinstein et al.	
6,343,632	B1	2/2002	Zivojinovic	
6,398,465	B1	6/2002	Monge	

OTHER PUBLICATIONS

Home Depot maintenance warehouse sourcebook lockset installation tool, p. 1367. Home Depot maintenance warehouse sourcebook, 2001 [retrieved on Nov. 9, 2005] retrieved from the Internet <http://catalogs.google.com/>.*

* cited by examiner

Primary Examiner—Holly H. Baynham

(74) *Attorney, Agent, or Firm*—Harness, Dickey & Pierce, P.L.L.C.

(57) **CLAIM**

The ornamental design for a door lock set installation jig, substantially as shown and described.

DESCRIPTION

FIG. 1 is a perspective view of a door lockset installation jig in accordance with the present invention.

FIG. 2 is a side elevation view of the door lockset installation jig of FIG. 1.

FIG. 3 is a top elevation view of the door lockset installation jig of FIG. 1.

FIG. 4 is a side elevation view of the door lockset installation jig of FIG. 1.

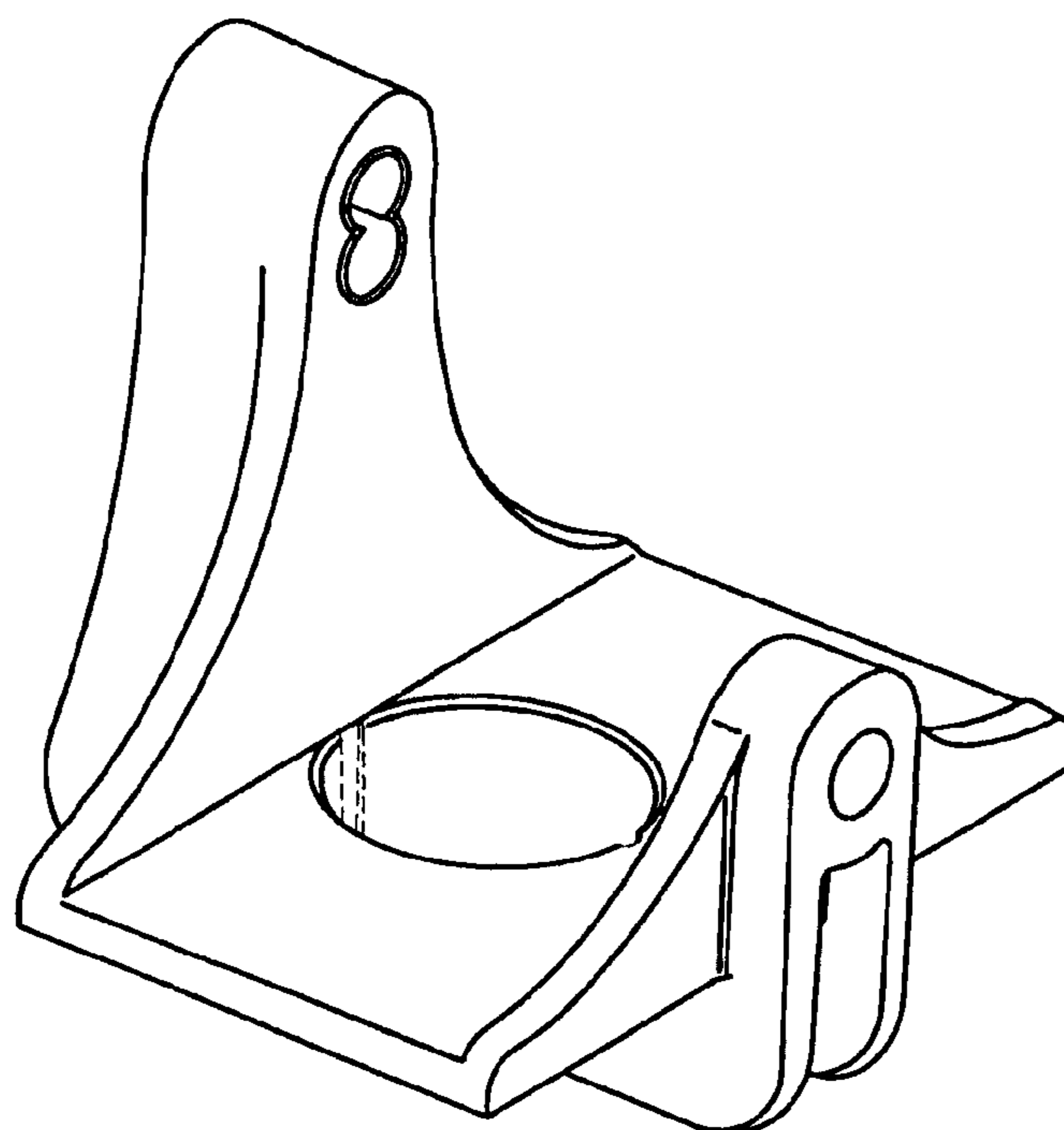
FIG. 5 is a rear elevation view of the door lockset installation jig of FIG. 1.

FIG. 6 is a bottom elevation view of the door lockset installation jig of FIG. 1; and,

FIG. 7 is a front elevation view of the door lockset installation jig of FIG. 1.

The broken line showing is for illustrative purposes only and forms no part of the claimed design.

1 Claim, 4 Drawing Sheets



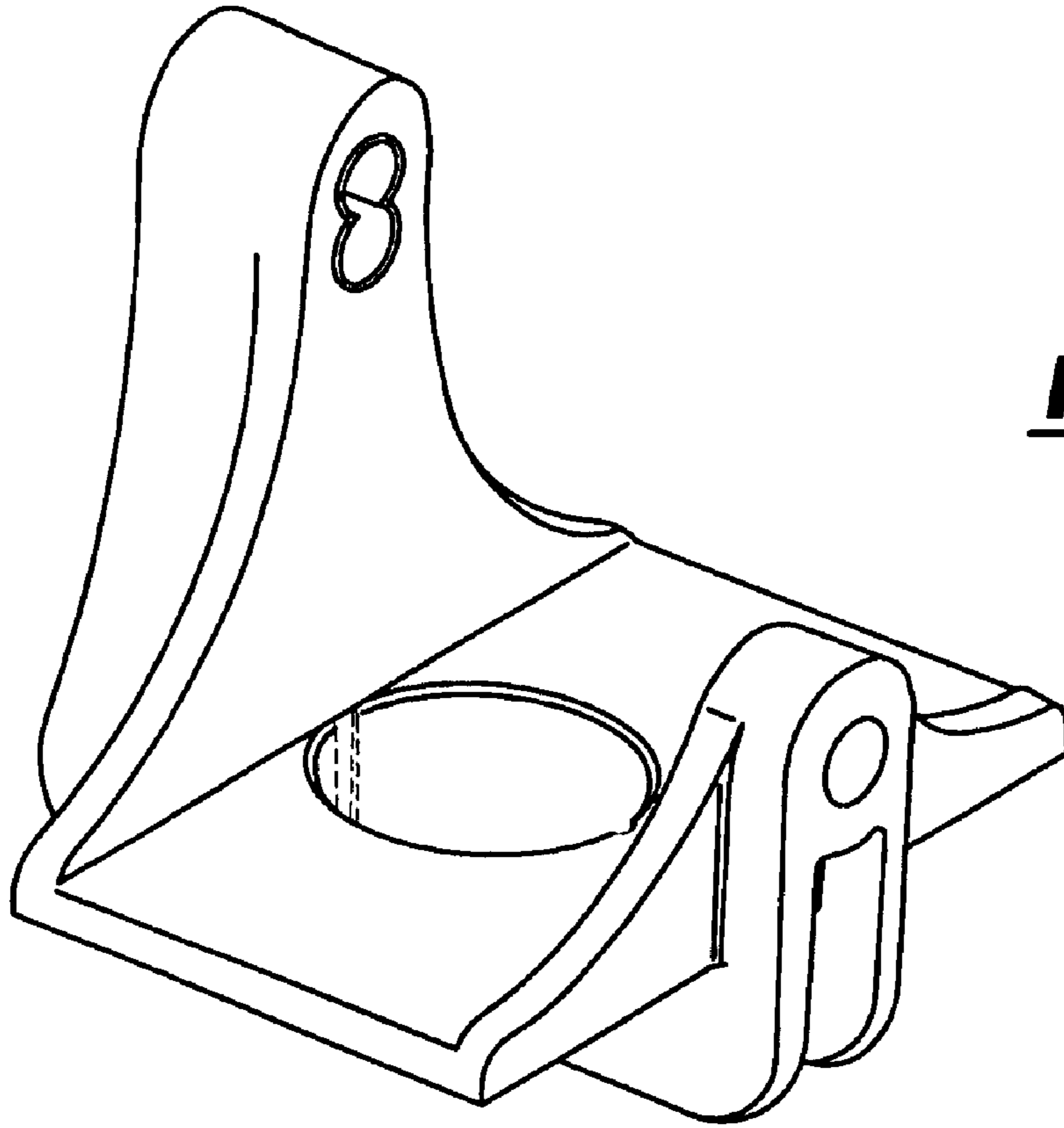


FIG - 1

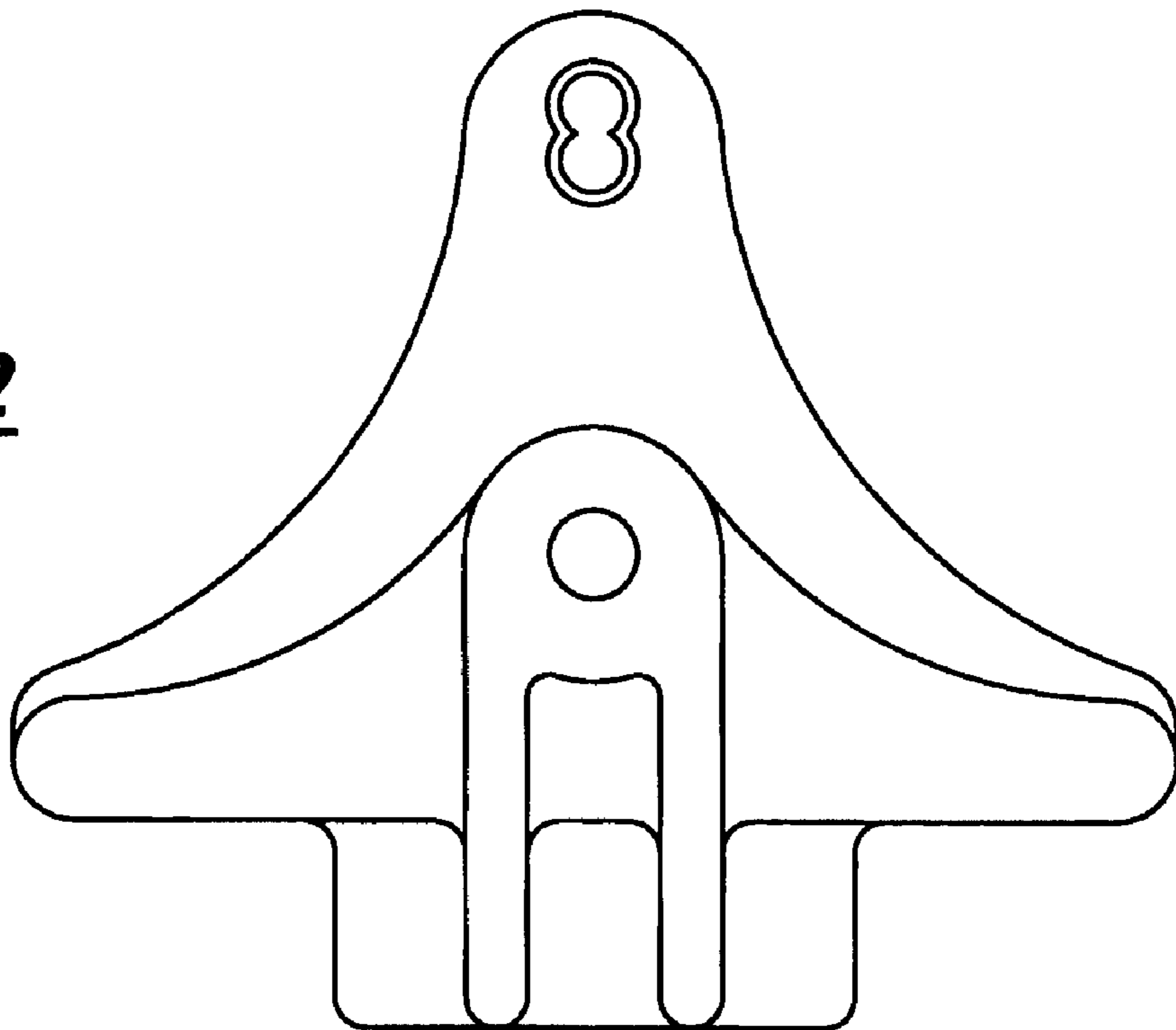


FIG - 2

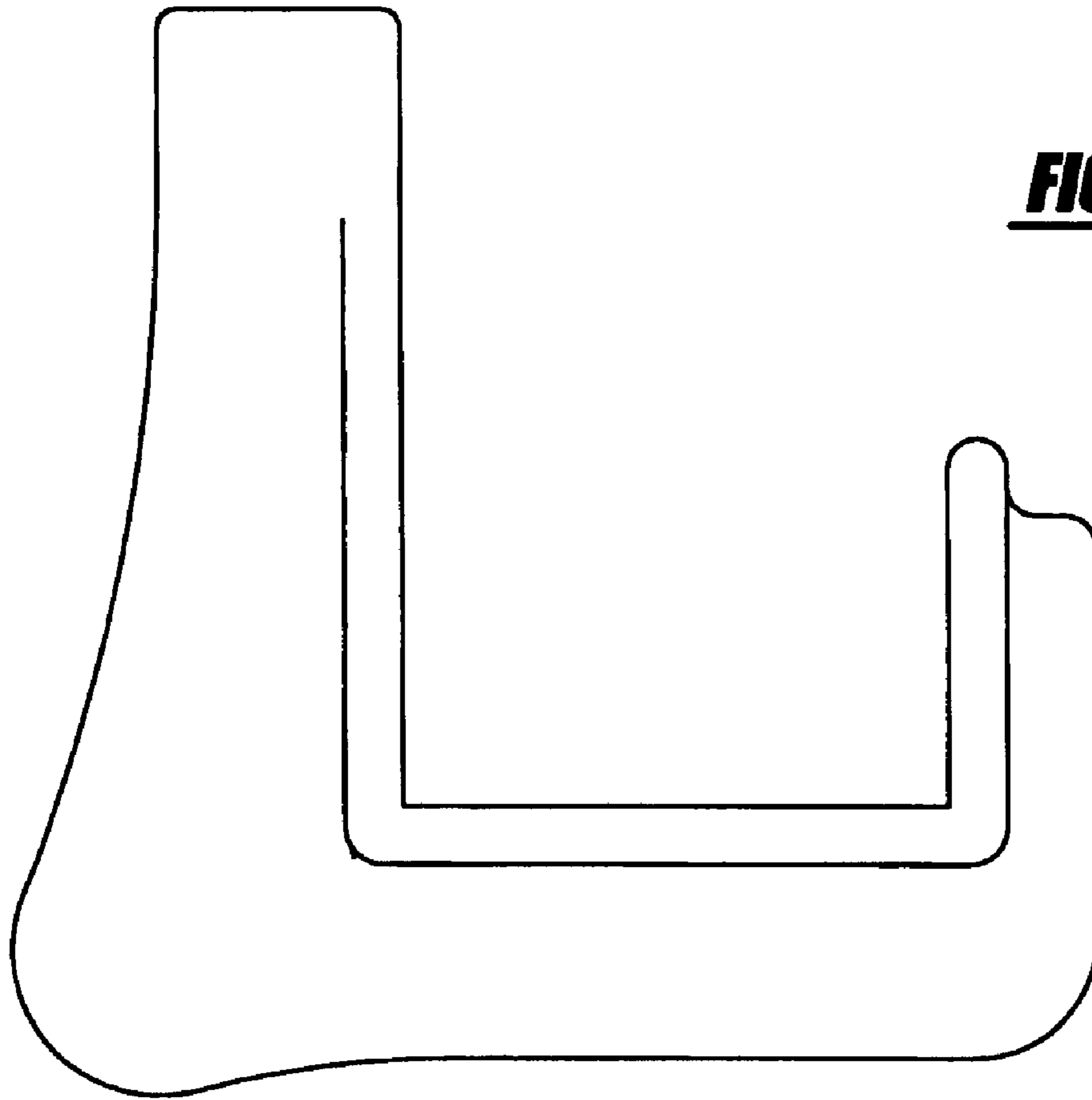


FIG - 3

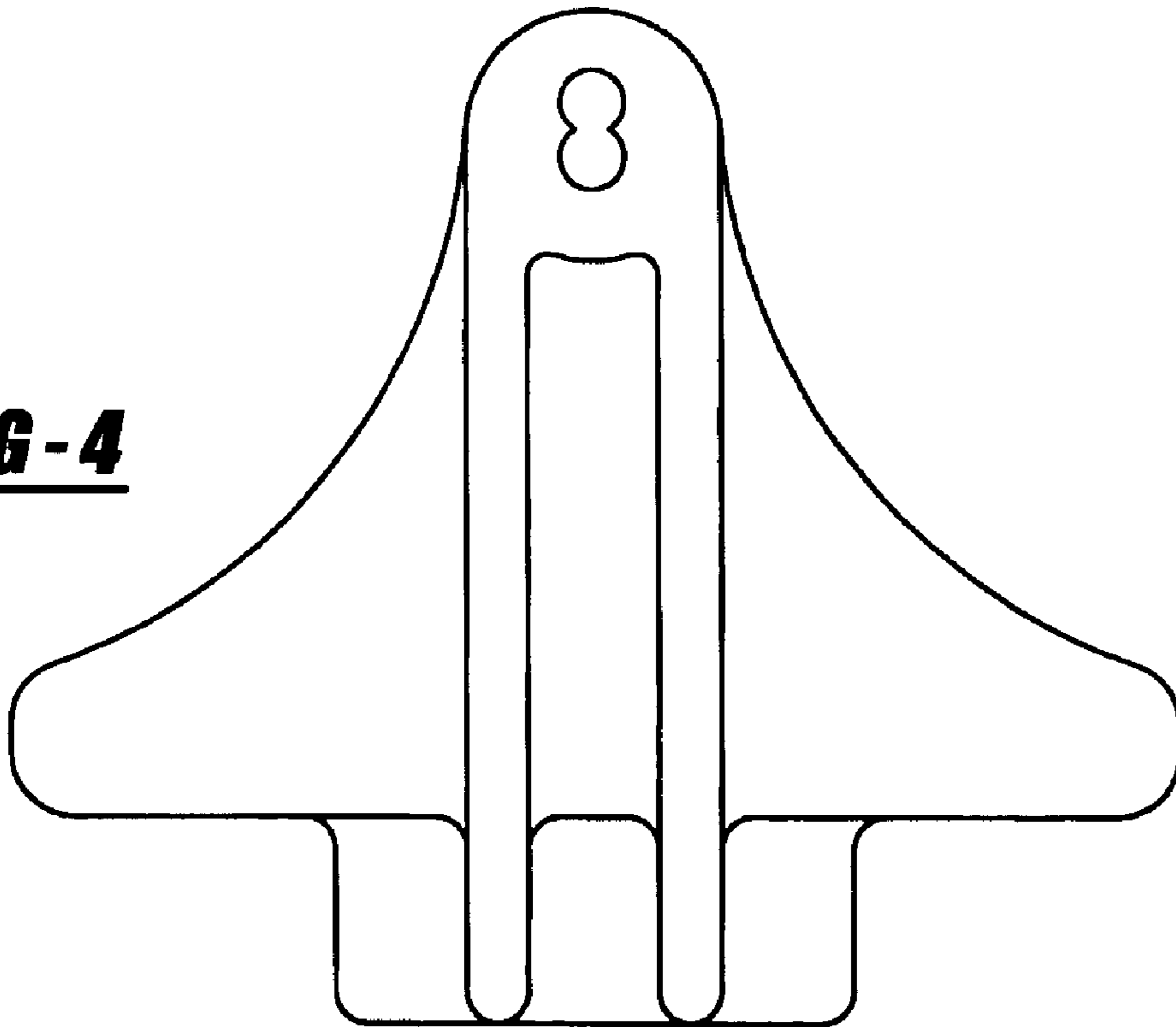


FIG - 4

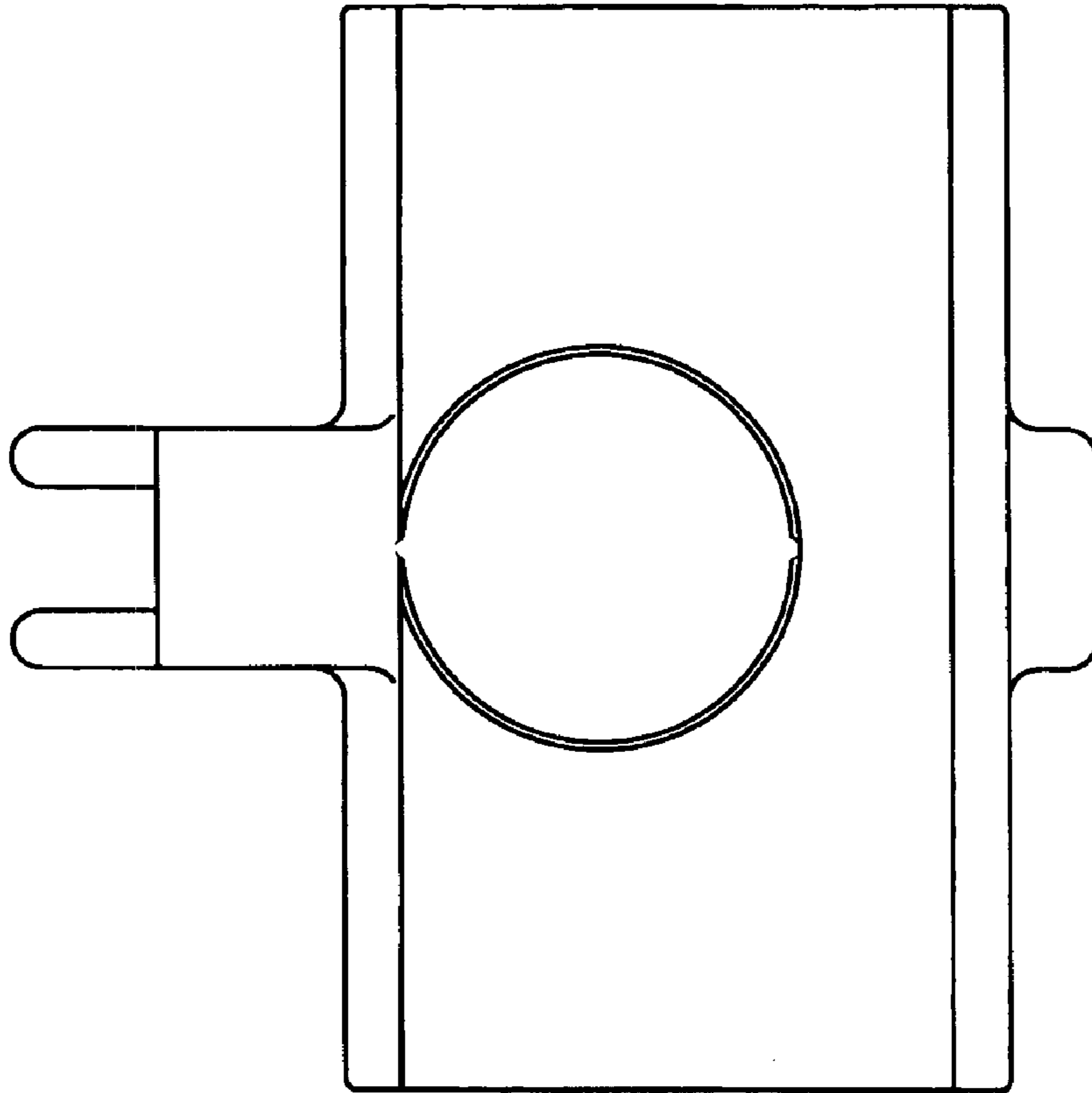
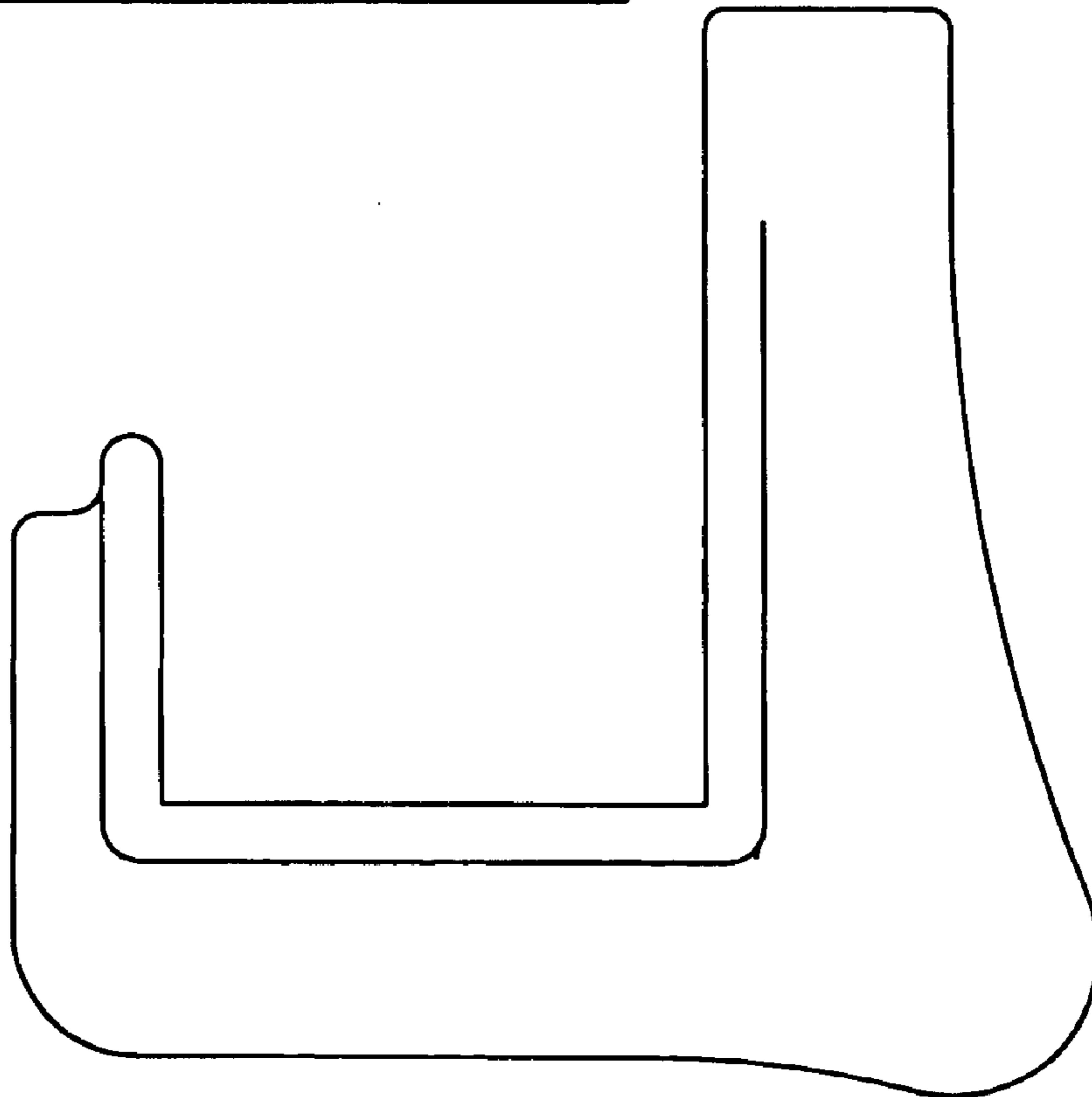


FIG - 5

FIG - 6



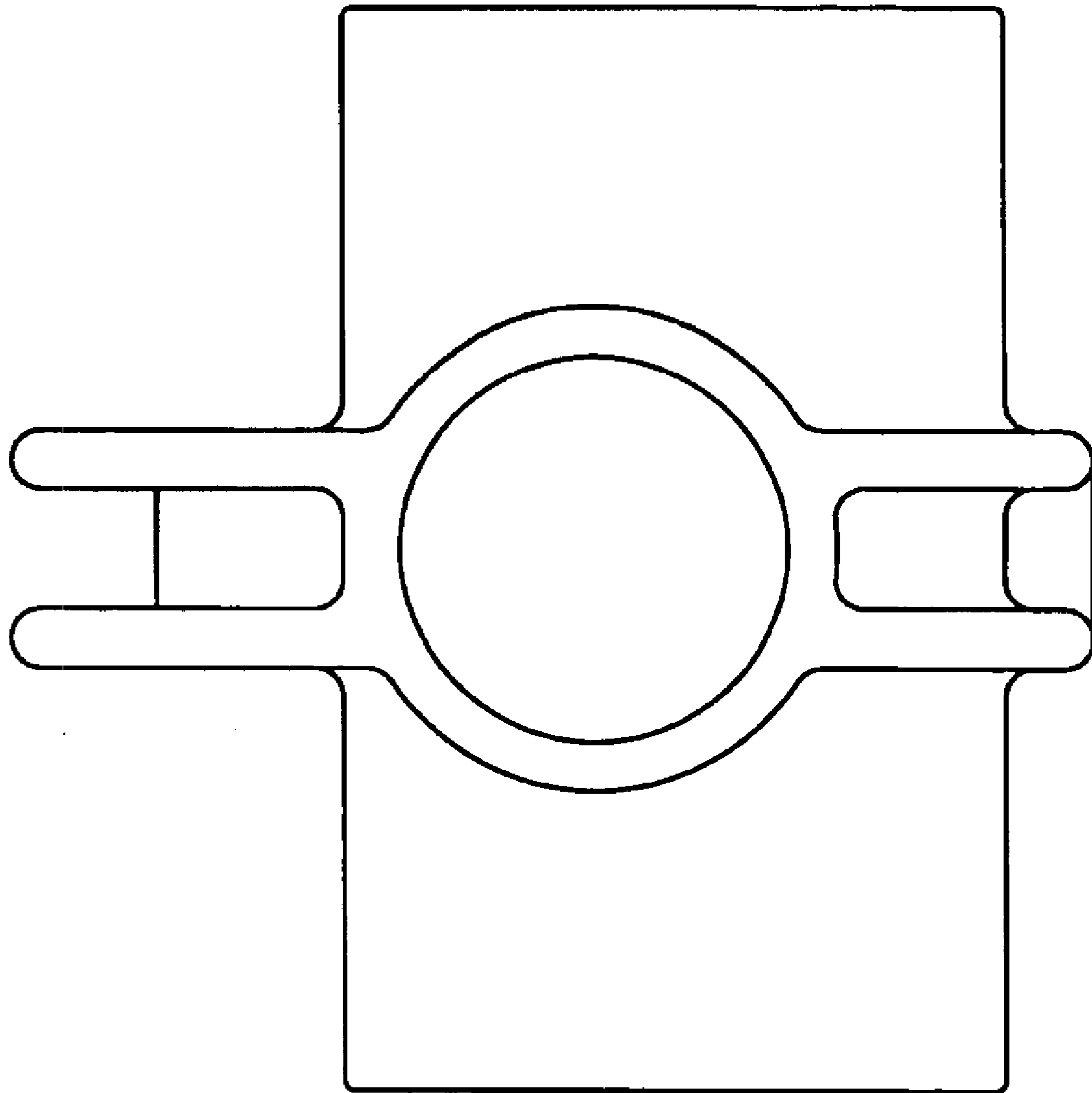


FIG - 7