



US00D519333S

(12) **United States Design Patent**
Stewart

(10) **Patent No.:** **US D519,333 S**

(45) **Date of Patent:** **** Apr. 25, 2006**

(54) **NESTING SPOON**

D330,863 S * 11/1992 Green D10/46.2
D425,381 S * 5/2000 Denham et al. D7/691

(75) Inventor: **Joshua R. Stewart**, Seattle, WA (US)

* cited by examiner

(73) Assignee: **Chef'n Corporation**, Seattle, WA (US)

Primary Examiner—Terry A. Wallace

(**) Term: **14 Years**

(74) *Attorney, Agent, or Firm*—Seed IP Law Group PLLC

(21) Appl. No.: **29/231,101**

(57) **CLAIM**

(22) Filed: **May 31, 2005**

The ornamental design for a nesting spoon, as shown and described.

(51) **LOC (8) Cl.** **07-02**

DESCRIPTION

(52) **U.S. Cl.** **D7/691**; D10/46.2

FIG. 1 is a front perspective view of a nesting spoon showing my new design.

(58) **Field of Classification Search** D7/681–696,
D7/393, 395, 653–664; 30/324–328; 294/1.1,
294/55; D10/46.2, 46.3

FIG. 2 is a top plan view thereof.

FIG. 3 is an end view thereof.

See application file for complete search history.

FIG. 4 is a front elevation view thereof;

FIG. 5 is a rear elevation view thereof.

(56) **References Cited**

U.S. PATENT DOCUMENTS

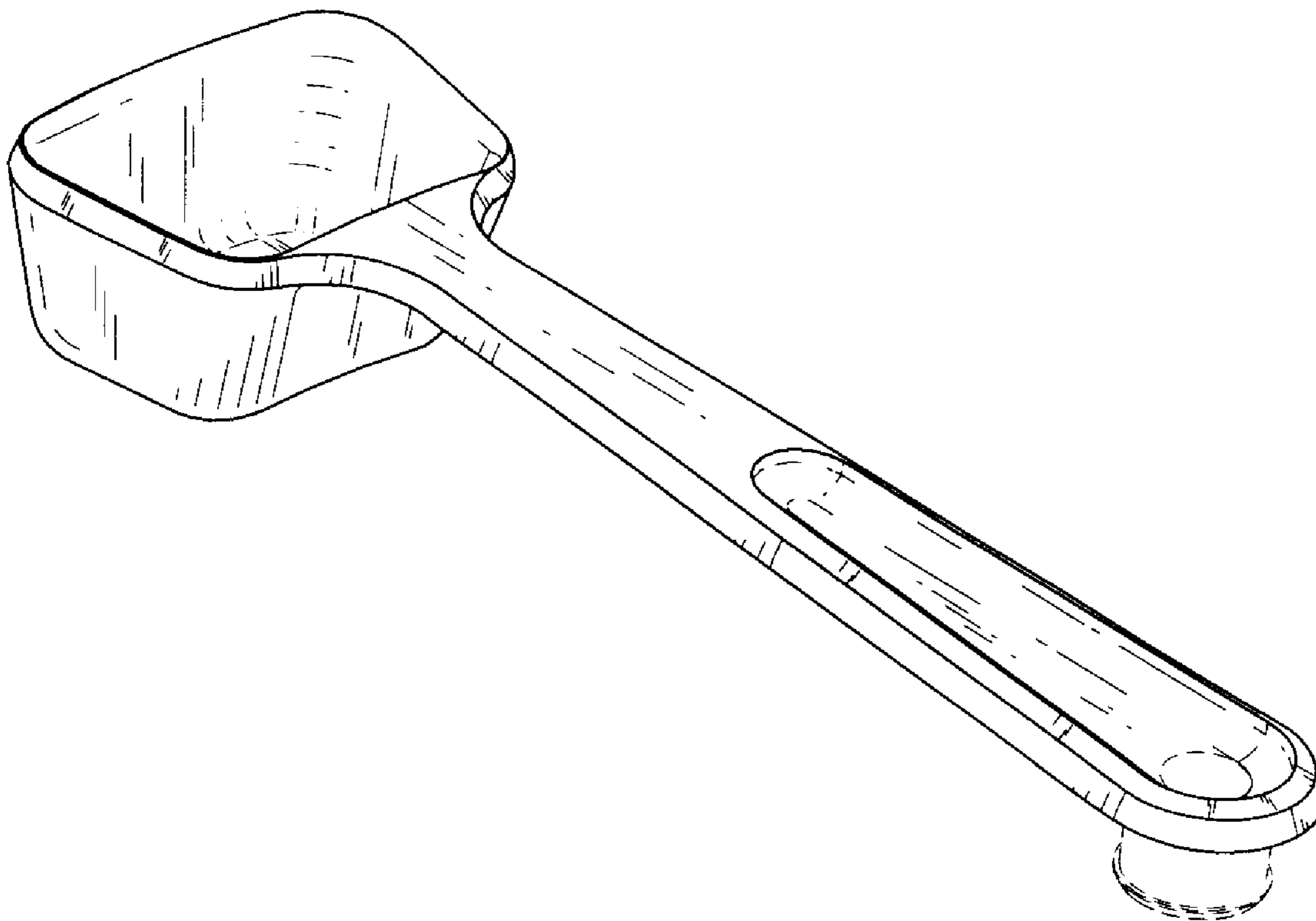
D167,580 S * 8/1952 McFarland D10/46.2
3,428,353 A * 2/1969 Jean 294/1.1
D304,537 S * 11/1989 McCarroll D10/46.2

FIG. 6 is an opposing end view thereof; and,

FIG. 7 is a bottom plan view thereof.

The broken lines in the figures are for illustrative purposes only and form no part of the claimed design.

1 Claim, 3 Drawing Sheets



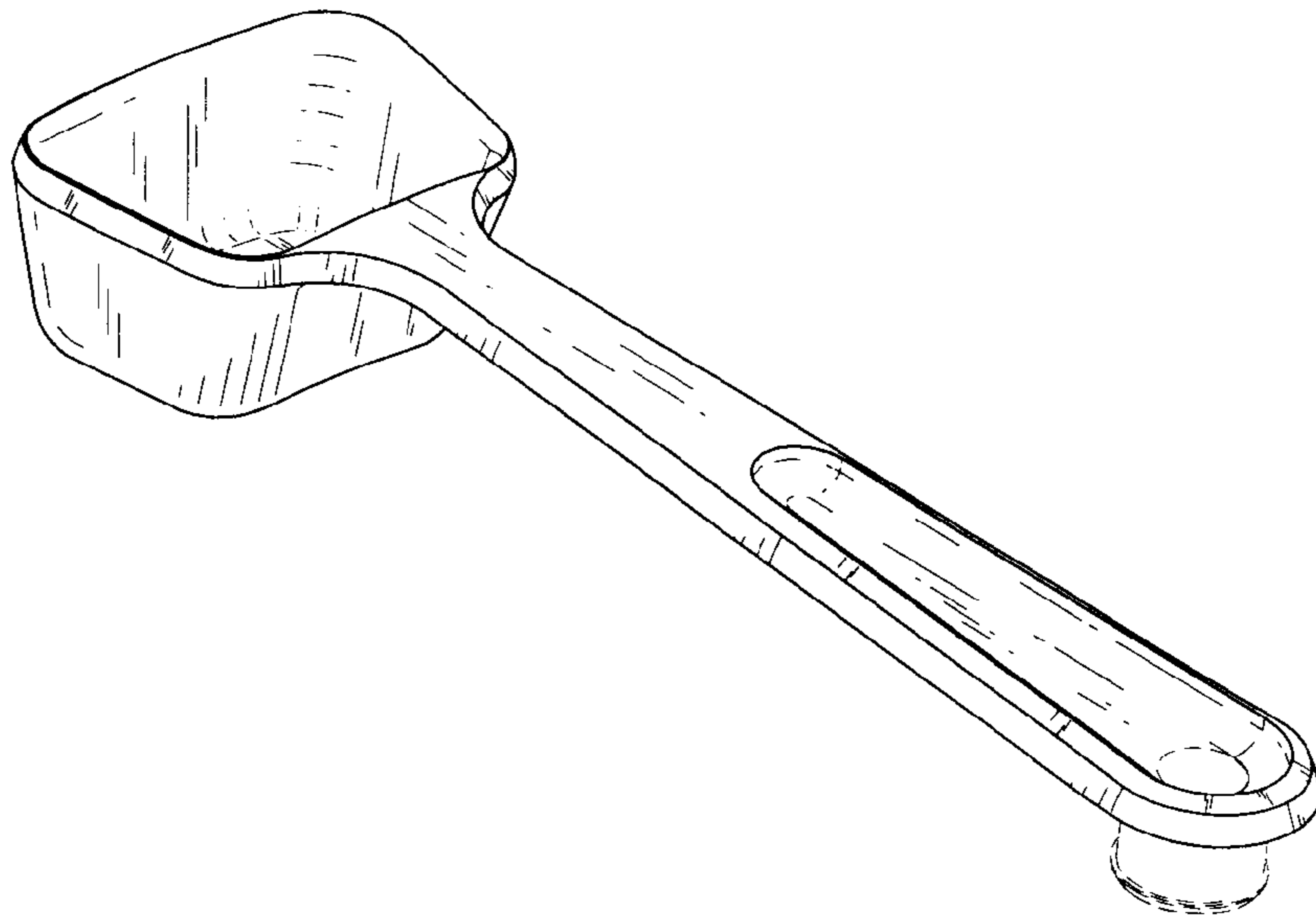


FIG. 1

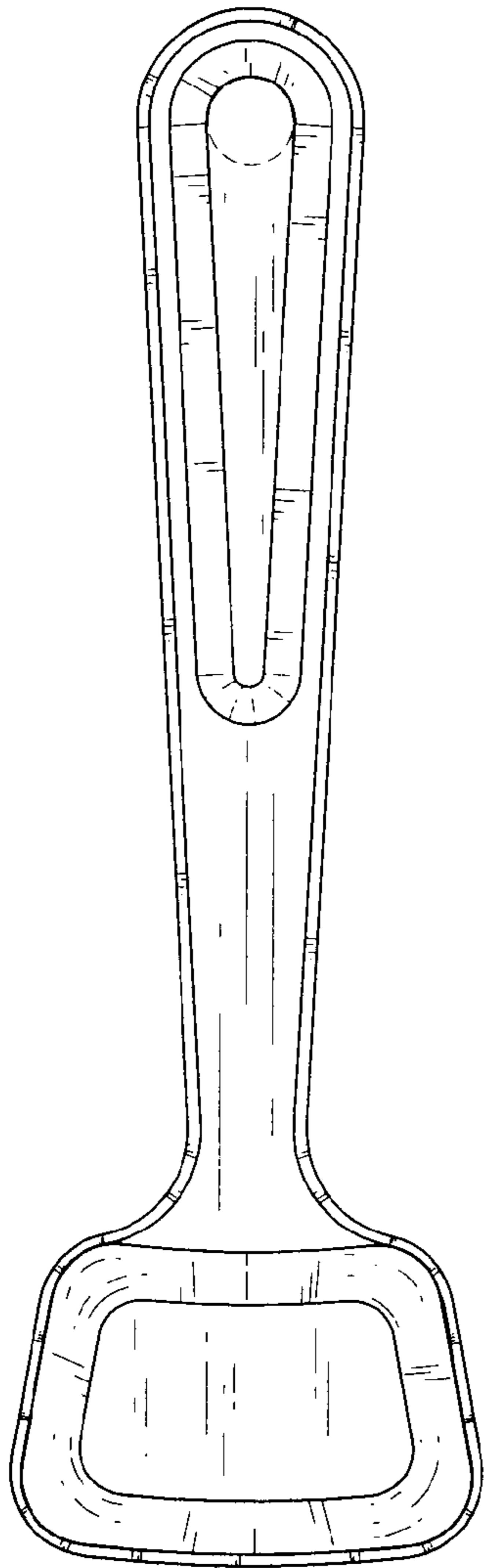


FIG. 2

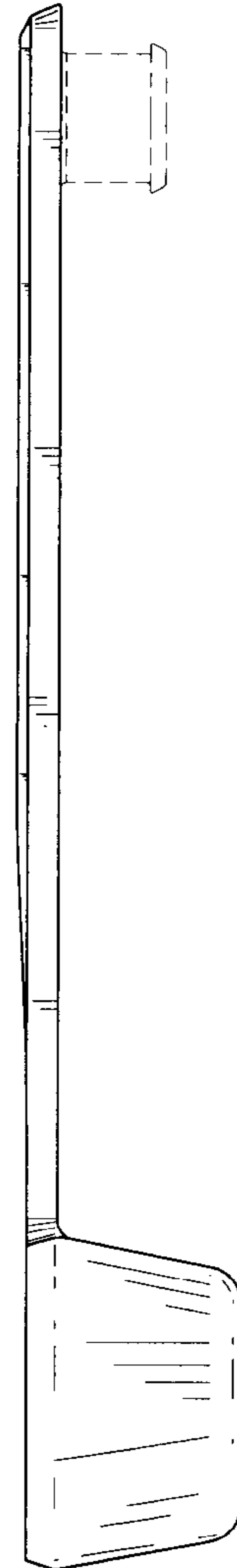


FIG. 4



FIG. 3

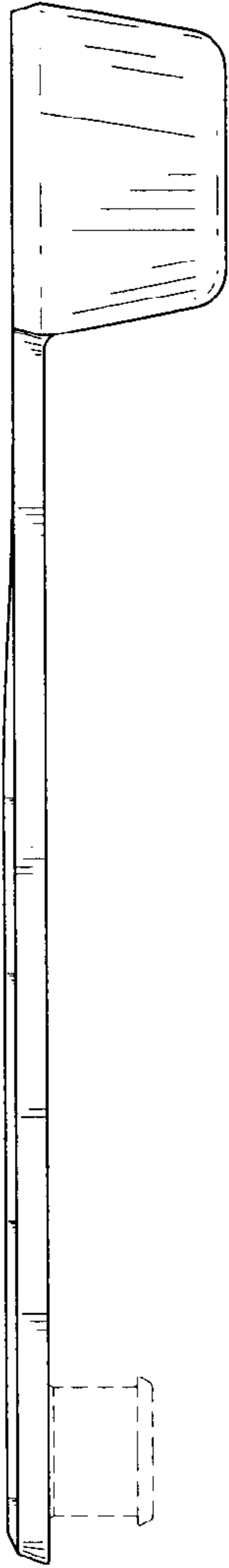


FIG. 5

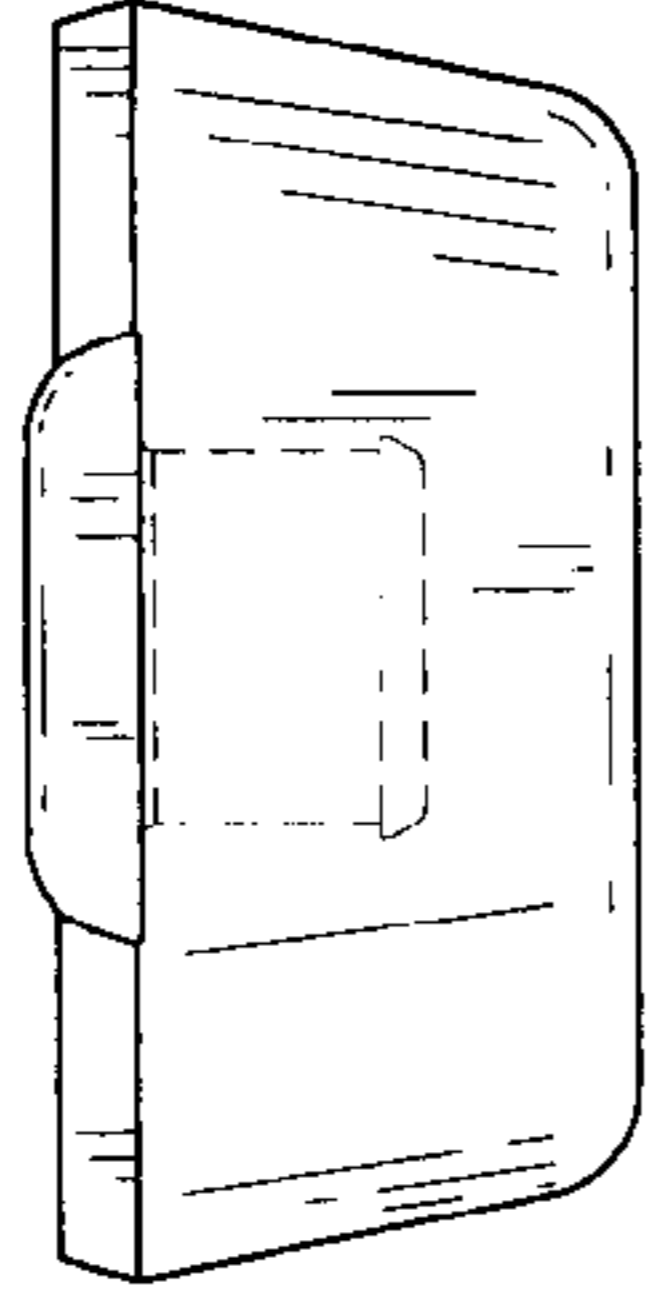


FIG. 6

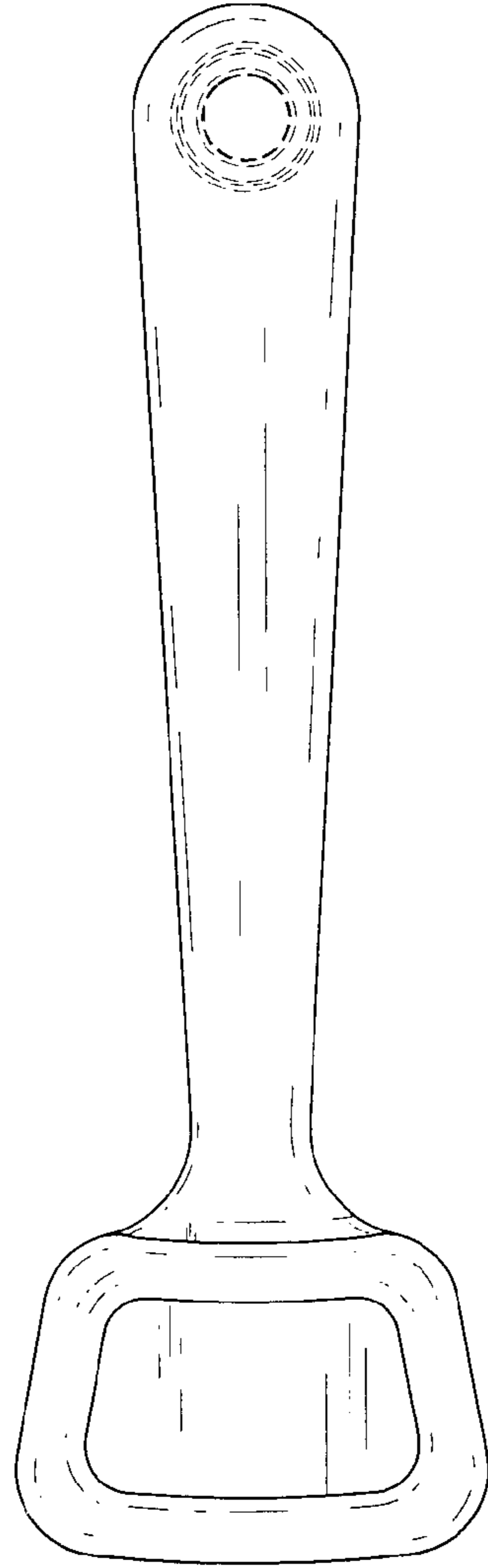


FIG. 7