



US00D519332S

(12) **United States Design Patent**  
**Sanchez**

(10) **Patent No.:** **US D519,332 S**

(45) **Date of Patent:** **\*\* Apr. 25, 2006**

(54) **COMBINED SPATULA AND TONG  
CULINARY UTENSIL**

(76) **Inventor:** **Leo D. Sanchez**, 3125 Mitchell St.,  
Selma, CA (US) 93662

(\*\*) **Term:** **14 Years**

(21) **Appl. No.:** **29/229,273**

(22) **Filed:** **May 6, 2005**

(51) **LOC (8) Cl.** ..... **07-06**

(52) **U.S. Cl.** ..... **D7/686**

(58) **Field of Classification Search** ..... D7/681-696,  
D7/393, 395; 294/3, 7, 8, 8.5, 10, 99.1, 99.2,  
294/118, 119

See application file for complete search history.

(56) **References Cited**

**U.S. PATENT DOCUMENTS**

3,596,965 A 8/1971 Woofter  
5,076,628 A 12/1991 Rader  
5,206,998 A 5/1993 Oriente et al.

D411,085 S 6/1999 Biber  
5,934,721 A 8/1999 Walde  
6,056,342 A 5/2000 Chan  
D458,520 S \* 6/2002 Rowe et al. .... D7/686  
D461,379 S \* 8/2002 Wang ..... D7/686  
D481,915 S \* 11/2003 Mezger-Boehringer ..... D7/686

\* cited by examiner

*Primary Examiner*—Terry A. Wallace

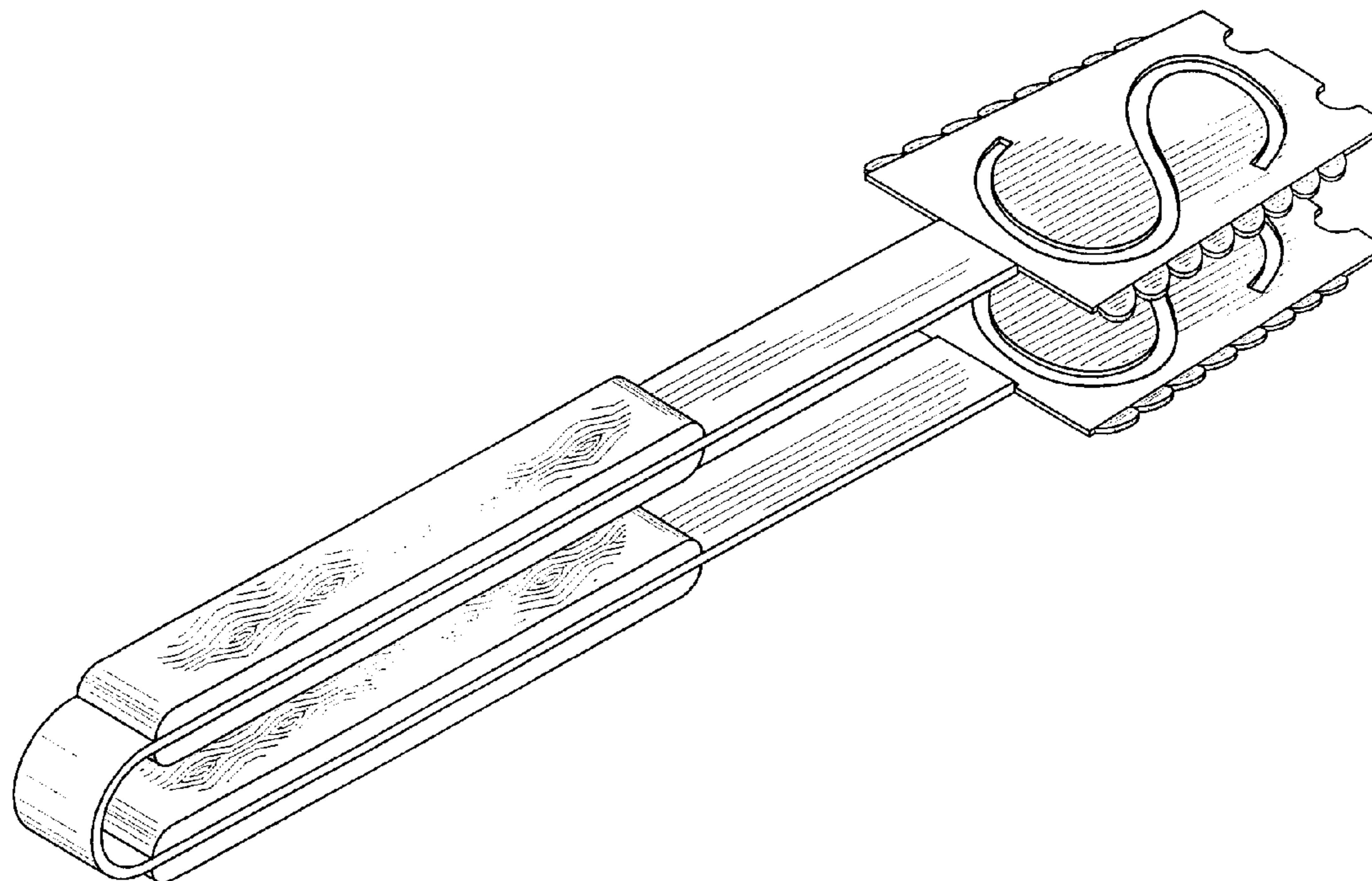
(57) **CLAIM**

The ornamental design for a combined spatula and tong culinary utensil, as shown and described.

**DESCRIPTION**

FIG. 1 is a front elevational view of a combined spatula and tong culinary utensil showing my new design;  
FIG. 2 is a side elevational view thereof;  
FIG. 3 is a top plan view thereof;  
FIG. 4 is a bottom plan view thereof; and,  
FIG. 5 is a perspective view thereof.

**1 Claim, 2 Drawing Sheets**



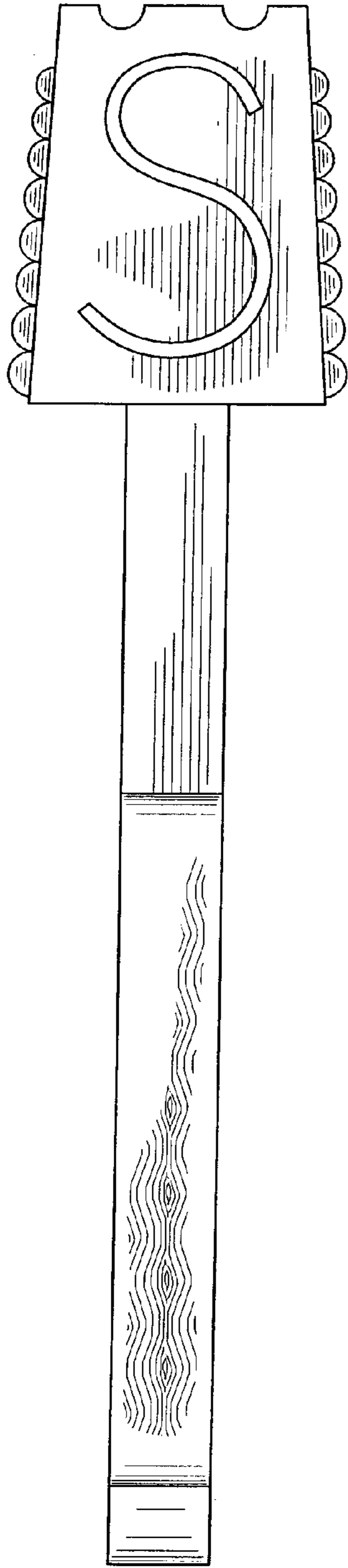


FIG. 1

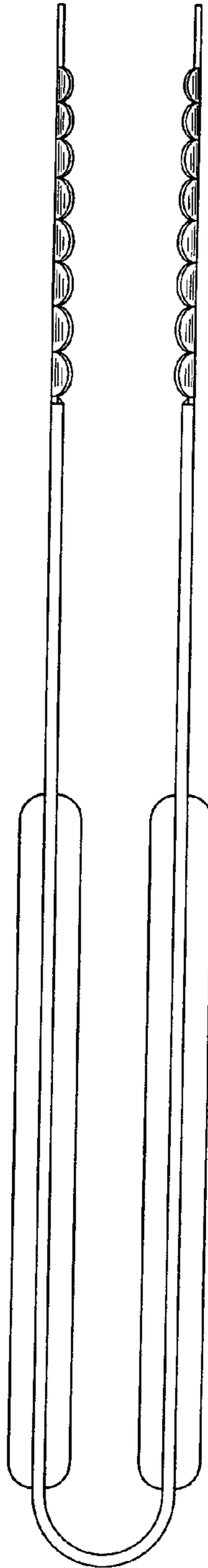


FIG. 2

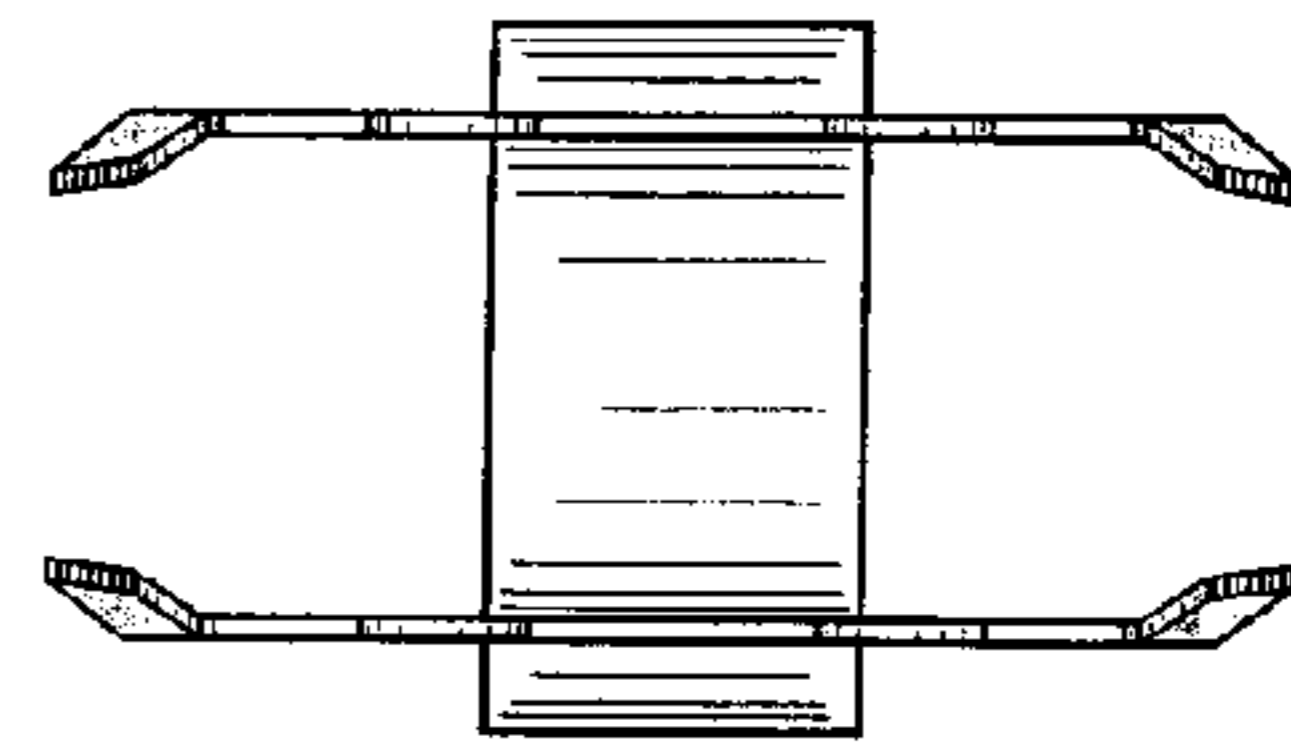


FIG. 3

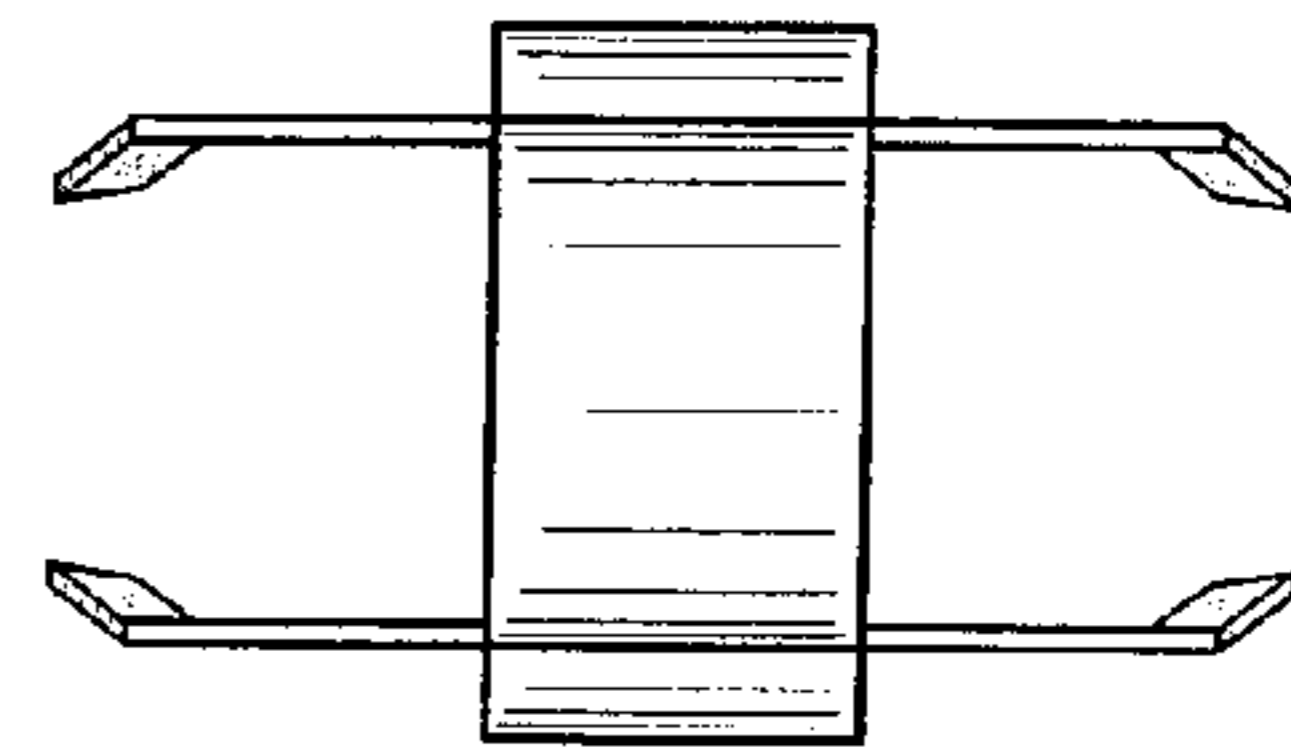


FIG. 4

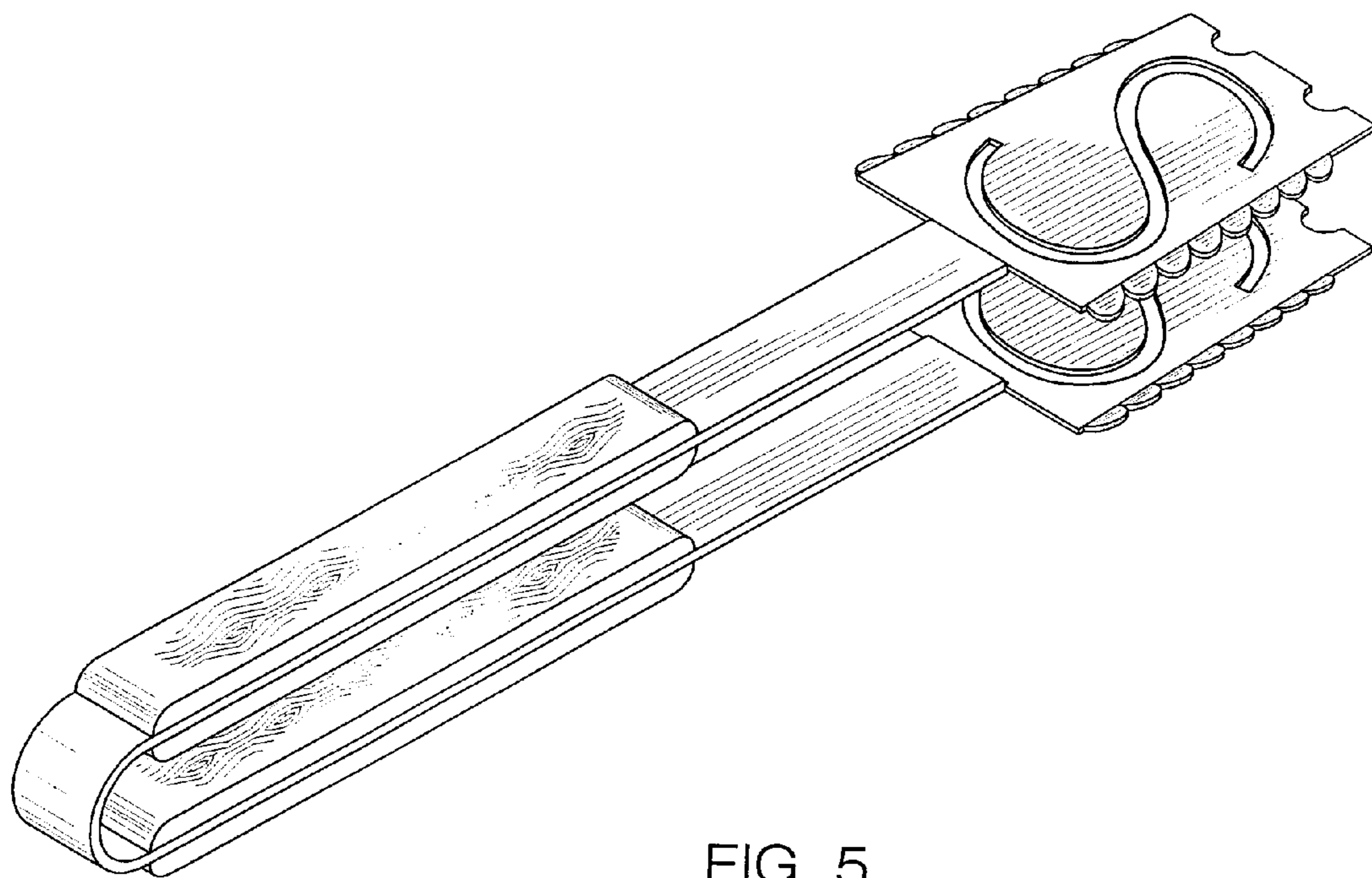


FIG. 5