



US00D519330S

(12) **United States Design Patent**
Bodum

(10) **Patent No.:** **US D519,330 S**

(45) **Date of Patent:** **** Apr. 25, 2006**

(54) **GRINDER FOR SALT OR PEPPER**

(75) Inventor: **Jørgen Bodum**, St. Niklausen (CH)

(73) Assignee: **Pi-Design AG**, Triengen (CH)

(**) Term: **14 Years**

(21) Appl. No.: **29/224,979**

(22) Filed: **Mar. 9, 2005**

(30) **Foreign Application Priority Data**

Sep. 10, 2004 (DK) DA 2004 00281

(51) **LOC (8) Cl.** **07-04**

(52) **U.S. Cl.** **D7/679; D9/504**

(58) **Field of Classification Search** D7/679,
D7/590-598, 372-374, 383, 384; D9/501-505;
241/168, 169, 169.1, 273.1-273.5, 262, 286
See application file for complete search history.

(56) **References Cited**

U.S. PATENT DOCUMENTS

D258,257 S * 2/1981 Bounds D7/679
D259,090 S * 5/1981 Cowan D7/596

D336,728 S * 6/1993 Ancona et al. D7/591
6,164,574 A * 12/2000 Weibel 241/168
D451,806 S * 12/2001 Stalder D9/503
6,663,031 B1 * 12/2003 Henderson et al. 241/169.1

* cited by examiner

Primary Examiner—Terry A. Wallace

(74) *Attorney, Agent, or Firm*—Cowan, Liebowitz & Latman, P.C.

(57) **CLAIM**

The ornamental design for a grinder for salt or pepper, as shown and described.

DESCRIPTION

FIG. 1 is a perspective view of the grinder for salt or pepper showing my design thereof;

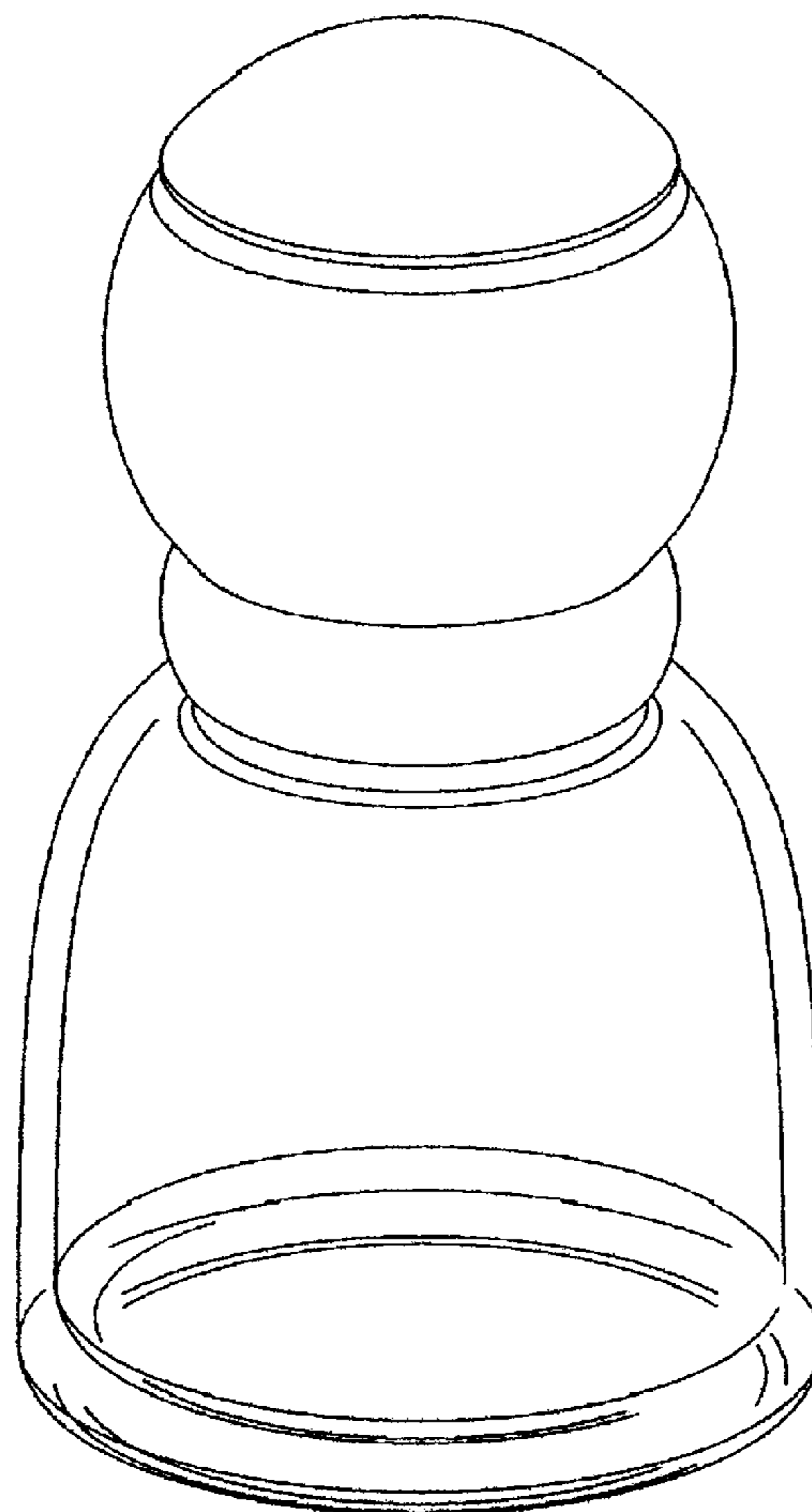
FIG. 2 is a front view thereof, the rear view being identical thereto;

FIG. 3 is a right side view thereof, the left side view being identical thereto;

FIG. 4 is a top view thereof; and,

FIG. 5 is a bottom view thereof.

1 Claim, 5 Drawing Sheets



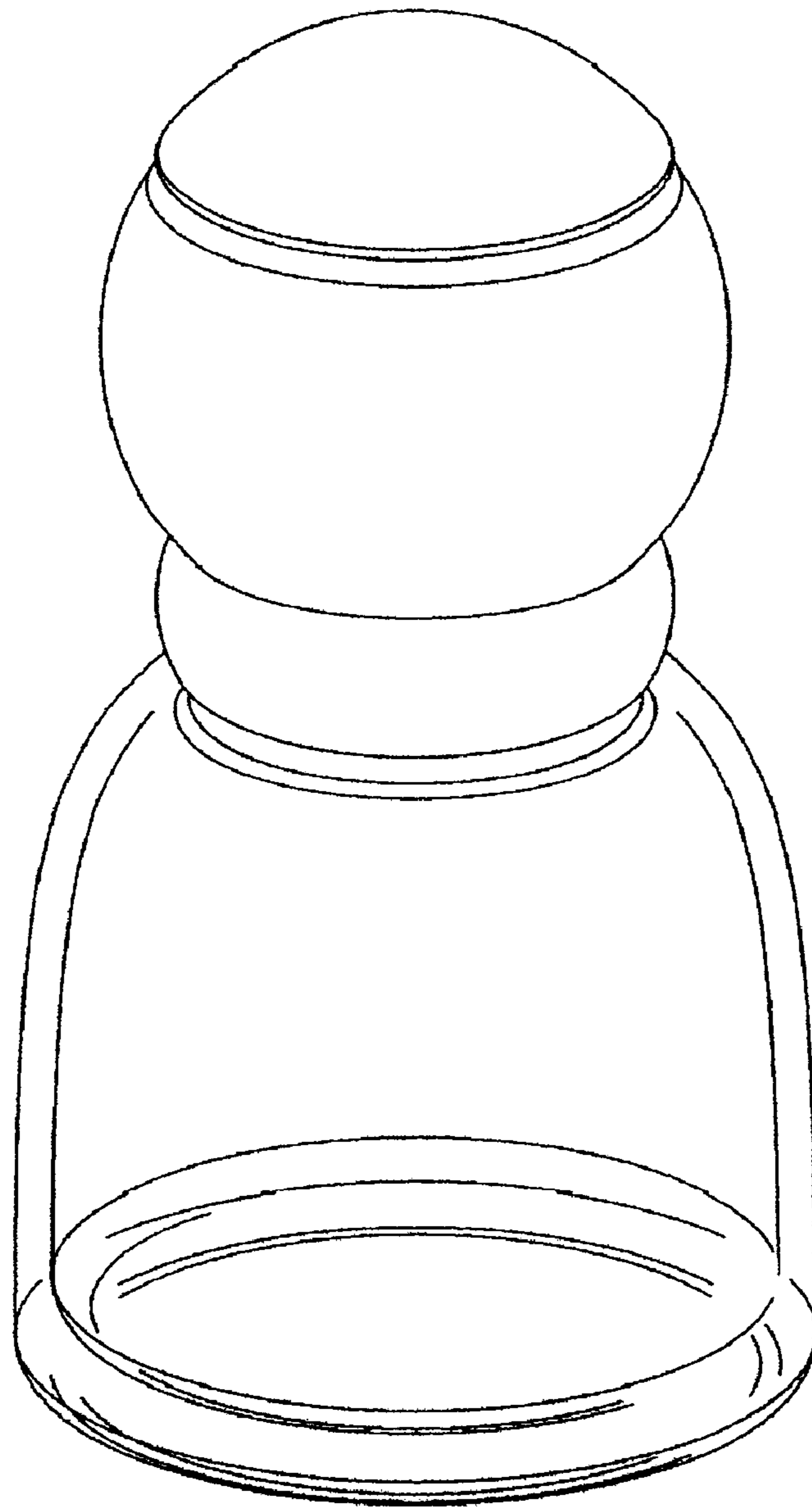


FIG. 1

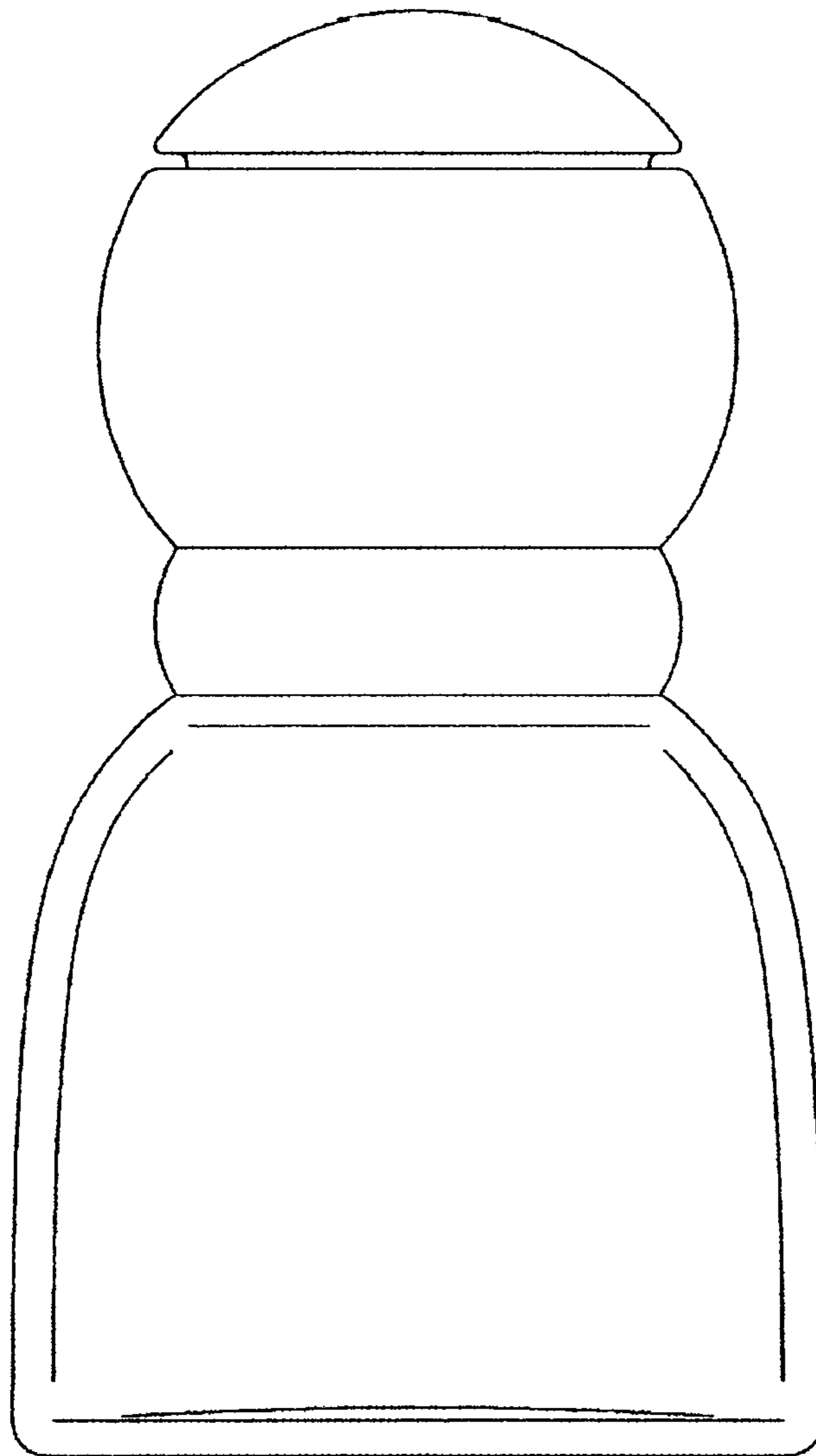


FIG. 2

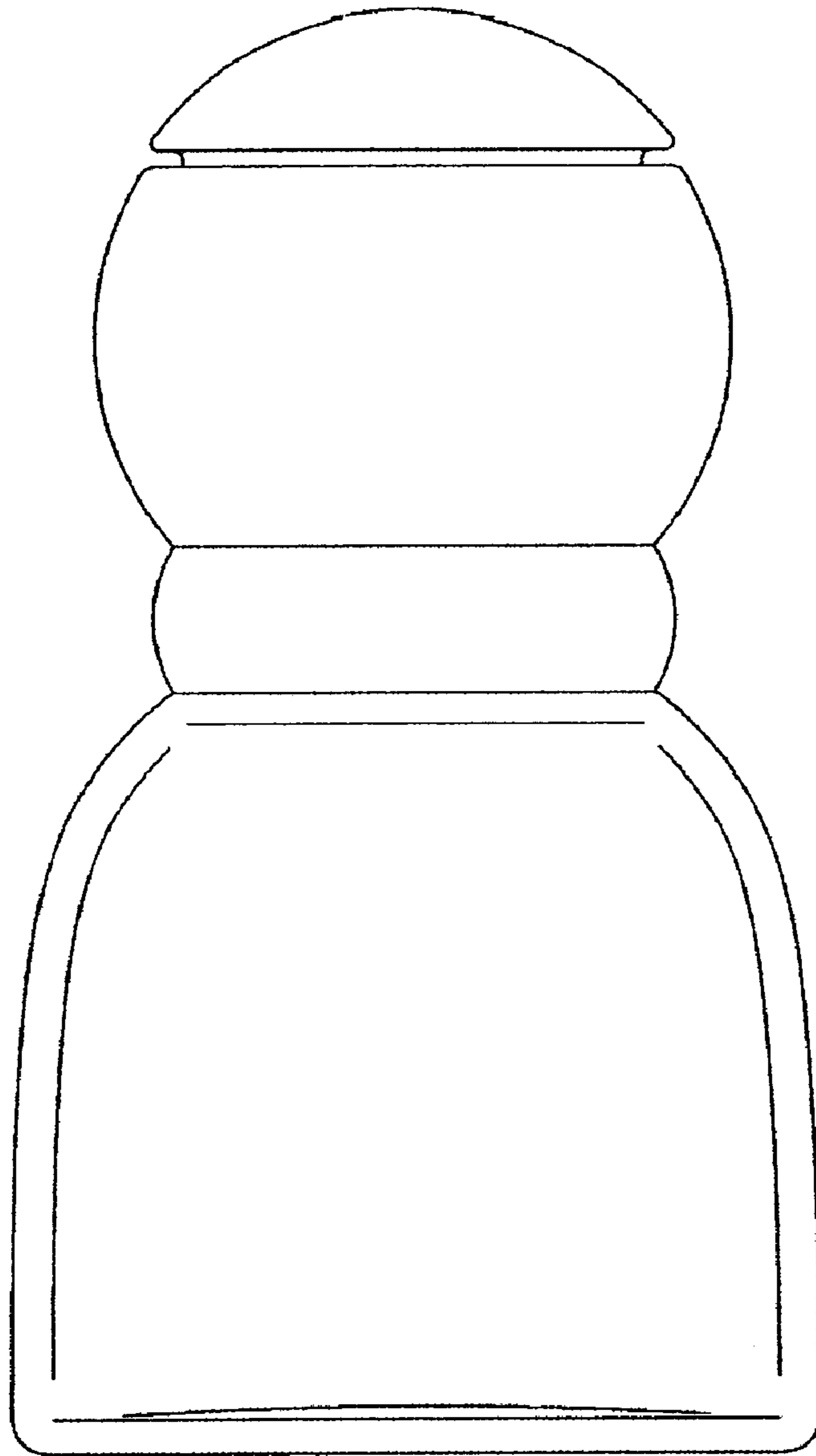


FIG. 3

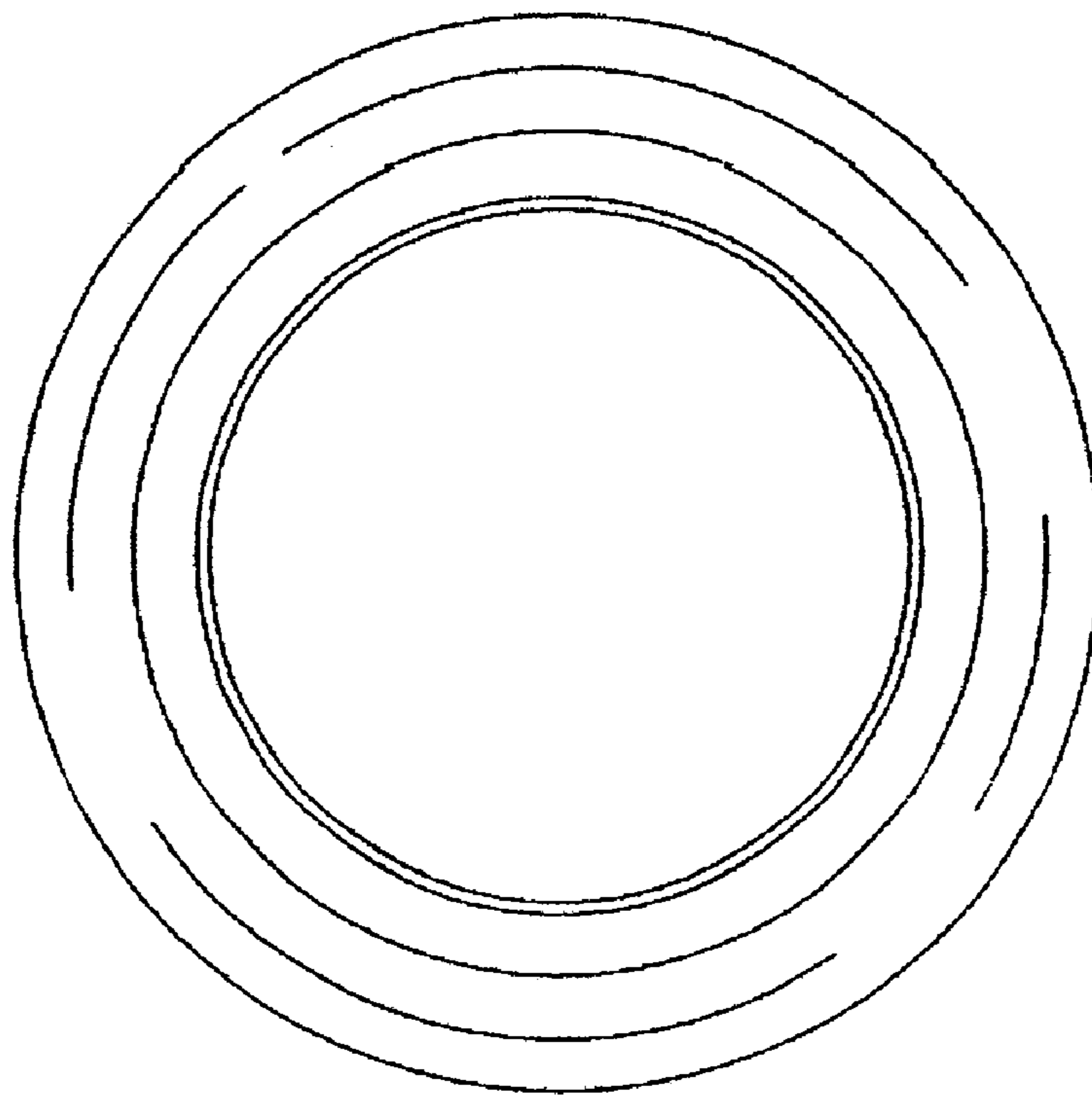


FIG. 4

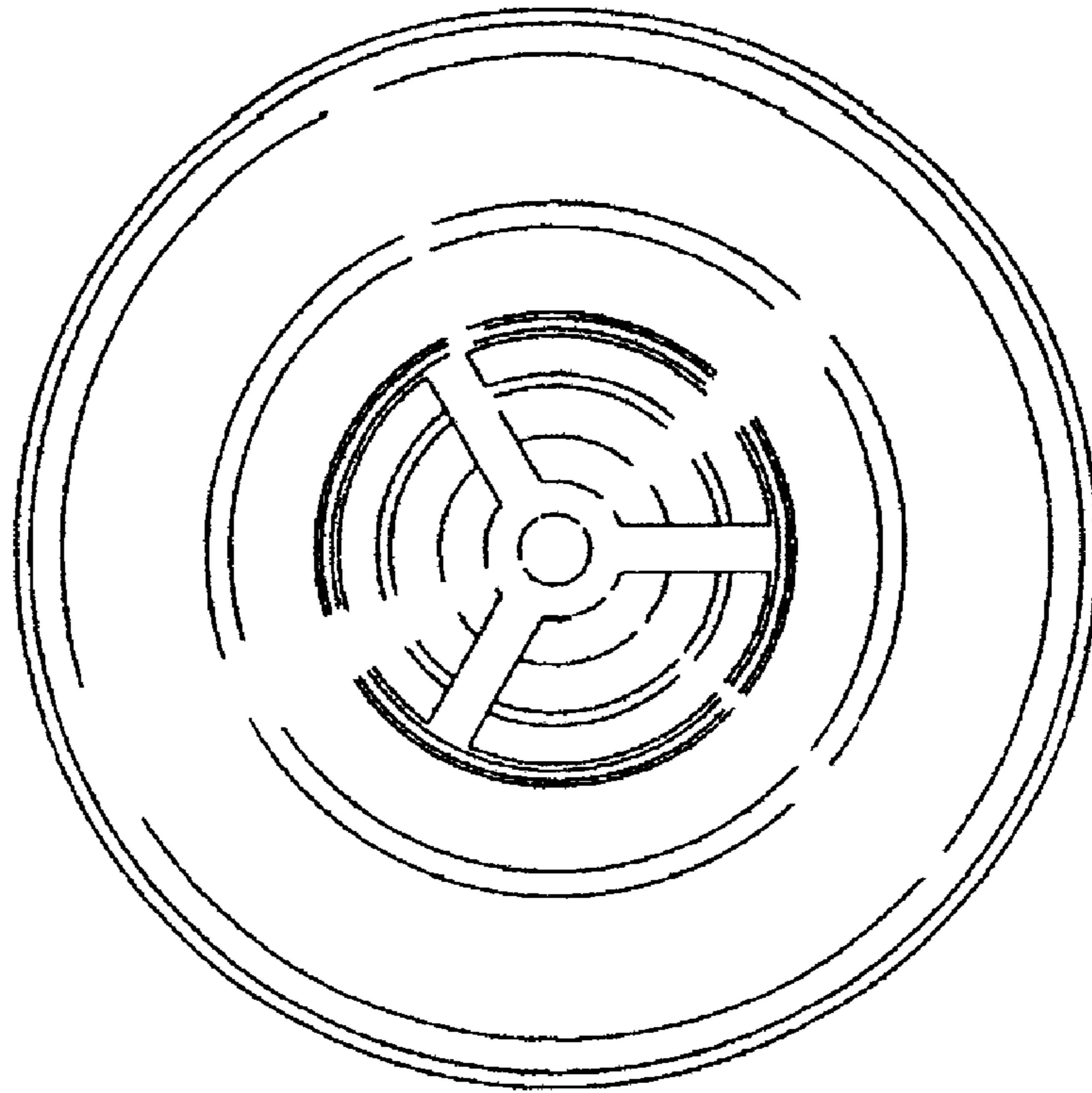


FIG. 5