



US00D519327S

(12) **United States Design Patent** (10) **Patent No.:** **US D519,327 S**
Tucker et al. (45) **Date of Patent:** **** *Apr. 25, 2006**

(54) **CONTAINER FOR FOOD**

(75) Inventors: **Edward Tucker**, Romeoville, IL (US);
Lawrence John Racana, Clarendon Hills, IL (US)

(73) Assignee: **The Glad Products Company**,
Oakland, CA (US)

(*) Notice: This patent is subject to a terminal disclaimer.

(**) Term: **14 Years**

(21) Appl. No.: **29/146,677**

(22) Filed: **Aug. 14, 2001**

(51) **LOC (8) Cl.** **07-01**

(52) **U.S. Cl.** **D7/629; D9/428**

(58) **Field of Classification Search** D7/601,
D7/602, 629, 538-549; D9/424-429; 220/574-575,
220/669-676, 780-805

See application file for complete search history.

(56) **References Cited**

U.S. PATENT DOCUMENTS

D241,399 S	*	9/1976	Christian	D7/540
4,621,670 A	*	11/1986	Yuen	220/801
4,809,868 A	*	3/1989	Pomroy	220/793
D309,554 S	*	7/1990	Meisner	D7/629
D411,714 S	*	6/1999	Wilson et al.	D7/629
D411,741 S	*	6/1999	Wilson et al.	D9/425
D419,394 S	*	1/2000	Wilson et al.	D7/629

* cited by examiner

Primary Examiner—Terry A. Wallace

(74) *Attorney, Agent, or Firm*—Thomas C. Feix

(57) **CLAIM**

The ornamental design for a container for food, as shown and described.

DESCRIPTION

FIG. 1 is a top perspective view of a container for food showing our new design;

FIG. 2 is a front elevational view thereof;

FIG. 3 is a right side elevational view thereof;

FIG. 4 is a rear elevational view thereof;

FIG. 5 is a left side elevational view thereof;

FIG. 6 is a top plan view thereof;

FIG. 7; is a bottom plan view thereof;

FIG. 8 is a top perspective view of a container top; shown separately for clarity of illustration;

FIG. 9 is a front elevational view thereof;

FIG. 10 is a right side elevational view thereof;

FIG. 11 is a rear elevational view thereof;

FIG. 12 is a left side elevational view thereof;

FIG. 13 is a top plan view thereof;

FIG. 14 is a bottom plan view thereof;

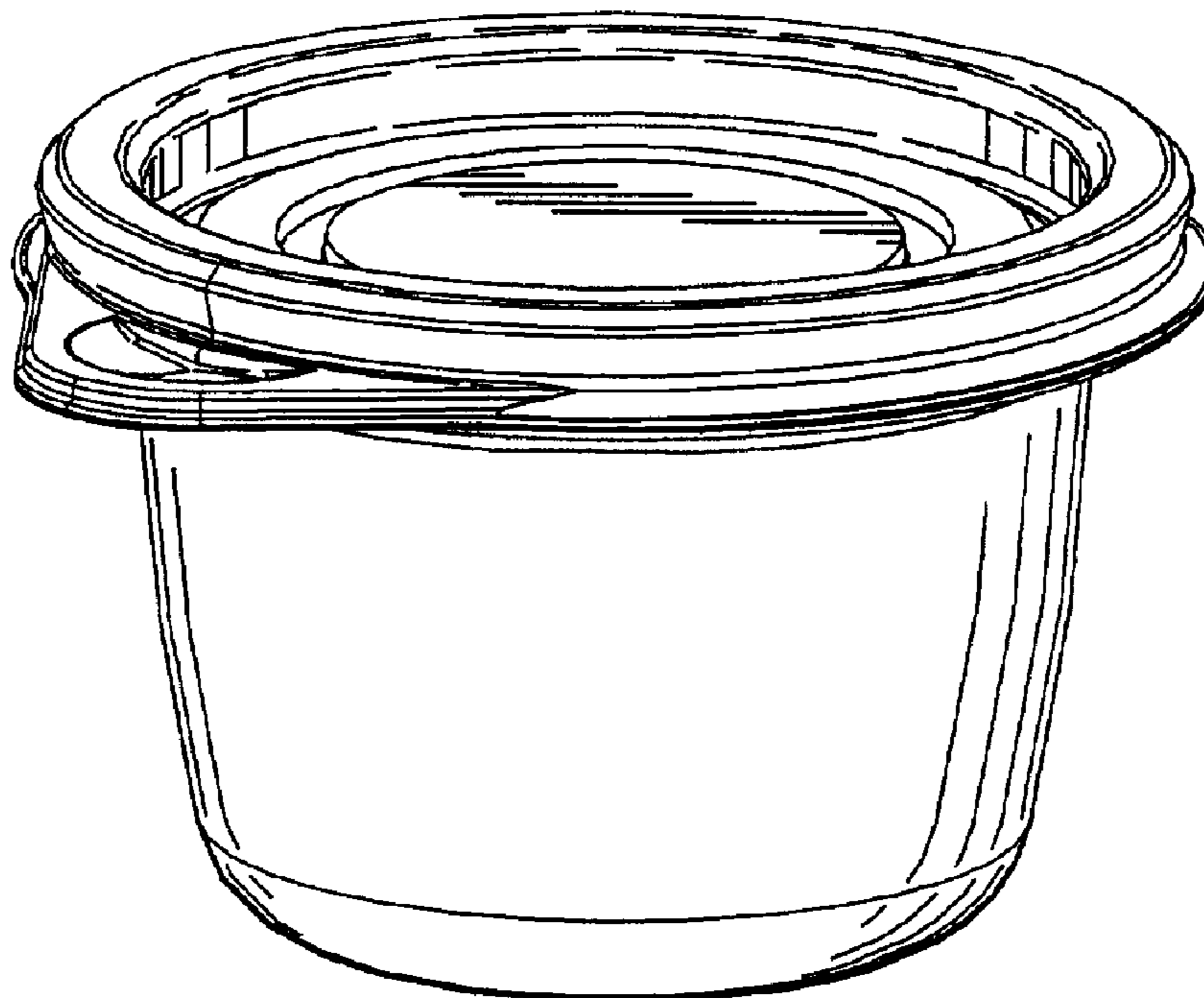
FIG. 15 is a top perspective view of a container bottom; shown separately for clarity of illustration;

FIG. 16 is a front elevational view thereof, each of the rear, left and right elevational views being a mirror image thereof;

FIG. 17 is a top plan view thereof; and,

FIG. 18 is a bottom plan view thereof.

1 Claim, 7 Drawing Sheets



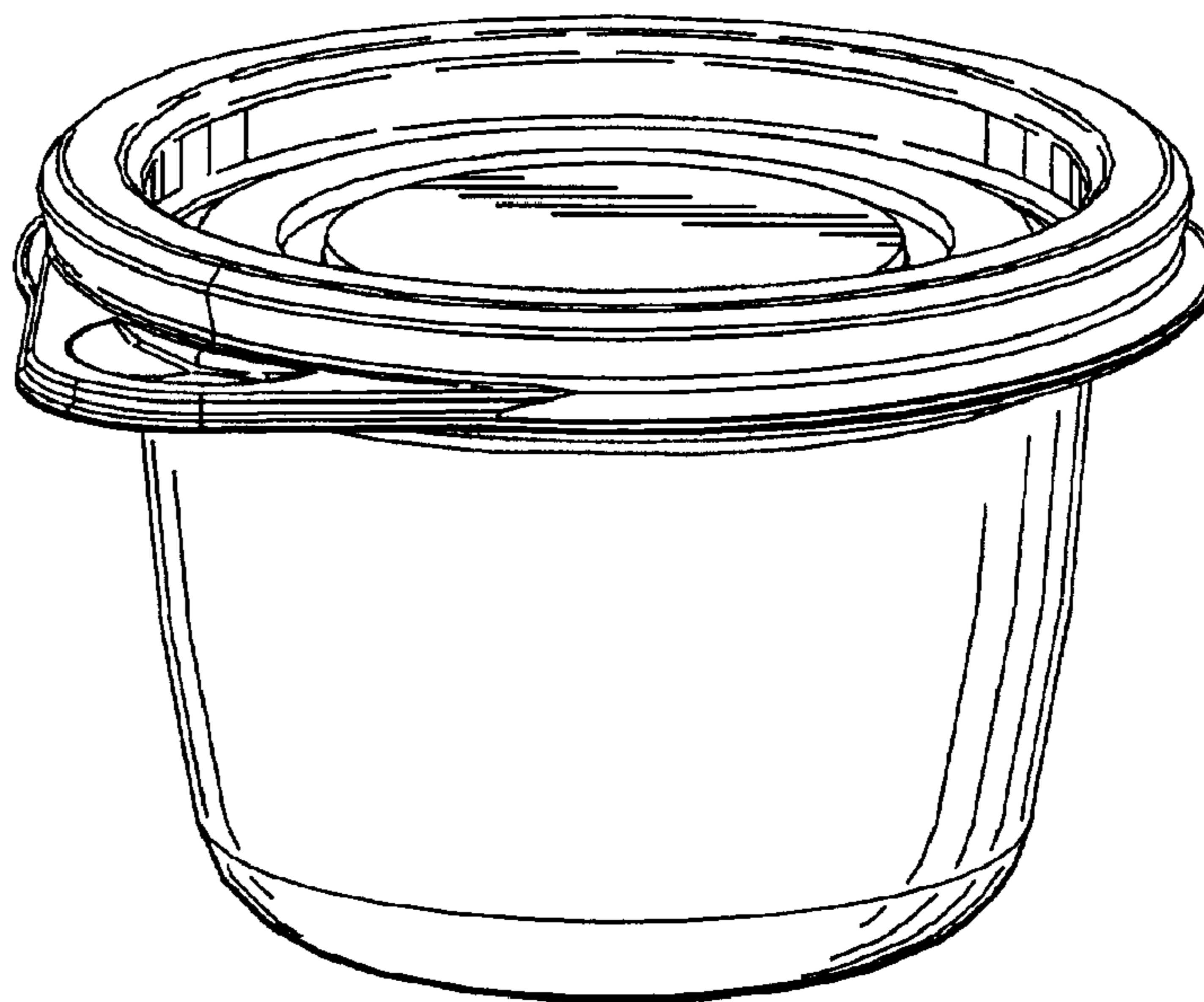


FIG. -1

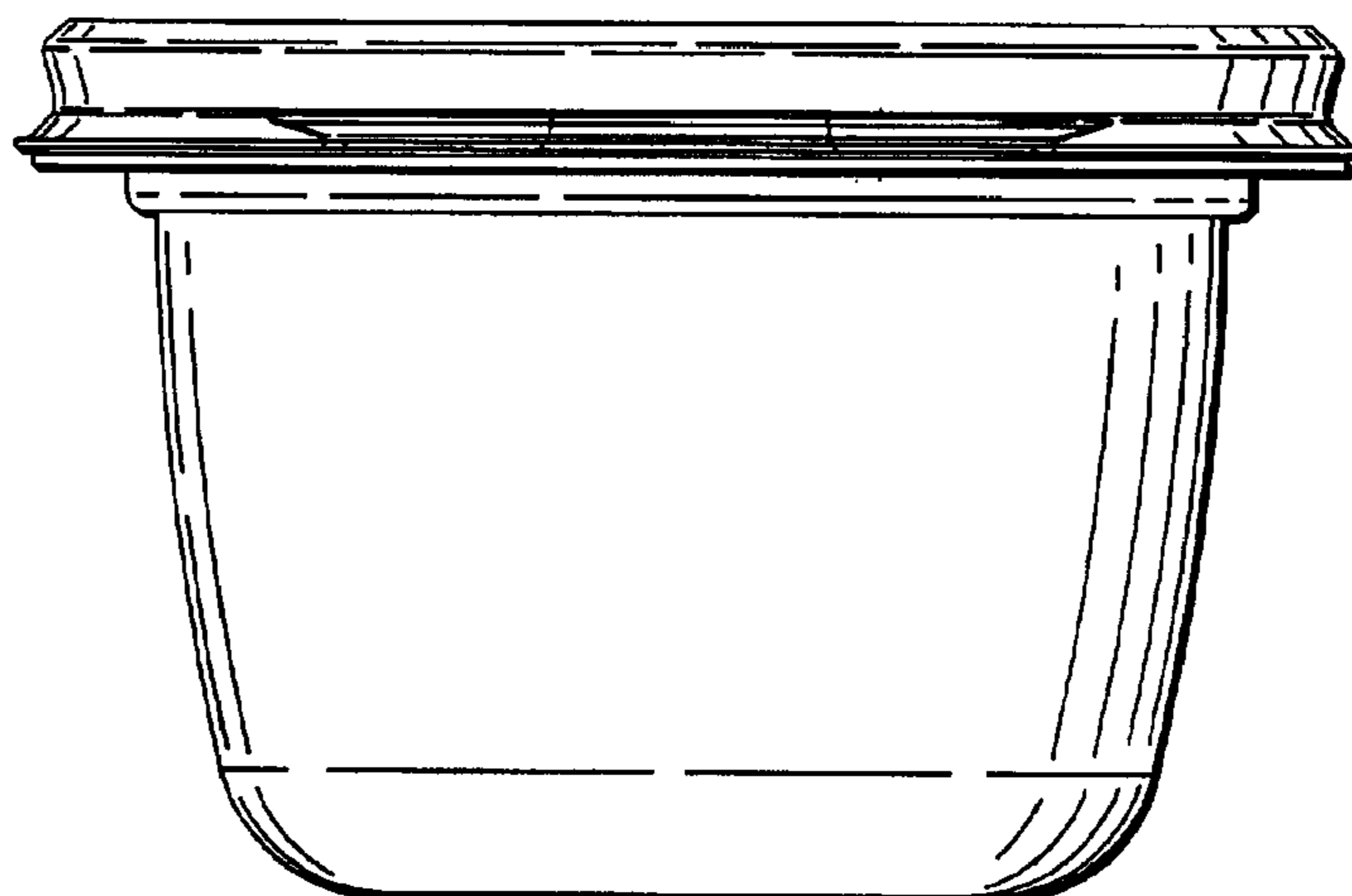


FIG. -2

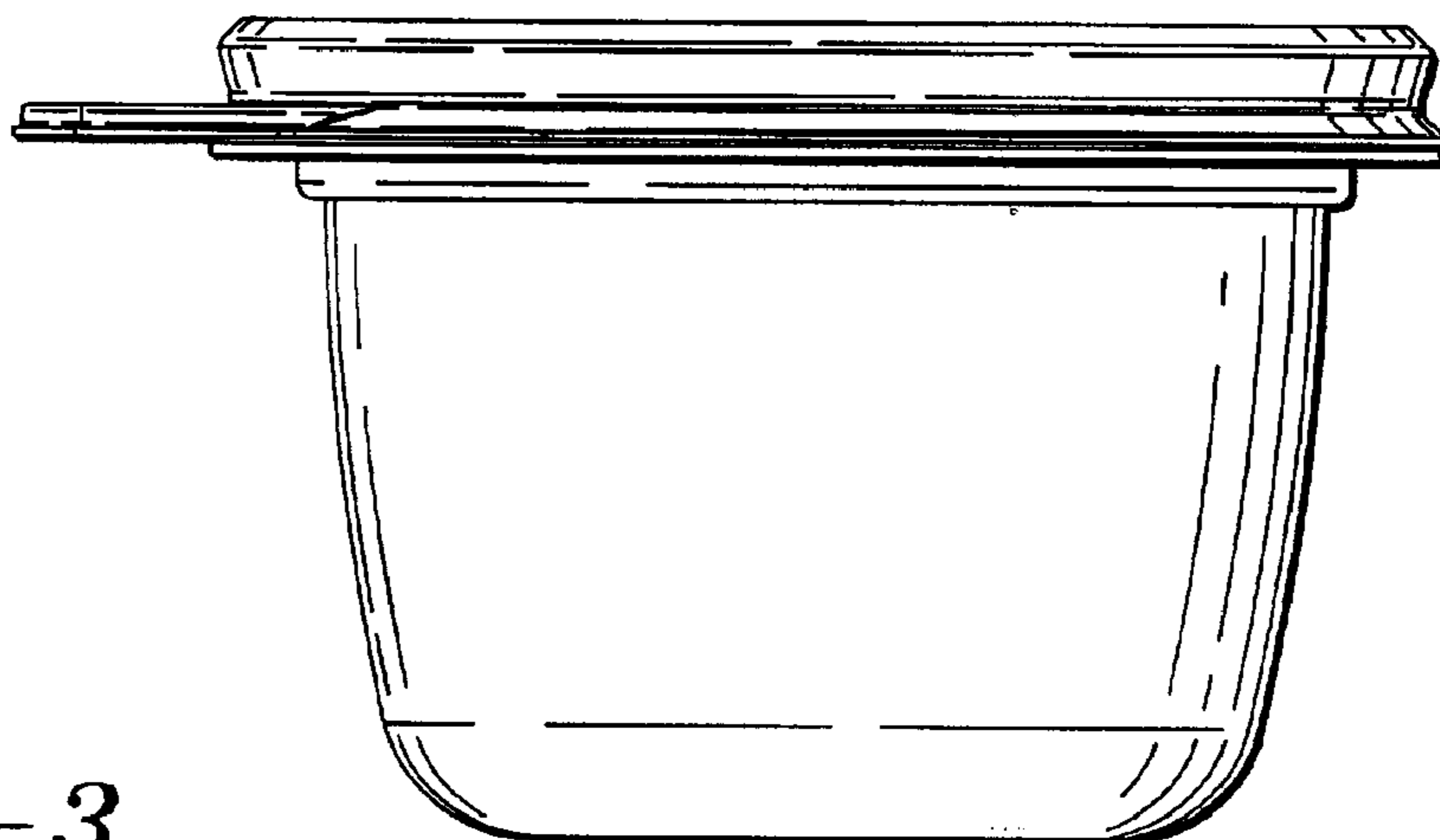


FIG. -3

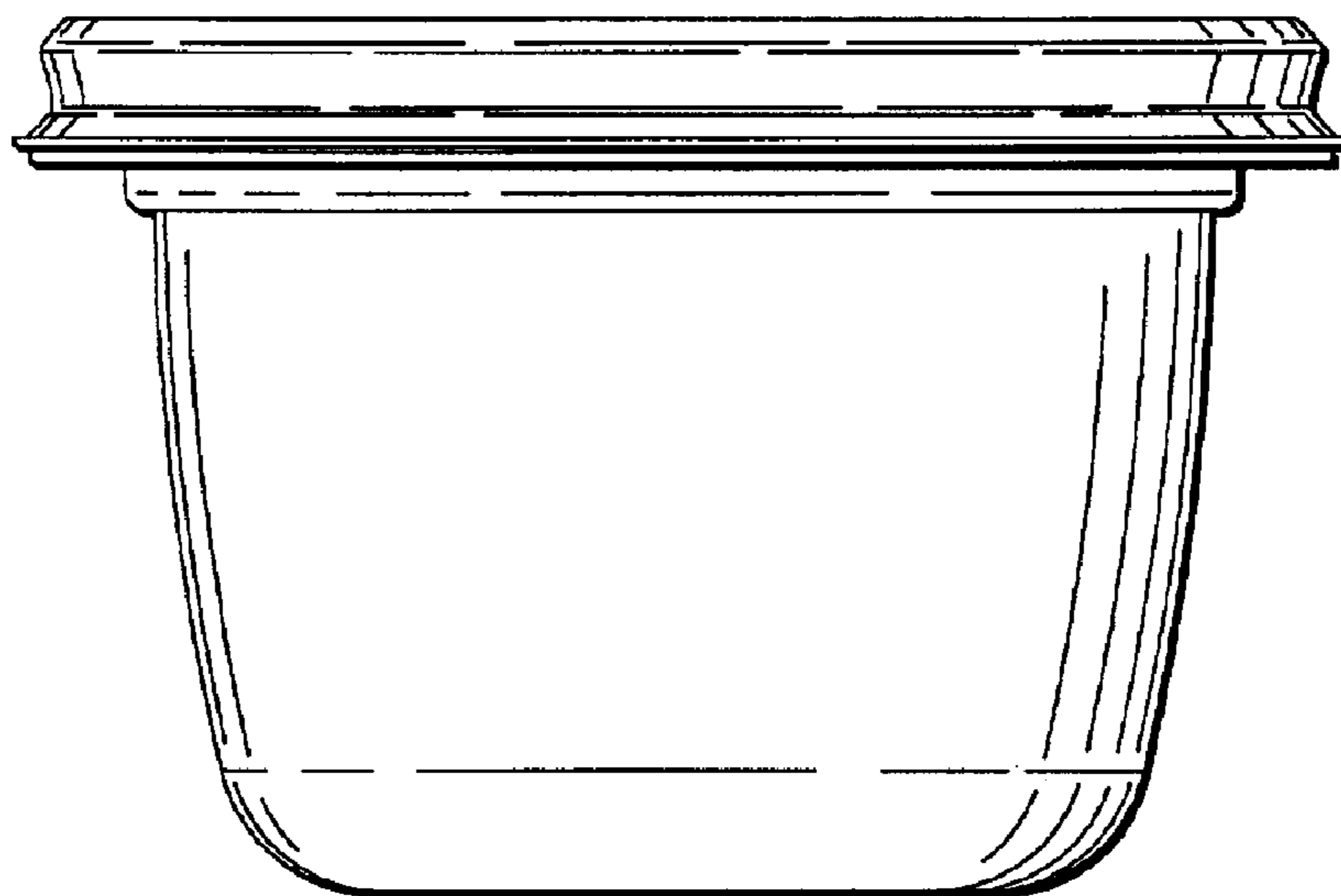


FIG. -4

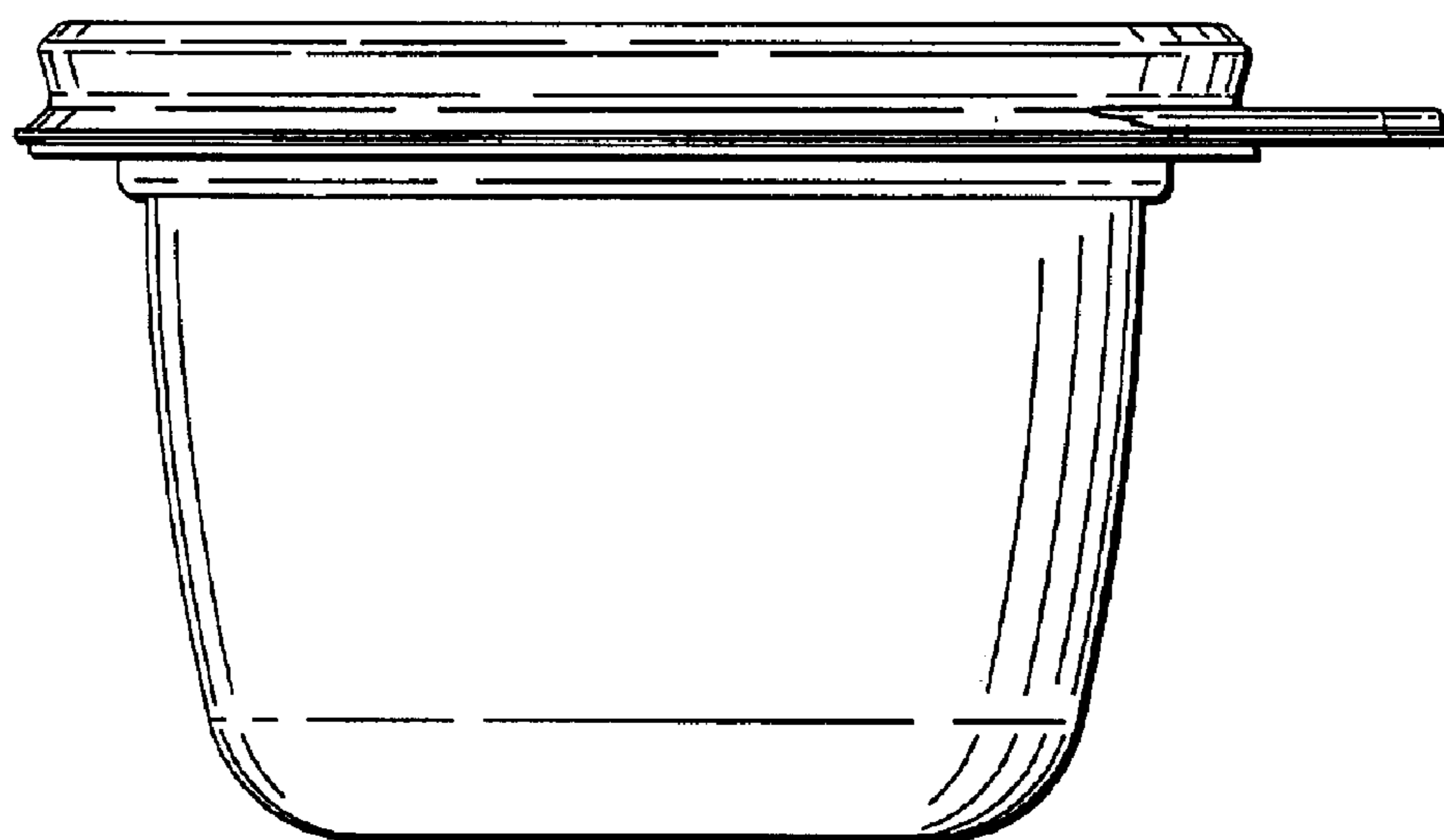


FIG. -5

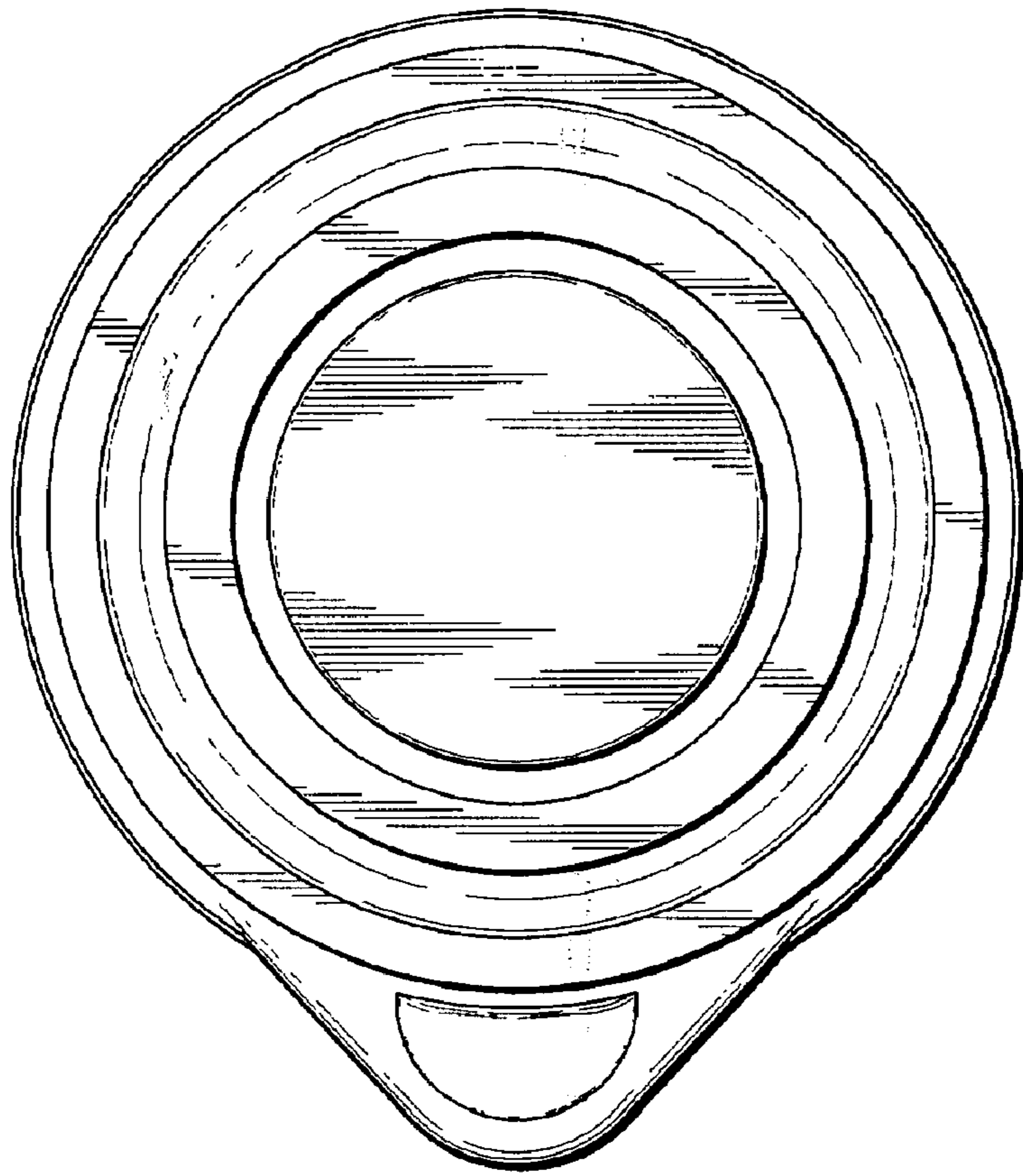


FIG. -6

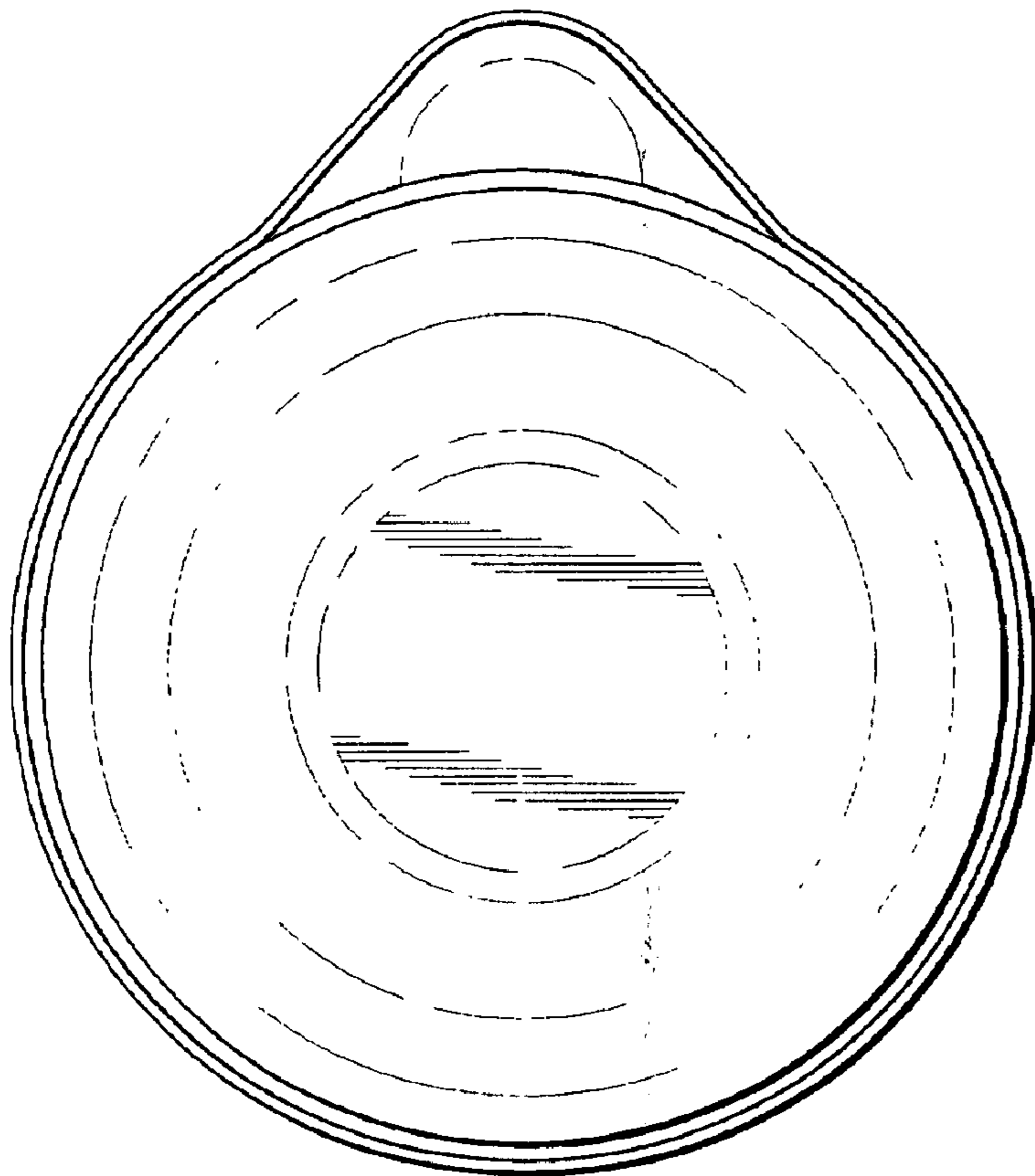


FIG. -7

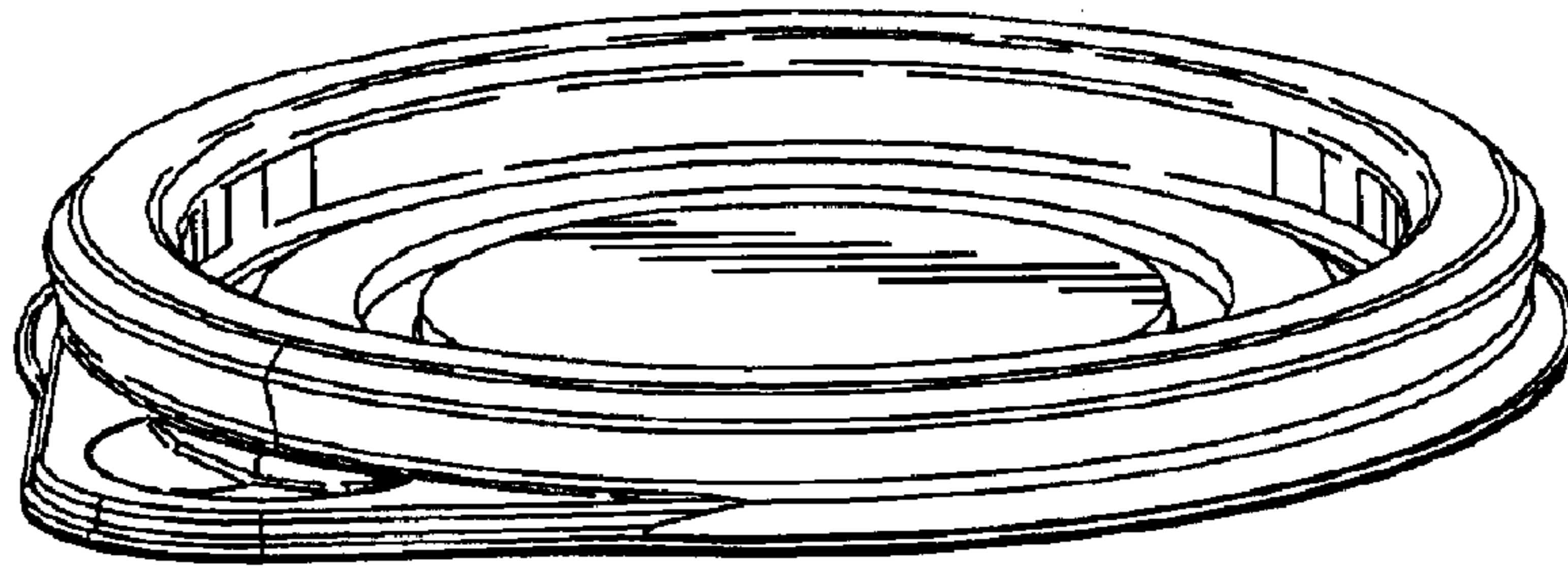


FIG. - 8

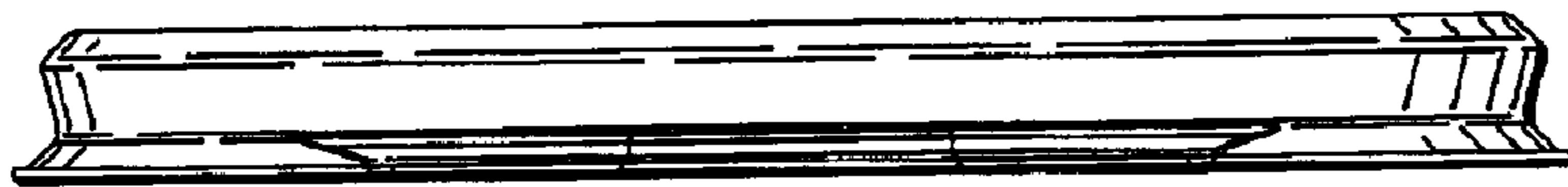


FIG. - 9

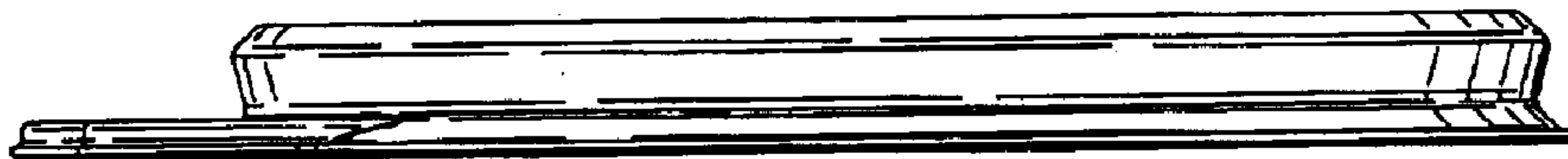


FIG. - 10

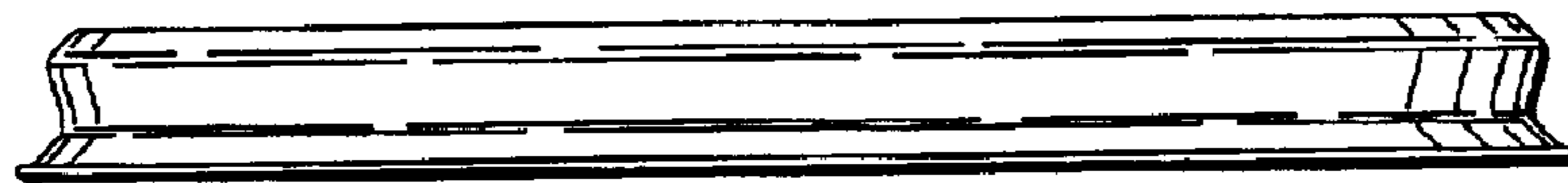


FIG. - 11

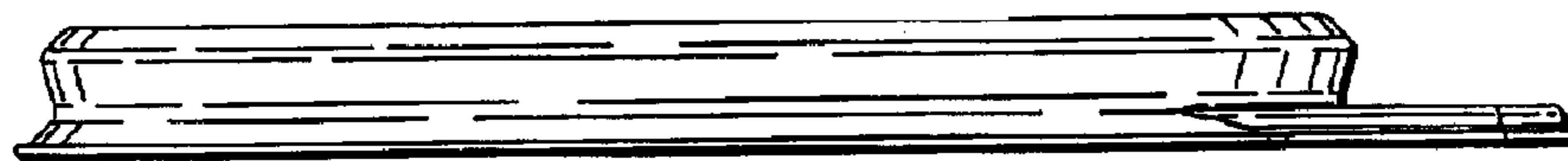


FIG. - 12

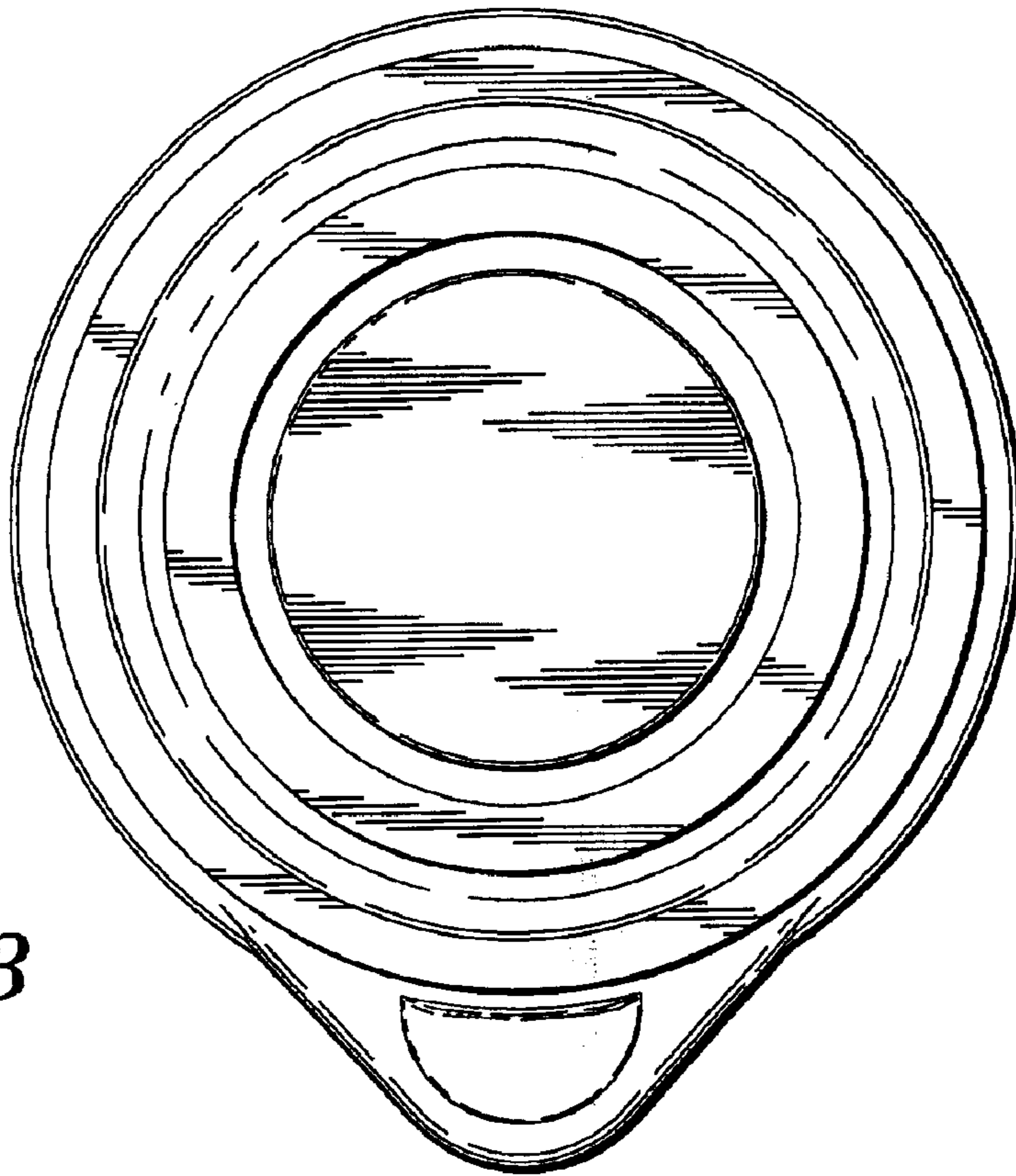


FIG. - 13

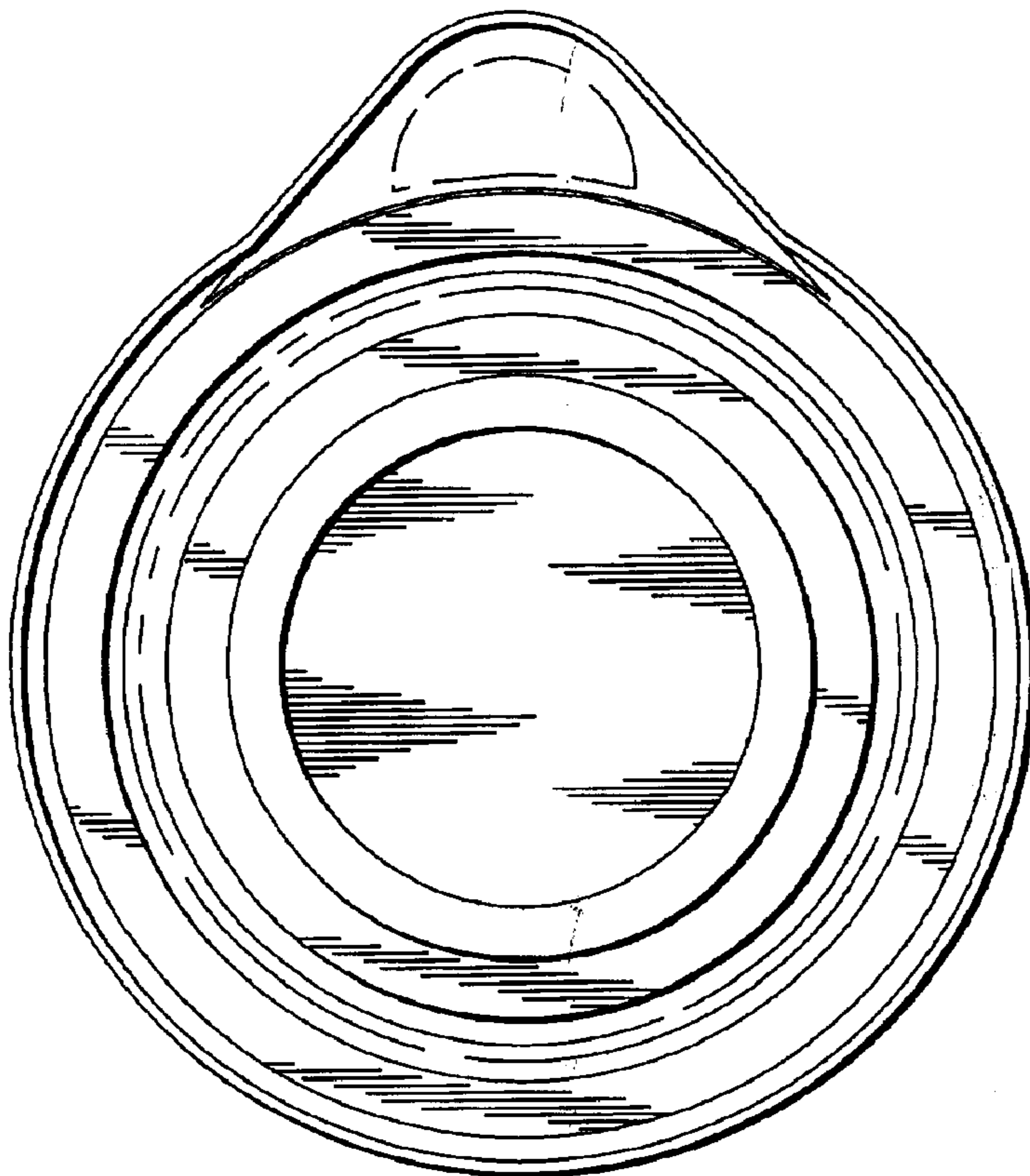


FIG. - 14

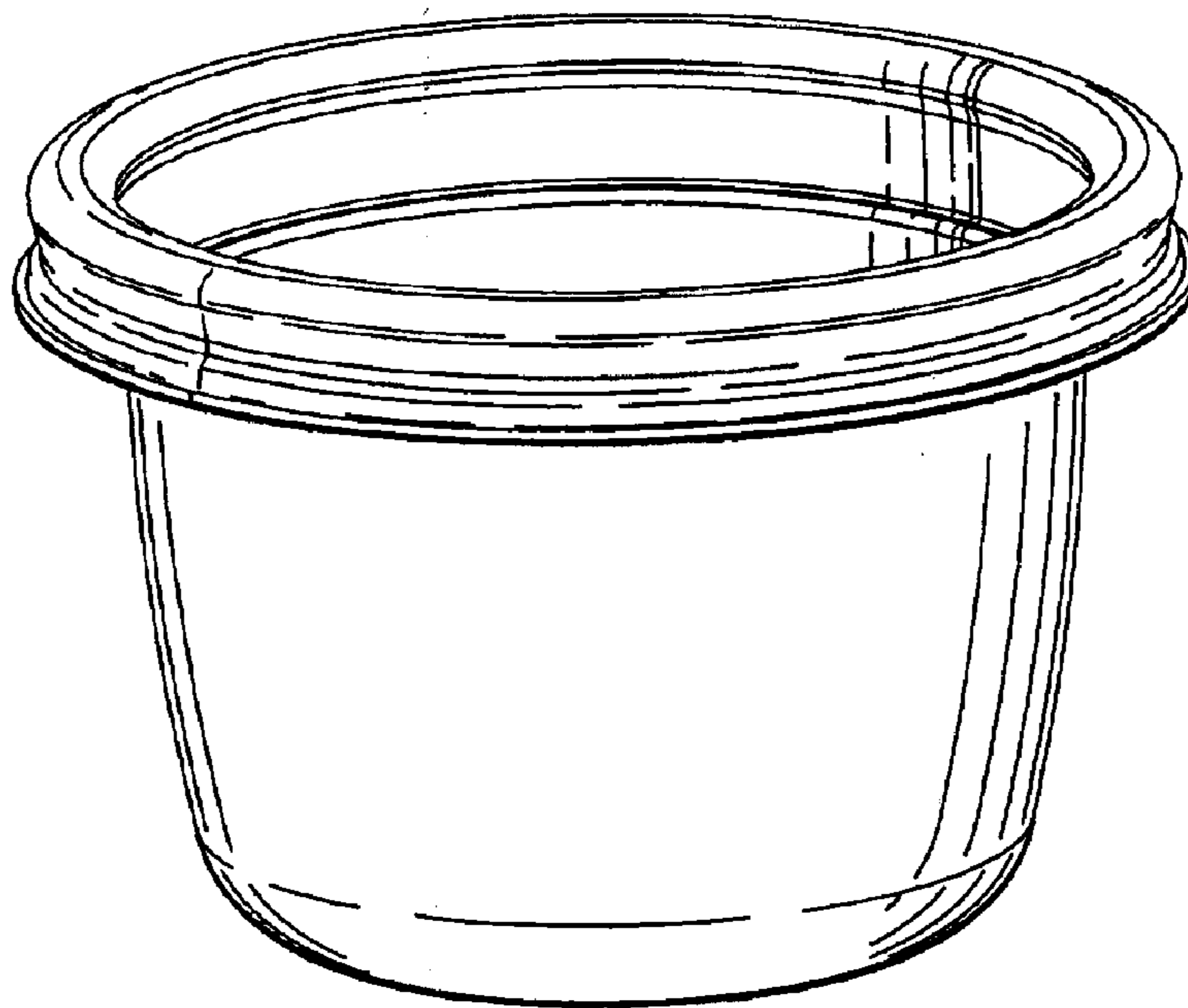


FIG. -15

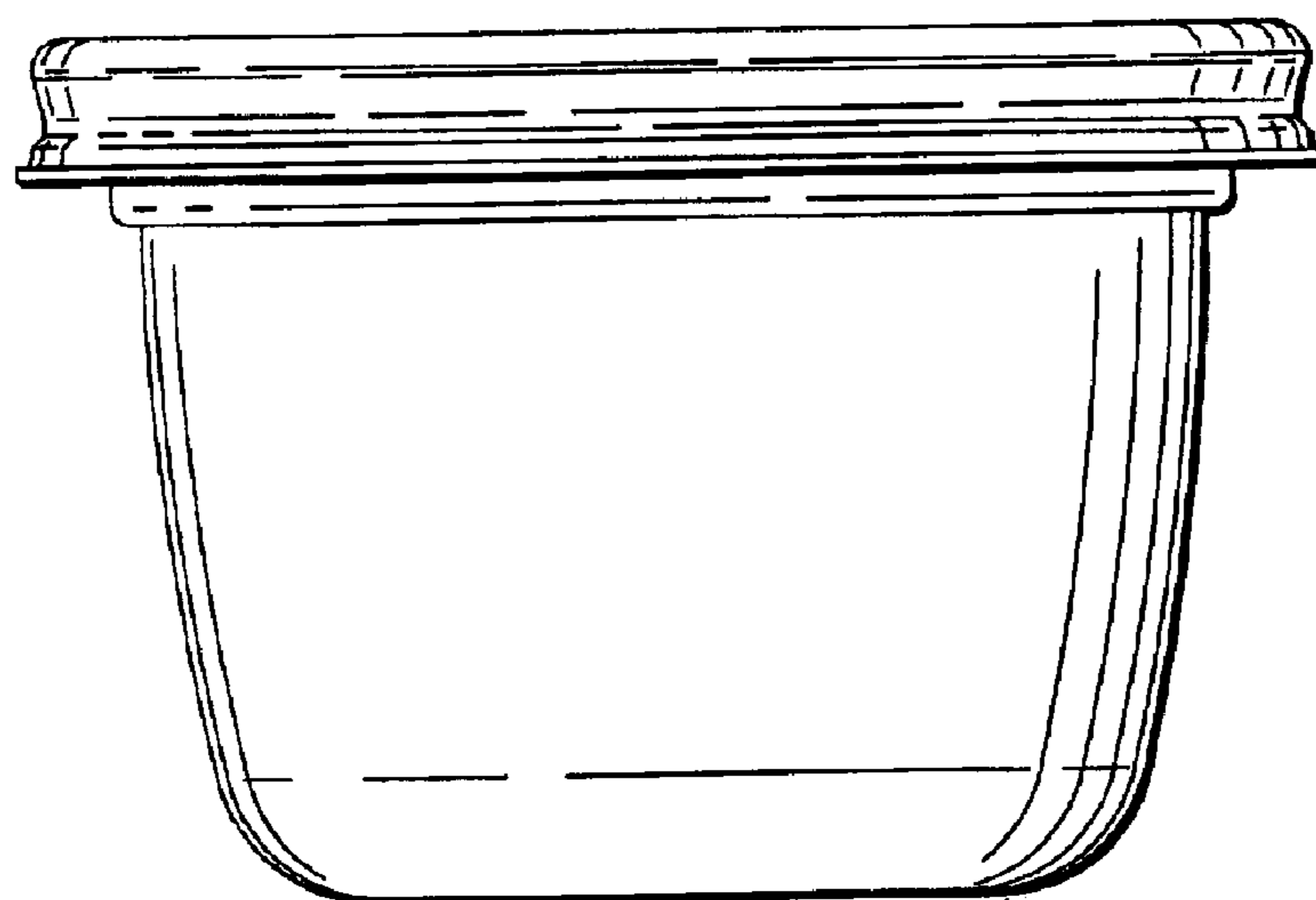


FIG. -16

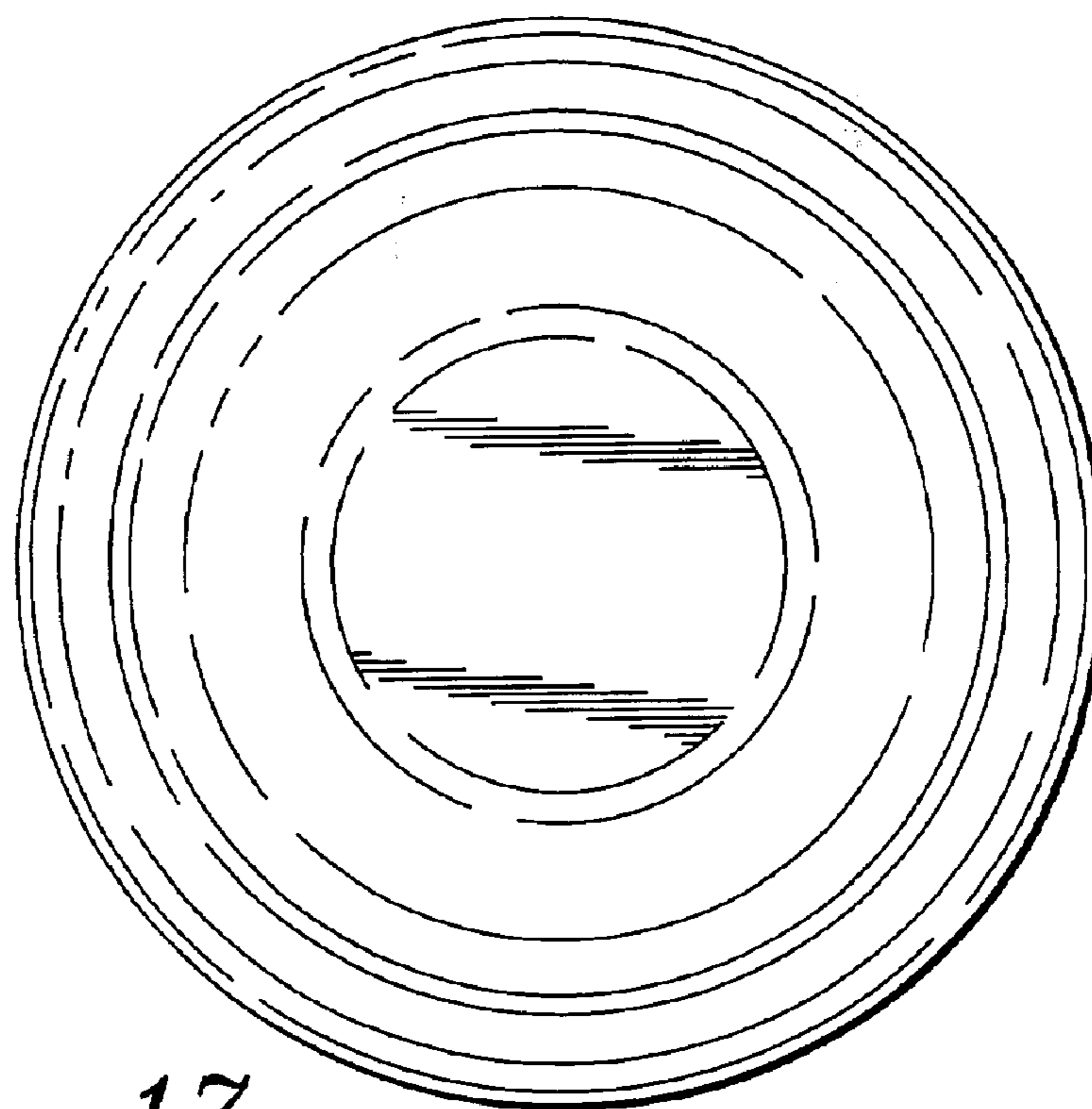


FIG. - 17

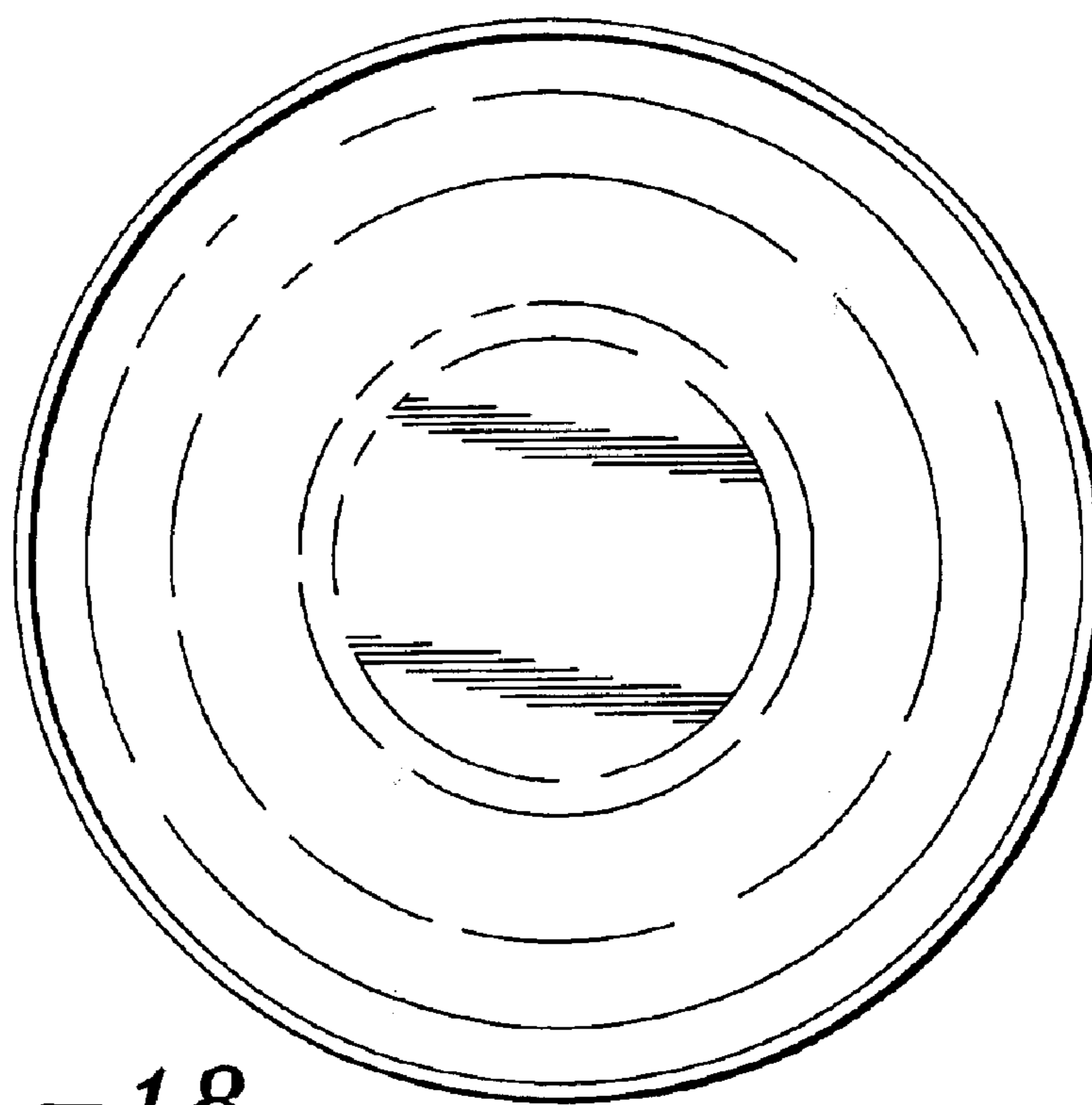


FIG. - 18