



US00D519324S

(12) **United States Design Patent**
Martin

(10) **Patent No.:** **US D519,324 S**

(45) **Date of Patent:** **** Apr. 25, 2006**

(54) **CONTAINER**

(76) **Inventor:** **Laura Ann Martin**, 185 Varick St.
Suite 303, New York, NY (US) 10014

(**) **Term:** **14 Years**

(21) **Appl. No.:** **29/227,312**

(22) **Filed:** **Apr. 8, 2005**

Related U.S. Application Data

(63) Continuation-in-part of application No. 10/314,504, filed on Dec. 9, 2002.

(51) **LOC (8) Cl.** **07-06**

(52) **U.S. Cl.** **D7/590; D7/624.2; D7/629**

(58) **Field of Classification Search** D7/612-615,
D7/602, 629, 590-599, 605-608, 619.1-625;
220/23.4, 288, 377, 366.1, 303, 780-805;
206/818; 222/480, 553, 486, 142.1-142.9
See application file for complete search history.

(56) **References Cited**

U.S. PATENT DOCUMENTS

1,216,252 A * 2/1917 Ferguson 222/142.6

D67,752 S	*	7/1925	Frahm	D7/592
2,004,828 A	*	6/1935	Punte	220/260
2,047,951 A	*	7/1936	Eberhart	220/377
D190,510 S	*	6/1961	Grandinetti	D7/592
5,246,133 A	*	9/1993	James	220/377
5,407,107 A	*	4/1995	Smith	222/565
5,465,871 A	*	11/1995	Robbins, III	222/142.5
D468,162 S	*	1/2003	Martin	D7/592

* cited by examiner

Primary Examiner—Terry A. Wallace

(74) *Attorney, Agent, or Firm*—Armstrong Teasdale LLP;
Robert B. Reeser, III

(57) **CLAIM**

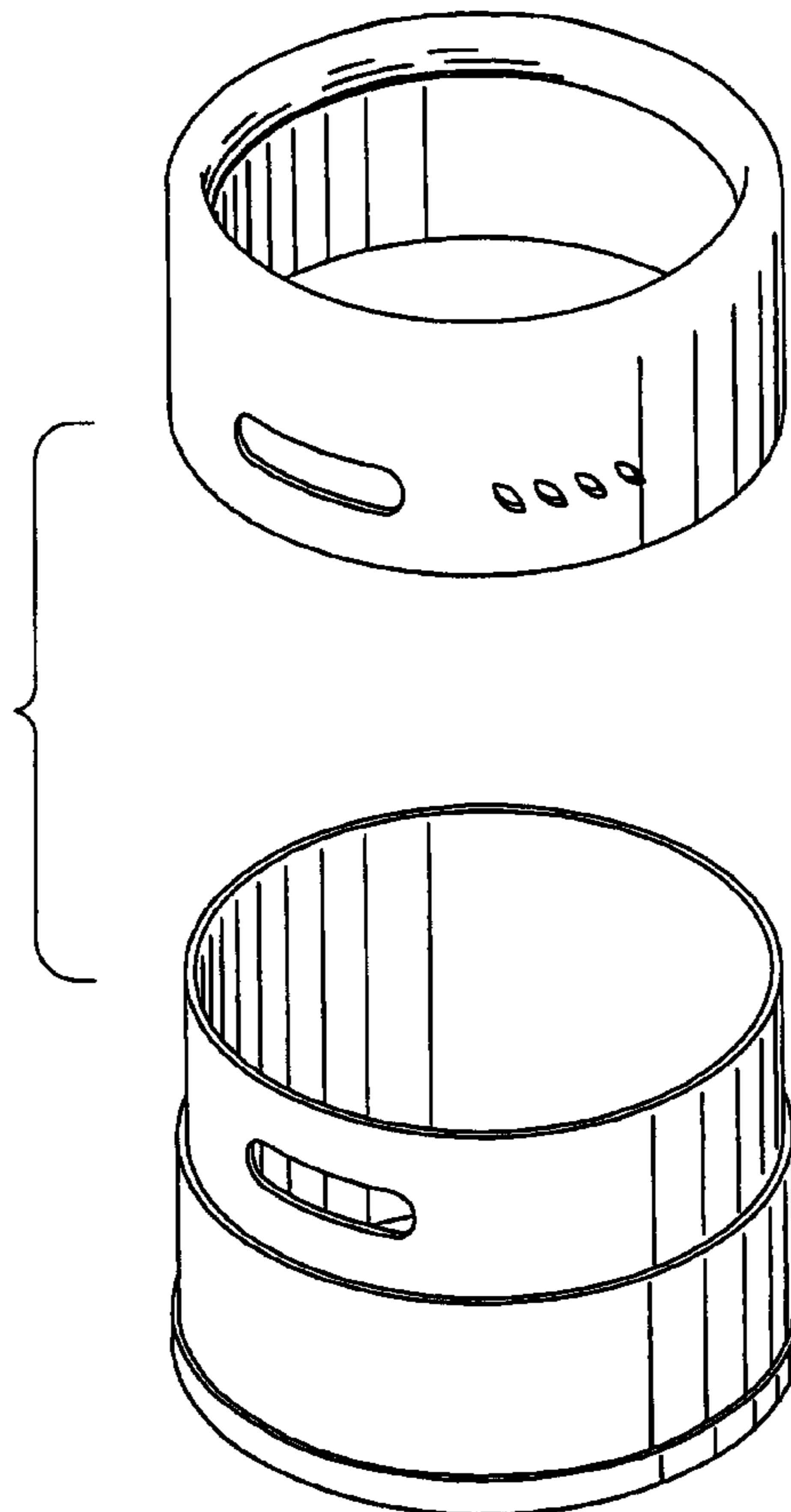
I claim the ornamental design for a container, as shown and described.

DESCRIPTION

FIG. 1 is a top perspective view of a container showing my new design; and,

FIG. 2 is an exploded perspective view thereof.

1 Claim, 2 Drawing Sheets



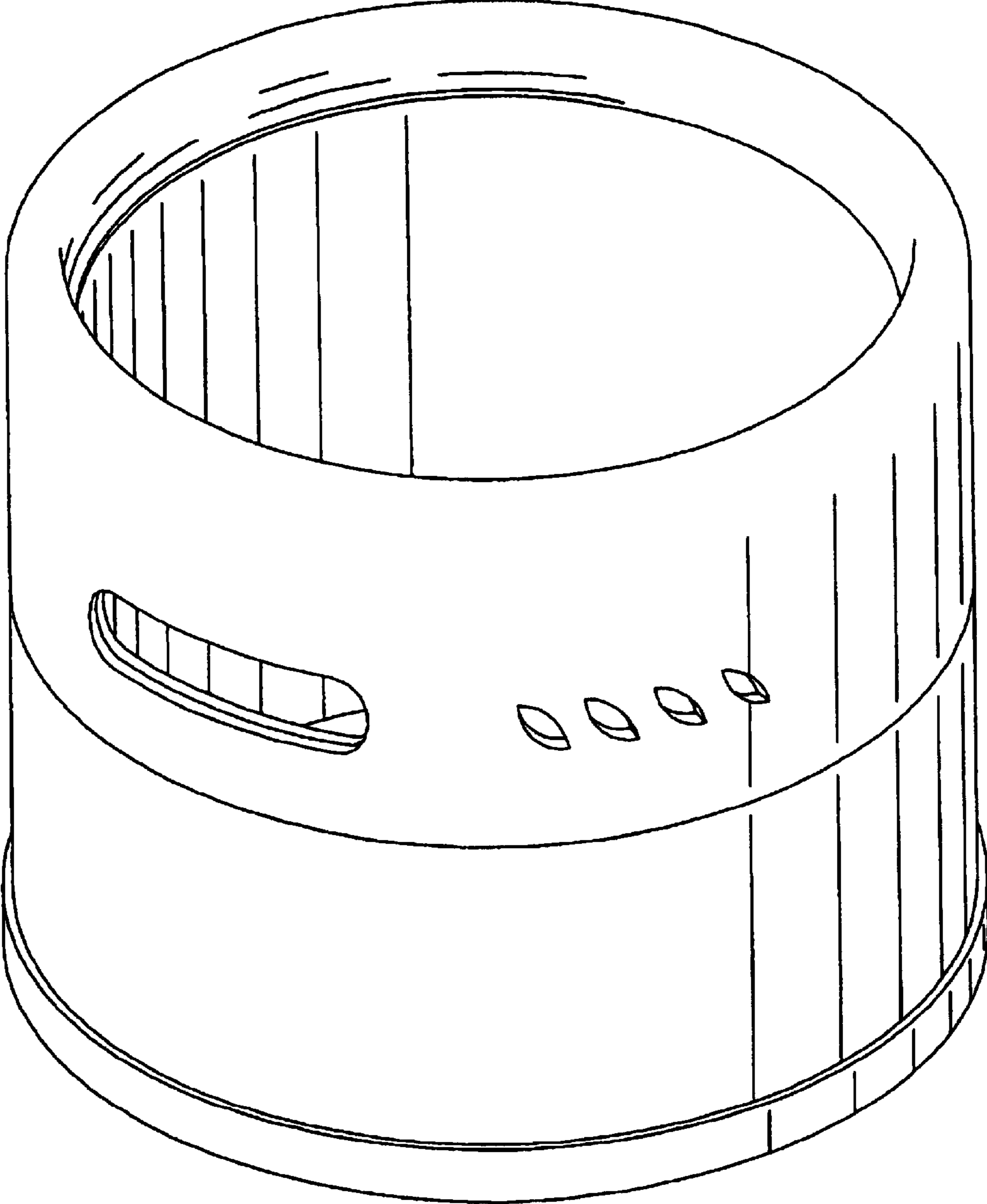


FIG. 1

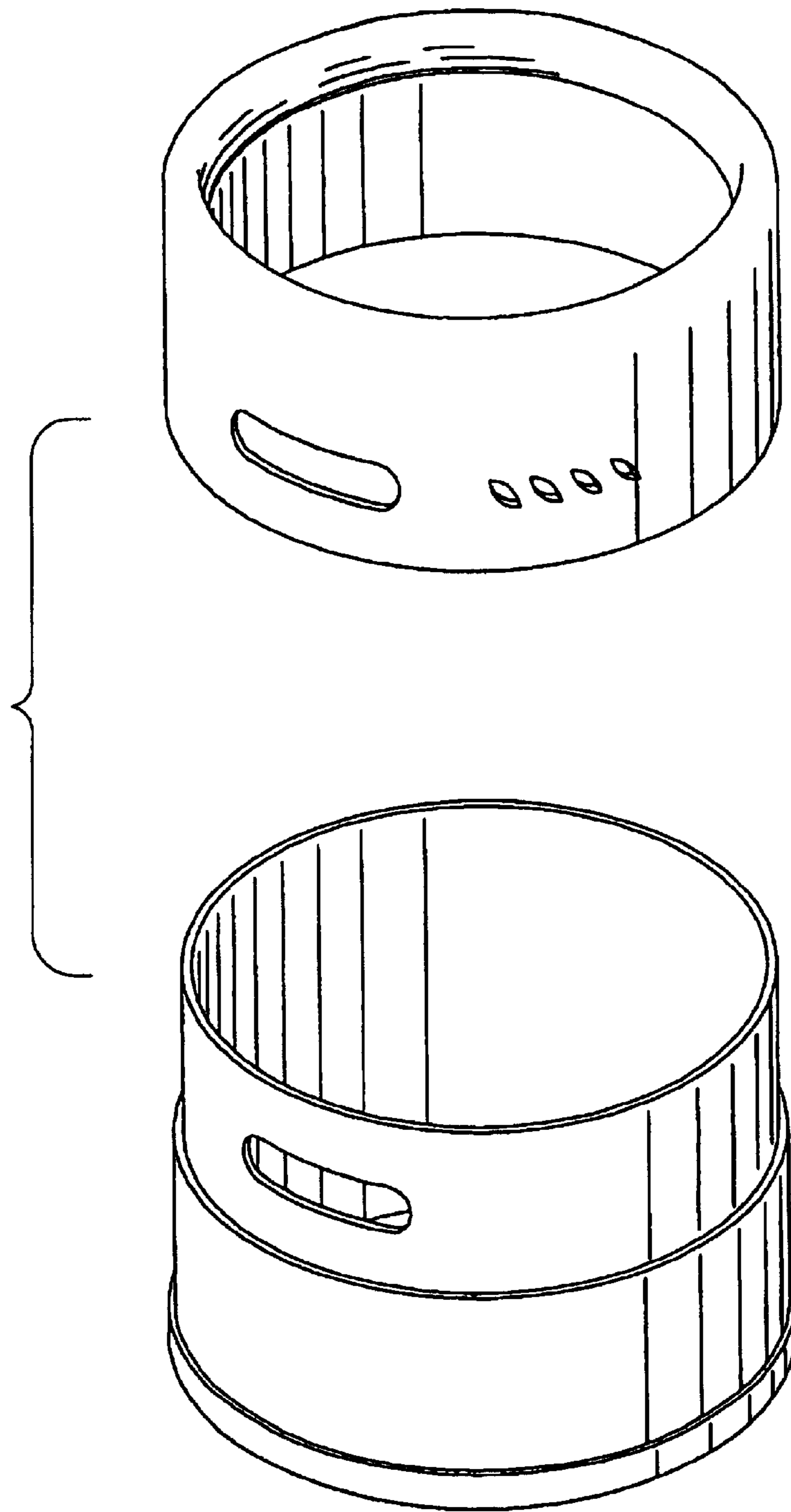


FIG. 2