



US00D519323S

(12) **United States Design Patent**
Warner

(10) **Patent No.:** **US D519,323 S**
(45) **Date of Patent:** **** Apr. 25, 2006**

(54) **PLATE**

(75) **Inventor:** **Hillary R. Warner**, East Syracuse, NY
(US)

(73) **Assignee:** **Syracuse China Company**, Syracuse,
NY (US)

(**) **Term:** **14 Years**

(21) **Appl. No.:** **29/210,751**

(22) **Filed:** **Aug. 5, 2004**

(51) **LOC (8) Cl.** **07-01**

(52) **U.S. Cl.** **D7/543; D7/550.1; D7/566**

(58) **Field of Classification Search** **D7/588,**
D7/501, 550.1, 543, 576, 584, 575, 585, 570,
D7/555, 586, 554.2, 544, 545, 554.4, 560,
D7/565, 566; 220/575, 574; 229/400, 406;
206/562, 519, 217

See application file for complete search history.

(56) **References Cited**

U.S. PATENT DOCUMENTS

D96,548 S	*	8/1935	Heller et al.	D7/553.6
D97,109 S	*	10/1935	Worthington et al.	D7/555
2,672,741 A	*	3/1954	Bernhardt	220/23.4
D182,697 S	*	4/1958	Warren	D7/501
D188,908 S	*	9/1960	Laughlin	D7/501
D229,708 S	*	12/1973	Dugan-Chapman	D11/143
D305,192 S	*	12/1989	van Erkel	D7/555

D310,303 S	*	9/1990	Colletti	D12/425
D338,595 S	*	8/1993	Cafarella et al.	D7/551.1
D365,682 S	*	1/1996	Calmeise et al.	D3/319
D442,429 S	*	5/2001	Liu	D7/396.1
D472,430 S	*	4/2003	Scherer	D7/570
D481,262 S	*	10/2003	Tisdale et al.	D7/586

* cited by examiner

Primary Examiner—M. N. Pandozzi

(74) *Attorney, Agent, or Firm*—MacMillan, Sobanski & Todd, LLC

(57) **CLAIM**

The ornamental design for a plate, as shown and described.

DESCRIPTION

FIG. 1 is a top plan view of a plate according to the present design;

FIG. 2 is a side elevational view taken along line 2—2 of FIG. 1;

FIG. 3 is a bottom plan view thereof;

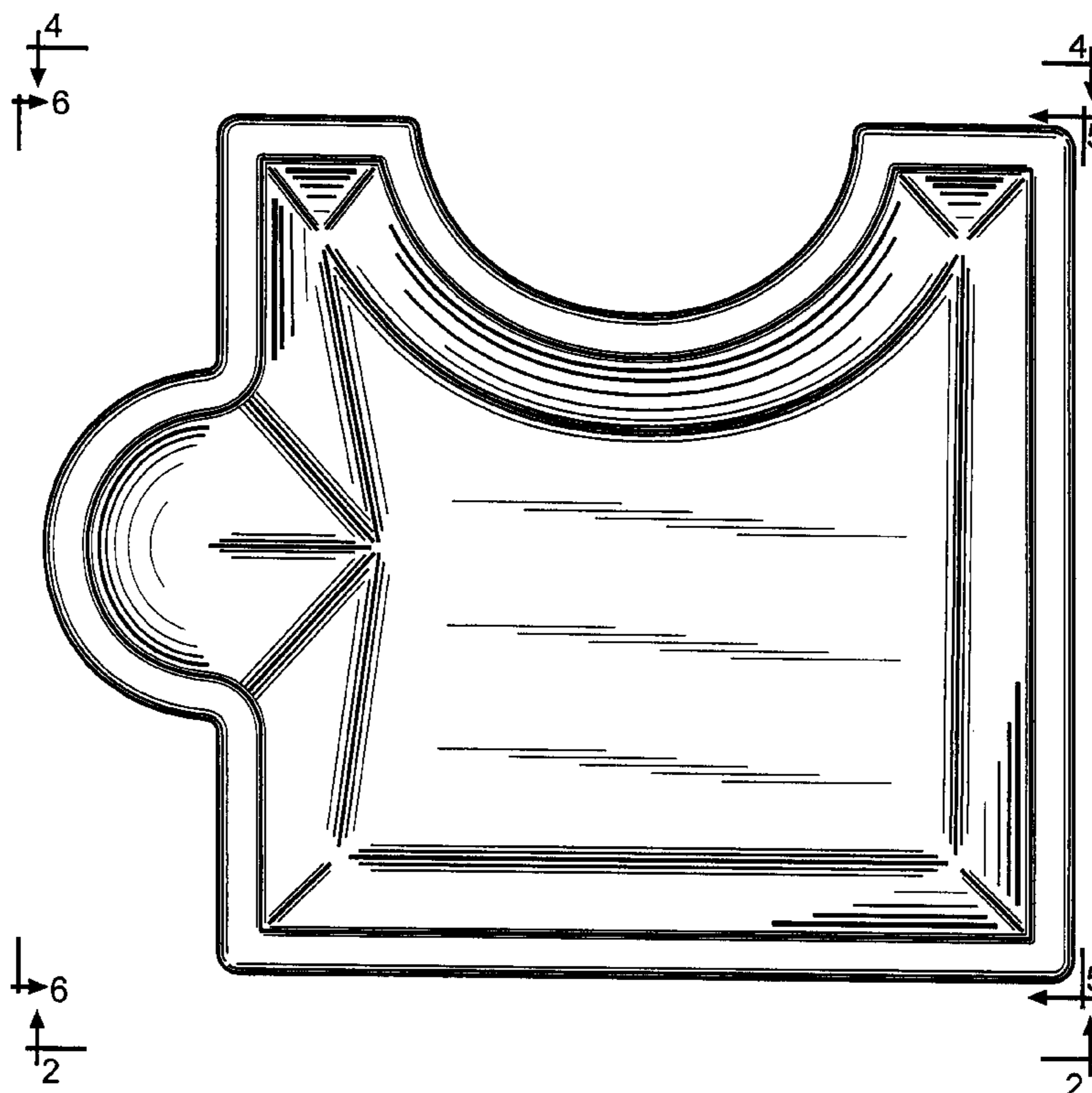
FIG. 4 is a side elevational view taken along line 4—4 of FIG. 1;

FIG. 5 is a side elevational view taken along line 5—5 of FIG. 1;

FIG. 6 is a side elevational view taken along line 6—6 of FIG. 1; and,

FIG. 7 is a top plan view showing a plate with three additional plates shown in broken line for illustrative purposes only and form no part of the claimed design.

1 Claim, 4 Drawing Sheets



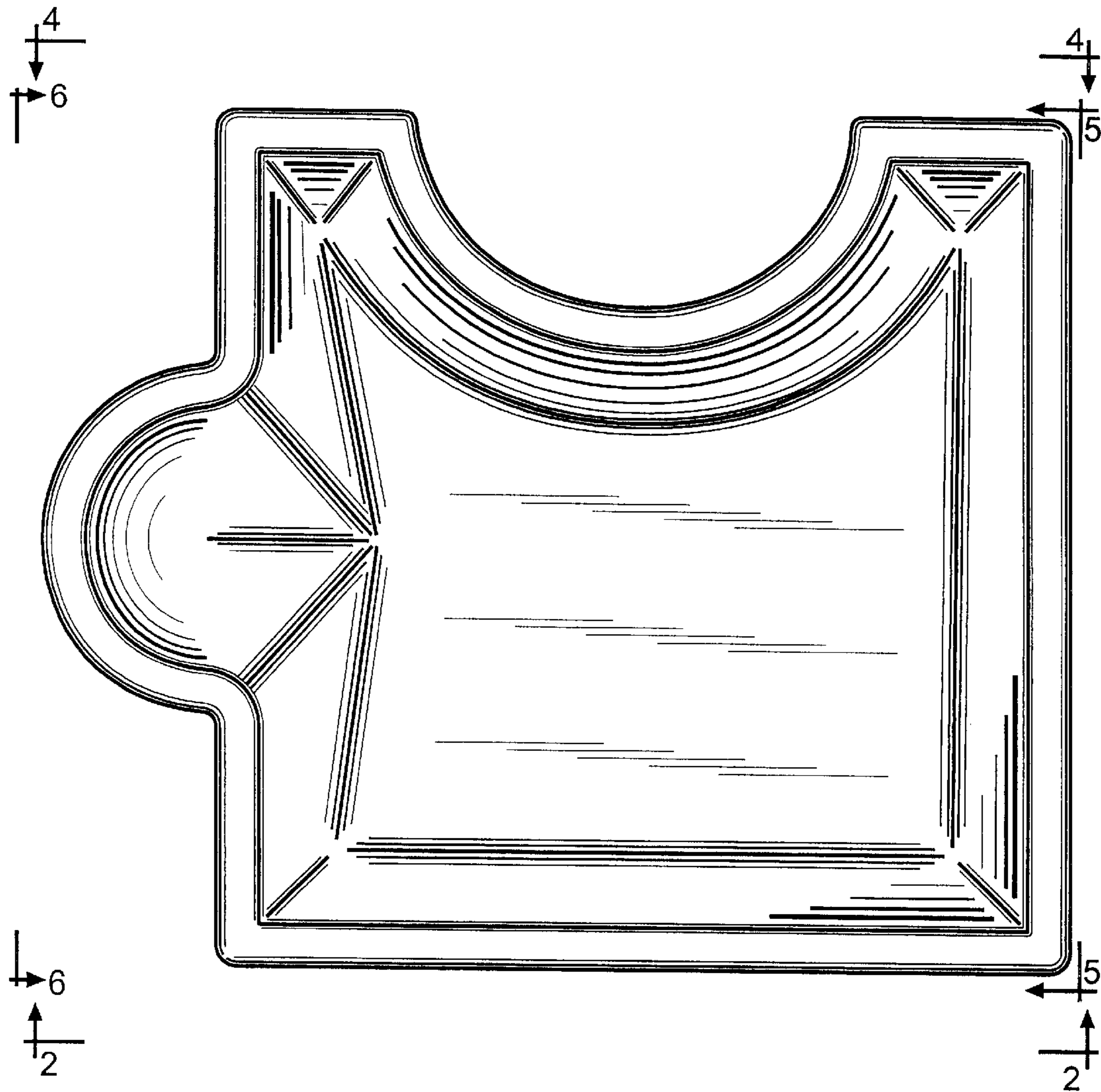


FIG. 1

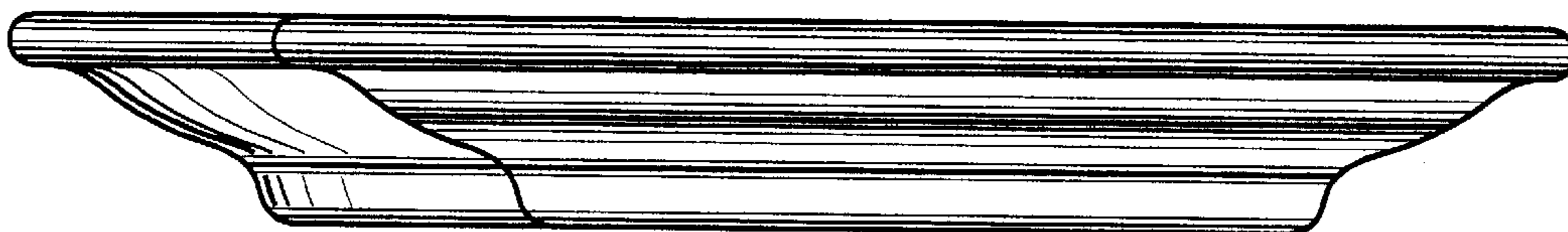
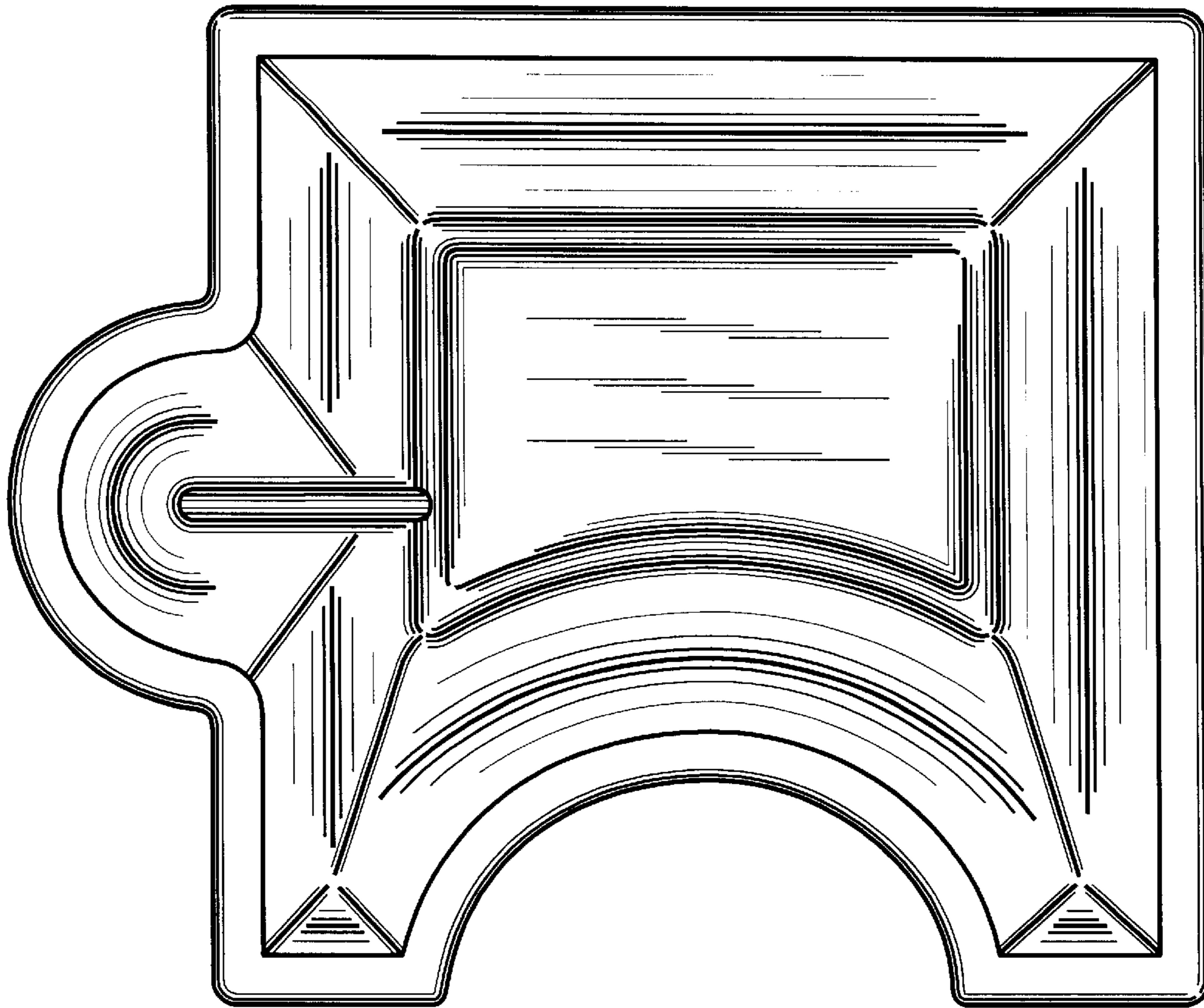
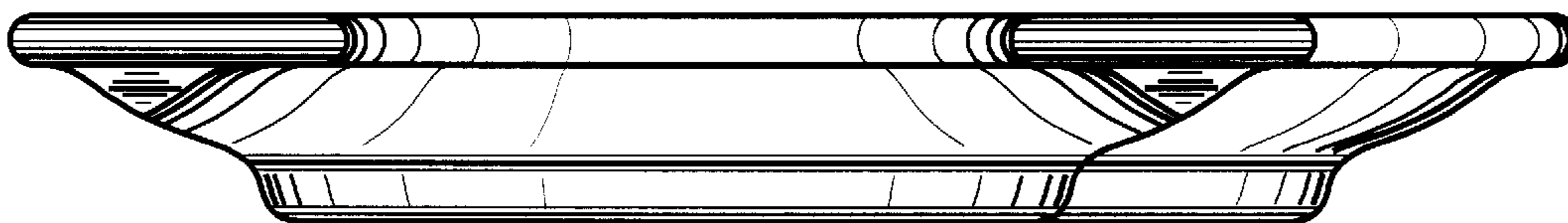


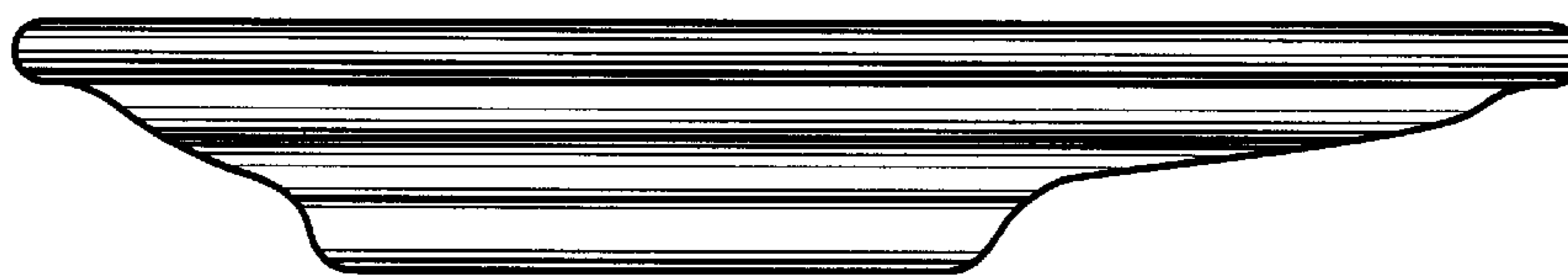
FIG. 2



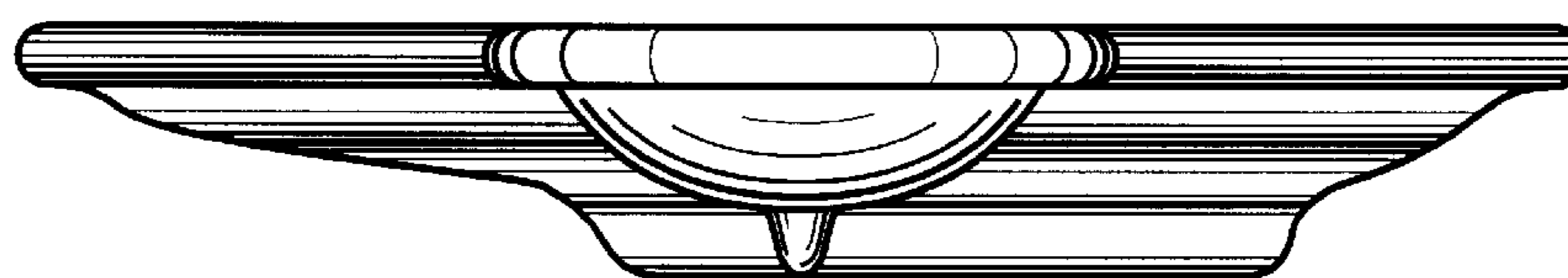
—FIG. 3



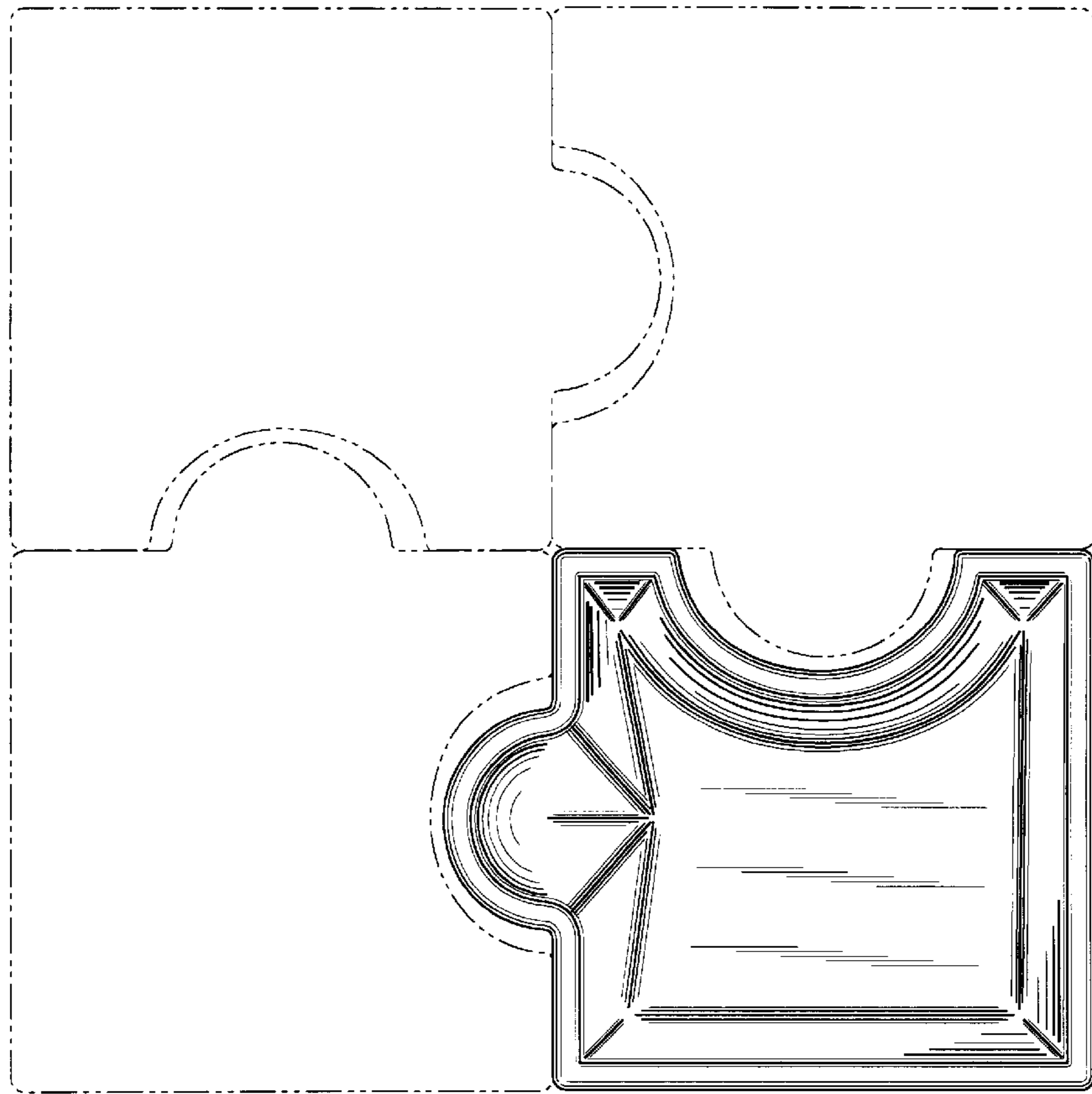
—FIG. 4



—FIG. 5



—FIG. 6



—FIG. 7