



US00D519321S

(12) **United States Design Patent**
Sands

(10) **Patent No.:** **US D519,321 S**

(45) **Date of Patent:** **** Apr. 25, 2006**

(54) **MUG**

(75) **Inventor:** **Lenny Sands**, Los Angeles, CA (US)

(73) **Assignee:** **Homeland Housewares, LLC**, Los Angeles, CA (US)

(**) **Term:** **14 Years**

(21) **Appl. No.:** **29/216,603**

(22) **Filed:** **Nov. 5, 2004**

Related U.S. Application Data

(60) Division of application No. 29/205,079, filed on May 7, 2004, now Pat. No. Des. 500,633, which is a continuation-in-part of application No. 29/202,101, filed on Apr. 2, 2004, now Pat. No. Des. 501,759.

(51) **LOC (8) Cl.** **07-01**

(52) **U.S. Cl.** **D7/523; D7/378; D7/413**

(58) **Field of Classification Search** 220/212, 220/574, 592.15; D7/523, 538, 510, 511, D7/507, 509, 376, 377, 378, 413, 412, 415, D7/380; 366/199, 197, 251, 314, 205, 206, 366/130; 215/390, 387, 395, 398; 312/390; 241/282.2, 195, 282.1; D9/500, 537, 546
See application file for complete search history.

(56) **References Cited**

U.S. PATENT DOCUMENTS

2,299,730	A	10/1942	Bornstein	
3,064,949	A	11/1962	Dewenter	
3,085,710	A	4/1963	McLroy	
3,315,946	A	4/1967	Nissman	
3,704,864	A	* 12/1972	Lee	366/205
D231,068	S	* 4/1974	Douglas	D7/533
3,881,705	A	5/1975	Greenspan	
D241,017	S	* 8/1976	Baker	D9/500
4,435,084	A	* 3/1984	Calhoun et al.	366/130
4,480,926	A	11/1984	Lattery, Jr. et al.	
4,487,509	A	12/1984	Boyce	
4,523,083	A	* 6/1985	Hamilton	219/433
D281,945	S	* 12/1985	Boyce	D7/378
4,708,487	A	11/1987	Marshall	

4,889,248	A	* 12/1989	Bennett	215/390
D347,966	S	* 6/1994	Doggett	D7/378
5,531,353	A	* 7/1996	Ward et al.	220/729
D385,149	S	* 10/1997	Feil	D7/378
5,720,552	A	* 2/1998	Schindlegger	366/197
D395,200	S	* 6/1998	Bidwell	D7/509
D470,050	S	2/2003	Renz et al.	
6,523,994	B1	* 2/2003	Lawson	366/199
D486,997	S	* 2/2004	Janky	D7/531
D487,668	S	* 3/2004	Sands	D7/378
2001/0036124	A1	* 11/2001	Rubenstein	366/205
2001/0046183	A1	* 11/2001	Lawson	366/205
2002/0176320	A1	* 11/2002	Wulf et al.	366/325.8
2003/0214875	A1	* 11/2003	Dickson	366/206

OTHER PUBLICATIONS

<http://www.kissmixer.com/order/order1.htm> (attached hereto).

<http://www.kissmixer.com/feature/feature1.htm> (2 pages) (attached hereto).

* cited by examiner

Primary Examiner—M. N. Pandozzi

(74) *Attorney, Agent, or Firm*—Cislo & Thomas, LLP

(57) **CLAIM**

The ornamental design for a mug, as shown and described.

DESCRIPTION

FIG. 1 is a top perspective view of a mug showing my new design;

FIG. 2 is a top plan perspective view thereof;

FIG. 3 is a bottom plan perspective view thereof;

FIG. 4 is a left side elevational perspective view thereof;

FIG. 5 is a rear elevational perspective view thereof;

FIG. 6 is a right side elevational perspective view thereof;

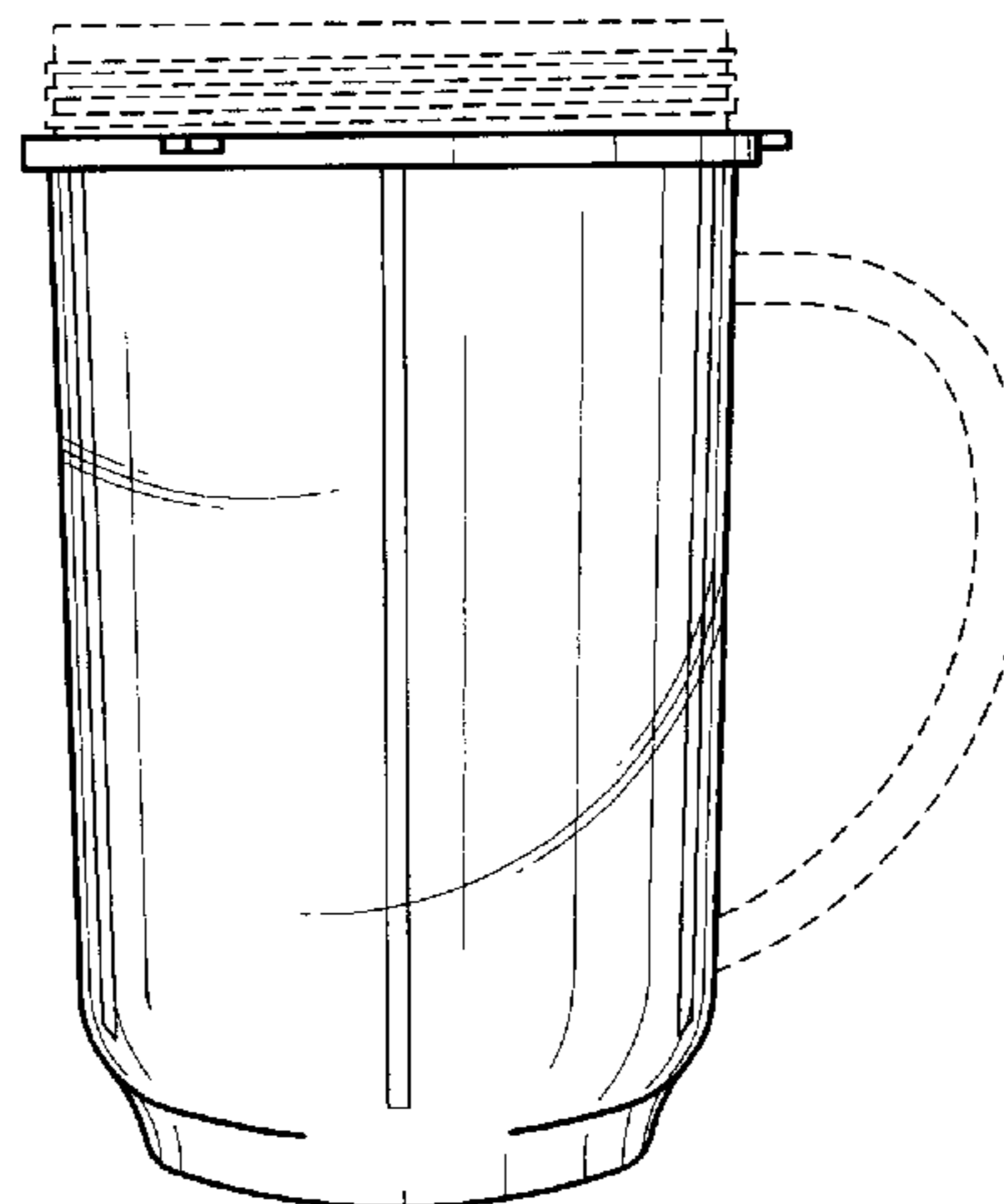
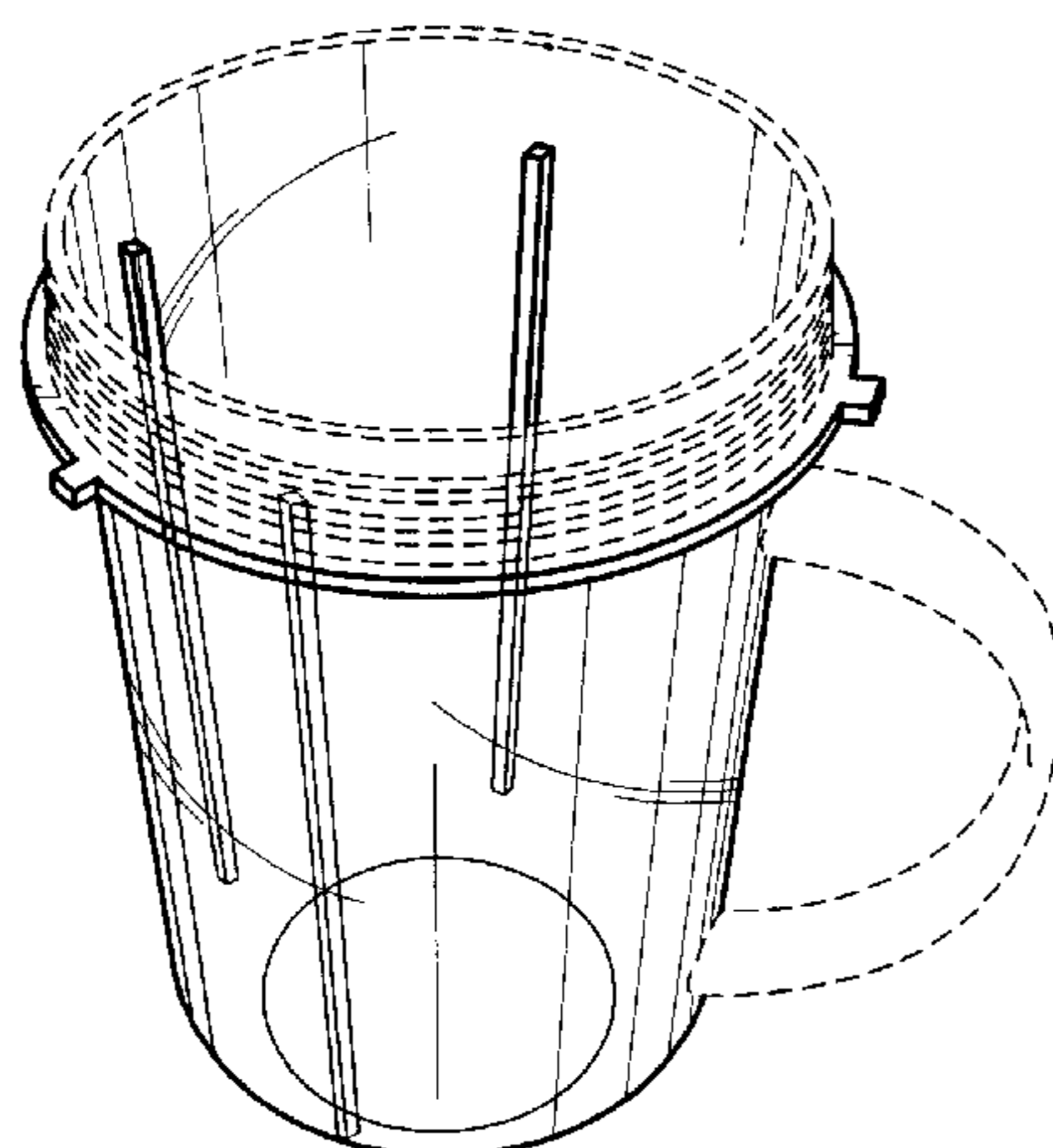
FIG. 7 is a front elevational perspective view thereof;

FIG. 8 is an environmental perspective view thereof; and,

FIG. 9 is an environmental perspective view showing a second embodiment of my new design.

The broken line portions of the disclosure are for illustrative purposes only and form no part of the claimed design.

1 Claim, 3 Drawing Sheets



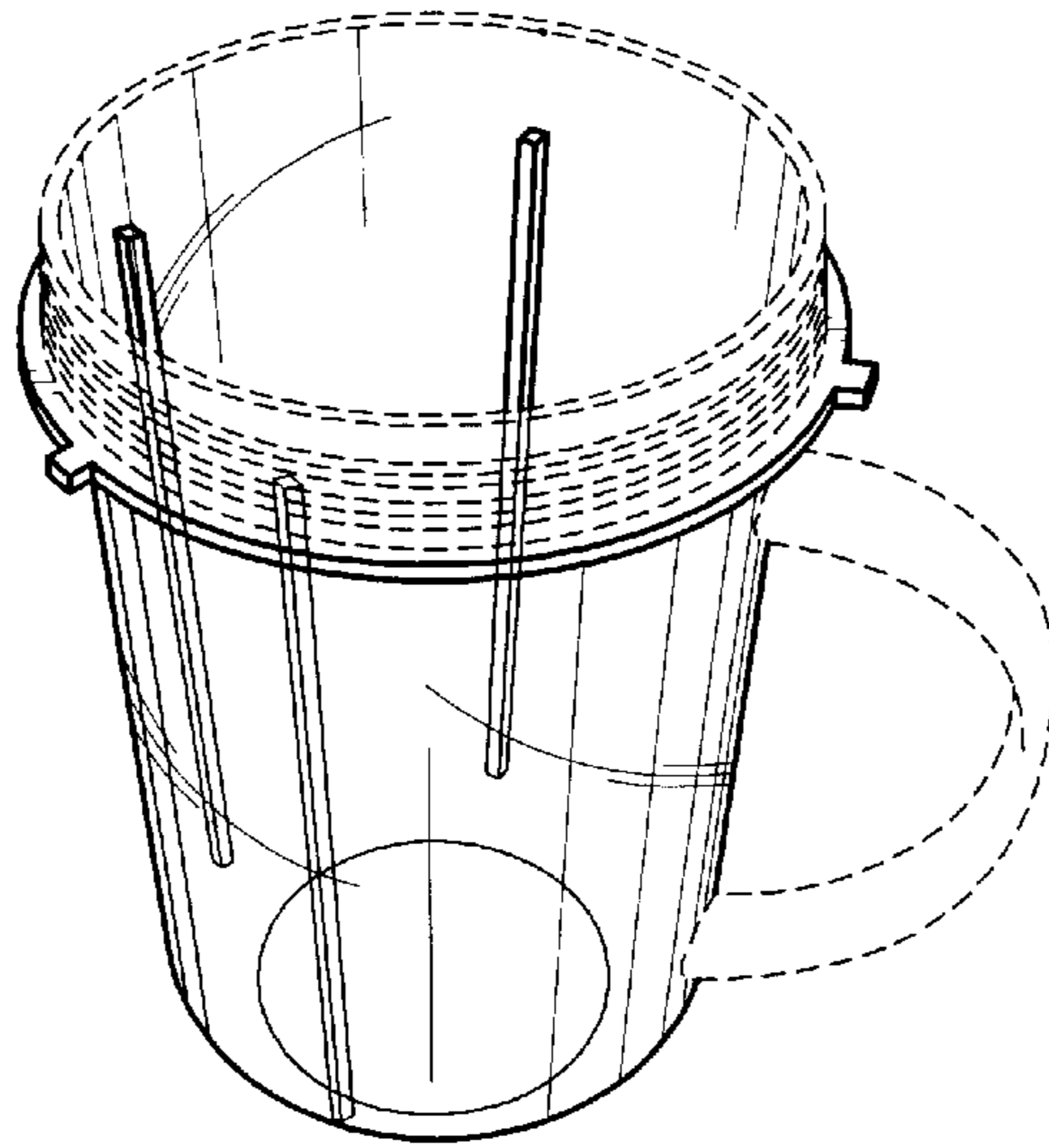


FIG. 1

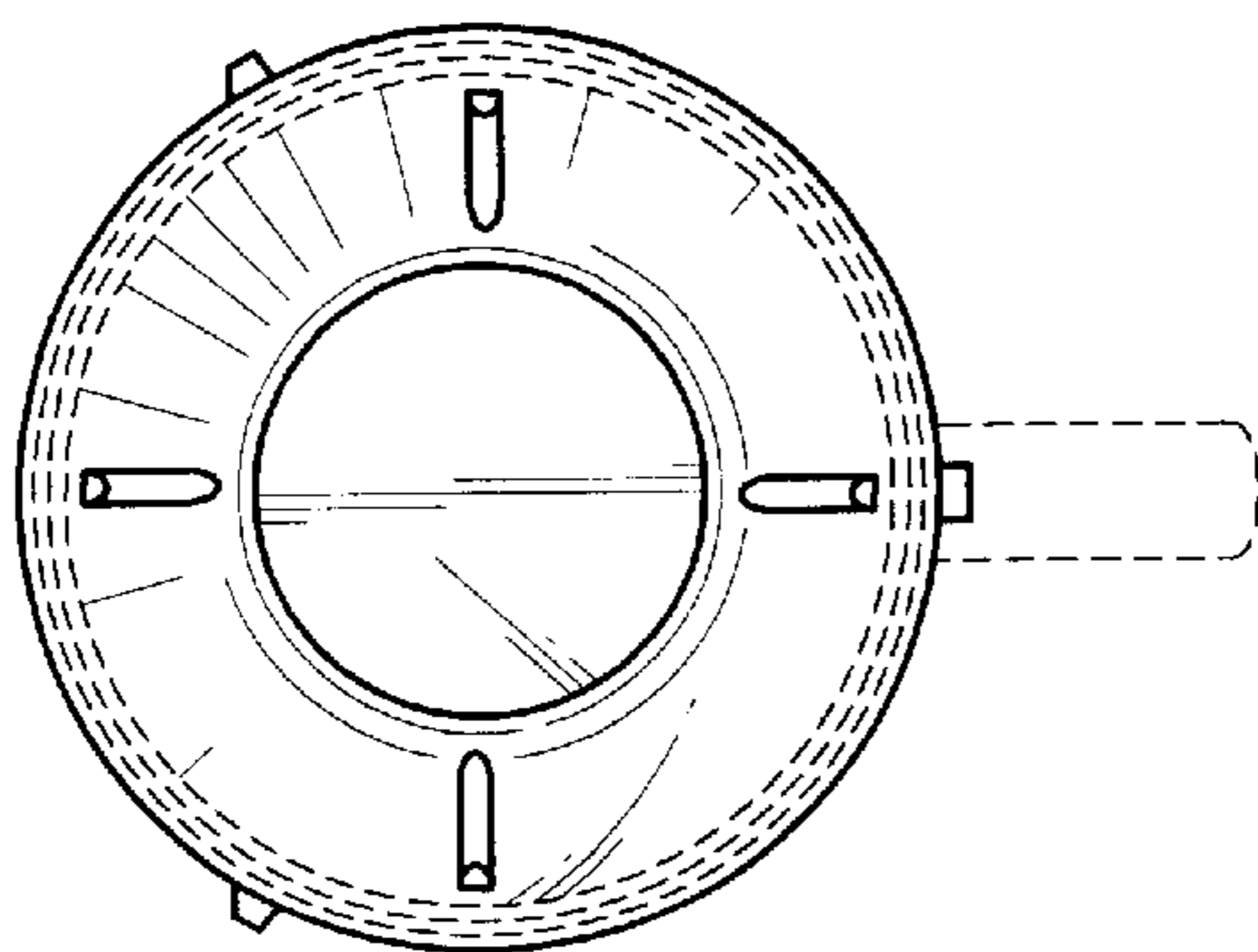


FIG. 2

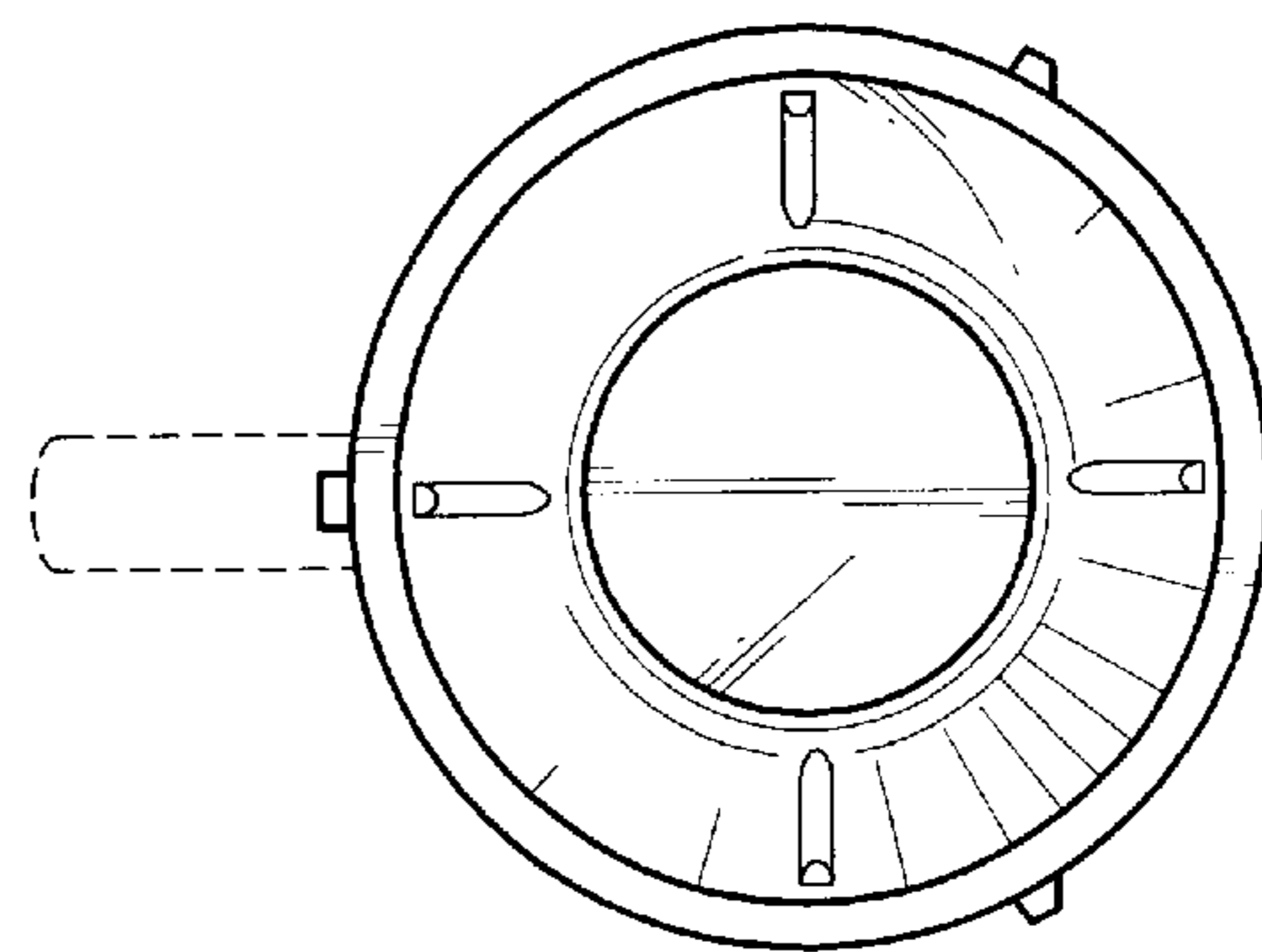


FIG. 3

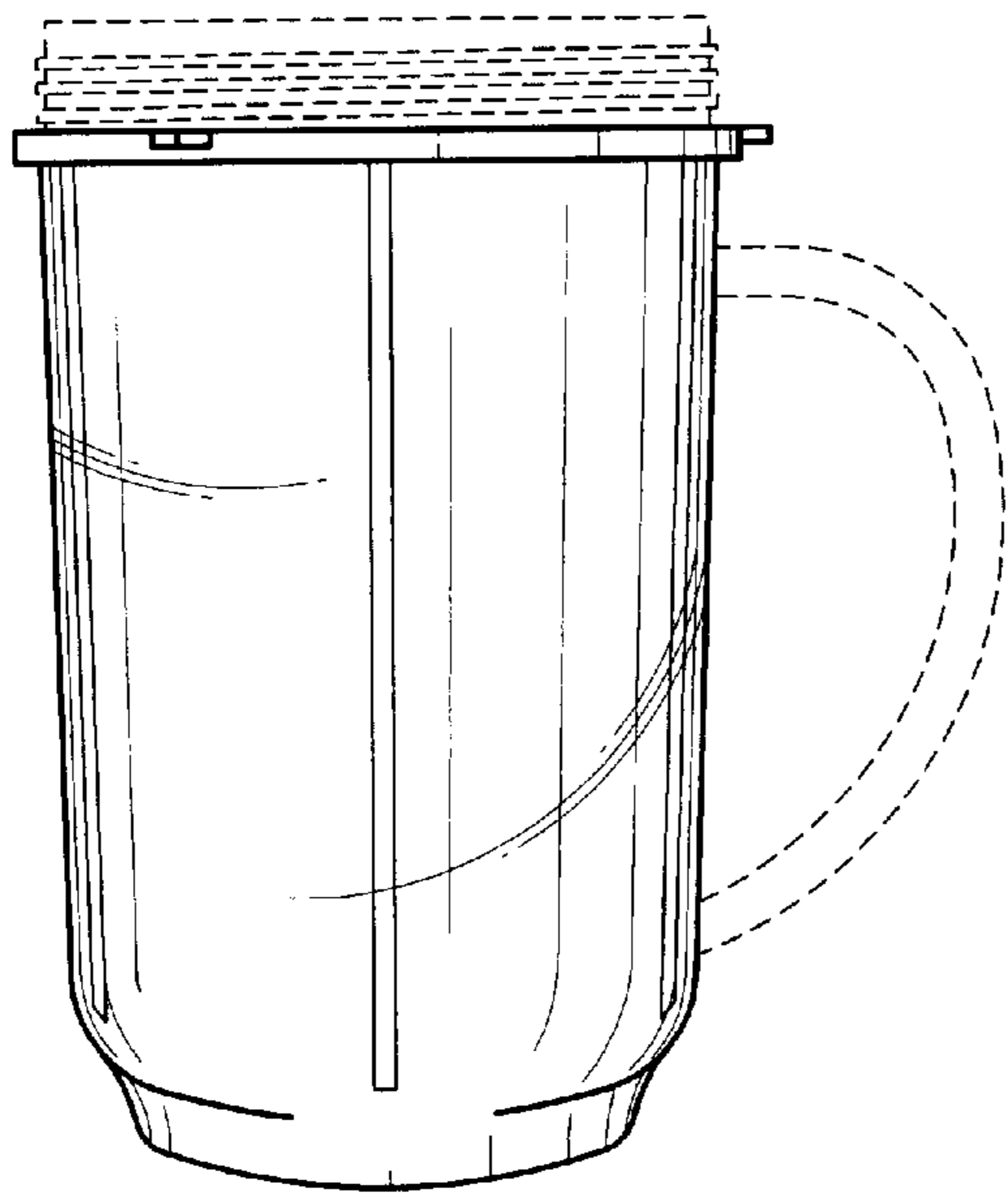


FIG. 4

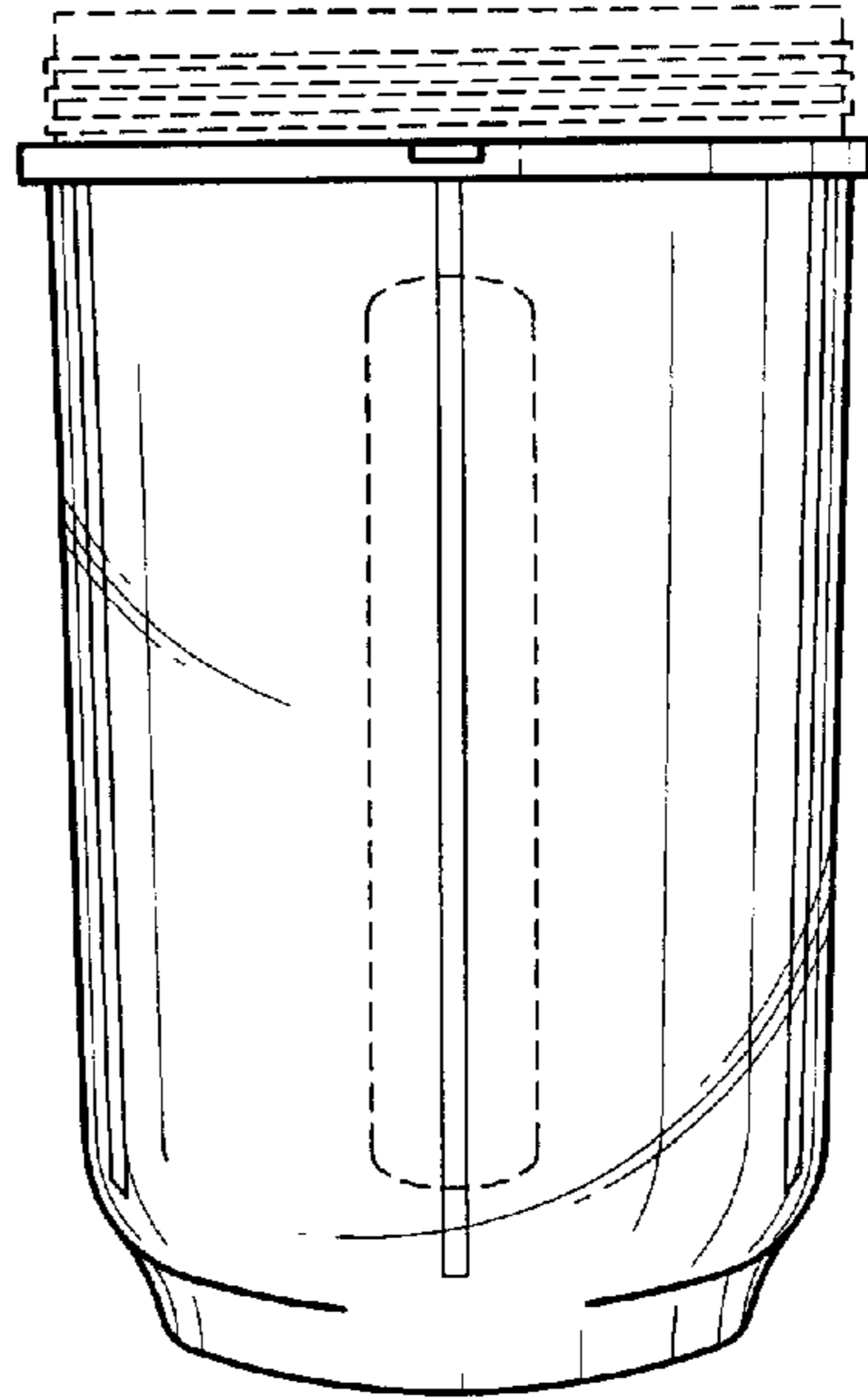


FIG. 5

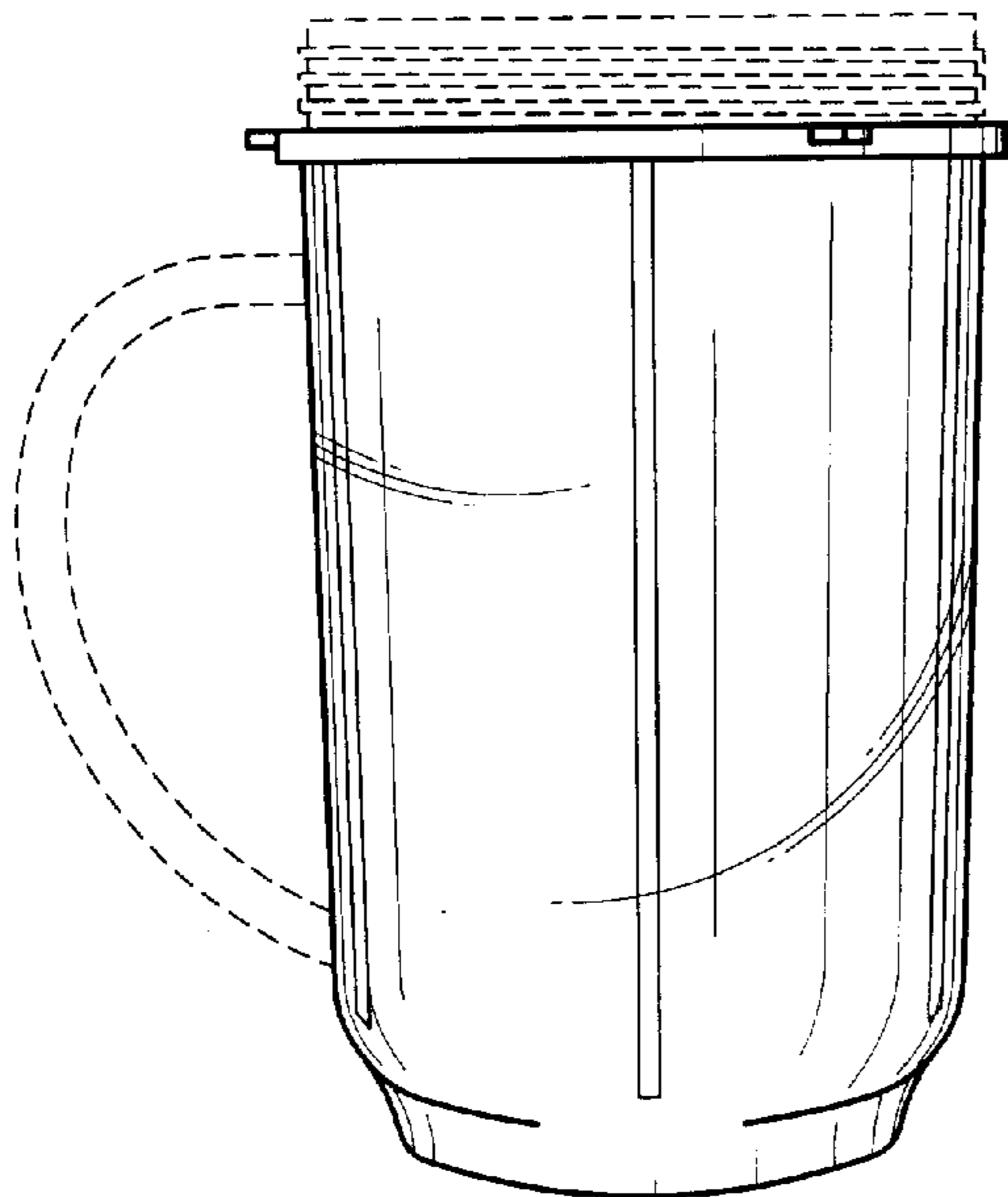


FIG. 6

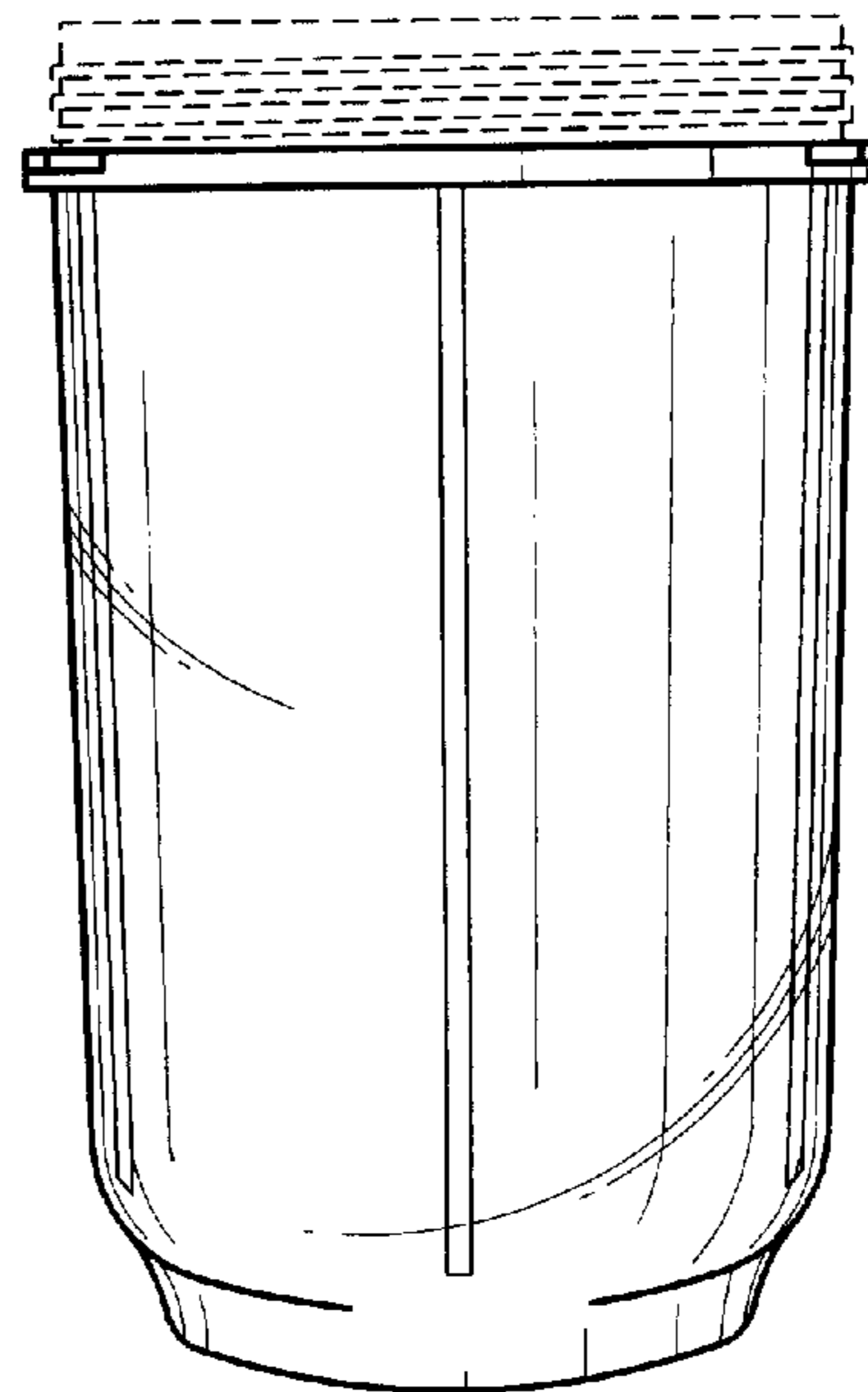


FIG. 7

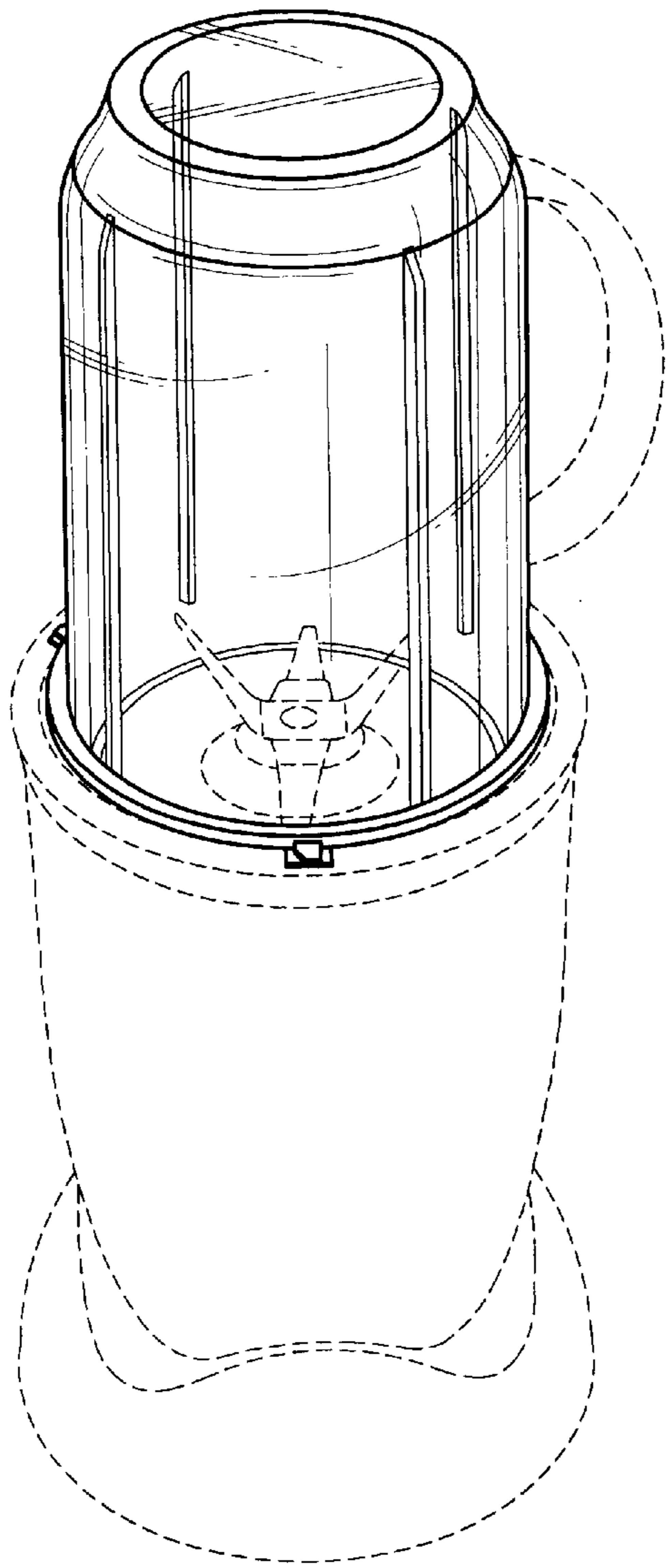


FIG. 8

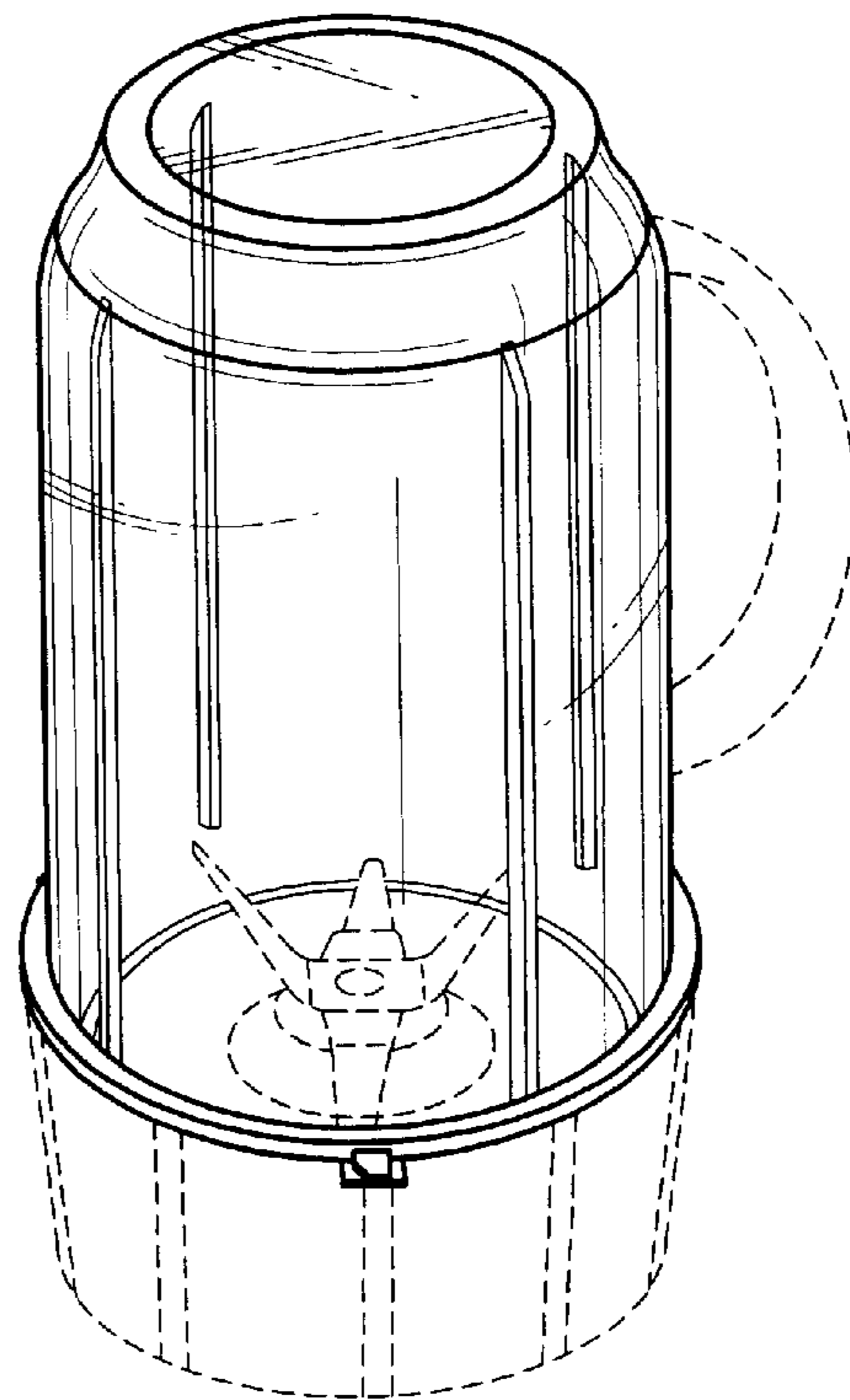


FIG. 9