



US00D519318S

(12) **United States Design Patent**  
**Katzke**

(10) **Patent No.:** **US D519,318 S**  
(45) **Date of Patent:** **\*\* Apr. 25, 2006**

(54) **TAP**

(76) **Inventor:** **Johannes Petrus Coetzee Katzke**, 20  
Winblom Street, Bloubergstrand 7441  
(ZA)

(\*\*) **Term:** **14 Years**

(21) **Appl. No.:** **29/189,830**

(22) **Filed:** **Sep. 11, 2003**

(30) **Foreign Application Priority Data**

Mar. 11, 2003 (ZA) ..... A2003/00239

(51) **LOC (8) Cl.** ..... **31-00**

(52) **U.S. Cl.** ..... **D7/398**

(58) **Field of Classification Search** ..... D7/397,  
D7/398, 313; D23/233; 222/400.7; 137/322  
See application file for complete search history.

(56) **References Cited**

**U.S. PATENT DOCUMENTS**

2,883,999 A \* 4/1959 Frankfurt ..... 137/170.1  
D216,608 S \* 2/1970 Cornelius ..... D7/398

D352,637 S \* 11/1994 Ugolini ..... D7/398  
D440,631 S \* 4/2001 Shipway ..... D23/233  
D475,888 S \* 6/2003 Celli ..... D7/398  
6,598,768 B1 \* 7/2003 Celli ..... 222/400.7  
D482,235 S \* 11/2003 Yui ..... D7/398

\* cited by examiner

*Primary Examiner*—Robin V. Webster

(74) *Attorney, Agent, or Firm*—Dean W. Russell; Kilpatrick  
Stockton LLP

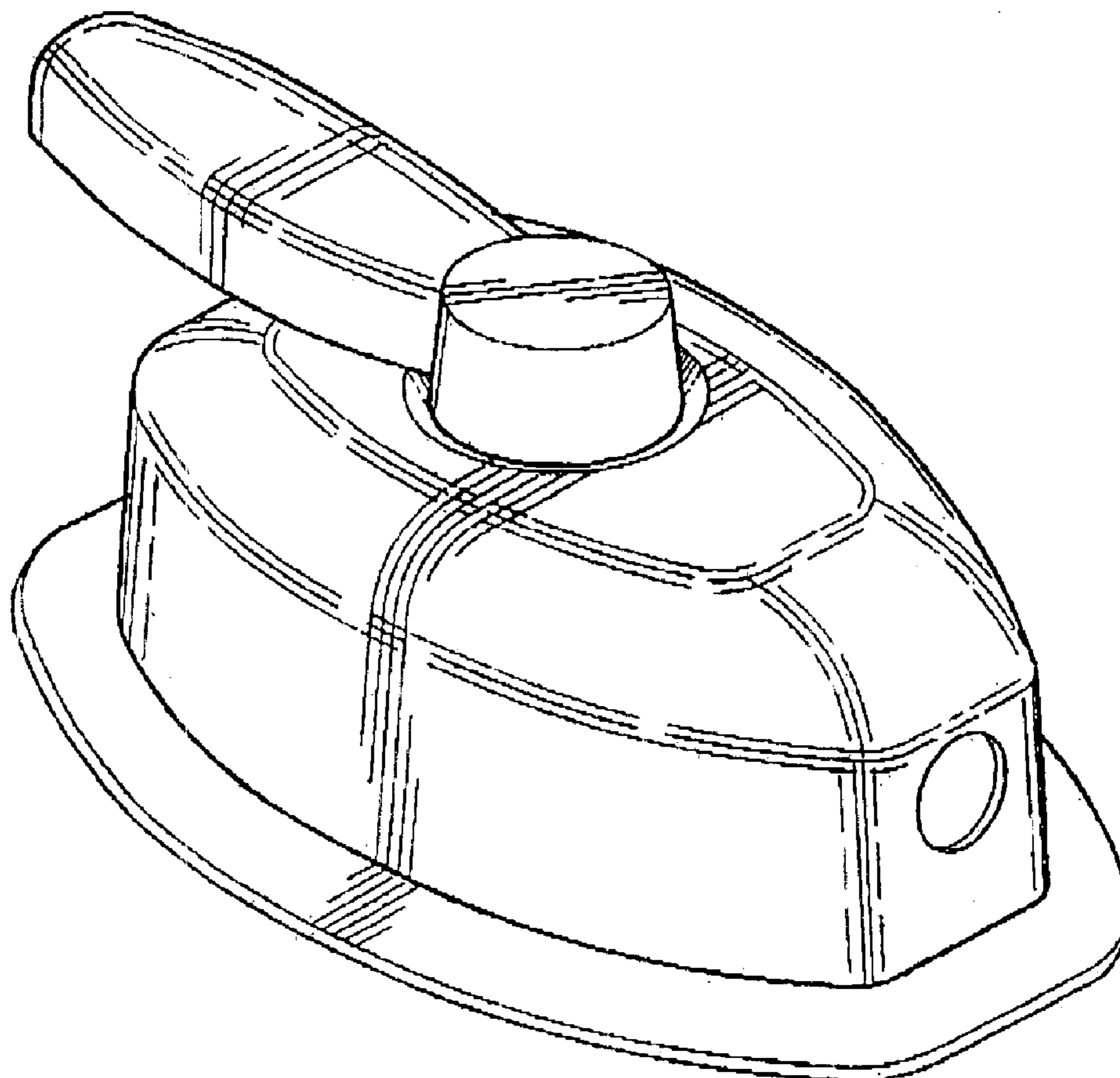
(57) **CLAIM**

The ornamental design for a tap, as shown and described.

**DESCRIPTION**

FIG. 1 is a top, left-hand, front perspective view of a tap,  
showing my new design;  
FIG. 2 is a top plan thereof;  
FIG. 3 is a left-hand side elevation thereof, the right-hand  
side elevation being a mirror image;  
FIG. 4 is a front elevation view thereof; and,  
FIG. 5 is a rear elevation view thereof.

**1 Claim, 2 Drawing Sheets**



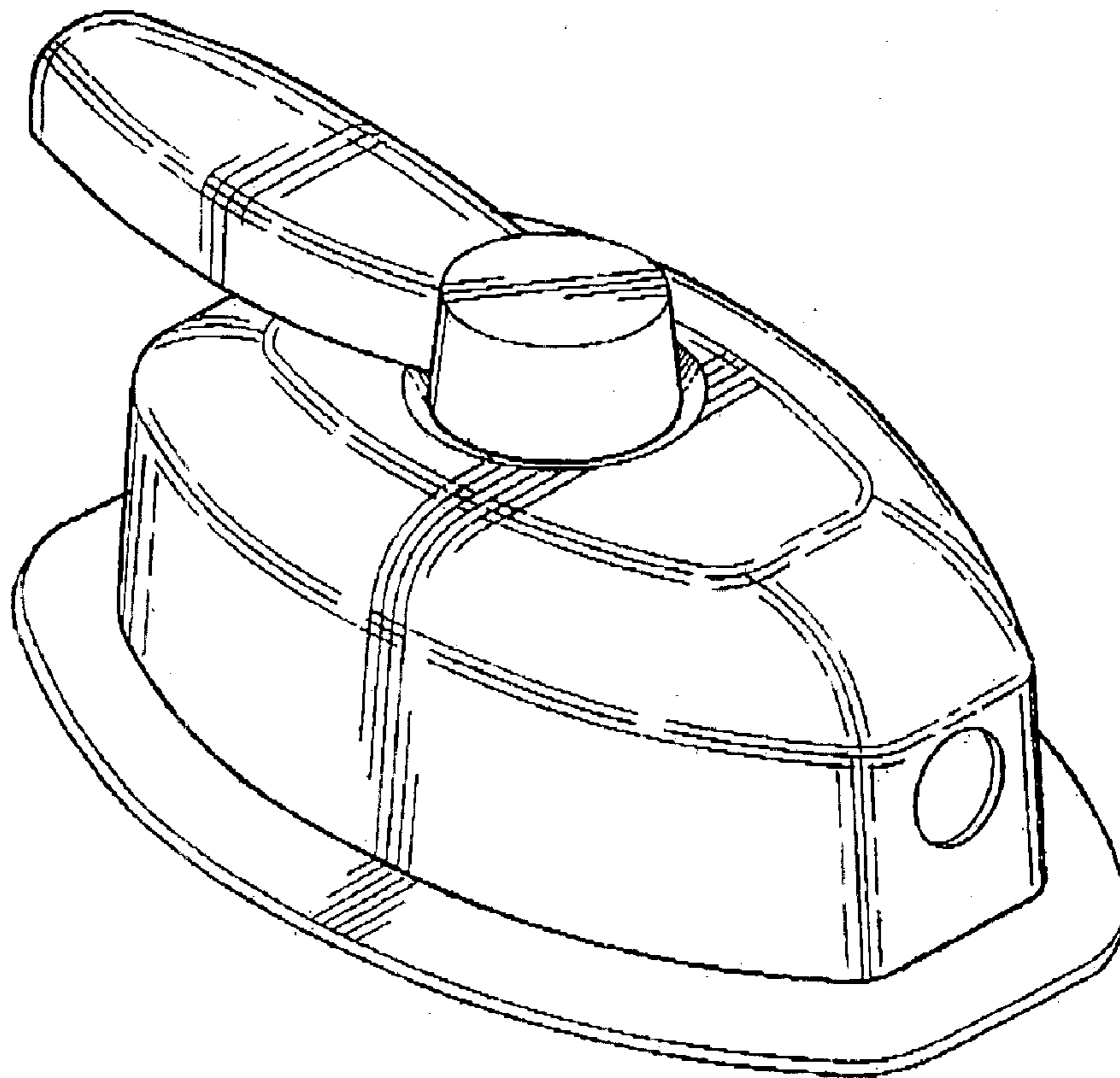


FIG. 1

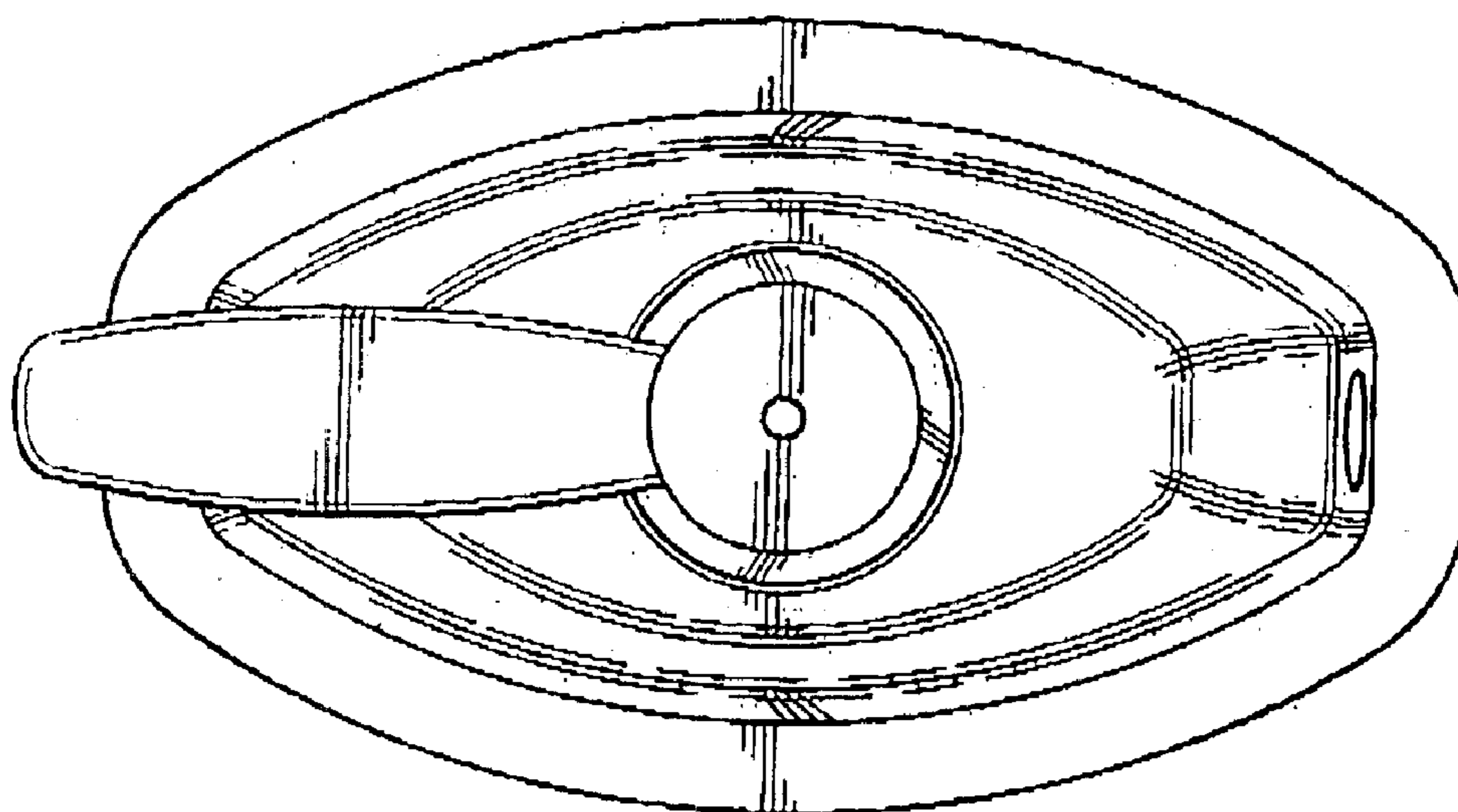


FIG. 2

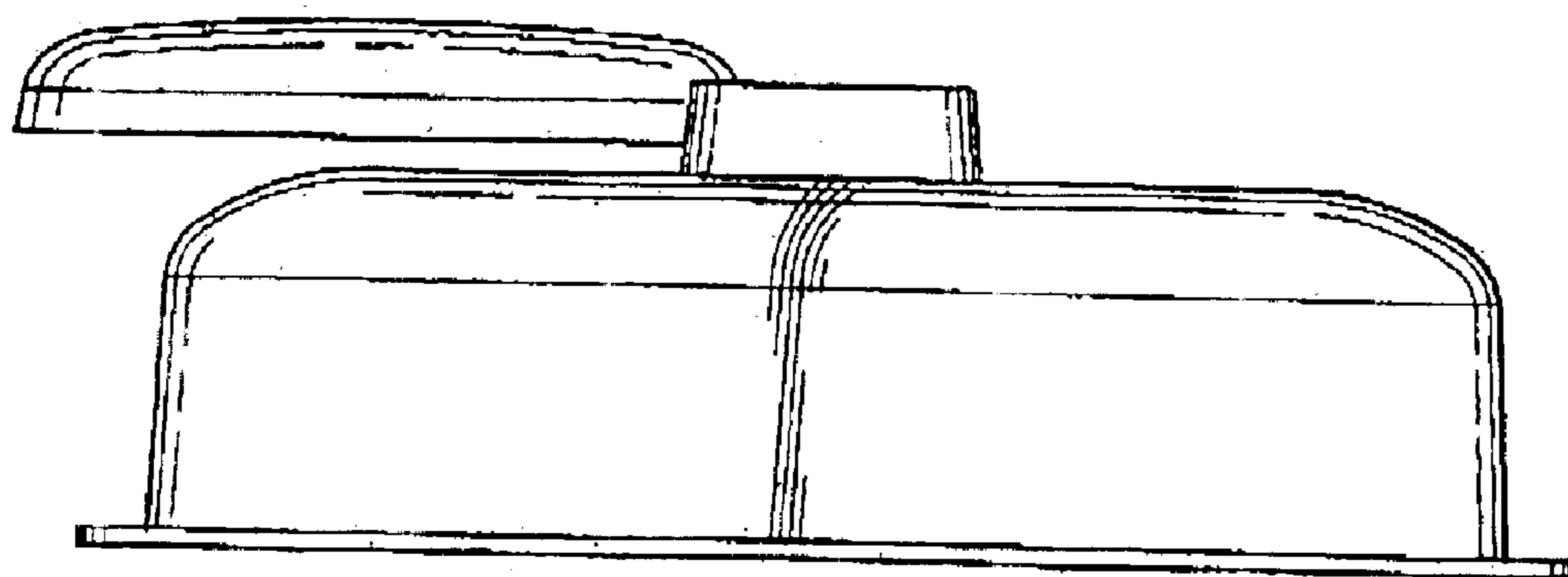


FIG. 3

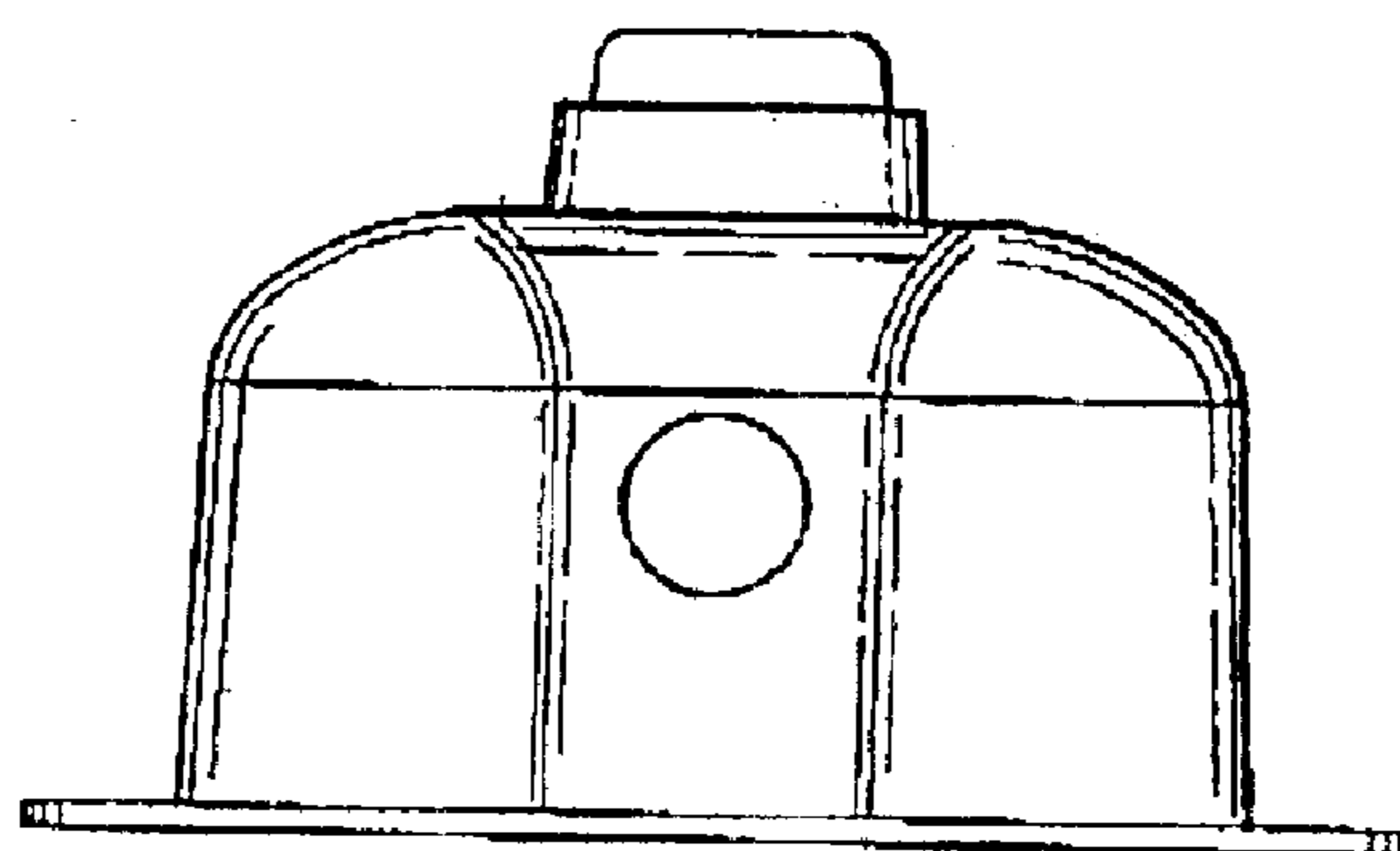


FIG. 4

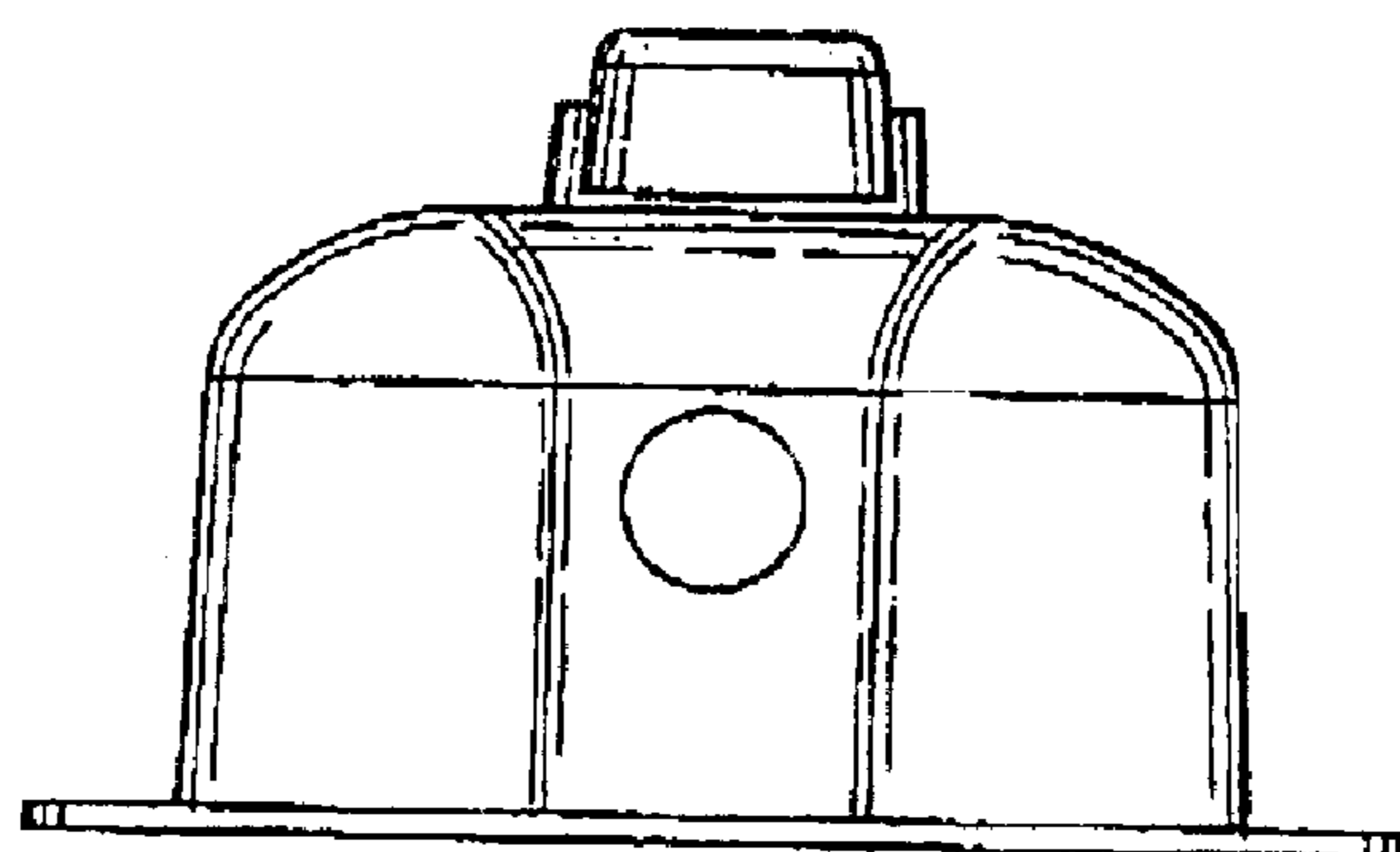


FIG. 5