



US00D519314S

(12) **United States Design Patent**
Blaise

(10) **Patent No.:** **US D519,314 S**

(45) **Date of Patent:** **** Apr. 25, 2006**

(54) **BLENDER**

(75) Inventor: **Nicolas Blaise**, Nanterre (FR)

(73) Assignee: **SEB S.A.**, Ecully Cedex (FR)

(**) Term: **14 Years**

(21) Appl. No.: **29/206,061**

(22) Filed: **May 26, 2004**

(51) **LOC (8) Cl.** **31-00**

(52) **U.S. Cl.** **D7/378**

(58) **Field of Classification Search** D7/376-384,
D7/412, 413; 241/33, 36, 101.01, 101.1,
241/101.2, 168, 169.1, 169.2, 199, 282.1,
241/282.2, 291, 292.1; 366/64, 65, 98, 129,
366/130, 146, 205, 318, 325.3, 341-343
See application file for complete search history.

(56) **References Cited**

U.S. PATENT DOCUMENTS

- D115,517 S * 7/1939 Hook D7/378
- D179,382 S * 12/1956 Danin D7/378
- 3,537,691 A * 11/1970 Miyoshi et al. 241/282.2
- D373,504 S * 9/1996 Leverrier D7/378
- D394,986 S * 6/1998 Lallemand D7/378

- D439,797 S * 4/2001 Planca et al. D7/378
- D453,443 S * 2/2002 Hoare et al. D7/378
- D466,759 S * 12/2002 Moore D7/378
- D484,357 S * 12/2003 Seum et al. D7/378
- D487,213 S * 3/2004 Boyle et al. D7/378
- D499,602 S * 12/2004 Feil D7/378
- 2004/0042337 A1 * 3/2004 Yiu et al. 366/199

* cited by examiner

Primary Examiner—Caron D. Veynar

Assistant Examiner—Ricky Pham

(74) *Attorney, Agent, or Firm*—Browdy and Neimark, PLLC

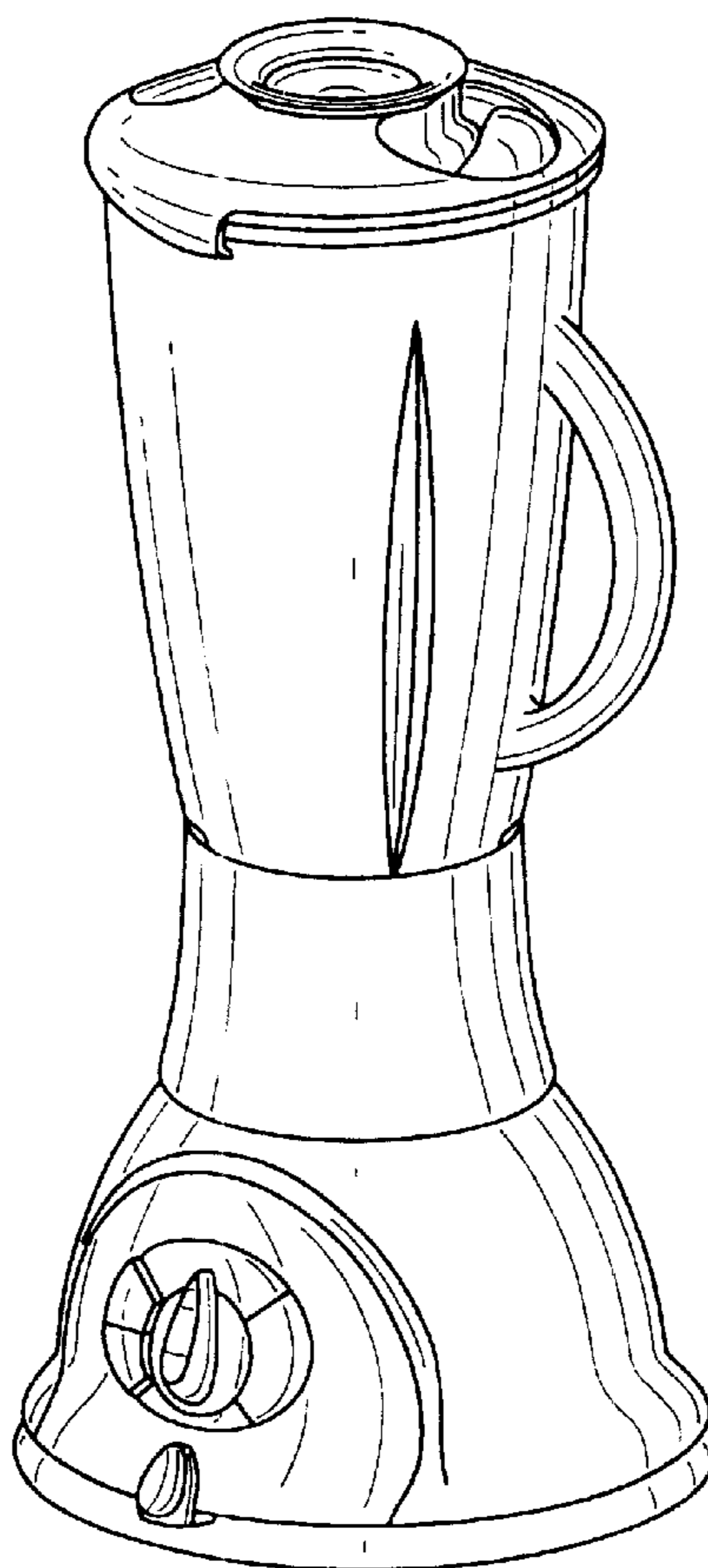
(57) **CLAIM**

The ornamental design for a blender, as shown.

DESCRIPTION

FIG. 1 is a front elevation view of a blender showing my new design;
 FIG. 2 is a rear elevation view thereof;
 FIG. 3 is a left elevation view thereof;
 FIG. 4 is a right elevation view thereof;
 FIG. 5 is a top plan view thereof;
 FIG. 6 is a bottom plan view thereof; and,
 FIG. 7 is a perspective view thereof.

1 Claim, 7 Drawing Sheets



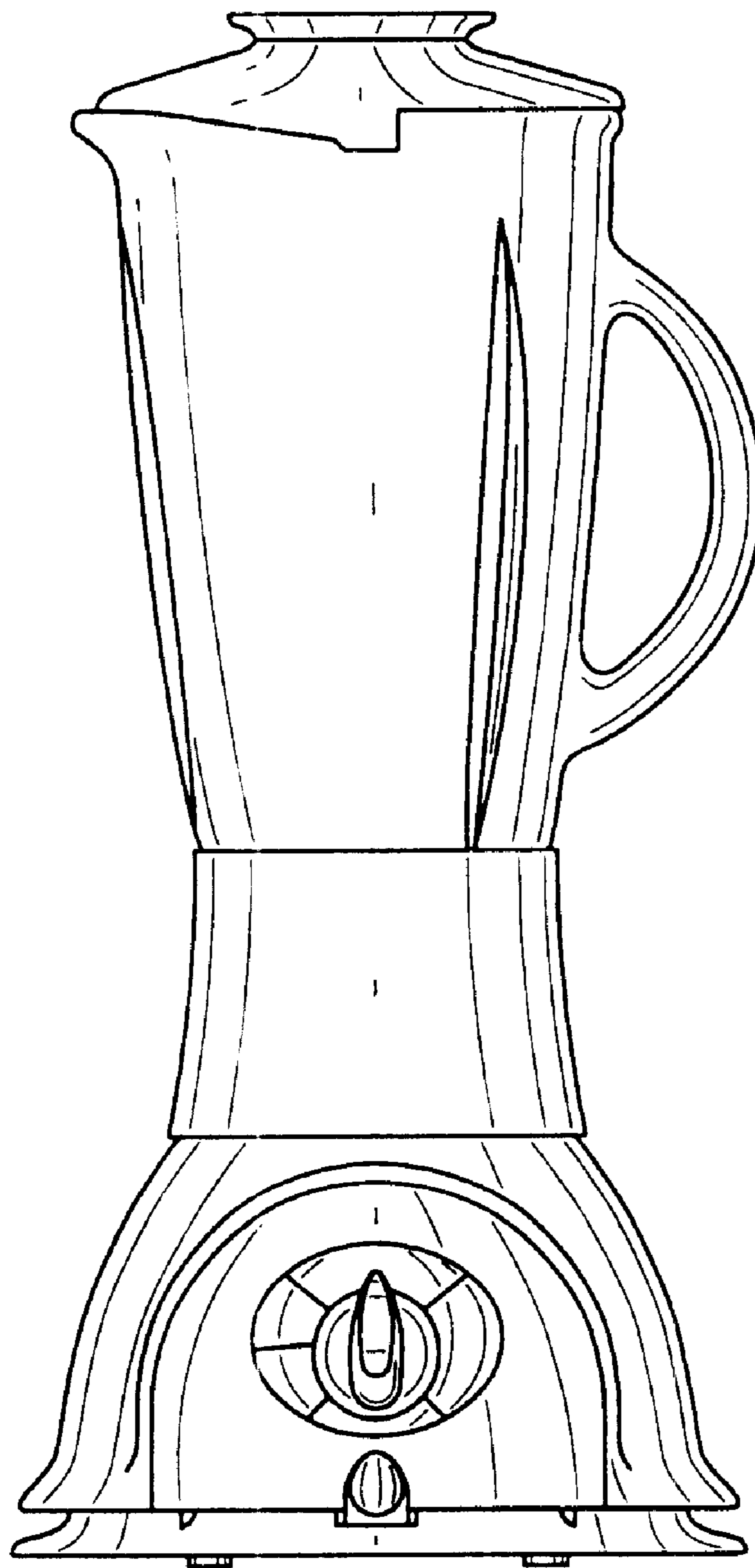


FIG. 1

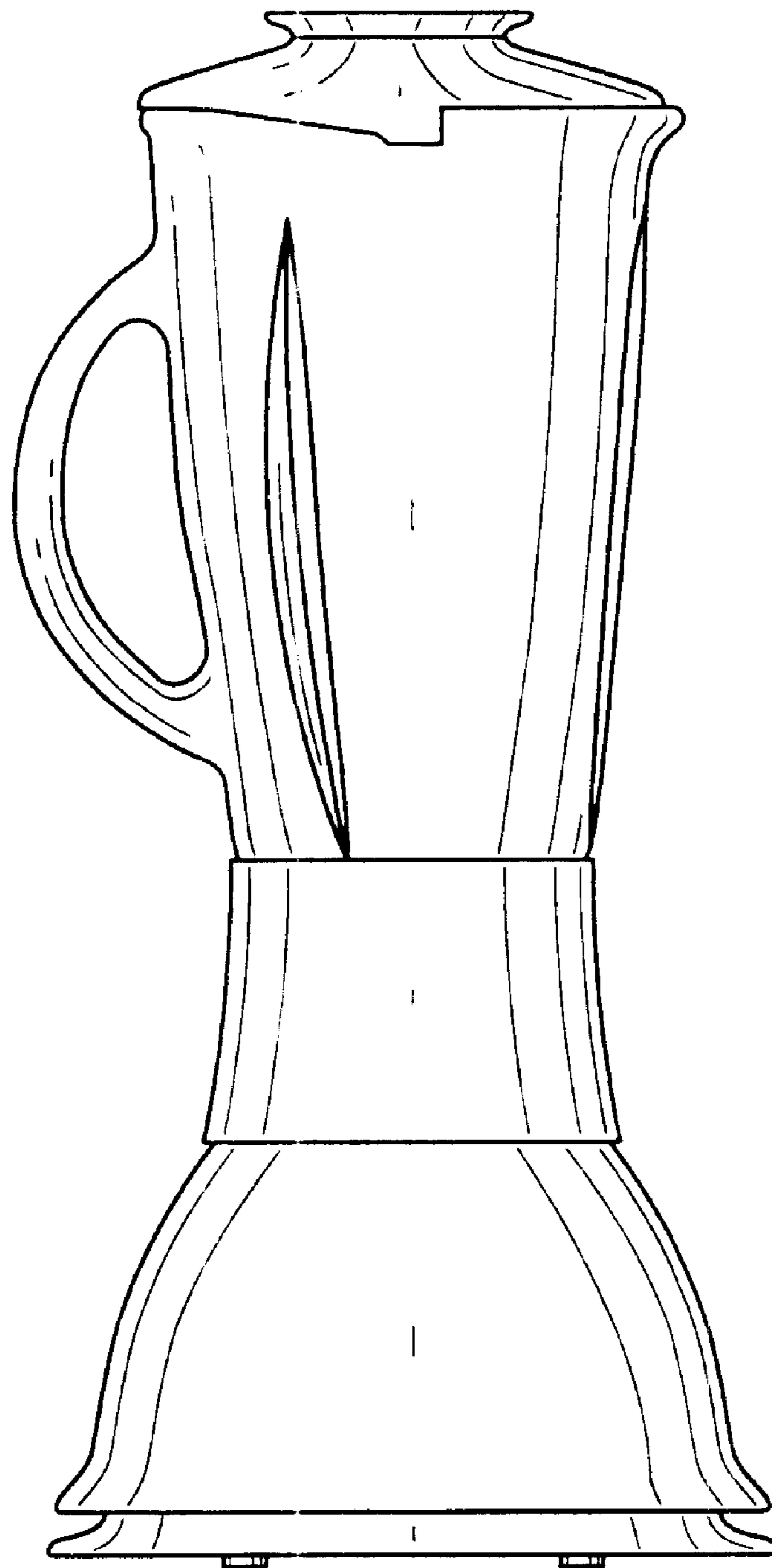


FIG. 2

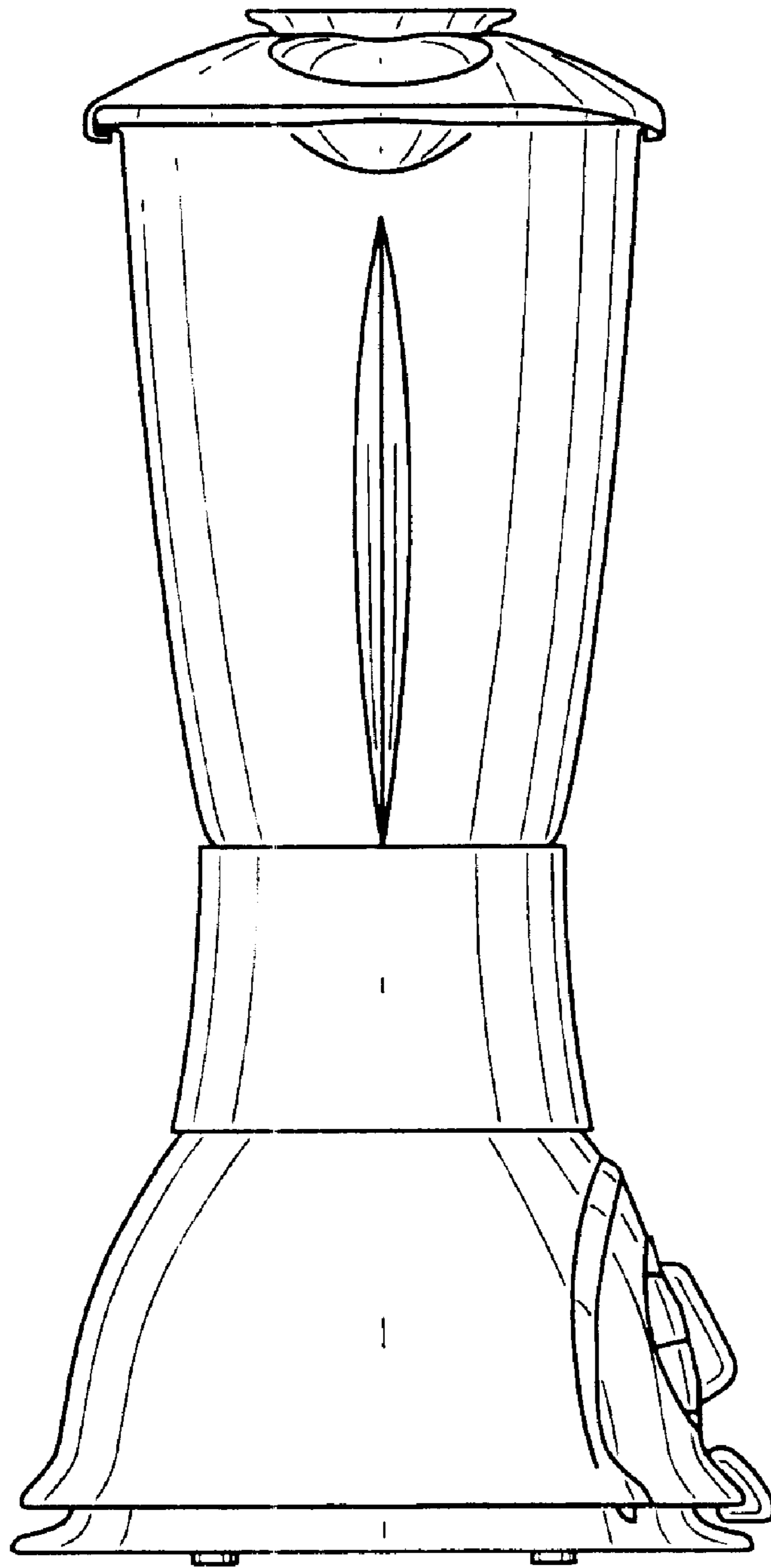


FIG. 3

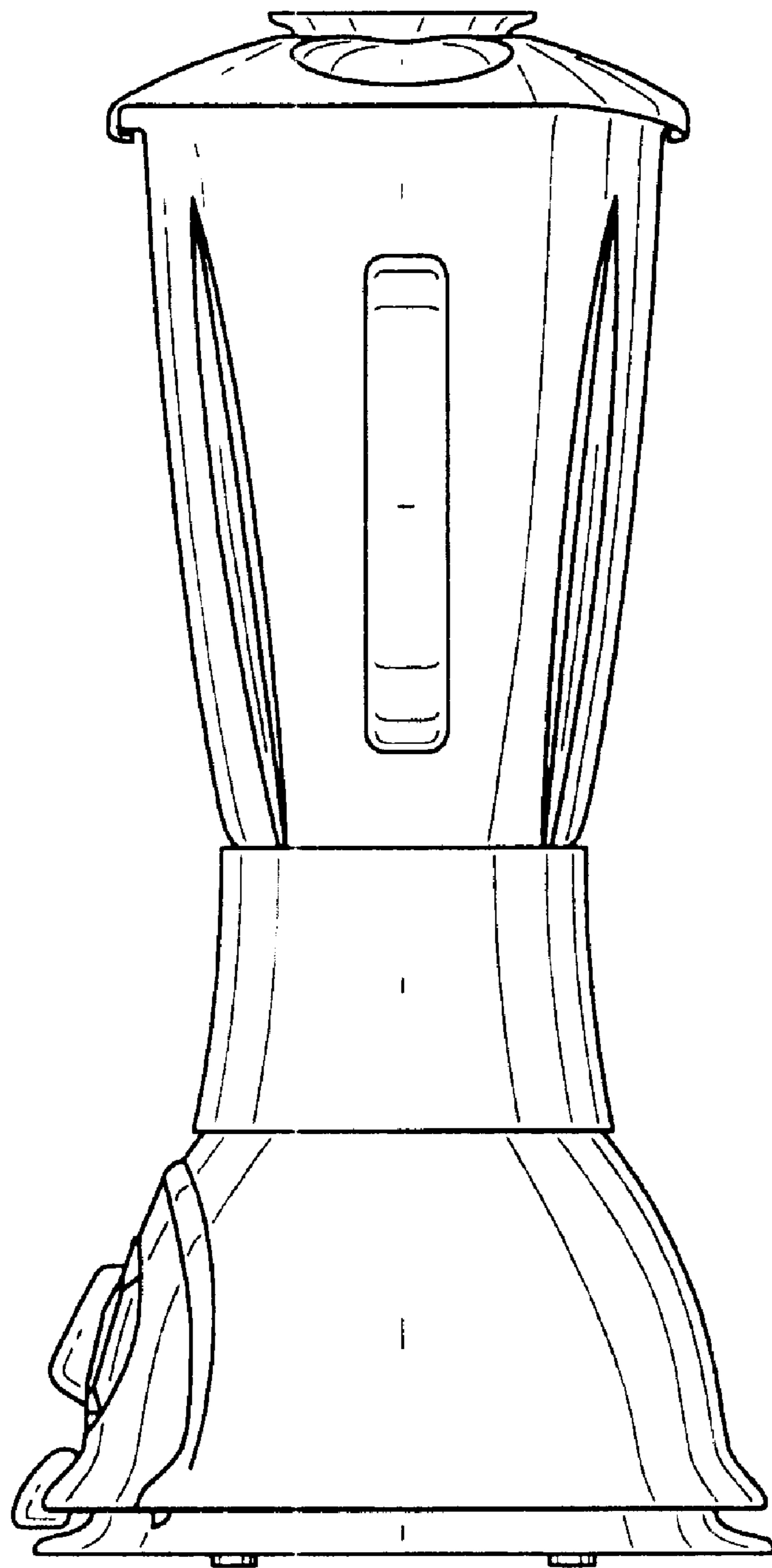


FIG. 4

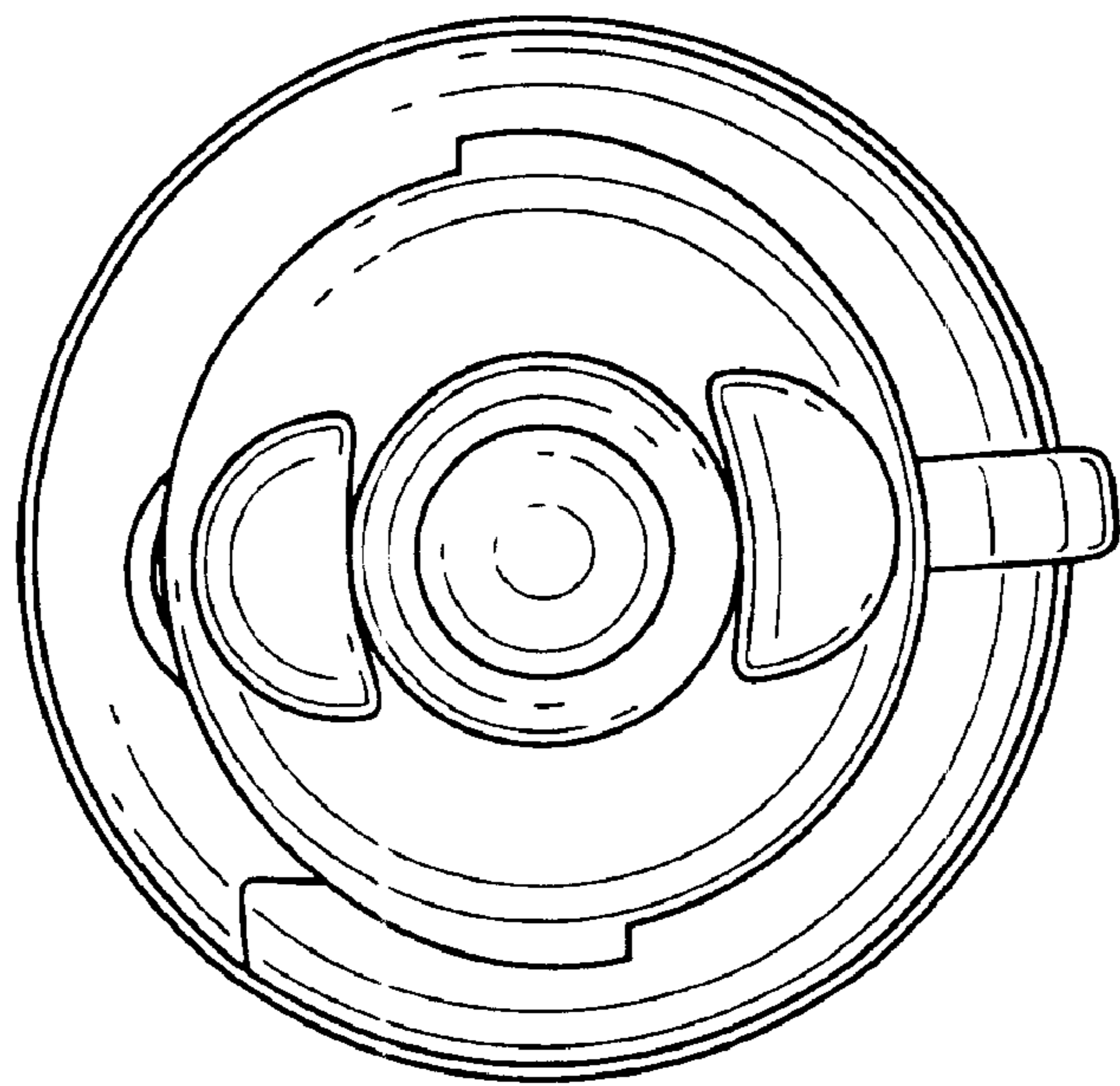


FIG. 5

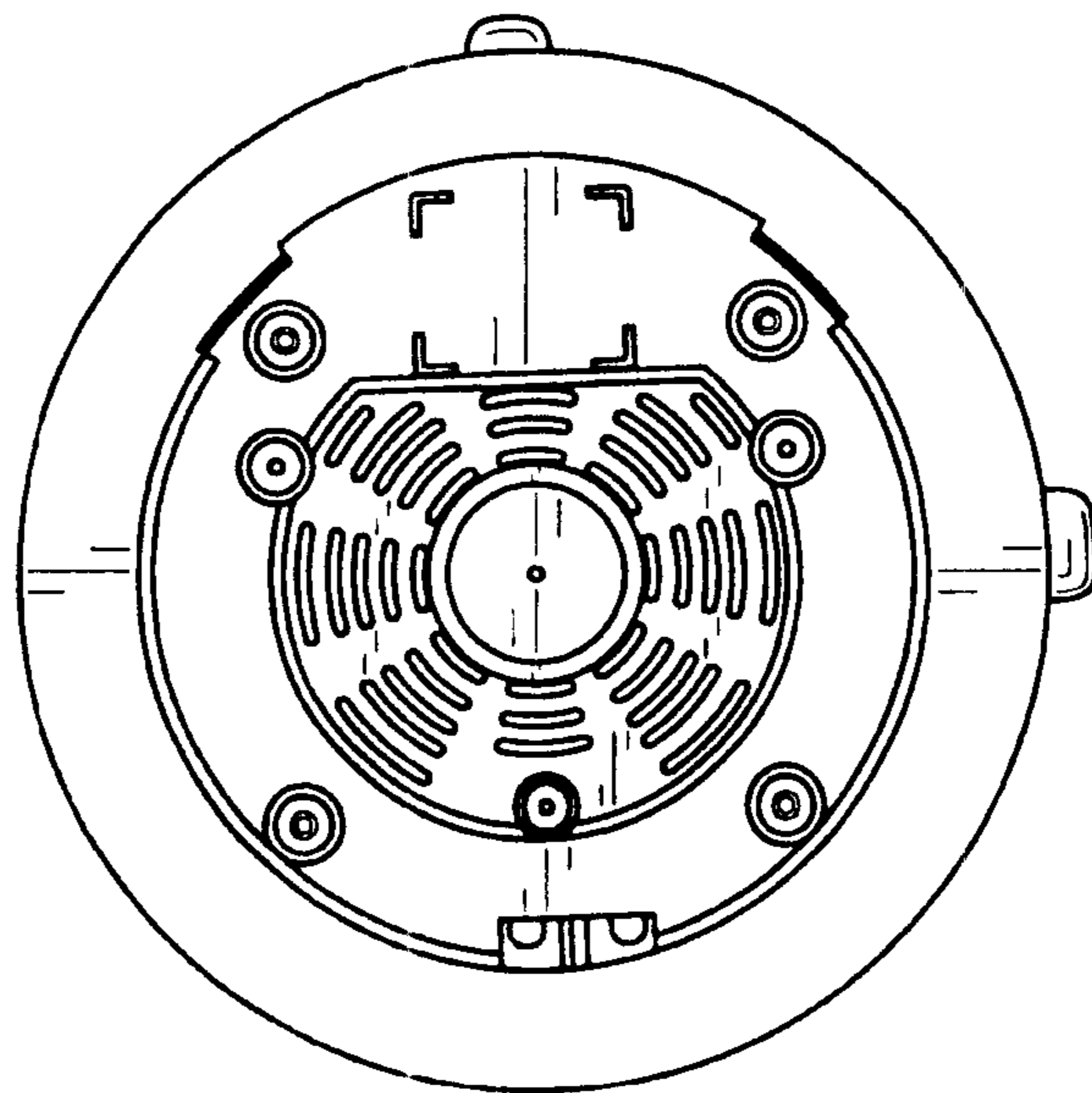


FIG. 6

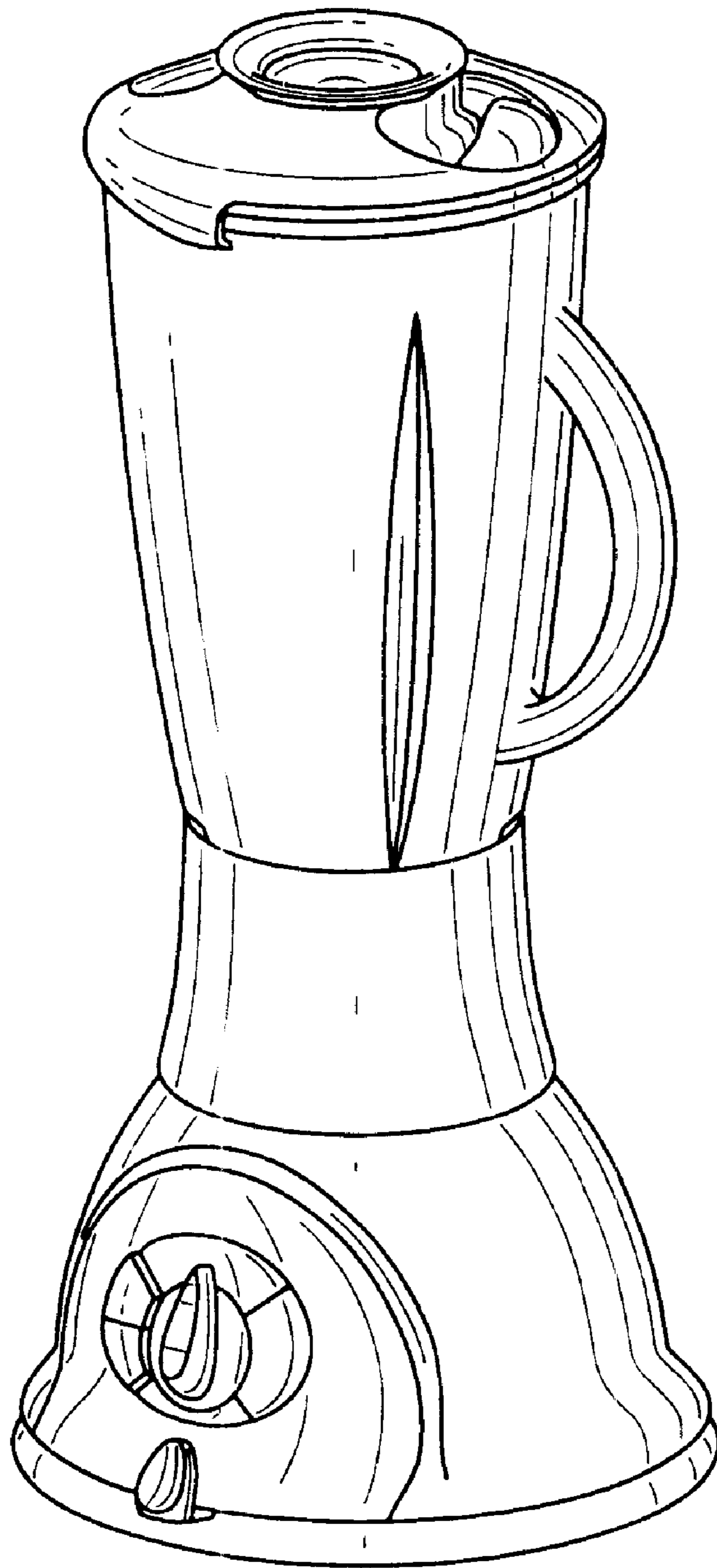


FIG. 7