



US00D519310S

(12) **United States Design Patent**
Schorling

(10) **Patent No.:** **US D519,310 S**

(45) **Date of Patent:** **** Apr. 25, 2006**

(54) **KIT FOR HANGING PANEL CURTAINS**

D488,055 S * 4/2004 Ter Braak D8/377
D493,769 S * 8/2004 Kessler et al. D13/102

(75) Inventor: **Stefan Schorling**, Fellingsbro (SE)

* cited by examiner

(73) Assignee: **Hasta IP Holding AB**, Koping (SE)

Primary Examiner—Holly H. Baynham

(**) Term: **14 Years**

(74) *Attorney, Agent, or Firm*—Mark P. Stone

(21) Appl. No.: **29/220,210**

(57) **CLAIM**

(22) Filed: **Dec. 28, 2004**

The ornamental design for “a kit for hanging panel curtains,” as shown and described.

(51) **LOC (8) Cl.** **06-11**

DESCRIPTION

(52) **U.S. Cl.** **D6/580**

(58) **Field of Classification Search** D8/367,
D8/372, 376–377
See application file for complete search history.

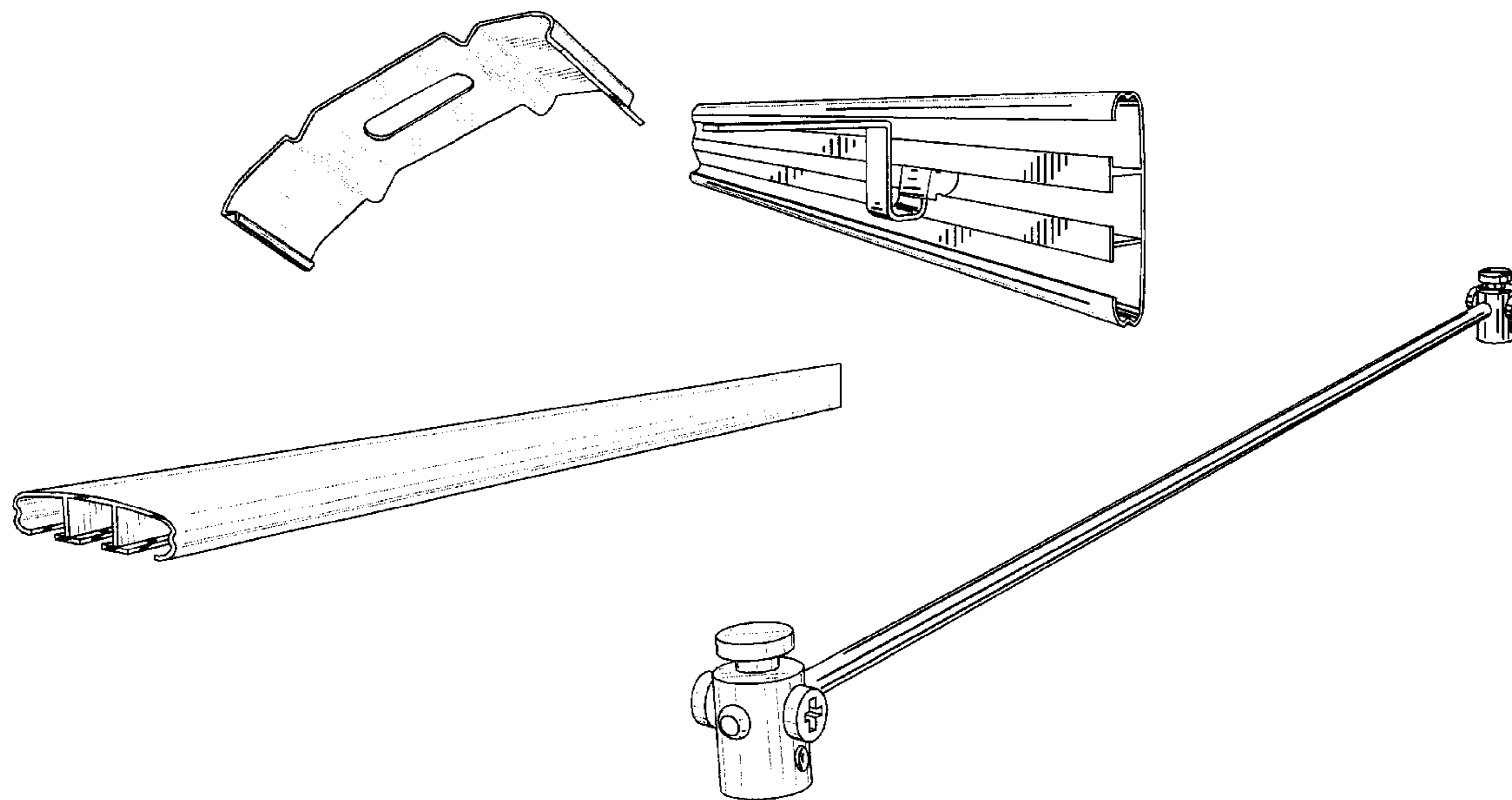
FIG. 1 is a perspective view of a snap support for a curtain rod illustrating one component of “a kit for hanging panel curtains” in accordance with my new design; FIG. 2 shows an elevational view, in perspective of the right hand side of the curtain rod with hook attachment in accordance with my kit for hanging panel curtains; FIG. 3 is a perspective view illustrating a portion of the top, and left end thereof; and, FIG. 4 is a perspective view of a hanger for panel curtains in accordance with my “kit for hanging panel curtains”. FIG. 3 is shown fragmented for ease of illustration. FIGS. 1–4 depict elements of a kit for hanging panel curtains and are shown separately for convenient purposes only.

(56) **References Cited**

U.S. PATENT DOCUMENTS

- D432,004 S * 10/2000 Lopez D8/376
- D436,025 S * 1/2001 Ohm et al. D8/376
- D464,867 S * 10/2002 Samelson D8/367
- D468,193 S * 1/2003 Ohm et al. D8/376
- D478,271 S * 8/2003 McCoy et al. D8/376

1 Claim, 1 Drawing Sheet



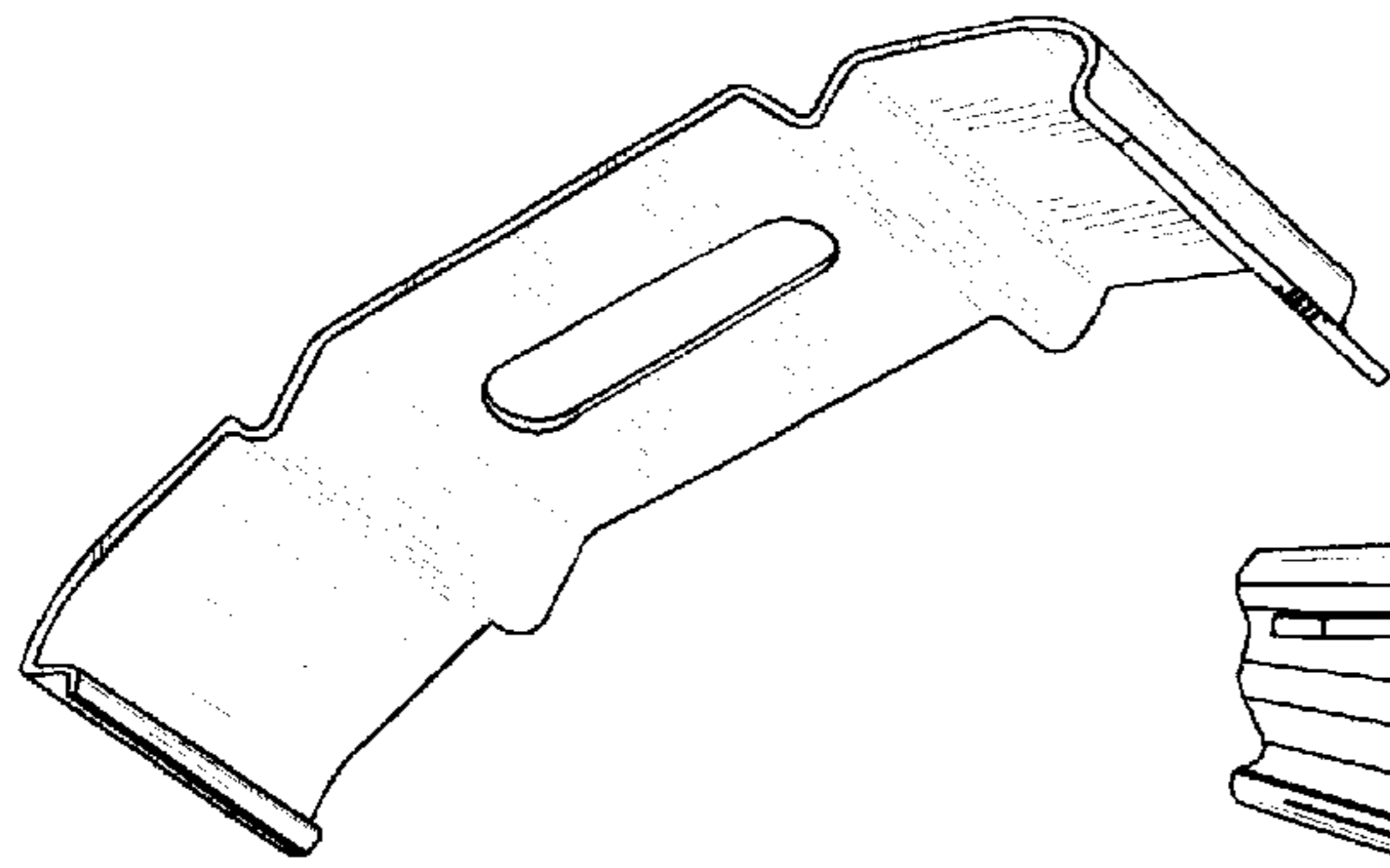


FIG. 1

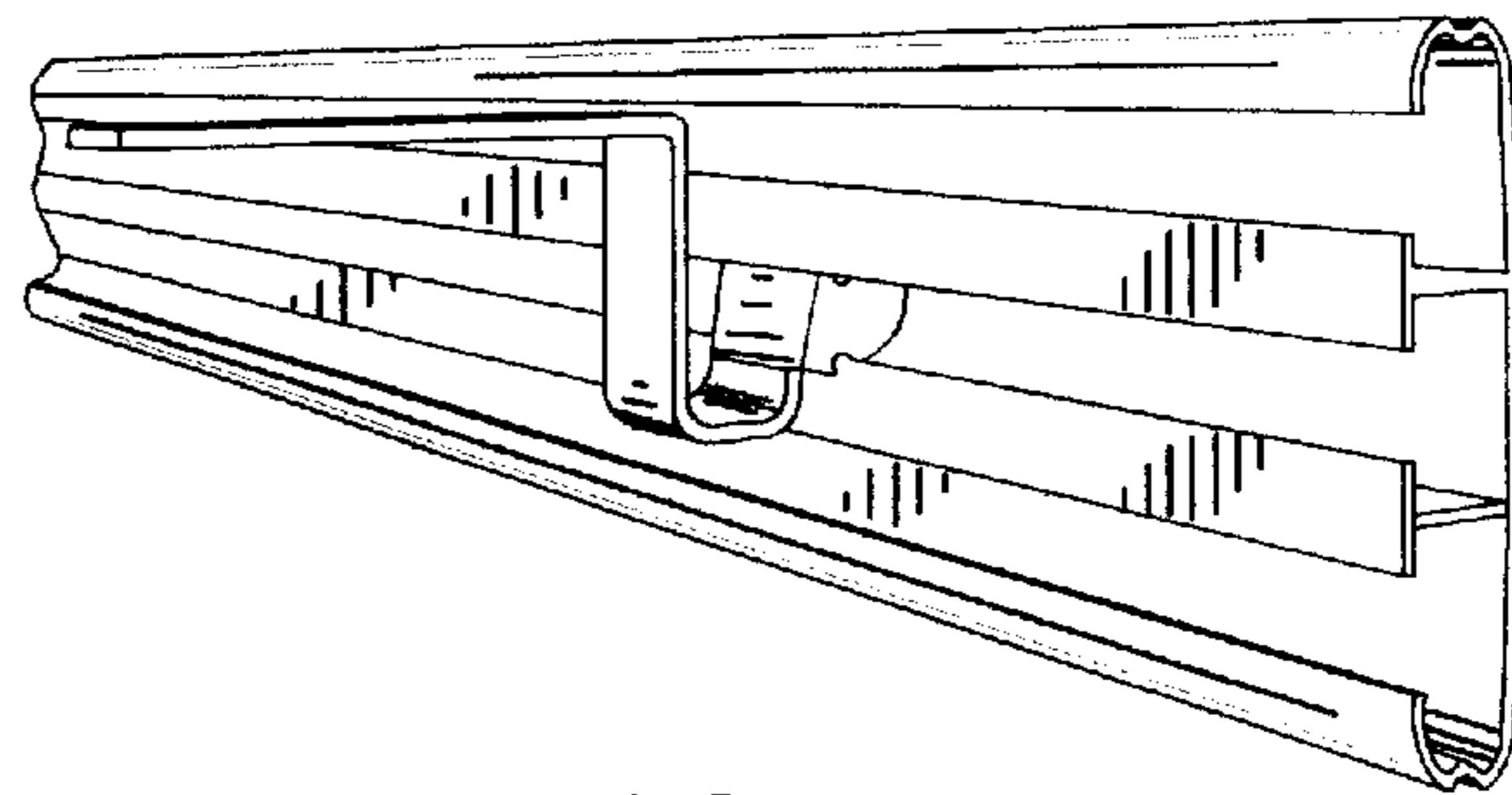


FIG. 2

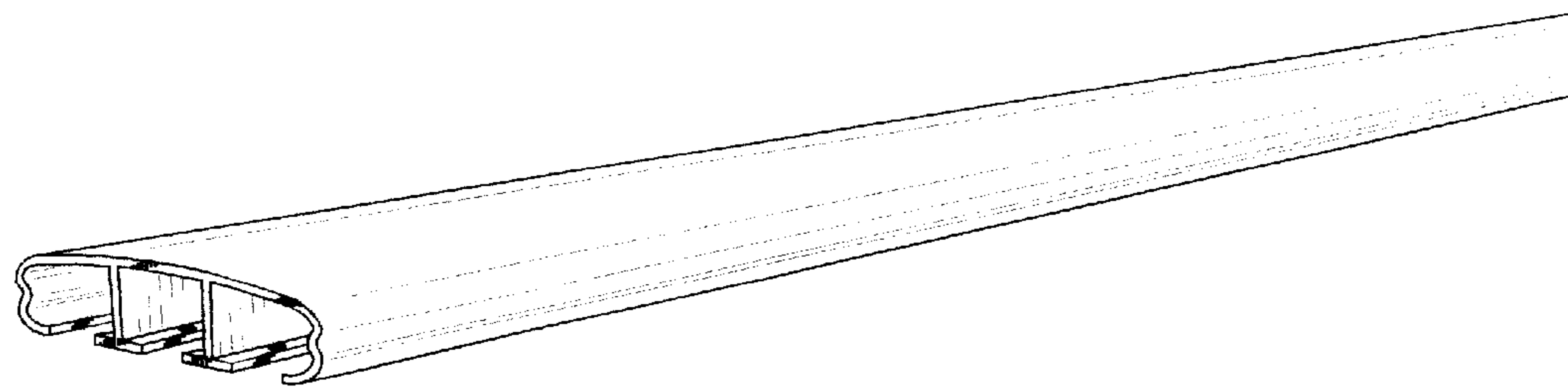


FIG. 3

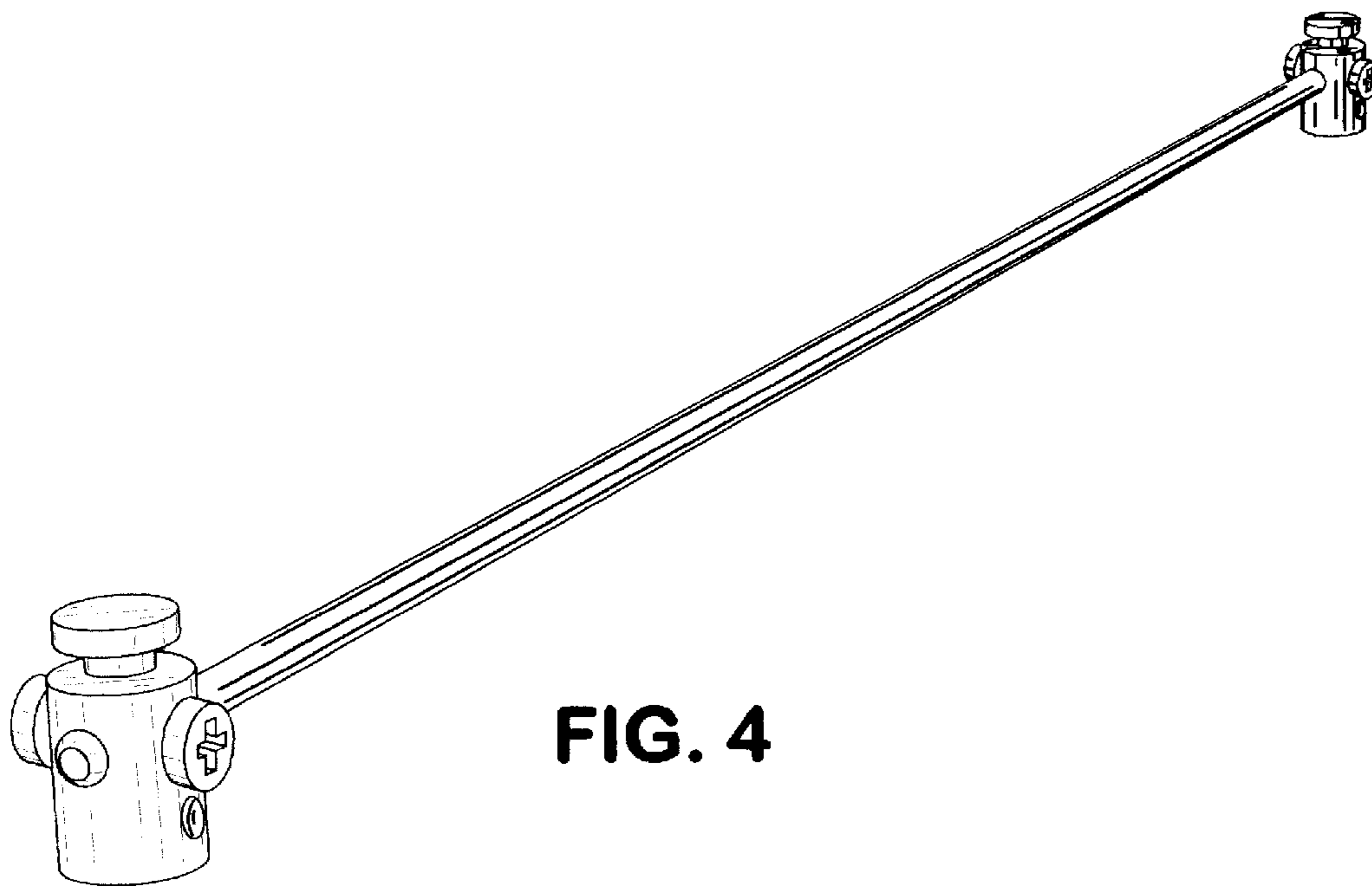


FIG. 4