



US00D519309S

(12) **United States Design Patent**
Terada

(10) **Patent No.:** **US D519,309 S**

(45) **Date of Patent:** **** Apr. 25, 2006**

(54) **GOODS DISPLAY TRAY**

(75) Inventor: **Masamoto Terada**, Tokyo (JP)

(73) Assignee: **Kawajun Co., Ltd.**, Tokyo (JP)

(**) Term: **14 Years**

(21) Appl. No.: **29/203,764**

(22) Filed: **Apr. 20, 2004**

(30) **Foreign Application Priority Data**

Oct. 20, 2003 (JP) 2003-030912
Oct. 20, 2003 (JP) 2003-030914

(51) **LOC (8) Cl.** **06-06**

(52) **U.S. Cl.** **D6/511**

(58) **Field of Classification Search** D6/396,
D6/397, 399, 426, 477-479, 511, 574, 406.1,
D6/406.3; 108/152, 50.11, 115, 40; 211/90.01,
211/134, 153, 183, 90.02; 248/240
See application file for complete search history.

(56) **References Cited**

U.S. PATENT DOCUMENTS

D31,157 S	*	7/1899	Stover	D6/511
2,647,678 A	*	8/1953	Olson	D6/406.3
2,694,610 A	*	11/1954	Russell	211/90.01
2,921,692 A	*	1/1960	Gilchrist, Jr.	211/153
3,620,174 A	*	11/1971	Dentino	108/152
D276,043 S	*	10/1984	Fitzner et al.	D6/511
D291,635 S	*	9/1987	Dickman	D6/511
4,917,279 A	*	4/1990	Brow et al.	224/42.14
5,069,142 A	*	12/1991	Matre	D6/511
D325,838 S	*	5/1992	Lamprey	D6/574
5,156,096 A	*	10/1992	Lamprey	108/152
D352,198 S	*	11/1994	Wright et al.	D6/574
D364,057 S	*	11/1995	Bowman	D6/511

D366,799 S	*	2/1996	Curtin	D6/574
D379,727 S	*	6/1997	Rylen	D6/511
D388,987 S	*	1/1998	Simpson et al.	D6/511
D391,796 S	*	3/1998	Chen	D6/574
6,158,360 A	*	12/2000	Cheng	211/90.01
D443,165 S	*	6/2001	Petri	D6/574
D452,627 S	*	1/2002	Petri	D6/511
6,443,407 B1	*	9/2002	Ibrahim	248/163.2
6,920,977 B1	*	7/2005	VanSkiver et al.	D3/262

* cited by examiner

Primary Examiner—Cathron C. Brooks

(74) *Attorney, Agent, or Firm*—Oblon, Spivak, McClelland, Maier & Neustadt, P.C.

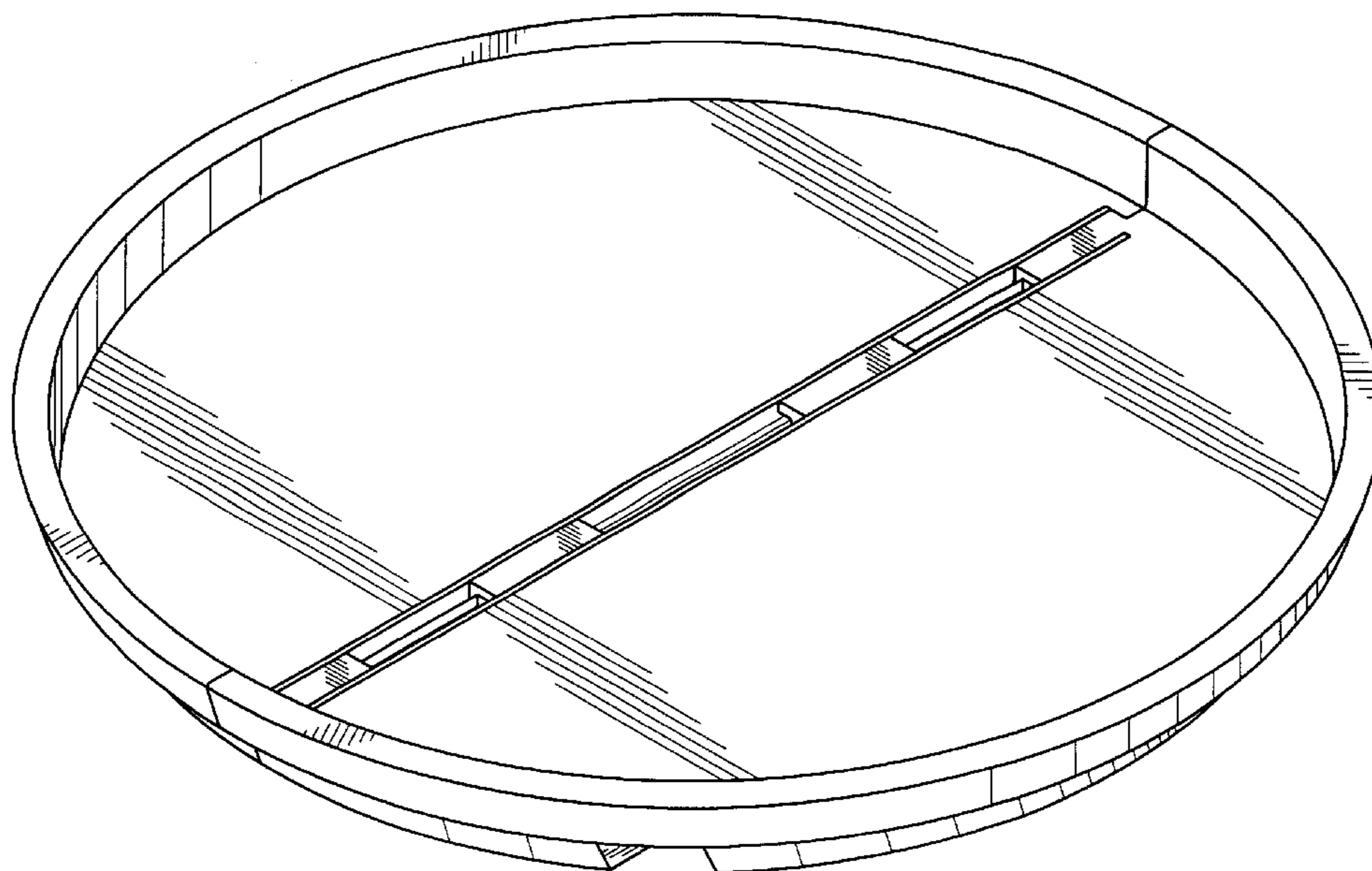
(57) **CLAIM**

The ornamental design for a goods display tray, as shown and described.

DESCRIPTION

FIG. 1 is a top and right front perspective view of a goods display tray, showing my new design;
 FIG. 2 is a right side elevational view thereof, the left side elevational view being a mirror image of the side view shown;
 FIG. 3 is a front elevational view thereof, the rear elevational view being a mirror image of the front view shown;
 FIG. 4 is a top plan view thereof;
 FIG. 5 is a bottom plan view thereof;
 FIG. 6 is a cross-section view taken along line A—A of FIG. 4; and,
 FIG. 7 is a top and right perspective view thereof in a state of use when holding articles for display.
 The broken line showing of the articles for display in FIG. 7 is for illustrative purposes only and forms no part of the claimed design.

1 Claim, 4 Drawing Sheets



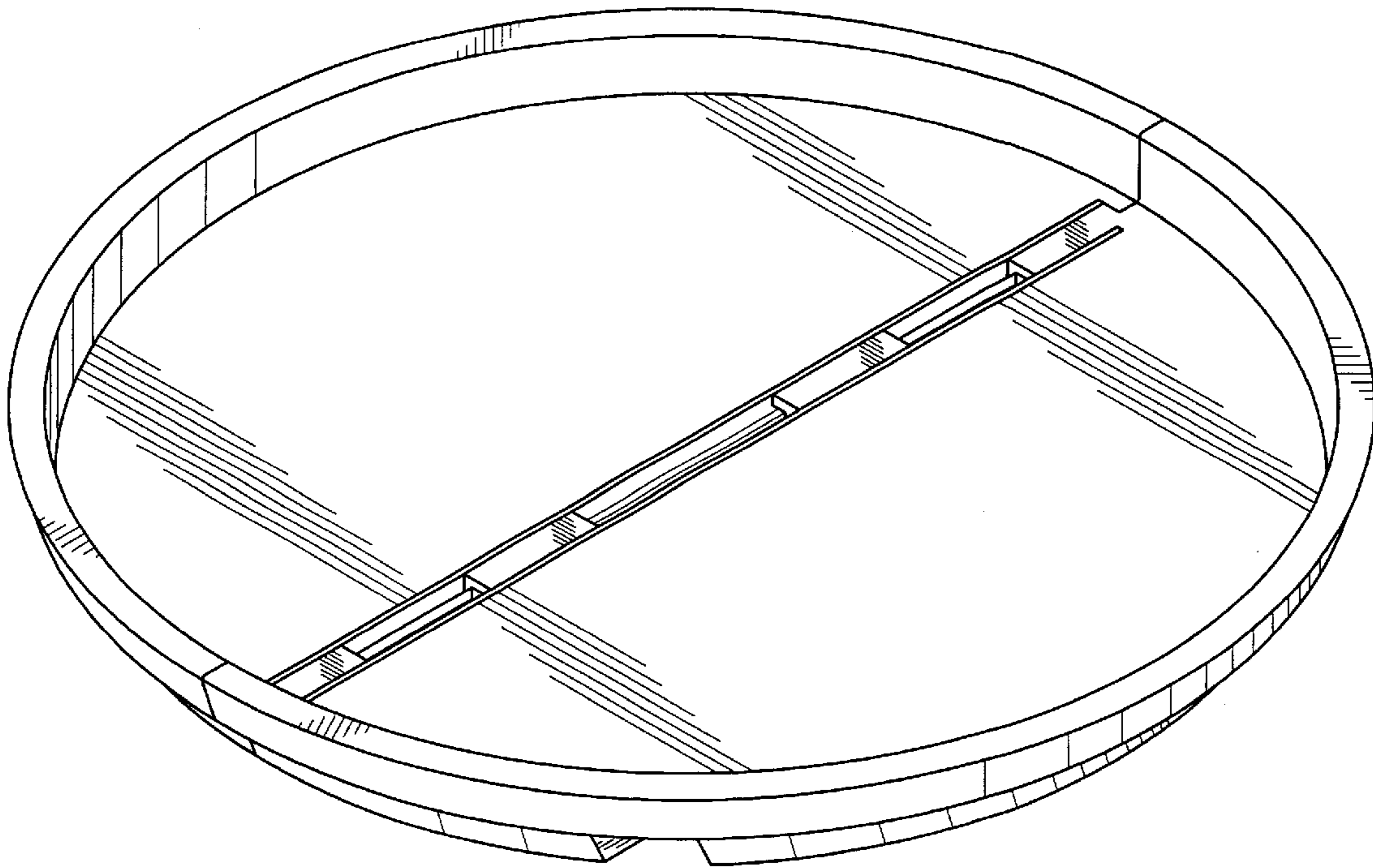


FIG. 1

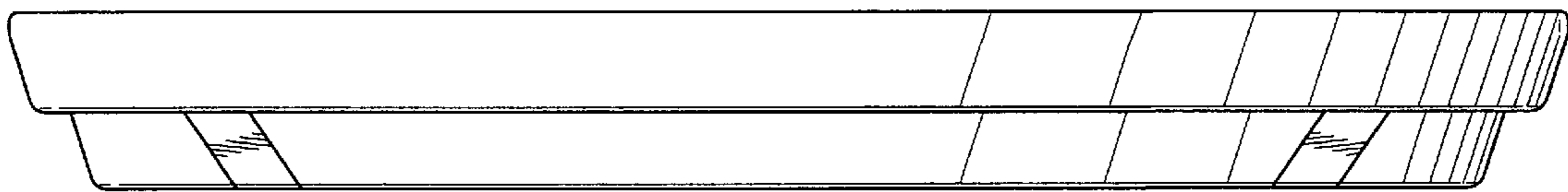


FIG. 2

Fig. 3

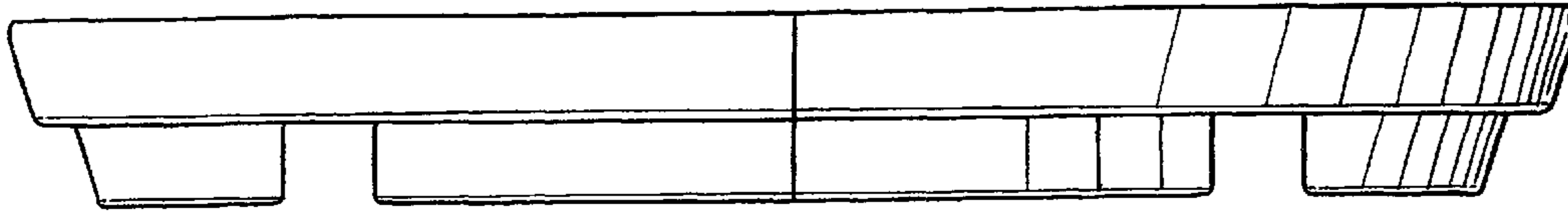


Fig. 4

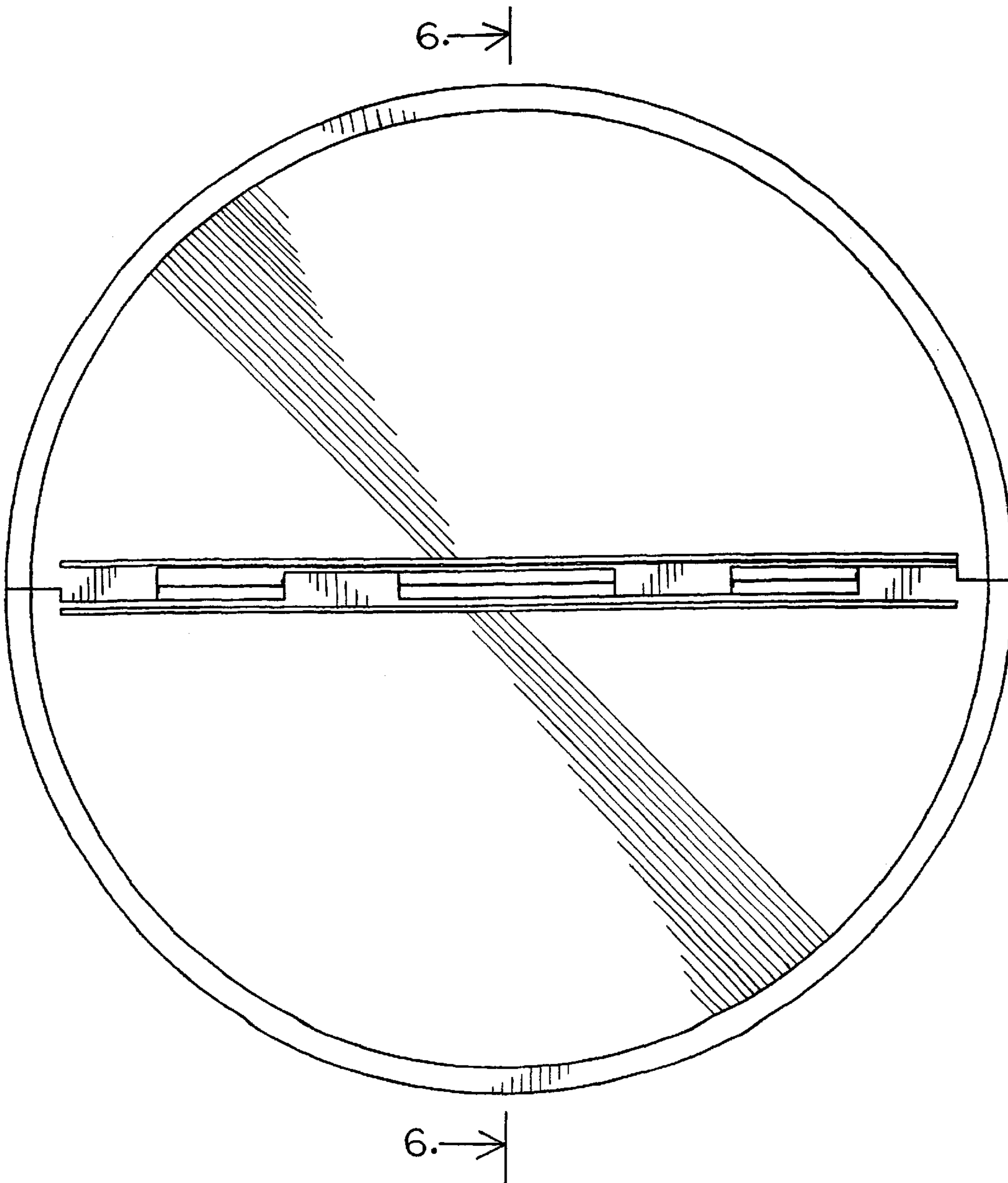


Fig. 5

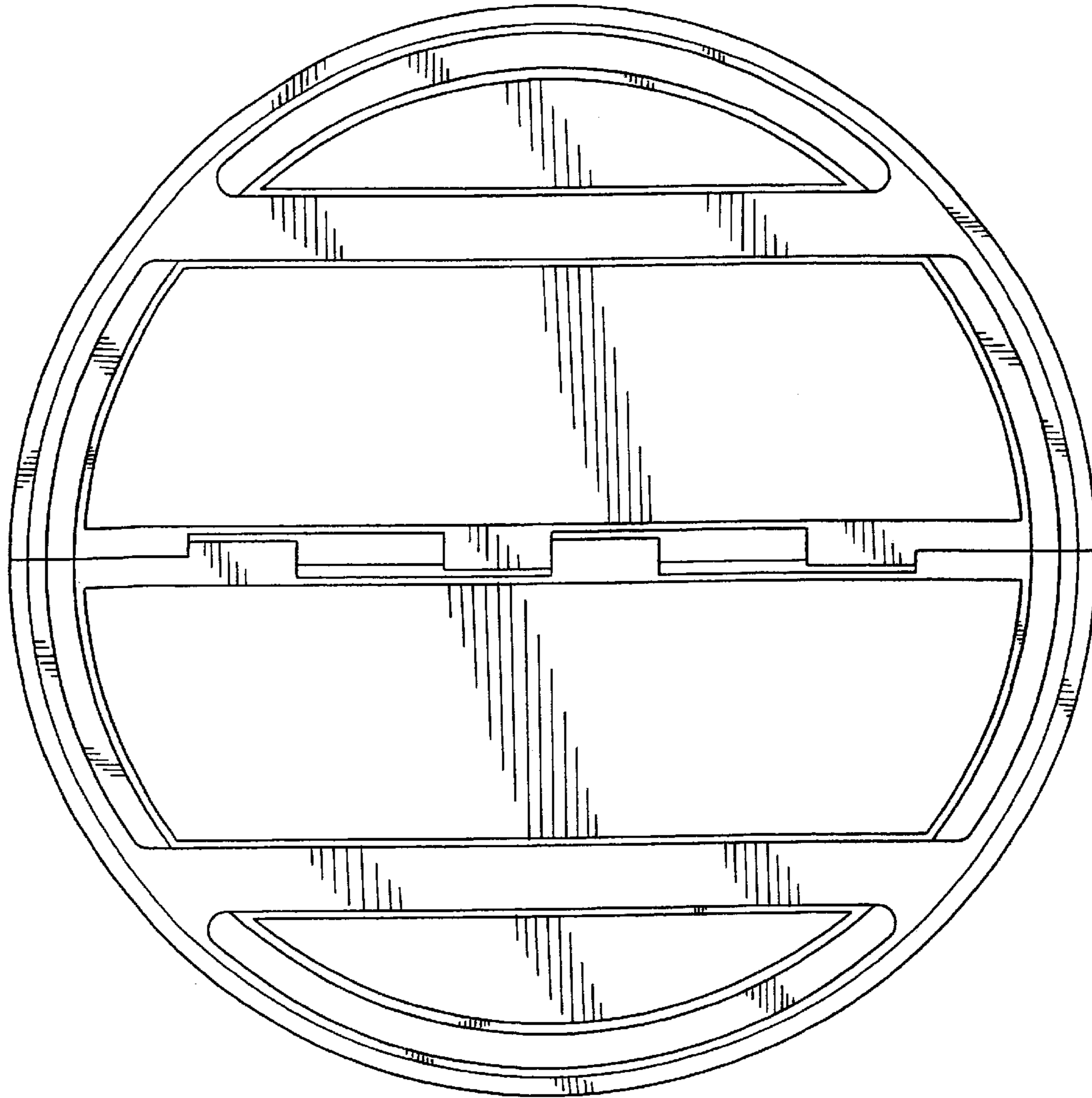
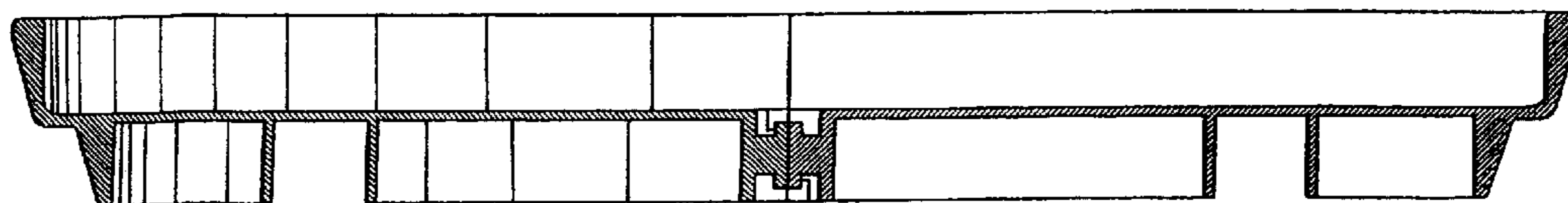


Fig. 6



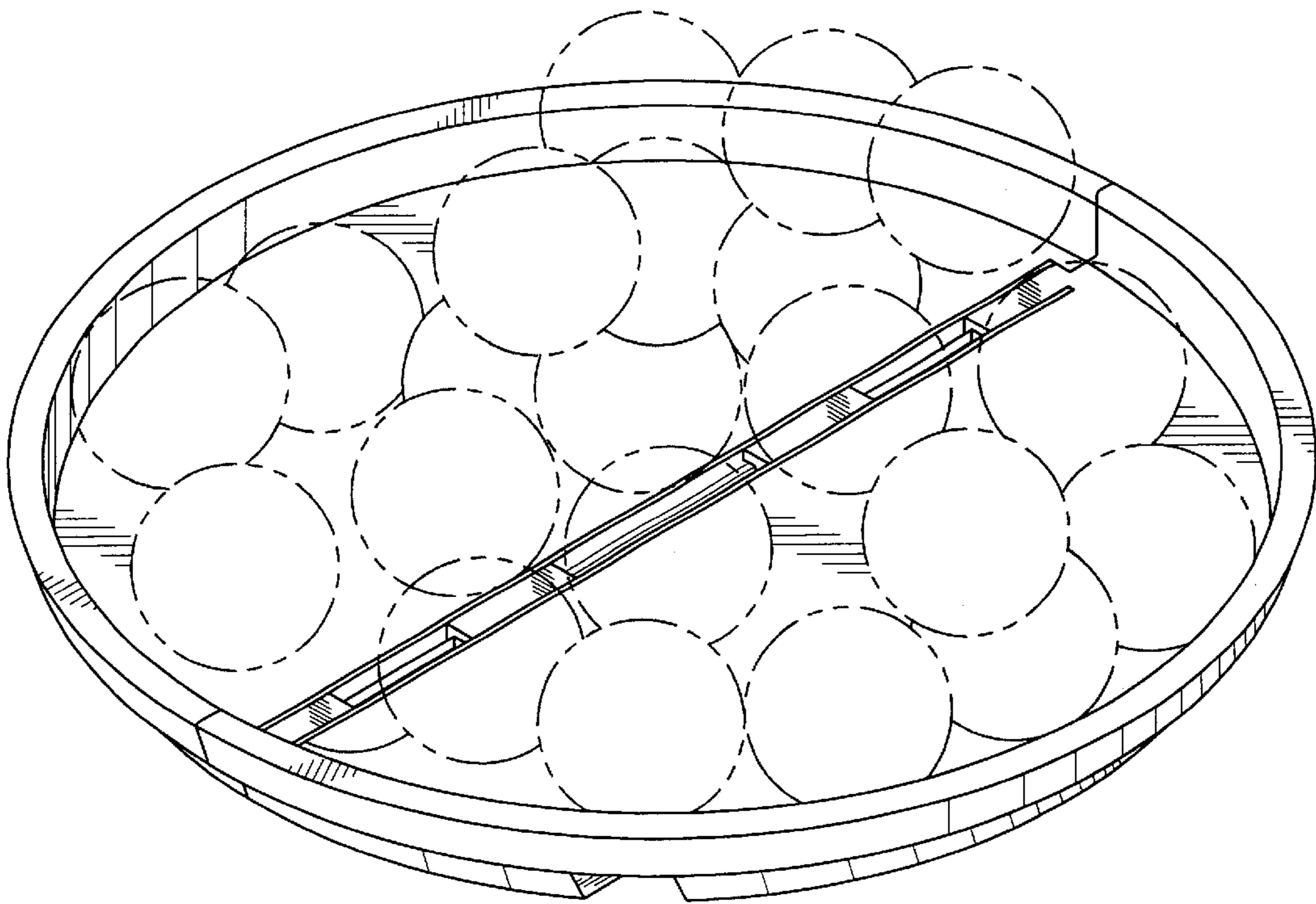


FIG. 7