



US00D519307S

(12) **United States Design Patent**
Mohundro

(10) **Patent No.:** **US D519,307 S**

(45) **Date of Patent:** **** Apr. 25, 2006**

(54) **BED HEADBOARD**

D492,502 S * 7/2004 Domack D6/393
D503,295 S * 3/2005 O'Hare D6/393

(75) Inventor: **James Glenn Mohundro**, Taichung
(TW)

OTHER PUBLICATIONS

Thomasville Domain, May 1989, p. 9, bed at top.*

(73) Assignee: **Pacific Marketing International**
(H.K.) Limited, Taichung (TW)

* cited by examiner

(**) Term: **14 Years**

Primary Examiner—Janice E. Seeger

(21) Appl. No.: **29/207,561**

(74) *Attorney, Agent, or Firm*—Rosenberg, Klein & Lee

(22) Filed: **Jun. 16, 2004**

(57) **CLAIM**

(51) **LOC (8) Cl.** **06-06**

The ornamental design for a bed headboard, as shown and described.

(52) **U.S. Cl.** **D6/505**

(58) **Field of Classification Search** D6/382–385,
D6/388–395, 505–508; 5/53.1, 279.1, 280,
5/281, 907, 310

DESCRIPTION

See application file for complete search history.

FIG. 1 is a perspective view of a bed headboard, showing my new design;

FIG. 2 is a front elevational view thereof;

FIG. 3 is a rear elevational view thereof;

FIG. 4 is a left elevational view thereof;

FIG. 5 is a right elevational view thereof;

FIG. 6 is a top plan view thereof; and,

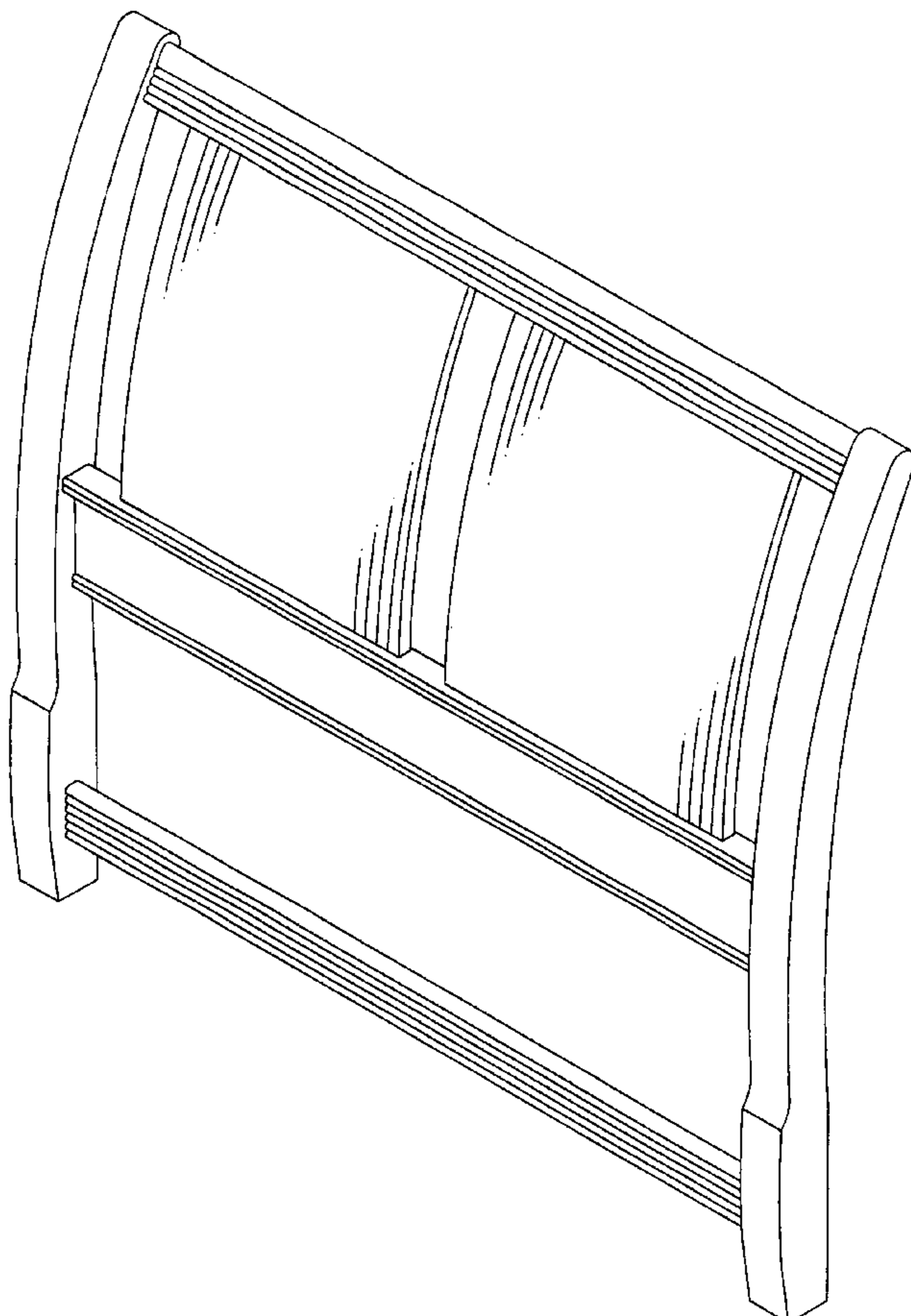
FIG. 7 is a bottom plan view thereof.

(56) **References Cited**

U.S. PATENT DOCUMENTS

D243,987 S * 4/1977 Carter D6/507
D392,811 S * 3/1998 Bergelin D6/393
D486,667 S * 2/2004 Stanton D6/393
D488,317 S * 4/2004 Wanek et al. D6/393

1 Claim, 5 Drawing Sheets



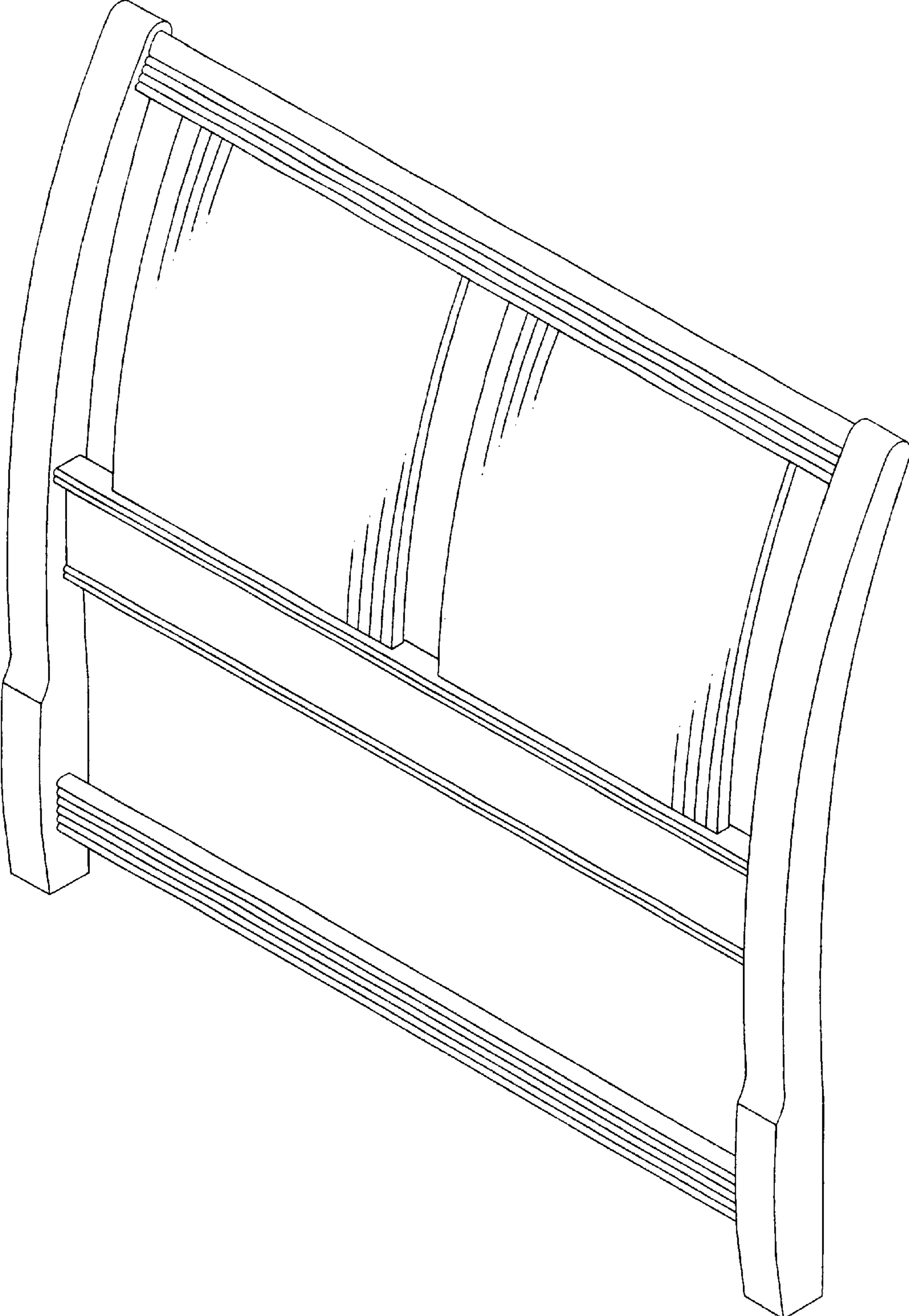


FIG.1

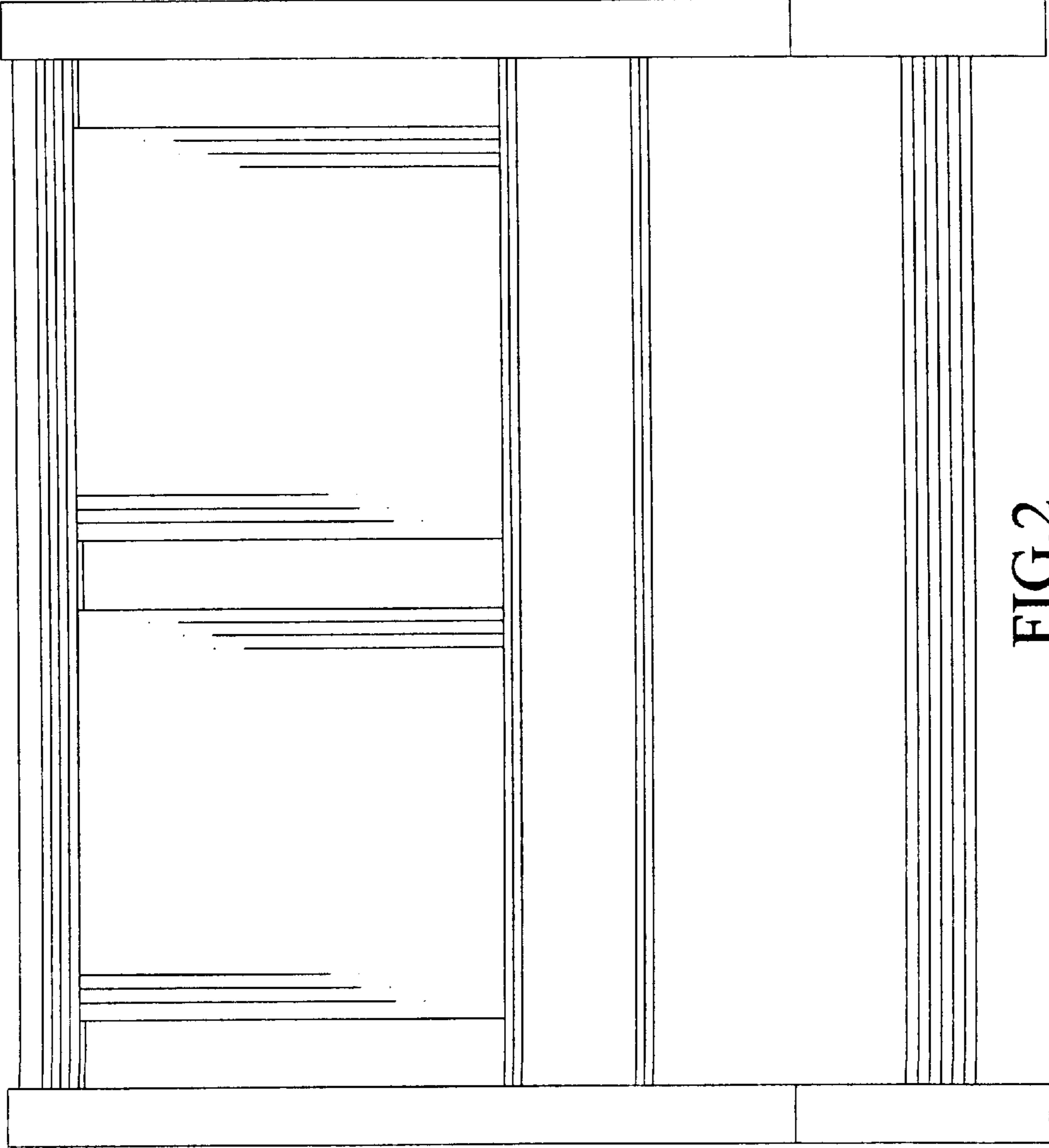


FIG.2

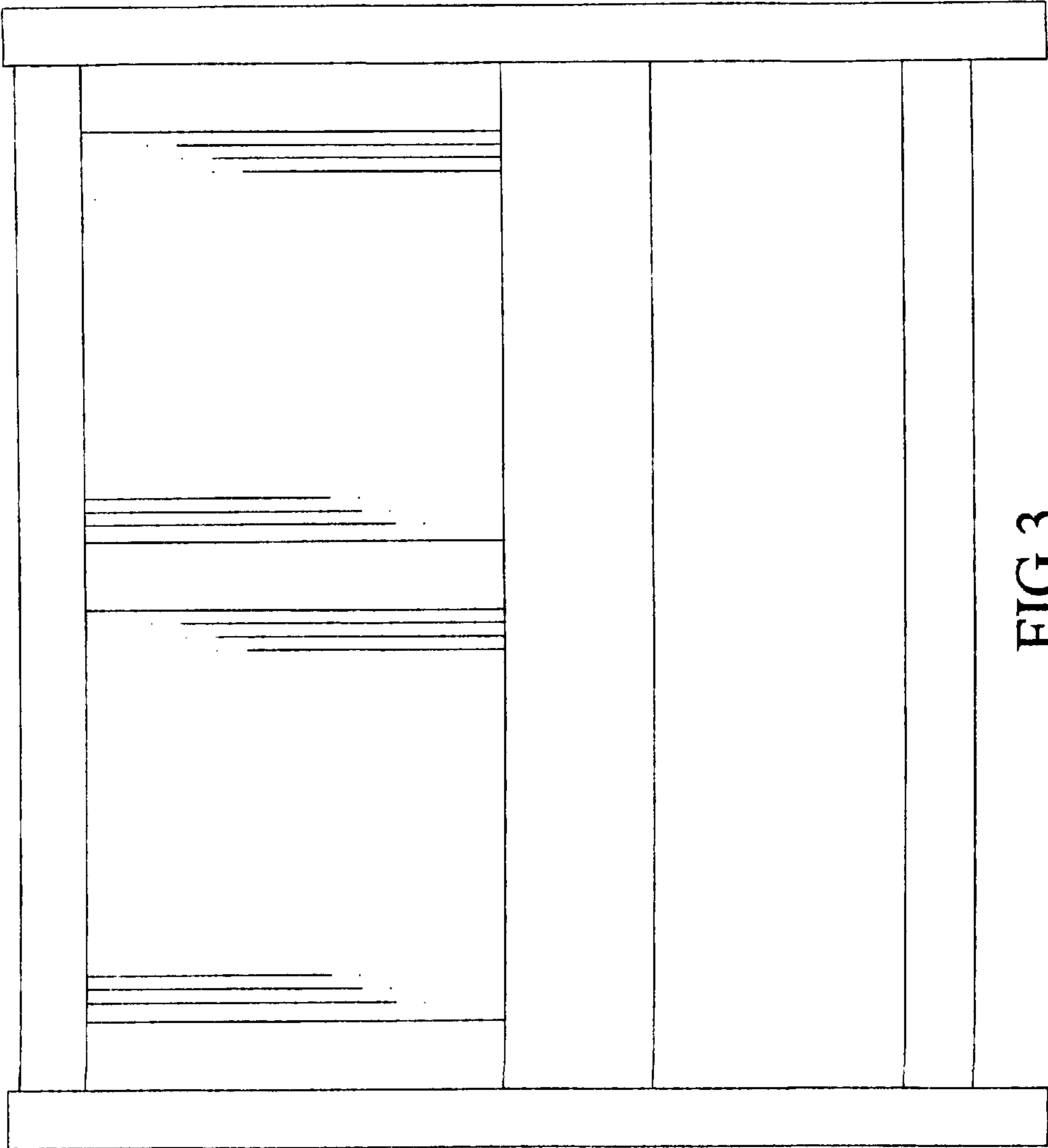


FIG.3

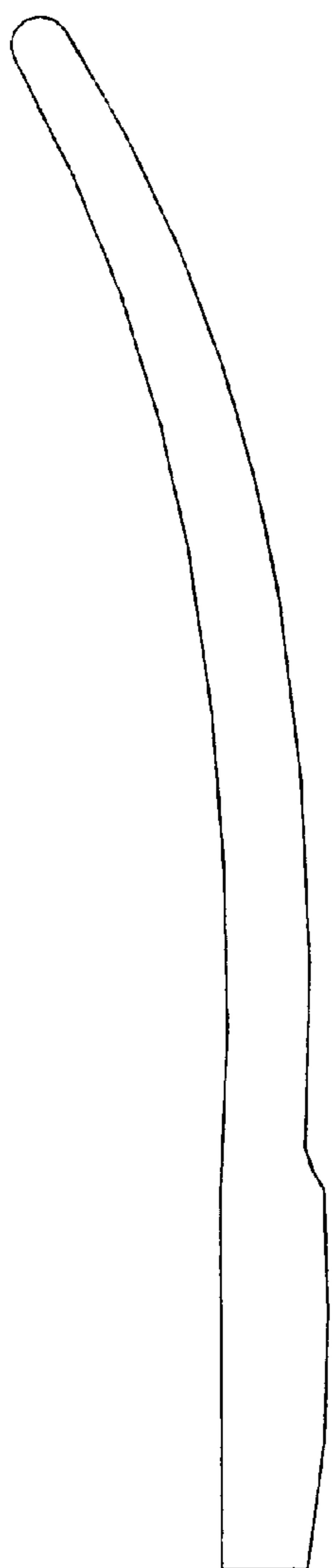


FIG. 4

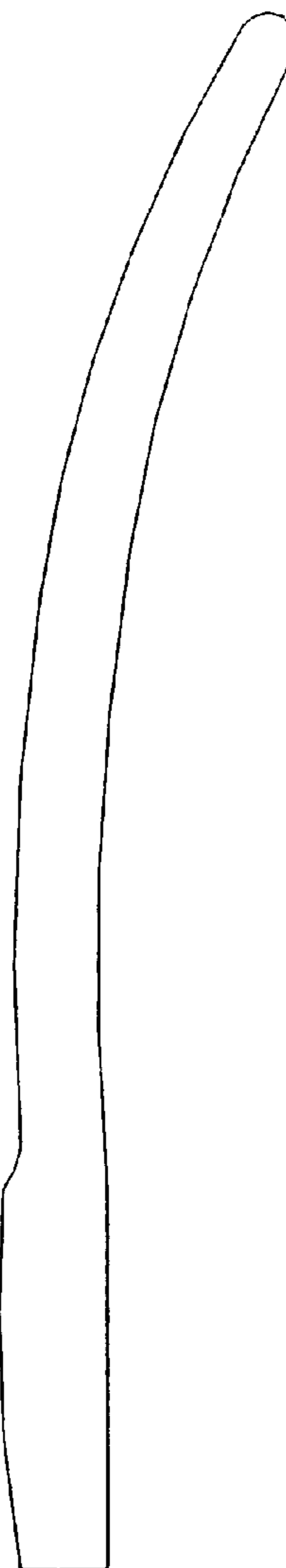


FIG. 5

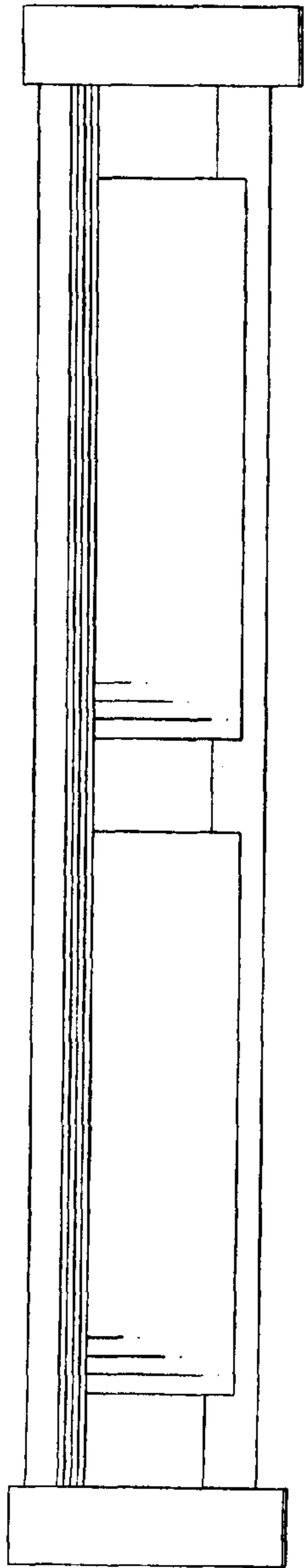


FIG. 6

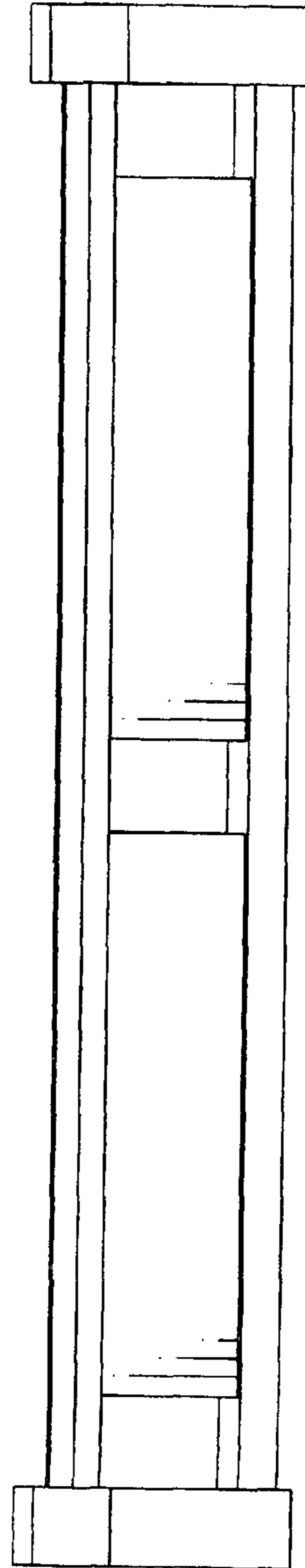


FIG. 7