



US00D519305S

(12) **United States Design Patent**
Pesso

(10) **Patent No.:** **US D519,305 S**

(45) **Date of Patent:** **** Apr. 25, 2006**

(54) **TABLE LEG**

(75) Inventor: **David Allan Pesso**, Boca Raton, FL
(US)

(73) Assignee: **Krueger International, Inc.**, Green
Bay, WI (US)

(**) Term: **14 Years**

(21) Appl. No.: **29/207,334**

(22) Filed: **Jun. 12, 2004**

(51) **LOC (8) Cl.** **06-06**

(52) **U.S. Cl.** **D6/499**

(58) **Field of Classification Search** D6/480-489,
D6/495-499, 511, 429-431; 108/150, 153.1,
108/155, 156, 157.1, 161; 248/188, 188.1,
248/188.8, 188.5

See application file for complete search history.

(56) **References Cited**

U.S. PATENT DOCUMENTS

D104,390 S	*	5/1937	Bond, Jr.	D6/487
D147,114 S		7/1947	Cutrow		
D290,561 S		6/1987	Becker		
D293,400 S	*	12/1987	Stewart	D6/487
D341,506 S		11/1993	Nourse		
D362,983 S	*	10/1995	Magnusson	D6/480
D387,927 S	*	12/1997	Canton Gongora et al.	.	D6/495
D393,967 S	*	5/1998	Grosfillex	D6/495

D468,938 S 1/2003 Williams
D473,735 S 4/2003 Moore
D486,329 S 2/2004 Strong et al.

* cited by examiner

Primary Examiner—Janice E. Seeger

(74) *Attorney, Agent, or Firm*—Boyle Fredrickson
Newholm Stein & Gratz S.C.

(57) **CLAIM**

The ornamental design of a table leg, as shown and
described.

DESCRIPTION

FIG. 1 is a perspective view of a table leg, showing my new
design;

FIG. 2 is a side elevation view;

FIG. 3 is a top plan view;

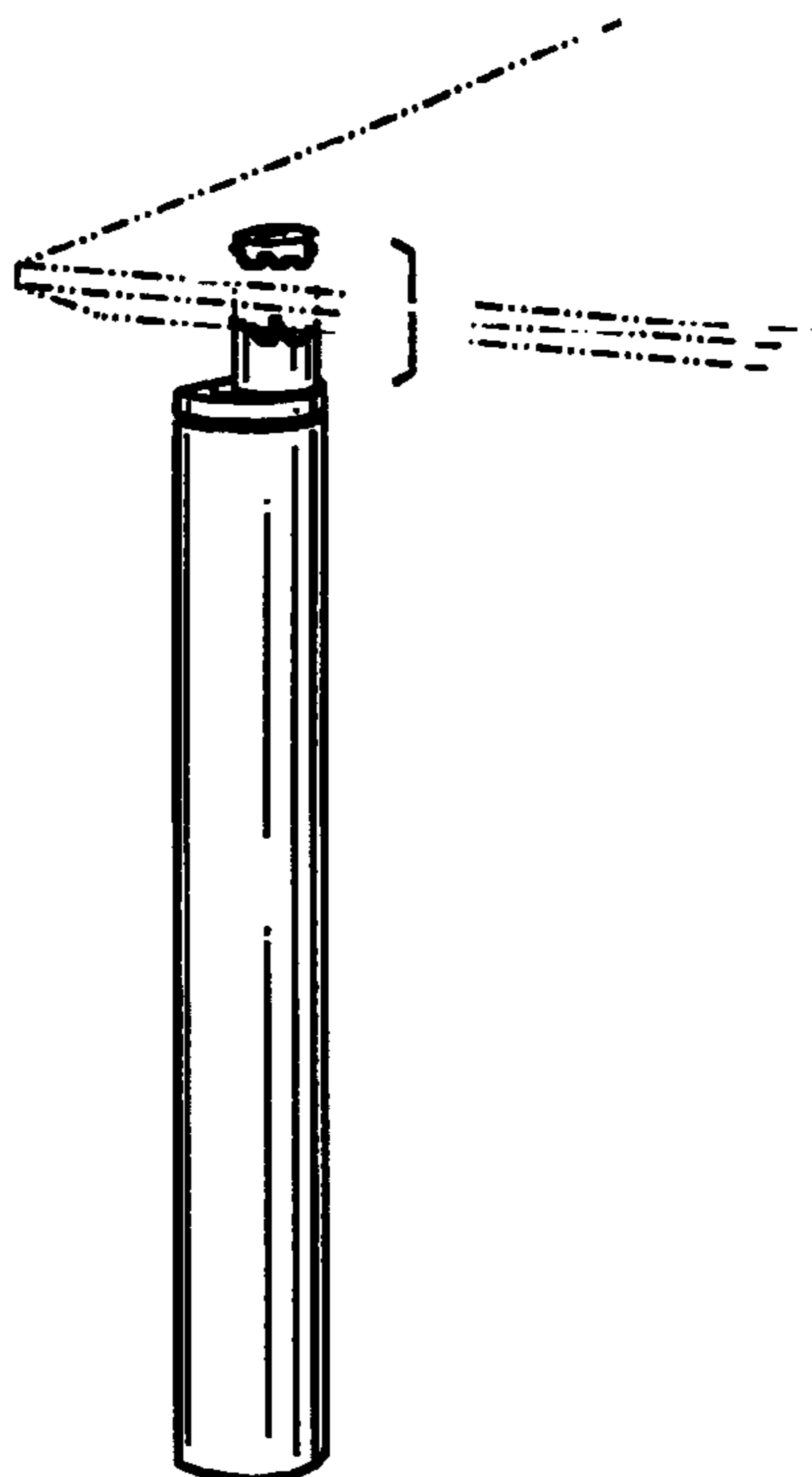
FIG. 4 is a bottom plan view;

FIG. 5 is a perspective view showing an alternate embodi-
ment of my new design; and,

FIG. 6 is a side elevation view thereof, wherein the top and
bottom plan views are the same as in FIGS. 3 and 4,
respectively.

The broken line showing of the table top is for environmen-
tal purposes only and forms no part of the claimed design.
Portions of the article are shown broken away whereby to
indicate indeterminate length.

1 Claim, 2 Drawing Sheets



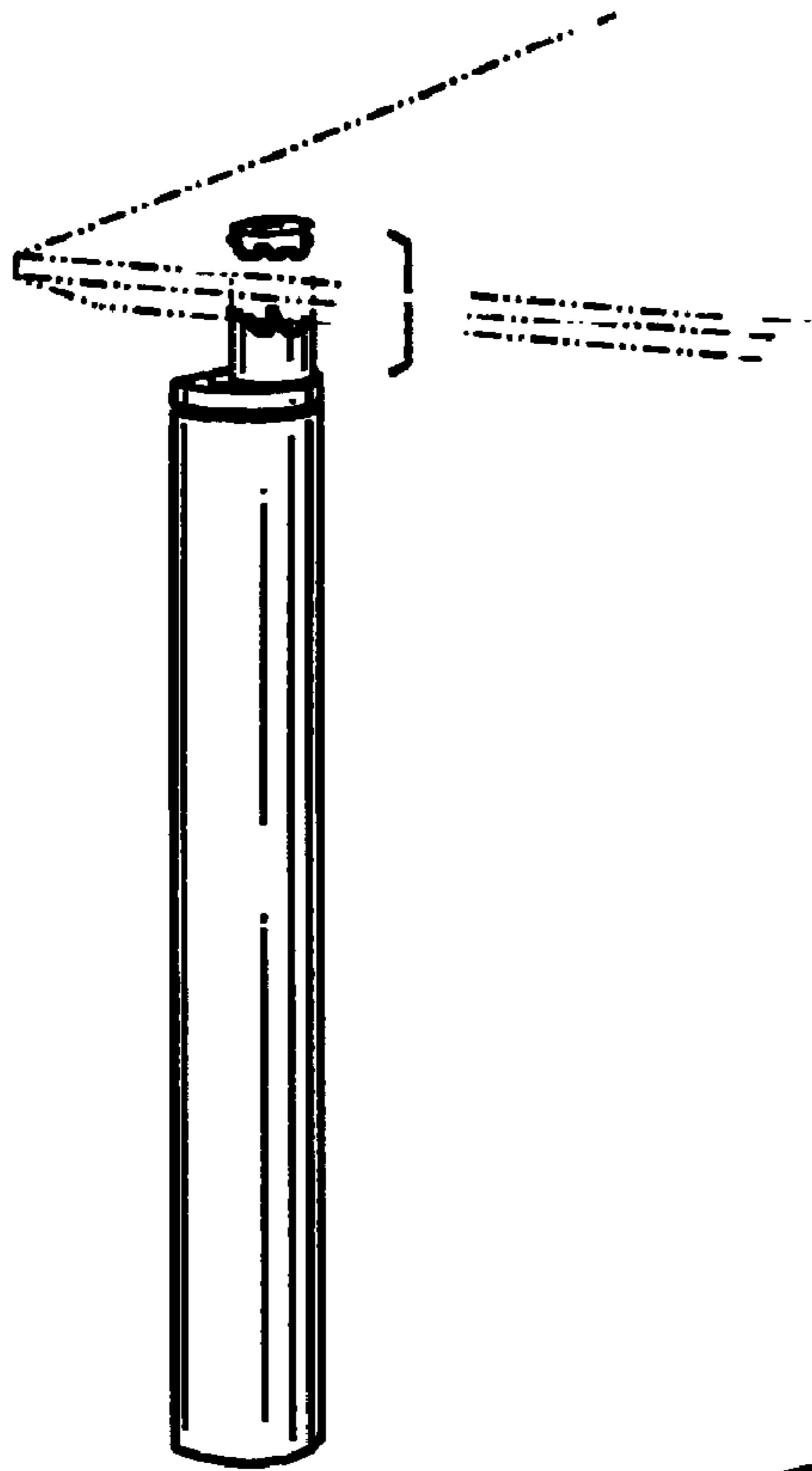


FIG. 1

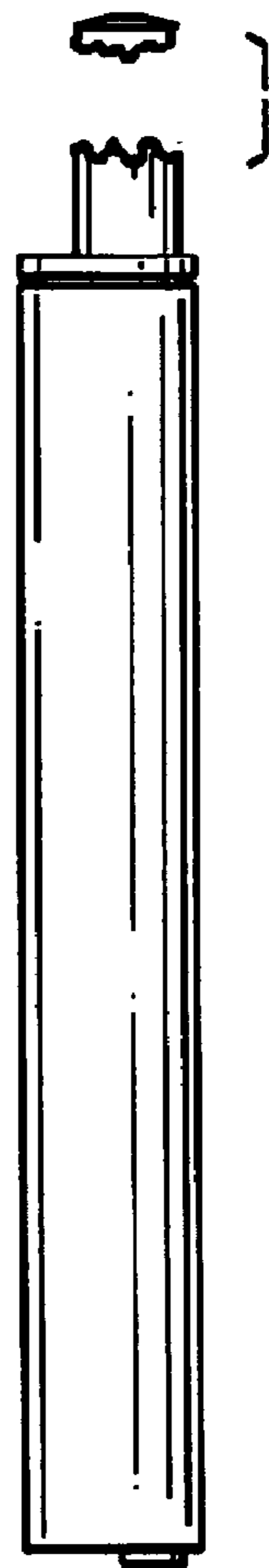


FIG. 2

FIG. 3



FIG. 4

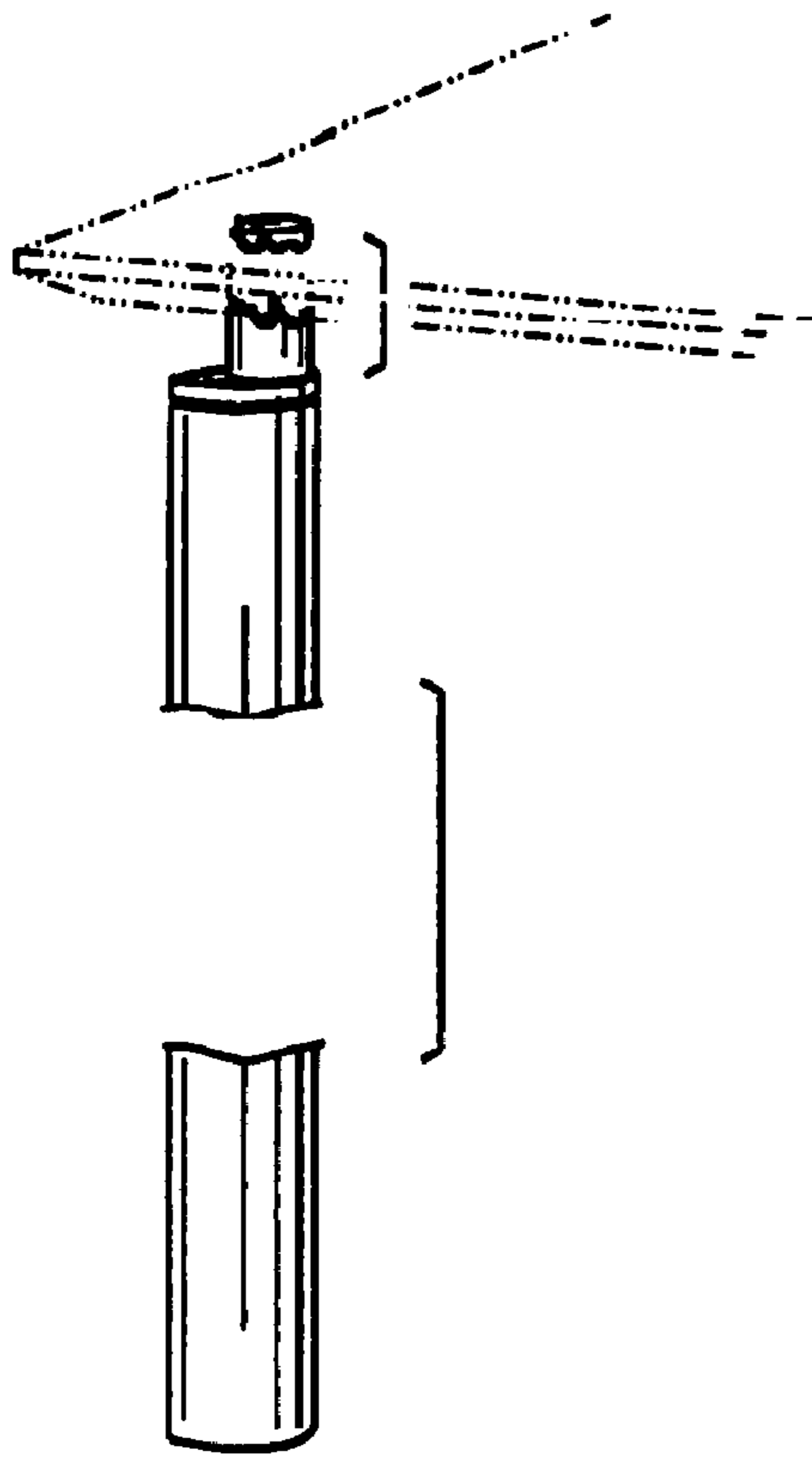


FIG. 5

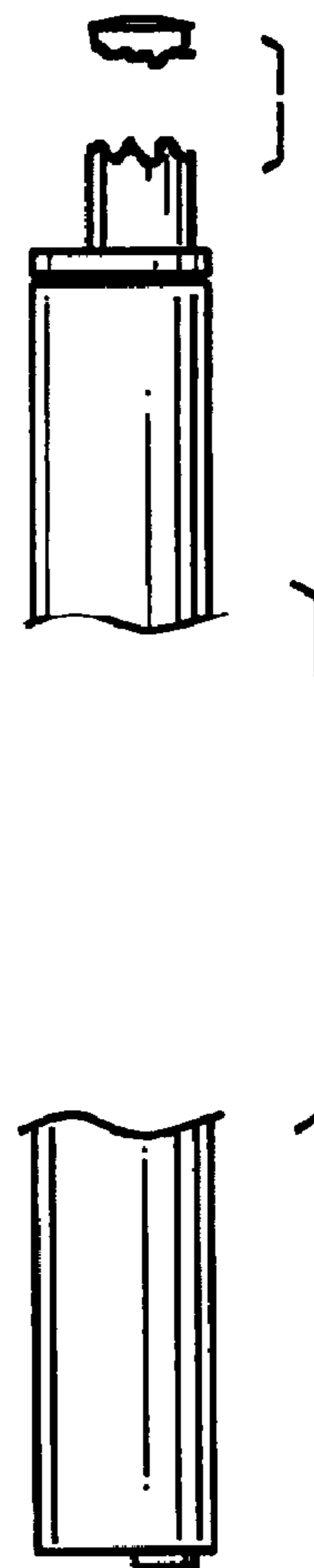


FIG. 6