



US00D519303S

(12) **United States Design Patent**  
**Winig et al.**

(10) **Patent No.:** **US D519,303 S**

(45) **Date of Patent:** **\*\* Apr. 25, 2006**

- (54) **SHELF**
- (75) Inventors: **Alan Winig**, Wynnewood, PA (US);  
**Richard Winig**, Villanova, PA (US);  
**James Eldon**, Barto, PA (US); **Lea Bogdan**, Philadelphia, PA (US)
- (73) Assignee: **SS3 Storage Systems L.L.C.**,  
Wilmington, DE (US)
- (\*\*) Term: **14 Years**
- (21) Appl. No.: **29/192,166**
- (22) Filed: **Oct. 20, 2003**
- (51) **LOC (8) Cl.** ..... **06-04**
- (52) **U.S. Cl.** ..... **D6/467**
- (58) **Field of Classification Search** ..... D6/450,  
D6/467, 400, 457, 466, 469, 449, 459, 491,  
D6/512; 211/134, 153, 183, 88.01, 69, 90.01,  
211/69.5, 60.1  
See application file for complete search history.

- 4,720,069 A 1/1988 Bessinger
- D294,209 S \* 2/1988 Havelka ..... D6/467
- 4,771,897 A 9/1988 Ho
- 4,905,951 A 3/1990 Putness
- 4,936,565 A 6/1990 Fredrickson
- 5,005,710 A 4/1991 Hofer
- D319,348 S \* 8/1991 Monteleon ..... D3/313
- D323,400 S \* 1/1992 Frenkel et al. .... D24/230
- 5,201,430 A 4/1993 Artzer
- 5,224,609 A 7/1993 Bauer et al.
- D340,610 S \* 10/1993 Hubbard ..... D6/567
- D340,827 S \* 11/1993 Hubbard ..... D6/567
- 5,337,987 A 8/1994 Sawatsky
- 5,482,168 A 1/1996 Welch et al.
- 5,515,969 A 5/1996 Schonenbach
- D375,832 S \* 11/1996 Miller ..... D3/23
- 5,573,111 A 11/1996 Gordon et al.
- 5,690,684 A 11/1997 Andrews et al.
- 5,706,936 A 1/1998 Bernstein
- 5,711,419 A 1/1998 Beales et al.
- 5,711,435 A 1/1998 Morison et al.
- D392,827 S \* 3/1998 Yemini ..... D6/574
- D393,543 S \* 4/1998 Wilkening et al. .... D3/313
- 5,738,228 A 4/1998 Bittinger
- 5,743,416 A \* 4/1998 Yemini ..... 211/70.6
- D394,775 S \* 6/1998 Anderson et al. .... D6/574
- 5,855,274 A 1/1999 Piao
- 5,909,936 A 6/1999 Daniels et al.

(56) **References Cited**

**U.S. PATENT DOCUMENTS**

- 1,958,772 A 5/1934 Stewart
- 1,992,857 A 2/1935 Breedlove
- 2,121,307 A 6/1938 Swift
- 2,785,919 A 3/1957 Grondzik
- 2,887,802 A 5/1959 Burmeister
- 2,956,687 A 10/1960 Robichaud
- 2,995,256 A 8/1961 Schoenfisch
- 3,063,569 A 11/1962 Huber
- 3,565,020 A 2/1971 Schier et al.
- 4,325,484 A 4/1982 Berry
- 4,340,144 A 7/1982 Cousins
- 4,407,476 A 10/1983 Bohannan
- 4,439,884 A 4/1984 Giorni
- 4,450,961 A 5/1984 Bies et al.
- 4,500,943 A 2/1985 Greene
- 4,508,301 A 4/1985 Nicholson et al.
- 4,516,681 A 5/1985 Jahel
- 4,597,496 A 7/1986 Kaplan
- 4,619,428 A 10/1986 Bailey
- 4,632,256 A 12/1986 Gambello

(Continued)

*Primary Examiner*—Janice E. Seeger  
*Assistant Examiner*—Sydney R. Buffalow  
(74) *Attorney, Agent, or Firm*—Duane Morris LLP

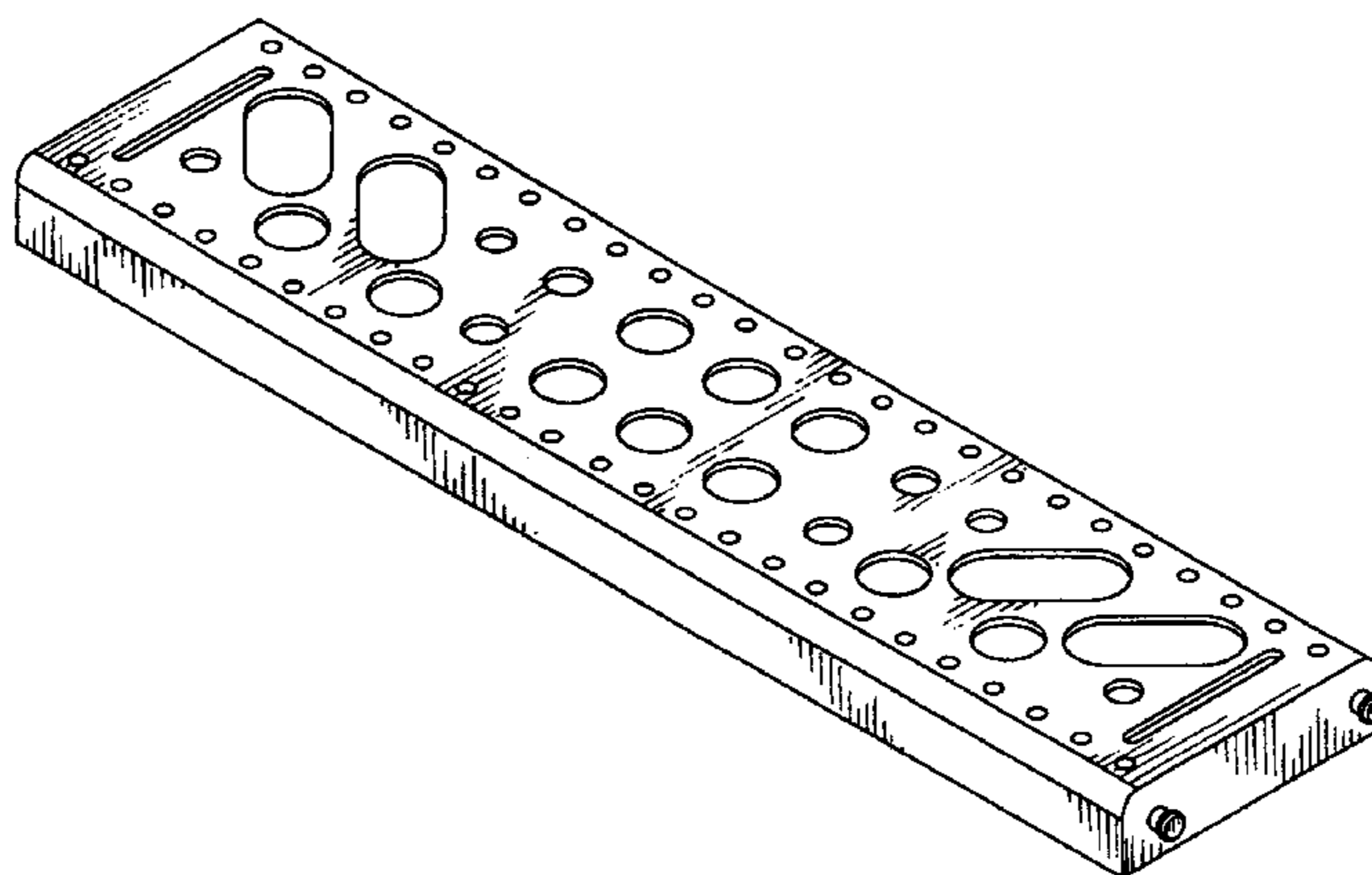
(57) **CLAIM**

The ornamental design for a shelf, as shown and described.

**DESCRIPTION**

FIG. 1 is a front perspective view of the shelf according to the invention;  
FIG. 2 is a top view of the shelf;  
FIG. 3 is a bottom view of the shelf;  
FIG. 4 is a side view of the shelf; and,  
FIG. 5 is an end view of the shelf.

**1 Claim, 3 Drawing Sheets**



# US D519,303 S

Page 2

---

## U.S. PATENT DOCUMENTS

5,915,307 A	6/1999	Tisbo et al.	6,257,425 B1	7/2001	Liu	
5,915,572 A	6/1999	Hancock	6,273,255 B1	8/2001	Rosler	
5,970,663 A	10/1999	McDonough	6,273,277 B1	8/2001	Geldenhuis	
6,000,912 A	12/1999	Takada et al.	6,299,001 B1	10/2001	Frolov et al.	
6,019,331 A	2/2000	Hoogland et al.	6,401,939 B1 *	6/2002	Durin .....	211/26
6,050,426 A	4/2000	Leurdijk	6,450,338 B1	9/2002	Chen	
6,070,747 A	6/2000	Shea	6,481,583 B1	11/2002	Black et al.	
D442,814 S *	5/2001	Sterling et al. ....	6,491,267 B1	12/2002	Feldman	
6,250,466 B1	6/2001	Ernst				

\* cited by examiner

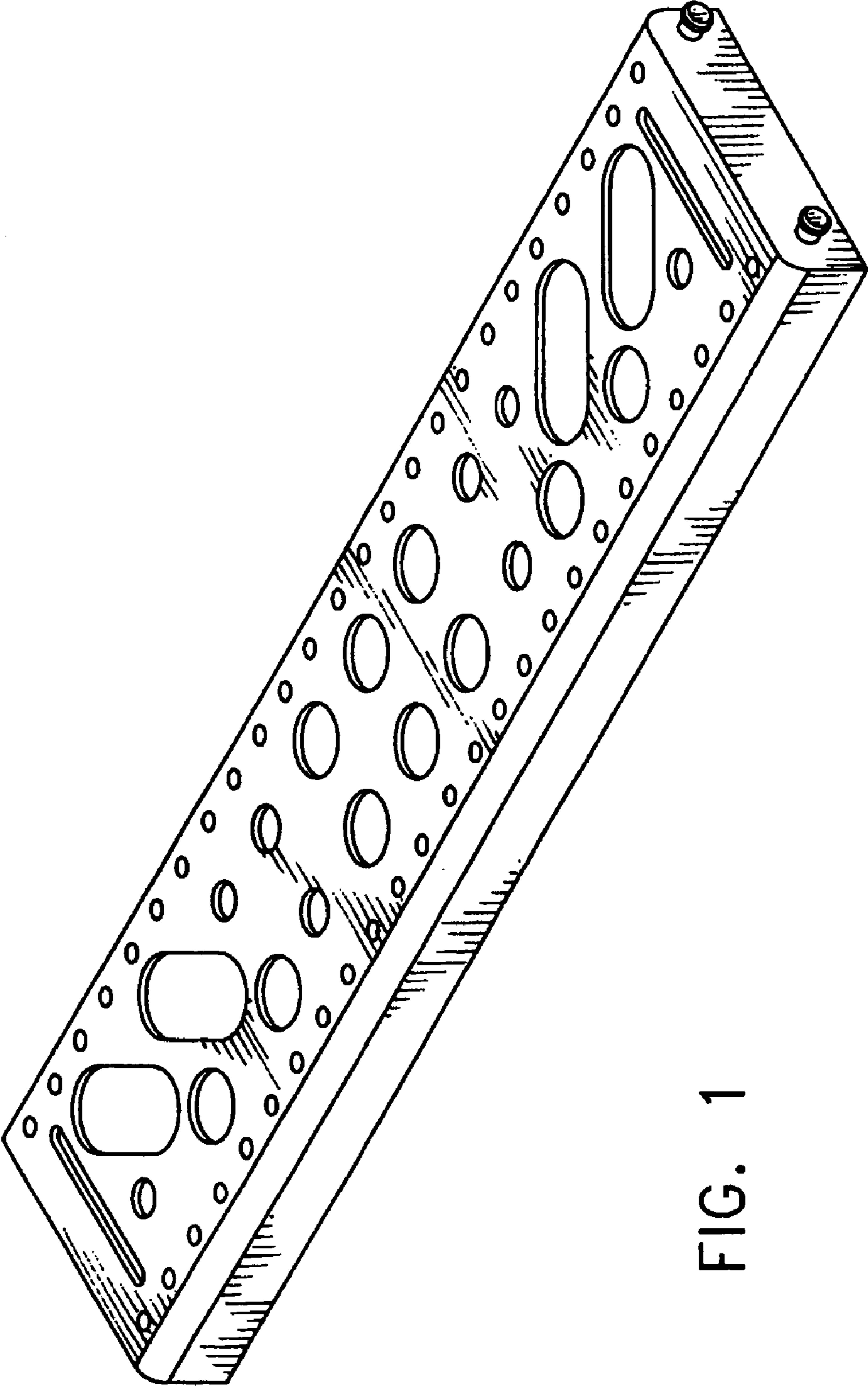


FIG. 1

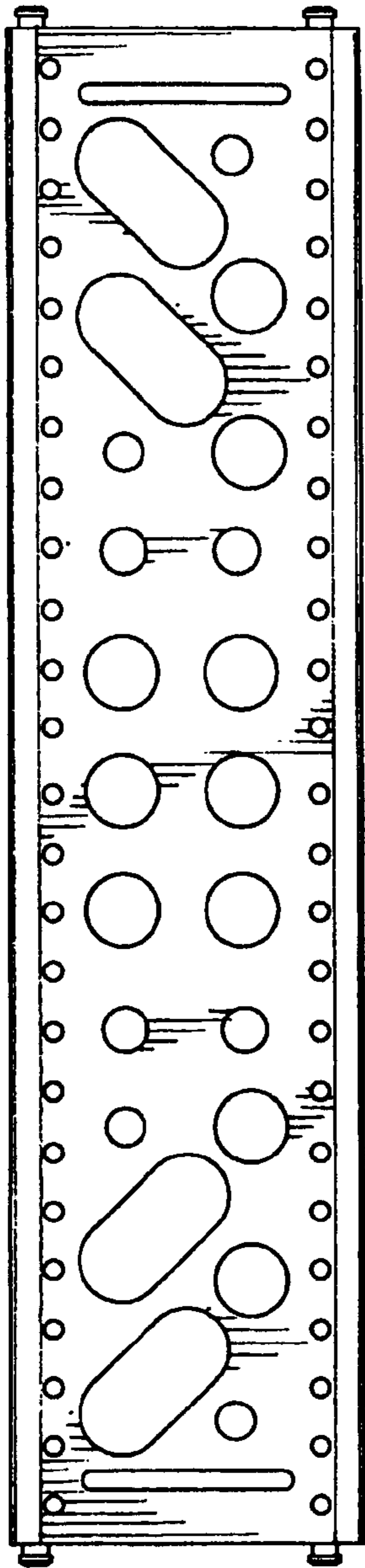


FIG. 2

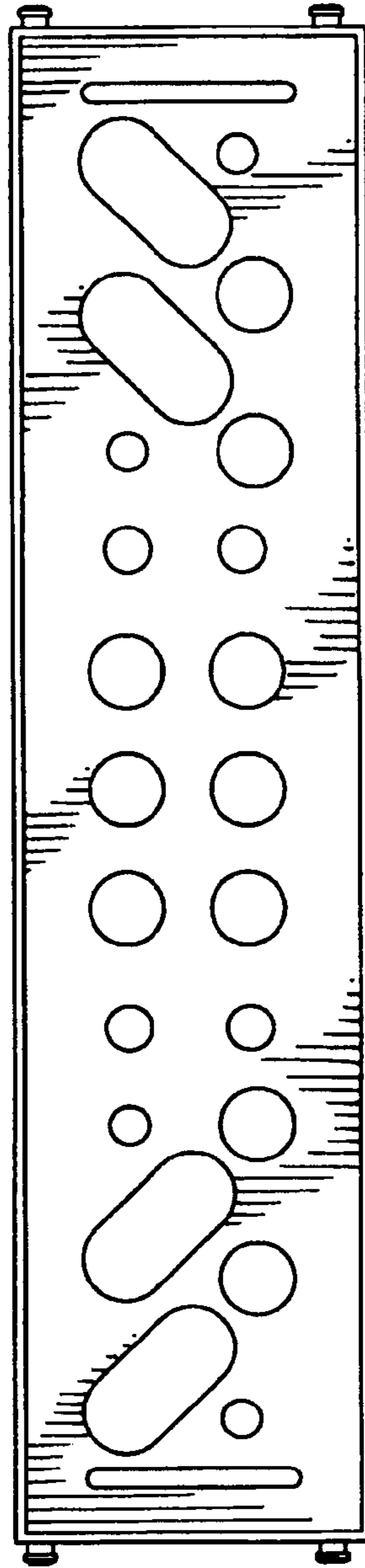


FIG. 3

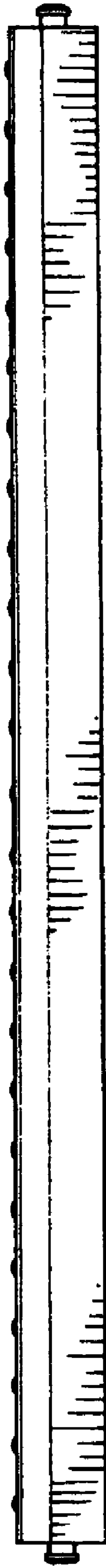


FIG. 4

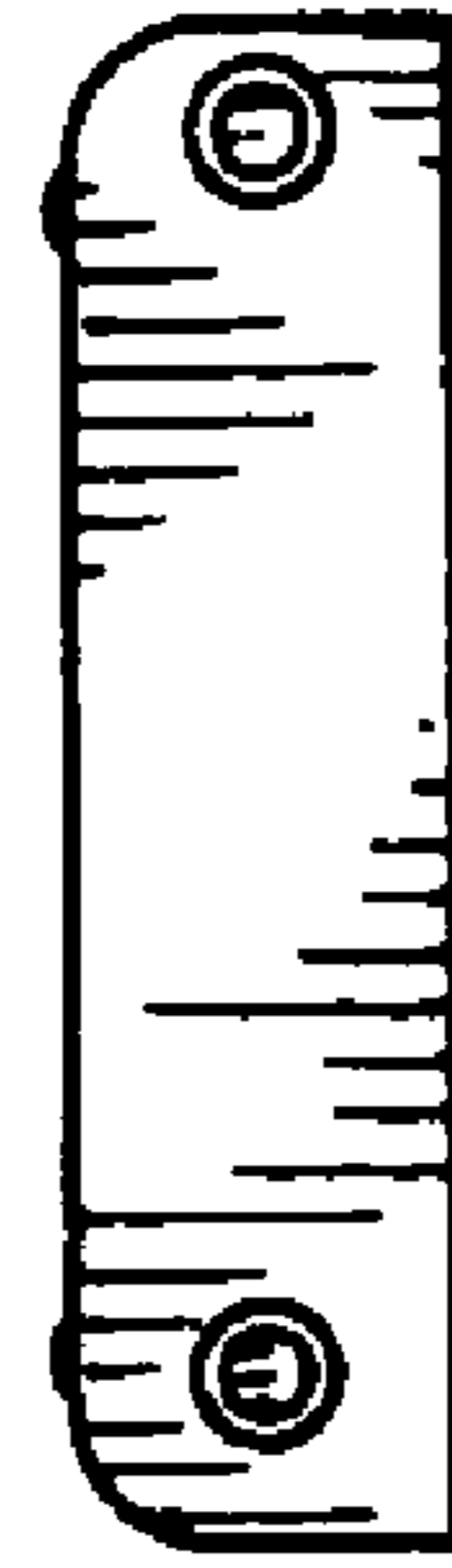


FIG. 5