



US00D519301S

(12) **United States Design Patent**  
**Gardner**

(10) **Patent No.:** **US D519,301 S**

(45) **Date of Patent:** **\*\* Apr. 25, 2006**

(54) **CONTAINER FOR STAMP PAD STORAGE**

(75) Inventor: **Shelli Gardner**, Alpine, UT (US)

(73) Assignee: **Stampin Up!**, Sandy, UT (US)

(\*\*) Term: **14 Years**

(21) Appl. No.: **29/213,814**

(22) Filed: **Sep. 23, 2004**

(51) **LOC (8) Cl.** ..... **06-99**

(52) **U.S. Cl.** ..... **D6/455**

(58) **Field of Classification Search** ..... D6/455,  
D6/457, 458, 460, 461, 465, 570; D9/756;  
D18/17, 59; D19/75; 206/214, 371, 740;  
211/13.1, 56, 58, 70, 129.1, 131.1, 163  
See application file for complete search history.

(56) **References Cited**

**U.S. PATENT DOCUMENTS**

954,793	A	*	4/1910	Graham	.....	211/39
D206,471	S	*	12/1966	Mellion	.....	D6/460
D210,296	S	*	2/1968	Treu	.....	D6/571
3,543,943	A	*	12/1970	Joy et al.	.....	211/131.1
3,633,761	A	*	1/1972	Holiday	.....	211/131.1
D338,570	S	*	8/1993	Koeppel	.....	D6/407

5,669,494	A	*	9/1997	Geffen	.....	358/1.15
D426,984	S	*	6/2000	Griffith	.....	D6/457
D436,755	S	*	1/2001	Several et al.	.....	D6/459
D500,417	S	*	1/2005	Levin et al.	.....	D6/457

\* cited by examiner

*Primary Examiner*—Caron D. Veynar

*Assistant Examiner*—Elizabeth Albert

(74) *Attorney, Agent, or Firm*—Kay S. Cornaby; Jones  
Waldo Holbrook & McDonough

(57) **CLAIM**

The ornamental design for a container for stamp pad storage,  
as shown.

**DESCRIPTION**

FIG. 1 is a perspective view taken from the top, front and left  
side of a container for stamp pad storage showing my new  
design;

FIG. 2 is a front elevational view thereof;

FIG. 3 is a rear elevational view thereof;

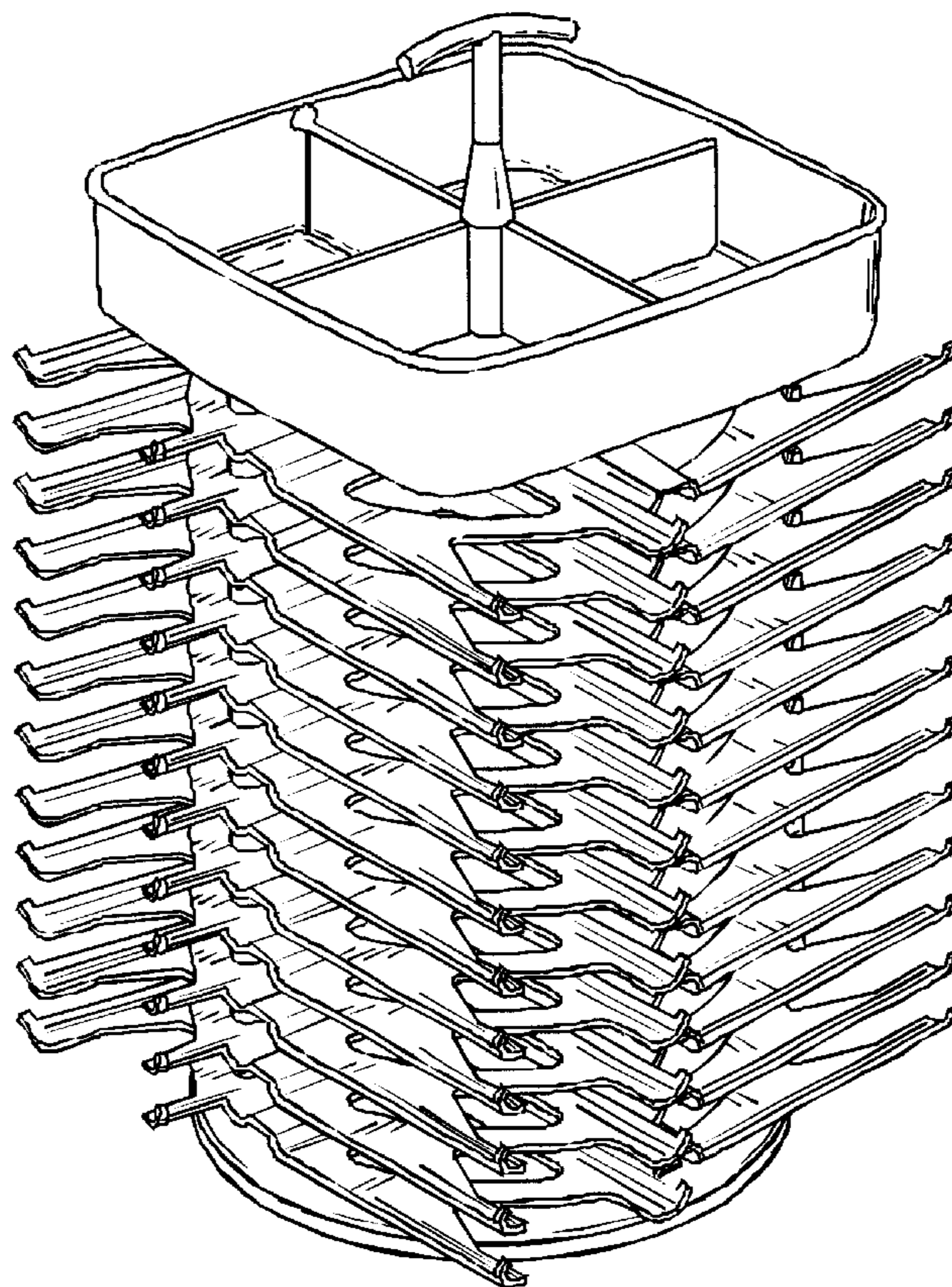
FIG. 4 is a left side elevational view thereof;

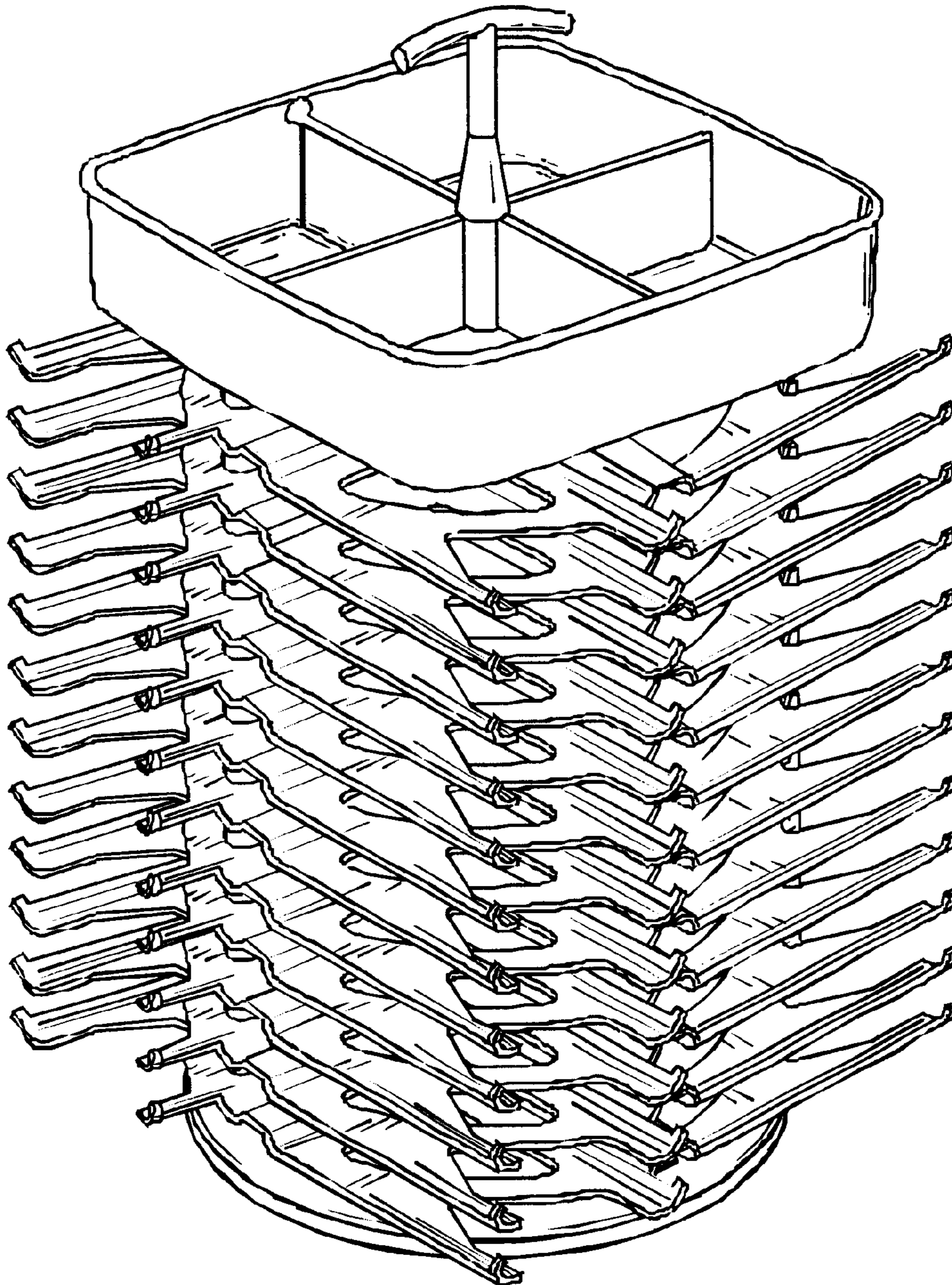
FIG. 5 is a right side elevational view thereof;

FIG. 6 is a top plan view thereof; and,

FIG. 7 is a bottom plan view thereof.

**1 Claim, 7 Drawing Sheets**





**FIG. 1**

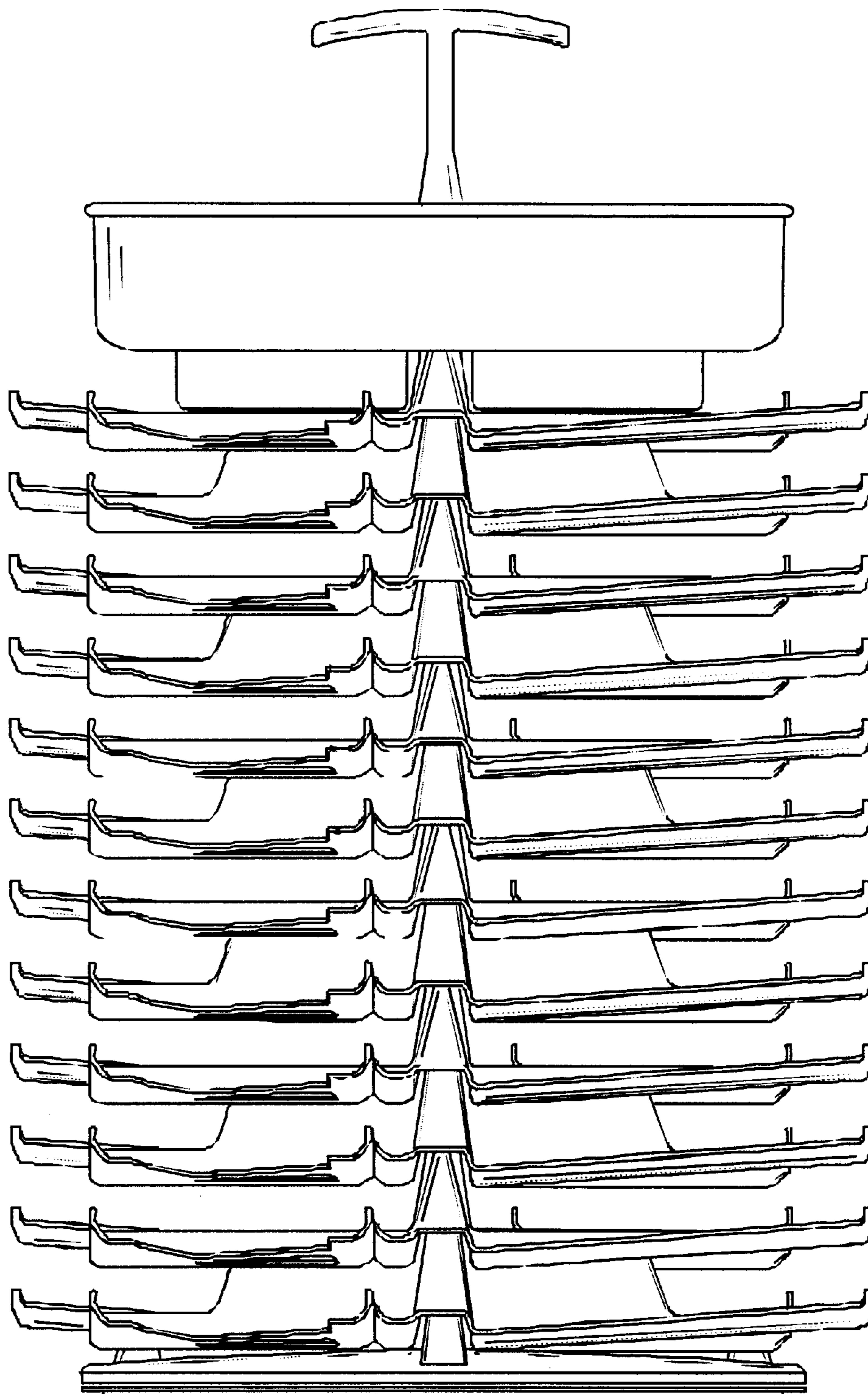


FIG. 2

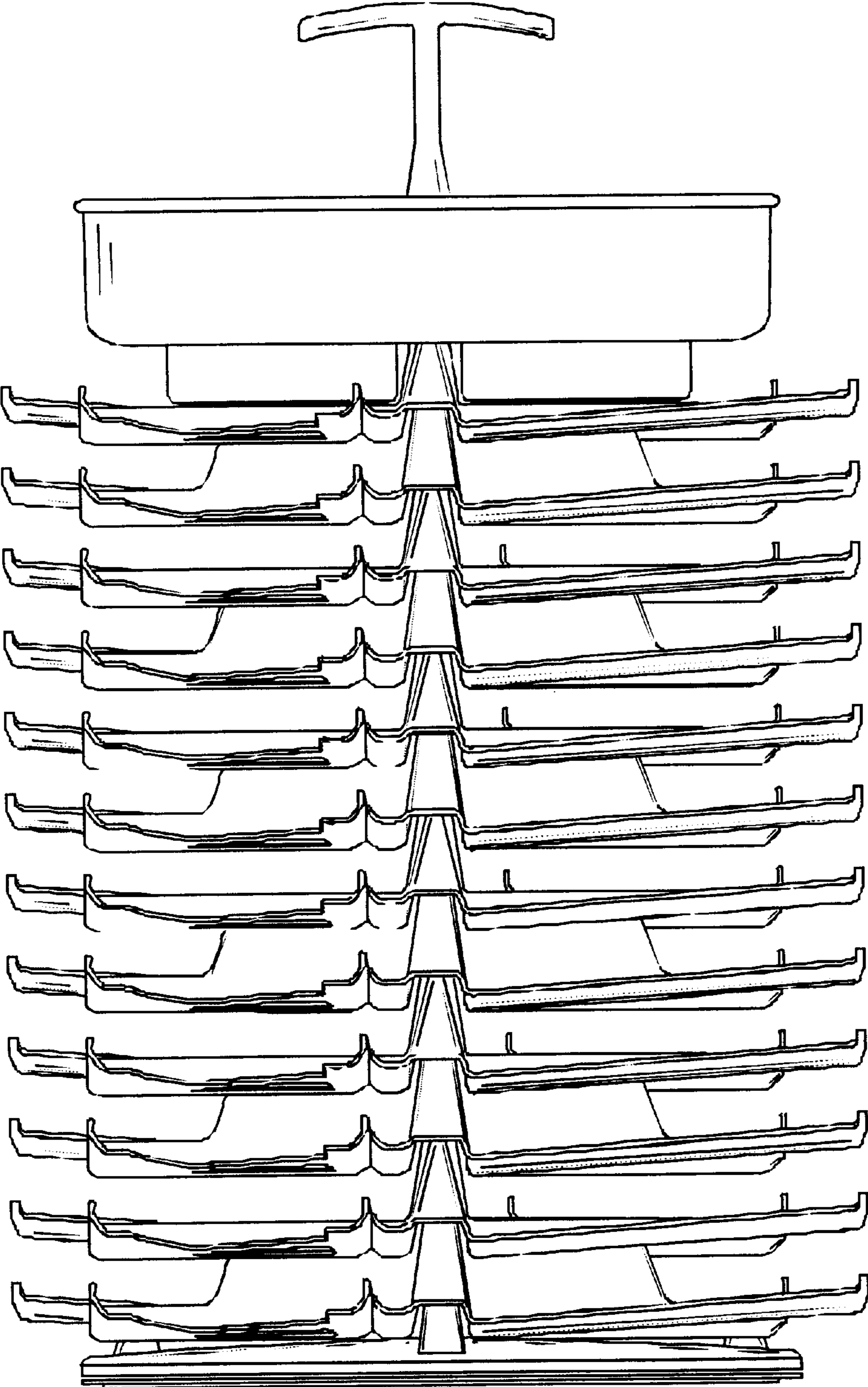
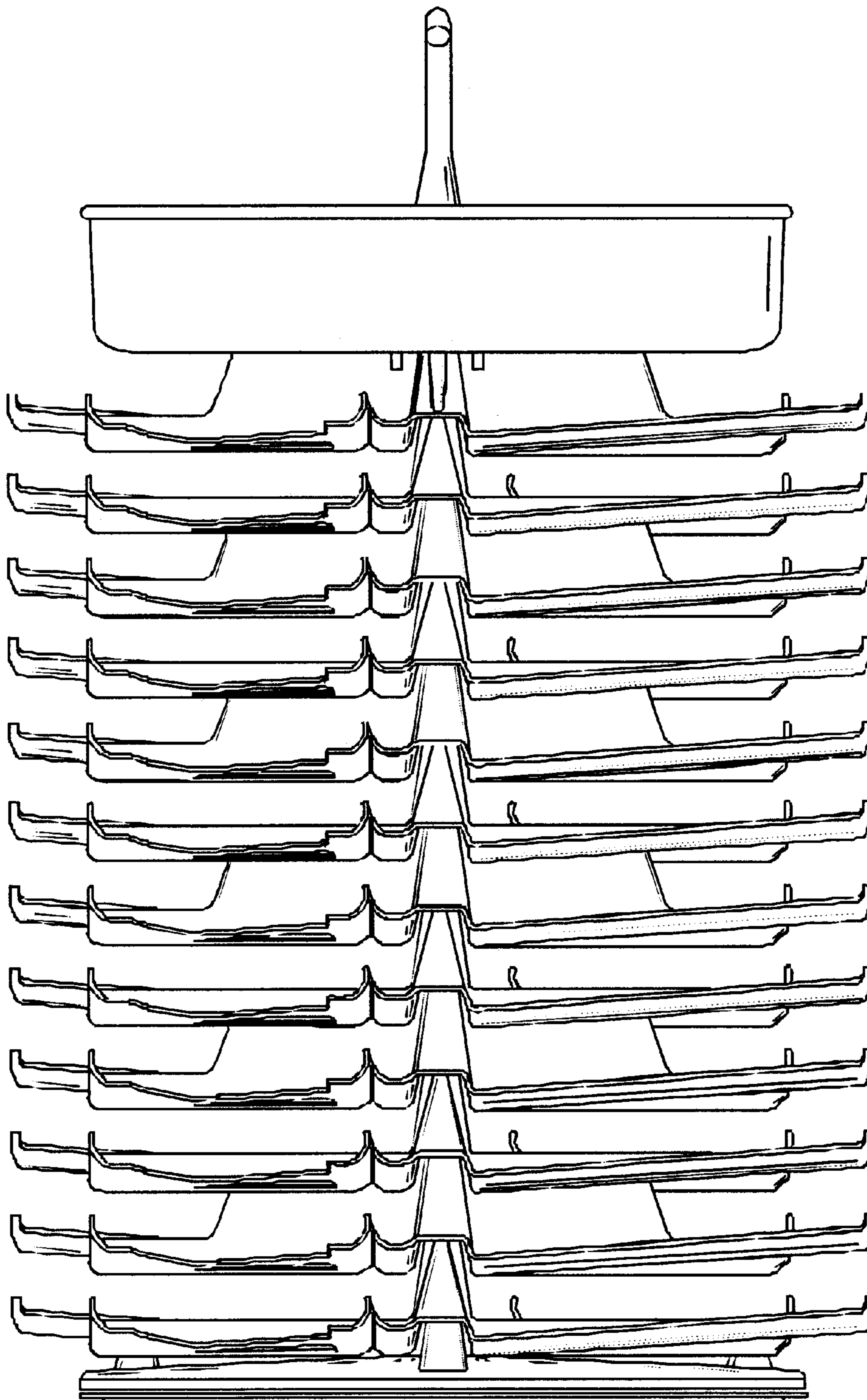


FIG. 3



**FIG. 4**

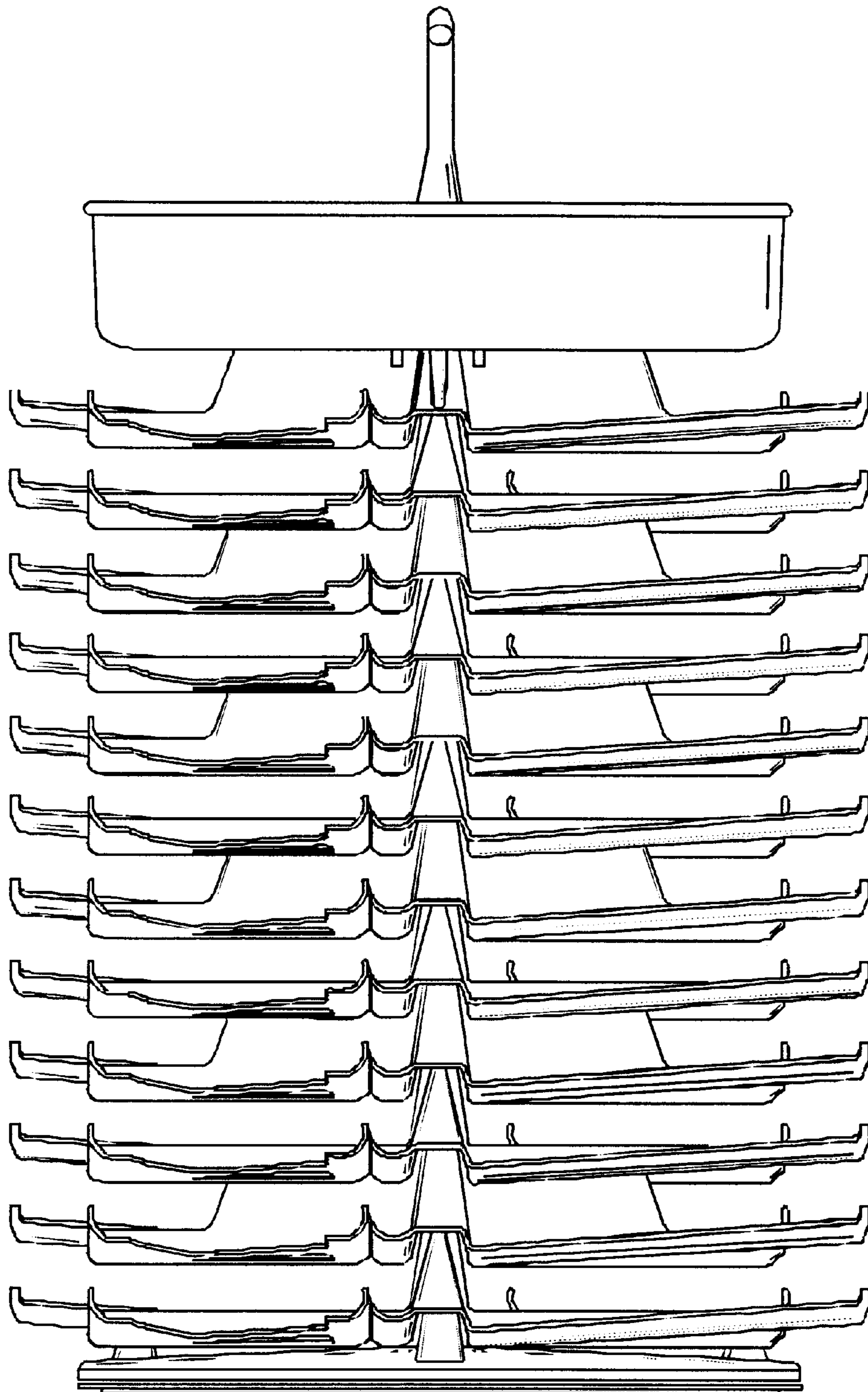
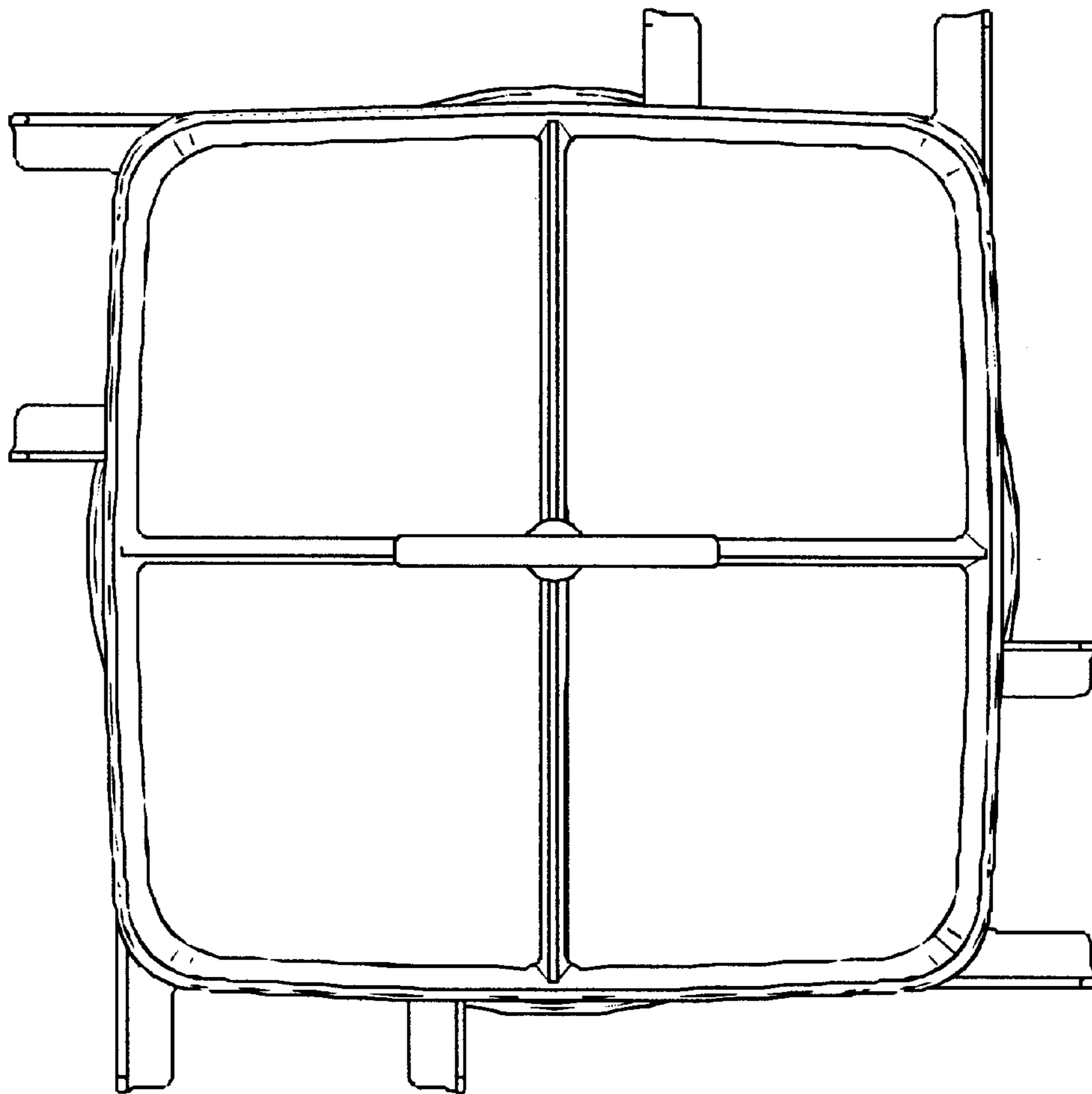
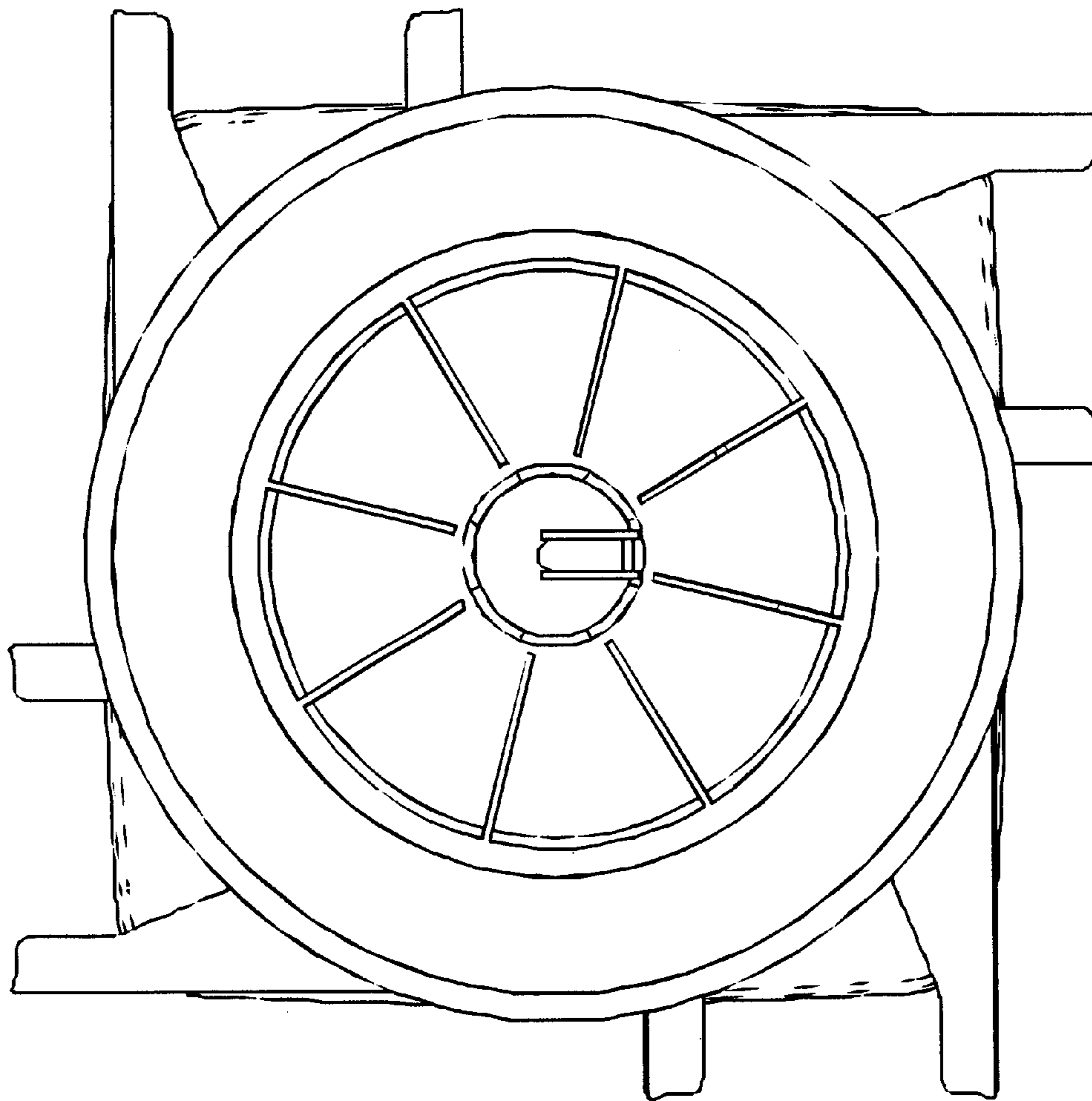


FIG. 5



**FIG. 6**



**FIG. 7**