



US00D519299S

(12) **United States Design Patent**  
**Boudreau**

(10) **Patent No.:** **US D519,299 S**

(45) **Date of Patent:** **\*\* Apr. 25, 2006**

(54) **FURNITURE**

(75) Inventor: **Marc Boudreau, Ste-Foy (CA)**

(73) Assignee: **Baronet, Inc. (CA)**

(\*\*) Term: **14 Years**

(21) Appl. No.: **29/213,967**

(22) Filed: **Sep. 24, 2004**

(51) **LOC (8) Cl.** ..... **06-04**

(52) **U.S. Cl.** ..... **D6/436; D6/446**

(58) **Field of Classification Search** ..... **D6/432,**  
**D6/436, 441, 444-448; 312/114, 204, 224,**  
**312/278-279**

See application file for complete search history.

(56) **References Cited**

**U.S. PATENT DOCUMENTS**

D193,717 S	*	10/1962	Deaton	.....	D6/446
D220,442 S	*	4/1971	Beavers	.....	D6/445
D234,386 S	*	2/1975	Hodges	.....	D6/446
D247,079 S	*	1/1978	Otema	.....	D6/436
D266,217 S	*	9/1982	Lange	.....	D6/447
D398,788 S	*	9/1998	Schubert	.....	D6/436

D431,737 S 10/2000 Veeley et al.  
D499,274 S \* 12/2004 Juneau et al. .... D6/436

**OTHER PUBLICATIONS**

Imperial Tables, 1957-1958, p. 32, table #2272 at top right.

\* cited by examiner

*Primary Examiner*—Cathron C. Brooks

(74) *Attorney, Agent, or Firm*—SAIDMAN Design Law Group

(57) **CLAIM**

The ornamental design for a furniture, as shown and described.

**DESCRIPTION**

FIG. 1 is a perspective view of a furniture showing my new design;

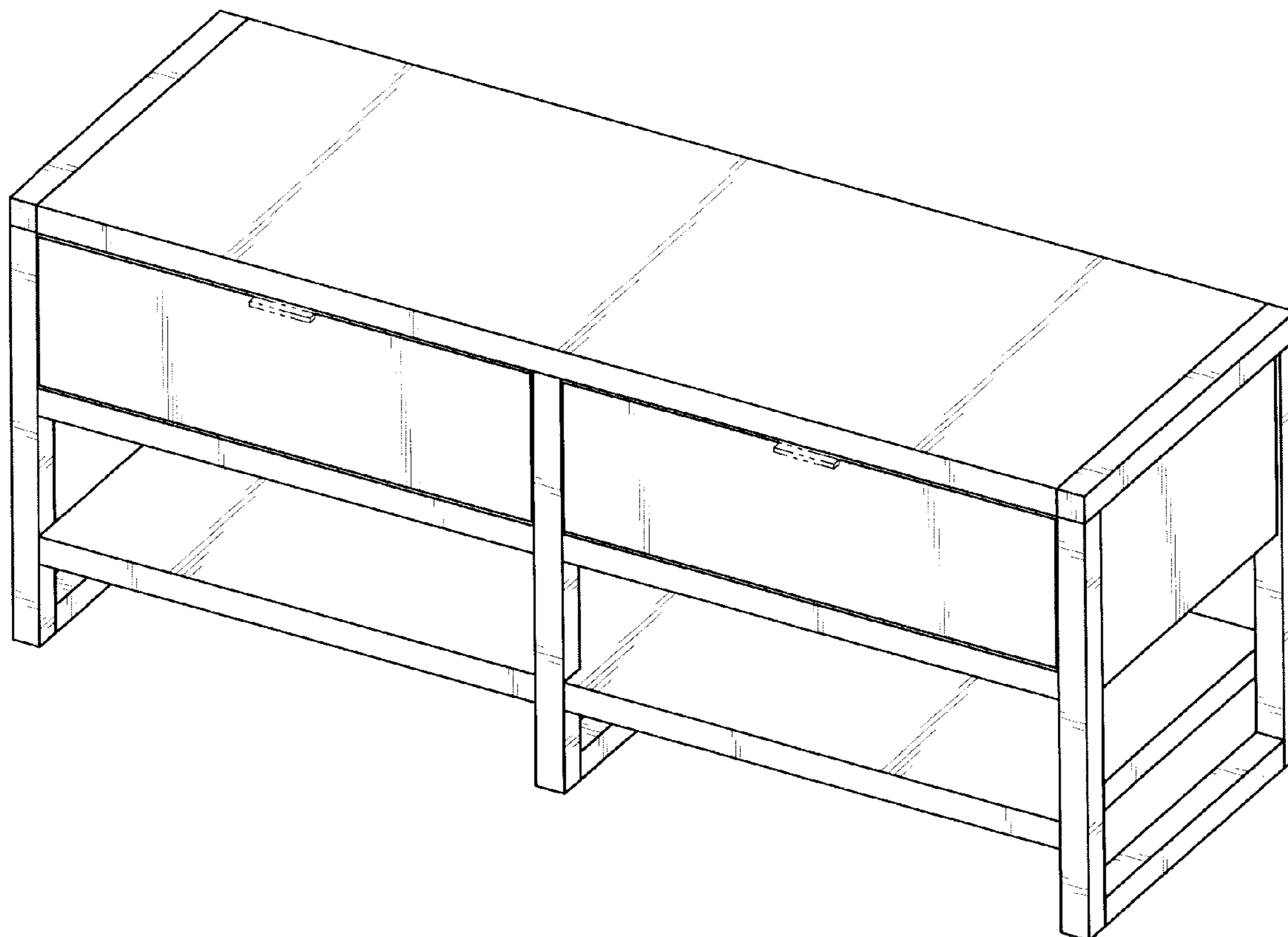
FIG. 2 is a front view thereof;

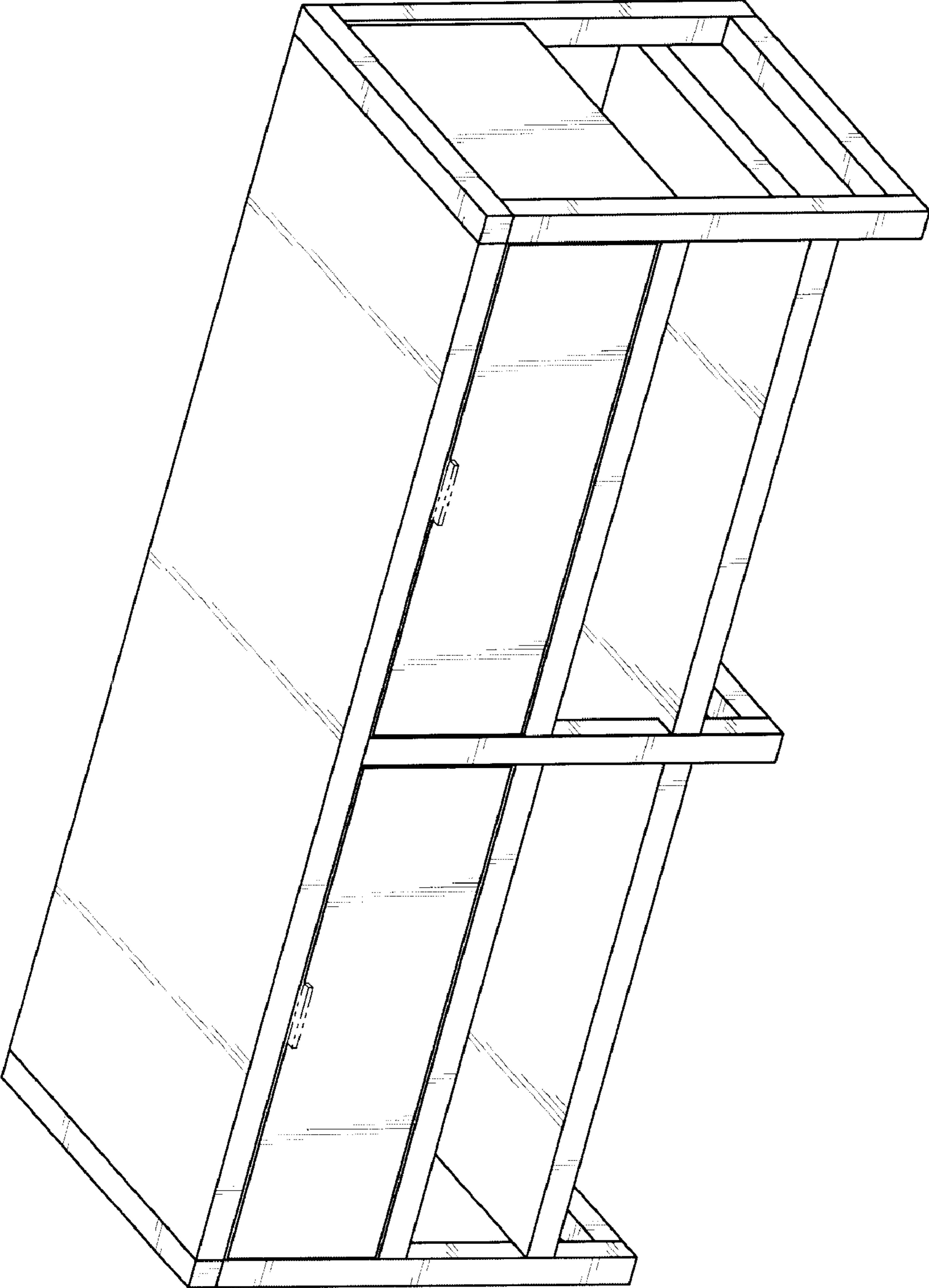
FIG. 3 is a top view thereof; and,

FIG. 4 is a right-side view thereof, the left-side view being a mirror image.

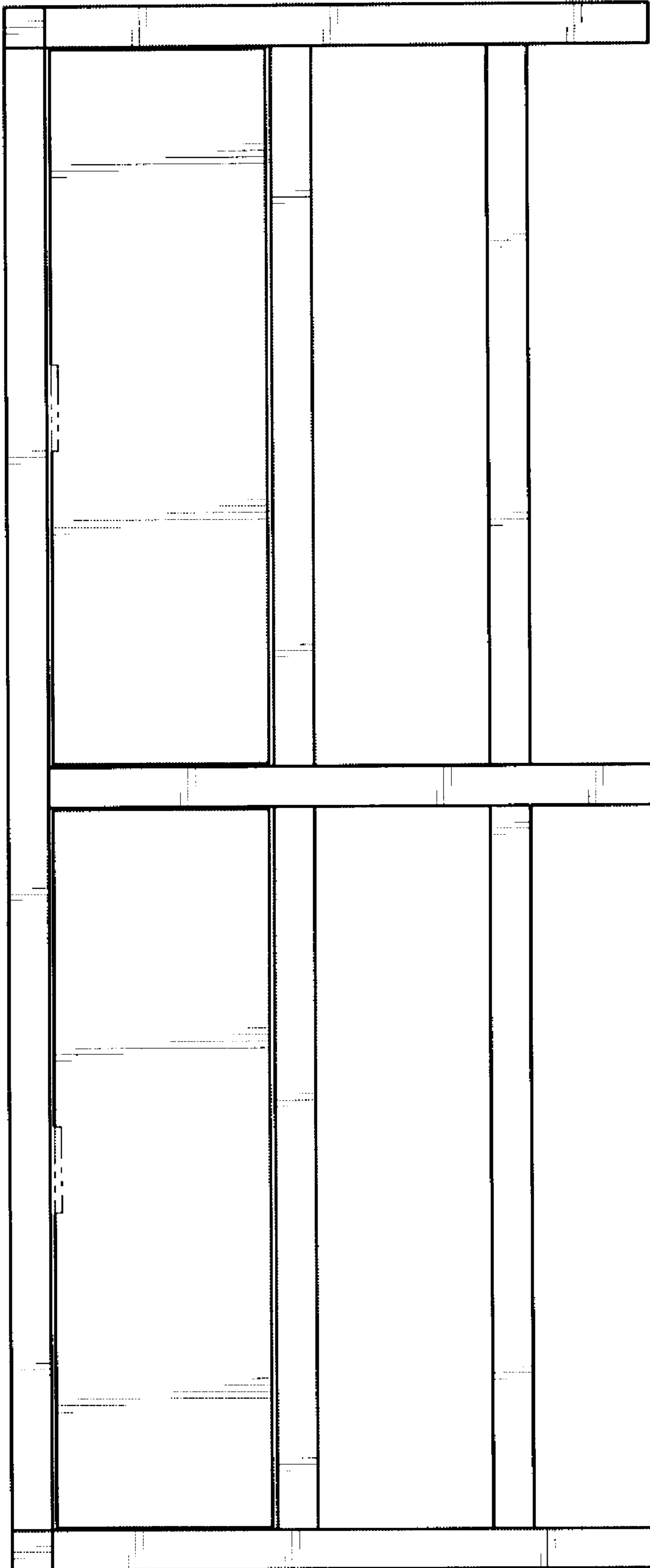
The broken lines showing handles are illustrative and form no part of the claimed design.

**1 Claim, 4 Drawing Sheets**

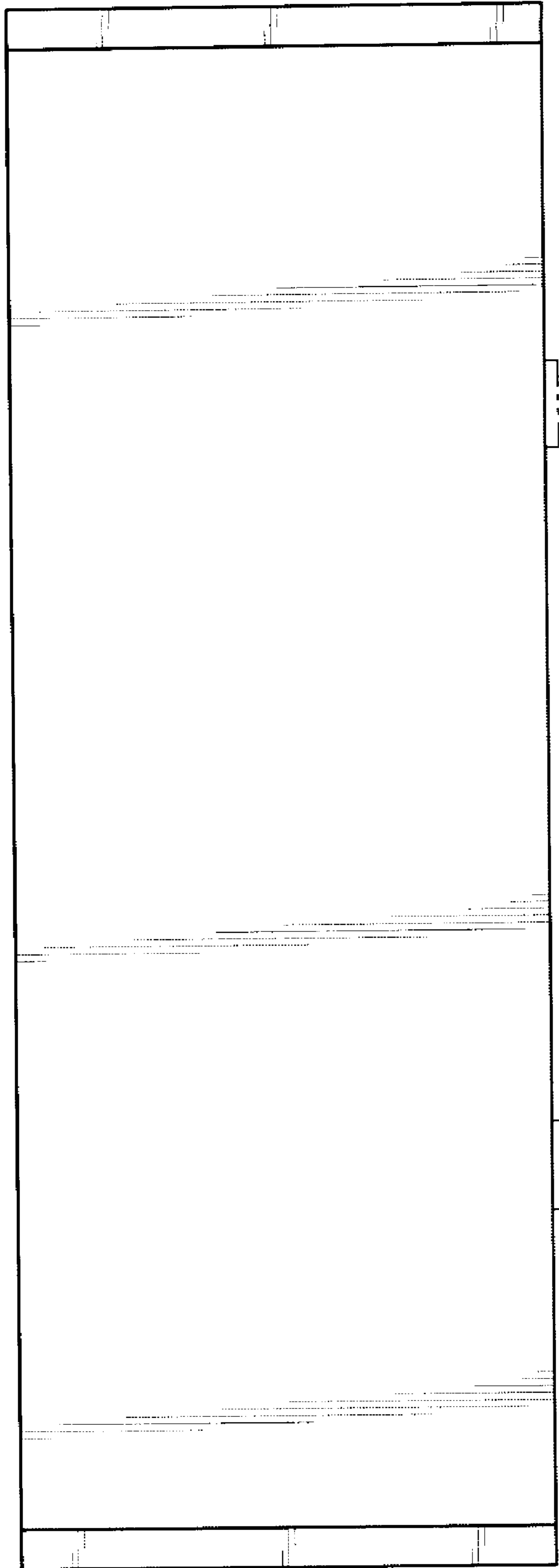




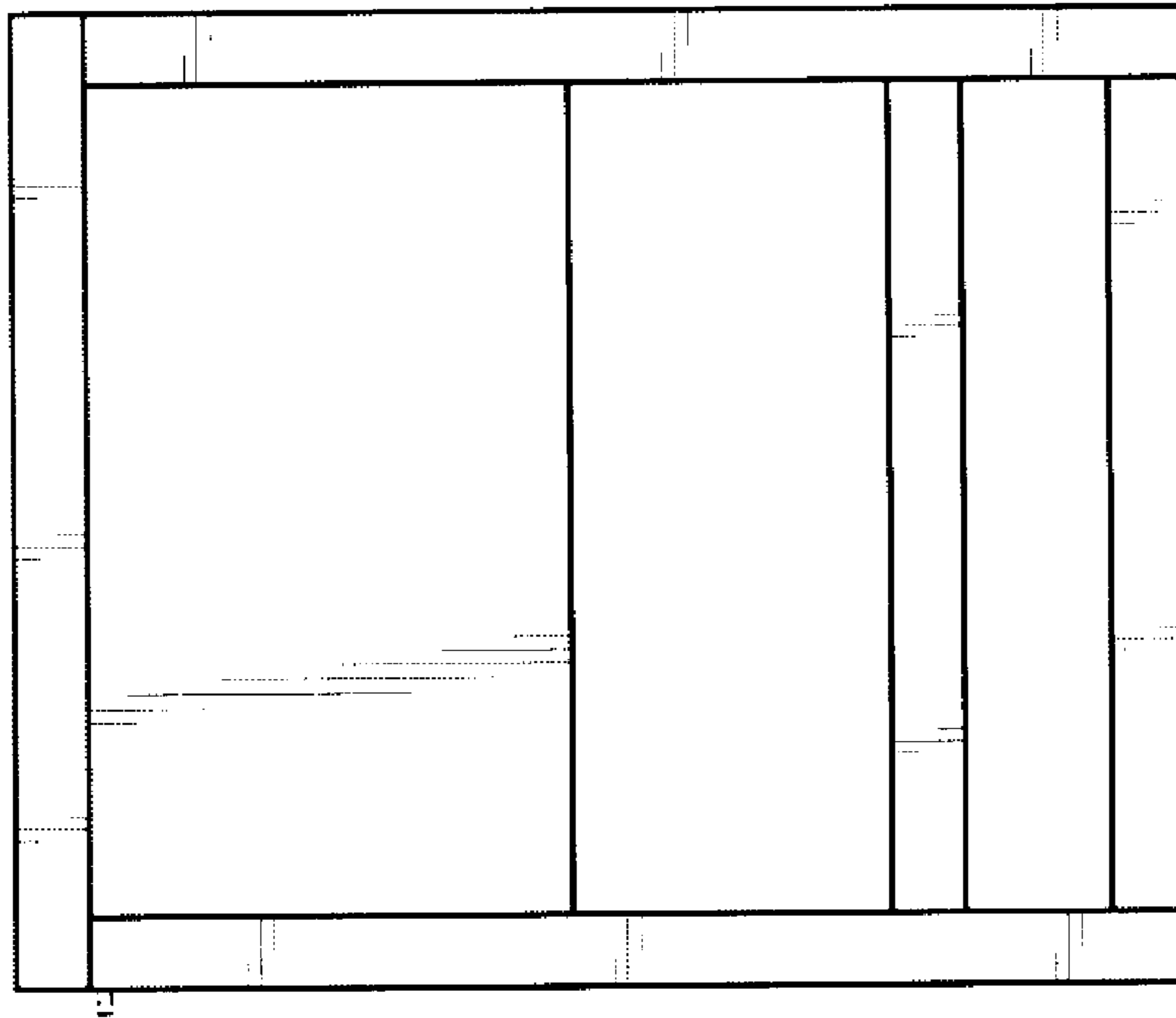
*Fig. 1*



*Fig. 2*



*Fig. 3*



*Fig. 4*