



US00D519298S

(12) **United States Design Patent**
Wright

(10) **Patent No.:** **US D519,298 S**

(45) **Date of Patent:** **** Apr. 25, 2006**

(54) **BASE FOR DISPLAY APPARATUS**

(76) Inventor: **W. Michael Wright**, 1222 Bells Rd.,
Virginia Beach, VA (US) 23454

(**) Term: **14 Years**

(21) Appl. No.: **29/207,004**

(22) Filed: **Jun. 7, 2004**

Related U.S. Application Data

(62) Division of application No. 10/270,165, filed on Oct. 15,
2002, now Pat. No. 6,758,010.

(51) **LOC (8) Cl.** **06-03**

(52) **U.S. Cl.** **D6/396**

(58) **Field of Classification Search** D6/396,
D6/513; D11/148, 143; 248/318, 317; 47/67,
47/66.1, 66.6; 40/645

See application file for complete search history.

(56) **References Cited**

U.S. PATENT DOCUMENTS

1,095,504 A	5/1914	Jannoch	
D50,329 S	2/1917	White	
1,233,538 A	7/1917	Alden	
3,957,242 A	5/1976	Holtz	
4,078,753 A	3/1978	Cole	
4,189,124 A	2/1980	Faris	
4,314,646 A	2/1982	Purnell	
4,385,742 A *	5/1983	Rocquin	248/318
4,583,323 A *	4/1986	Graves et al.	47/67
4,605,191 A	8/1986	Kagan	
D285,634 S	9/1986	McBean	

4,658,540 A	4/1987	Hougard	
4,825,591 A *	5/1989	Han	47/67
4,875,653 A	10/1989	Connolly	
5,052,149 A *	10/1991	Johnson	47/67
5,329,728 A *	7/1994	Ray	47/67
5,575,447 A *	11/1996	Griffin	248/318
5,836,109 A *	11/1998	Kunz et al.	47/67
5,860,248 A *	1/1999	Peters	47/67
D432,944 S *	10/2000	Harris	D11/148
6,131,323 A *	10/2000	Wong et al.	40/645
D441,315 S *	5/2001	Huffman	D11/143
D445,063 S	7/2001	Schneider et al.	
6,758,010 B1	7/2004	Wright	

* cited by examiner

Primary Examiner—Ruth McInroy

Assistant Examiner—Terrence Huang

(74) *Attorney, Agent, or Firm*—Nixon & Vanderhye

(57) **CLAIM**

The ornamental design for a “base for display apparatus,” as shown and described.

DESCRIPTION

FIG. 1 is a perspective view for a base for display apparatus of my new design;

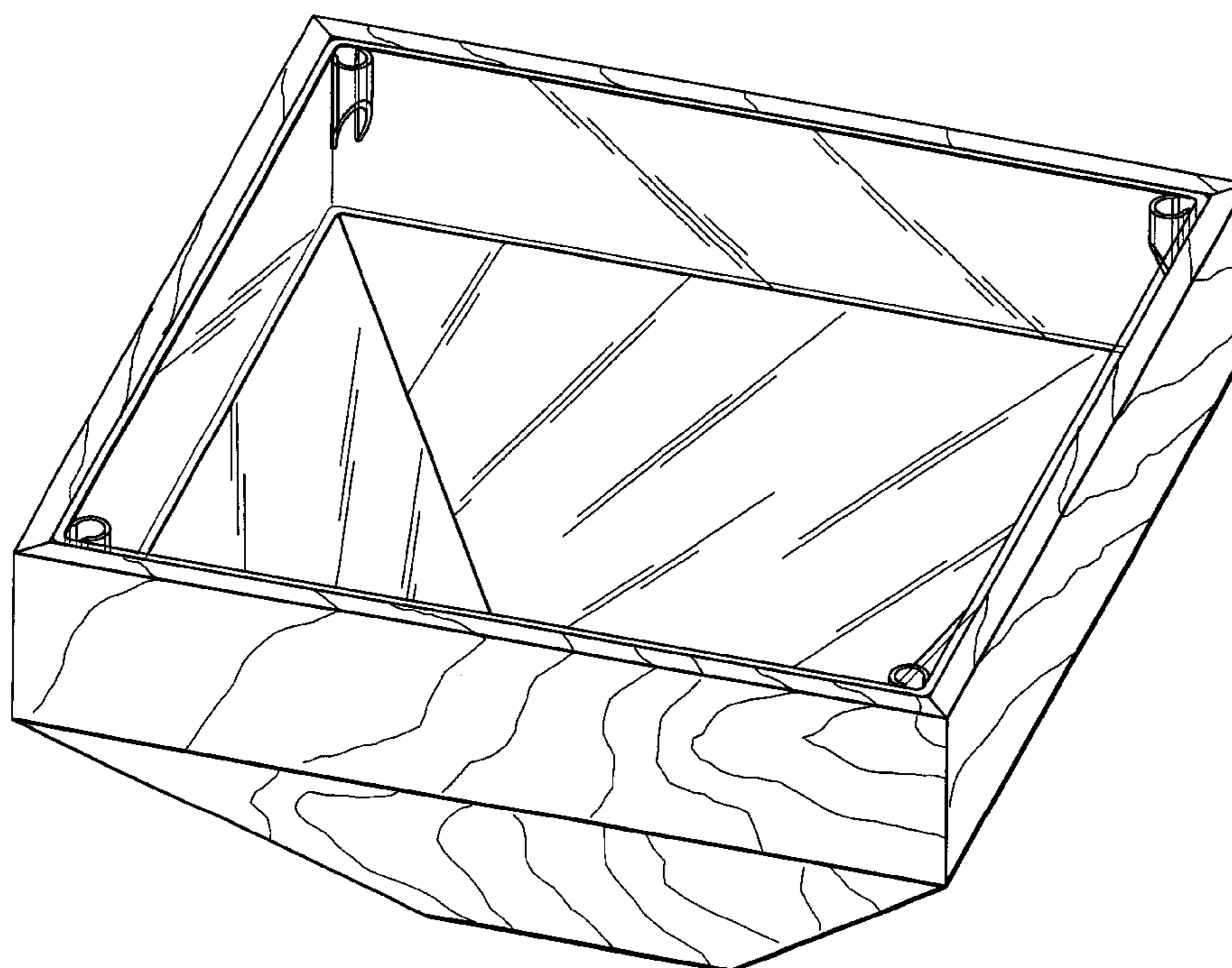
FIG. 2 is a top plan view thereof;

FIG. 3 is a side elevational view thereof with each of the remaining four sides being identical;

FIG. 4 is a bottom plan view thereof; and,

FIG. 5 is an exploded perspective view illustrating an insert into a container thereof, the insert and container forming the base for display apparatus.

1 Claim, 5 Drawing Sheets



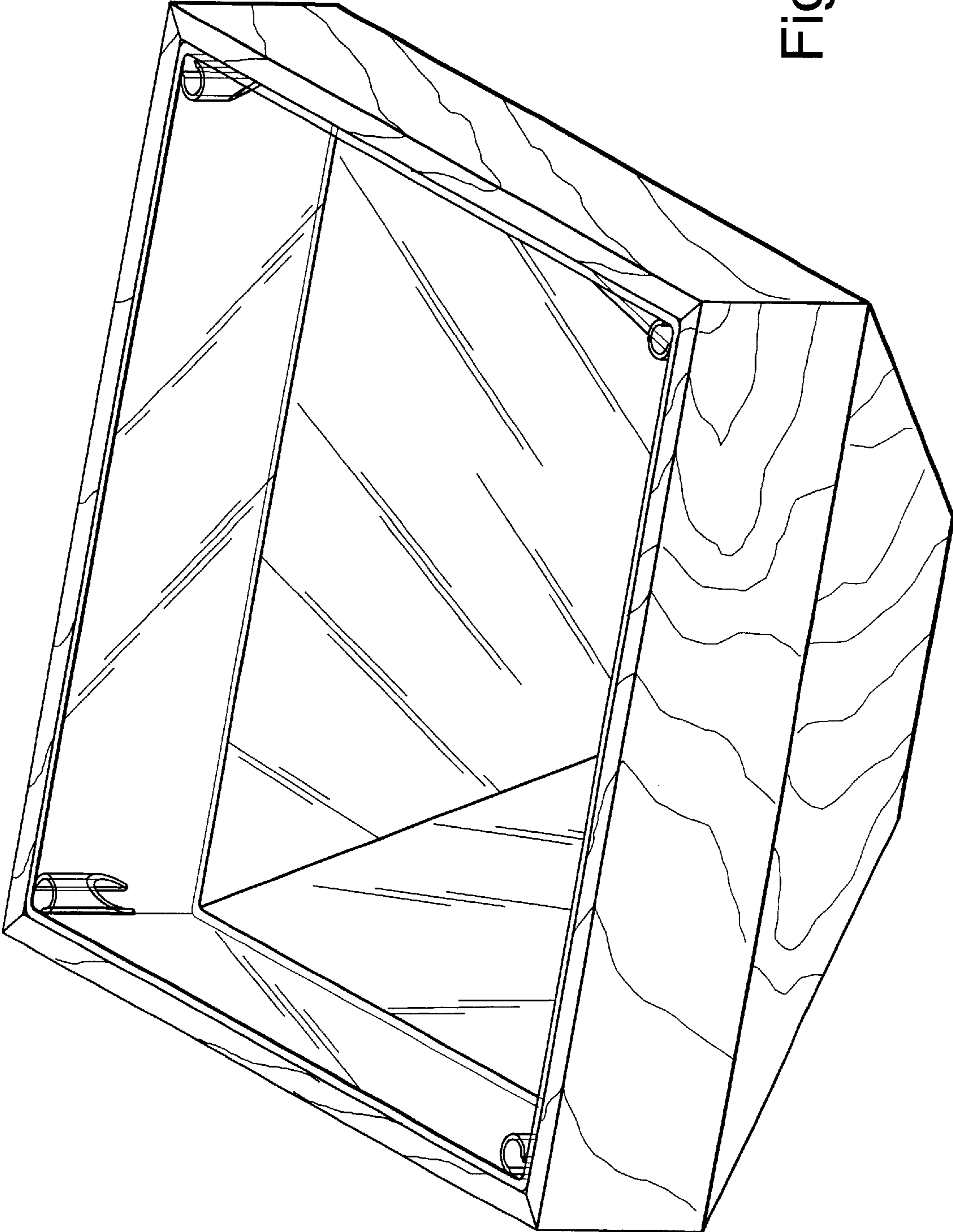
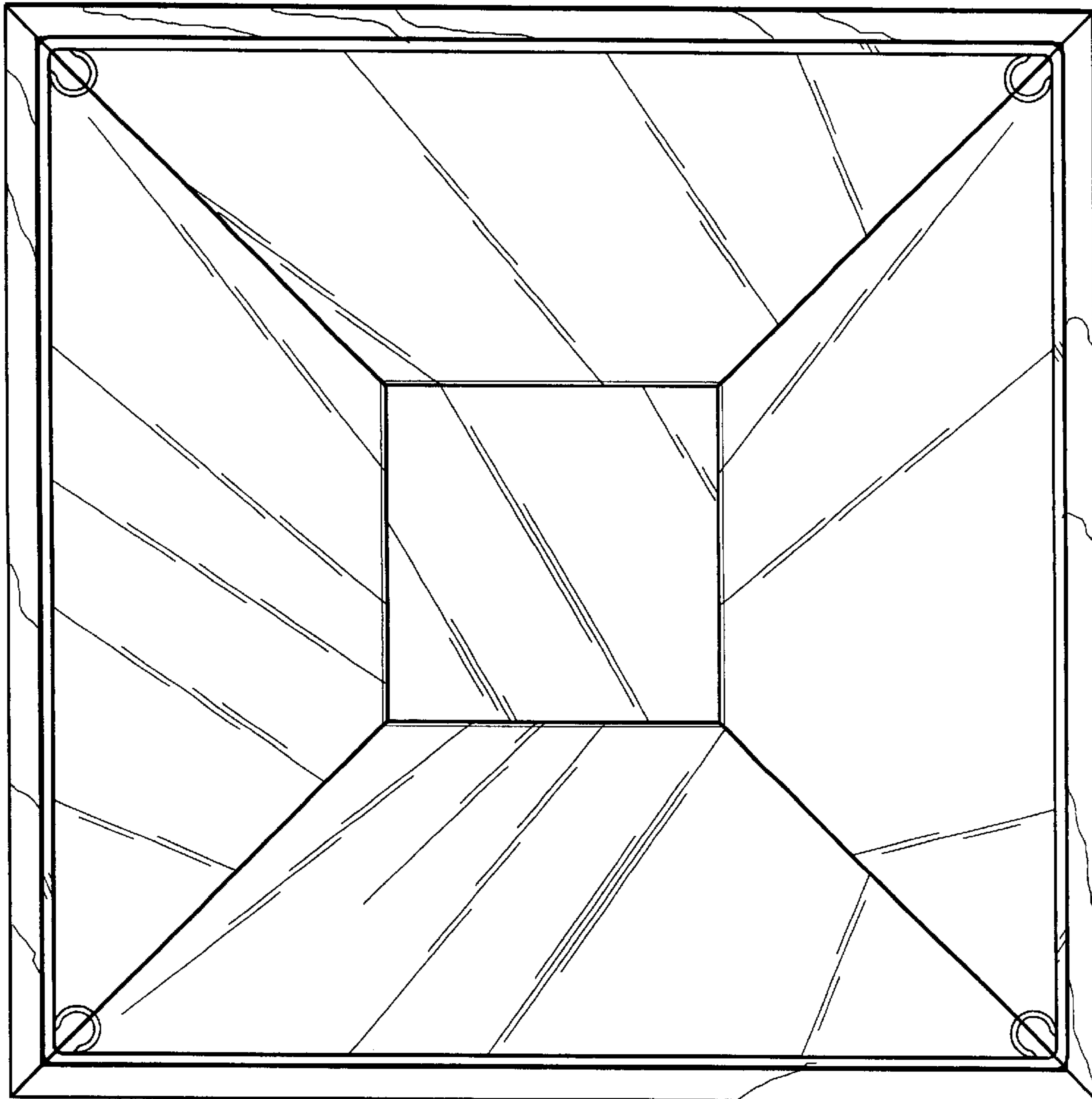


Fig. 1

Fig. 2



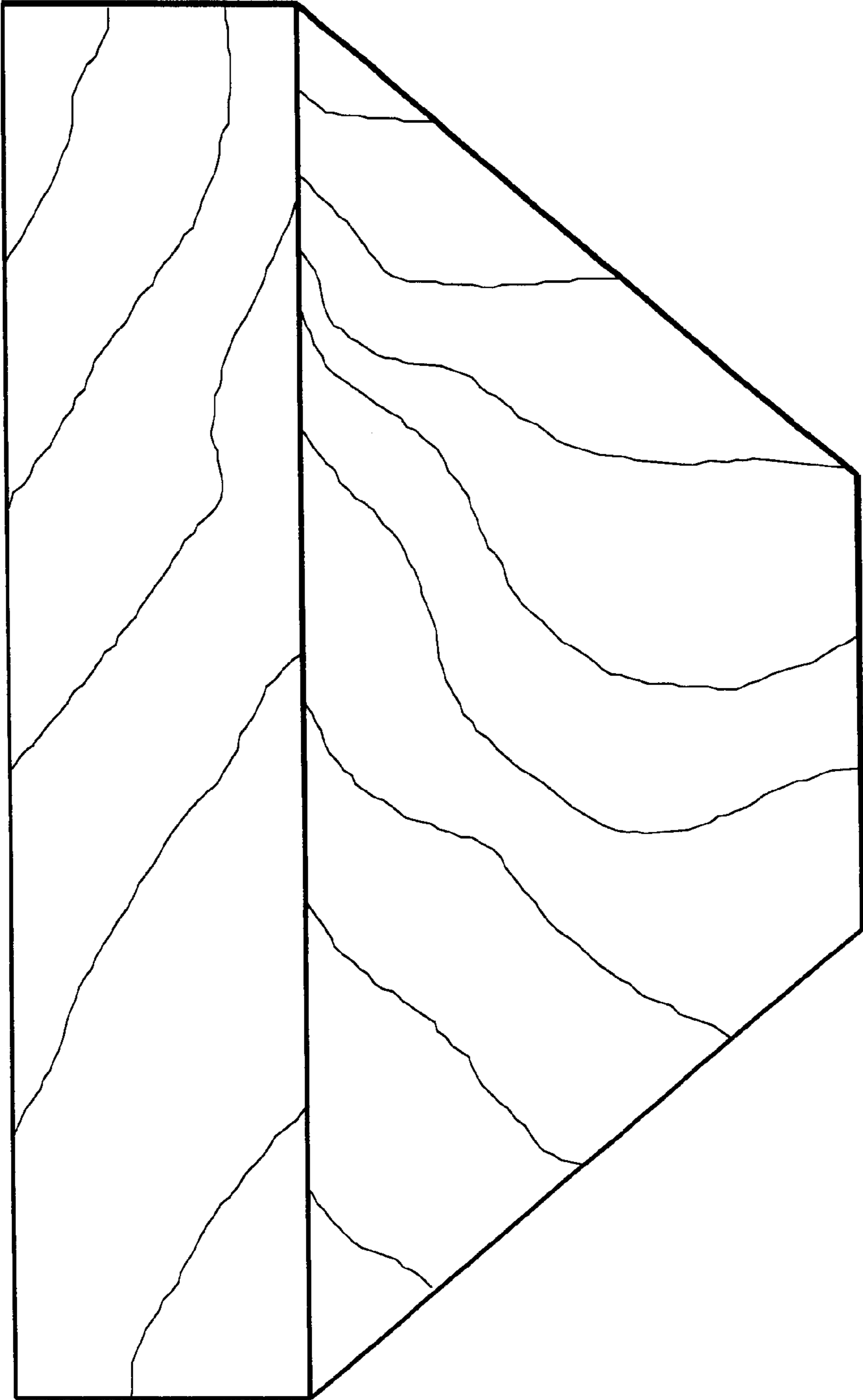


Fig. 3

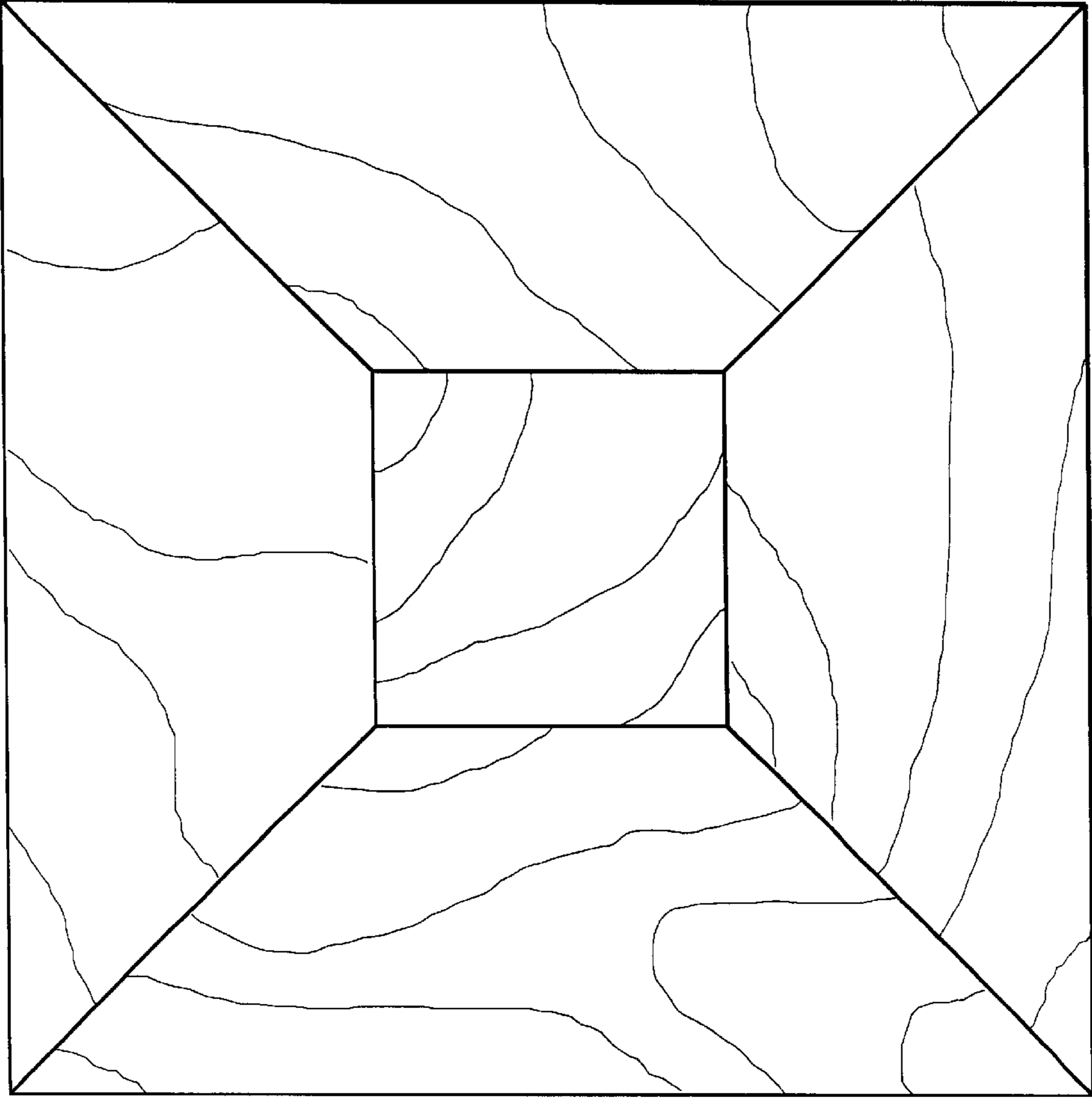


Fig.4

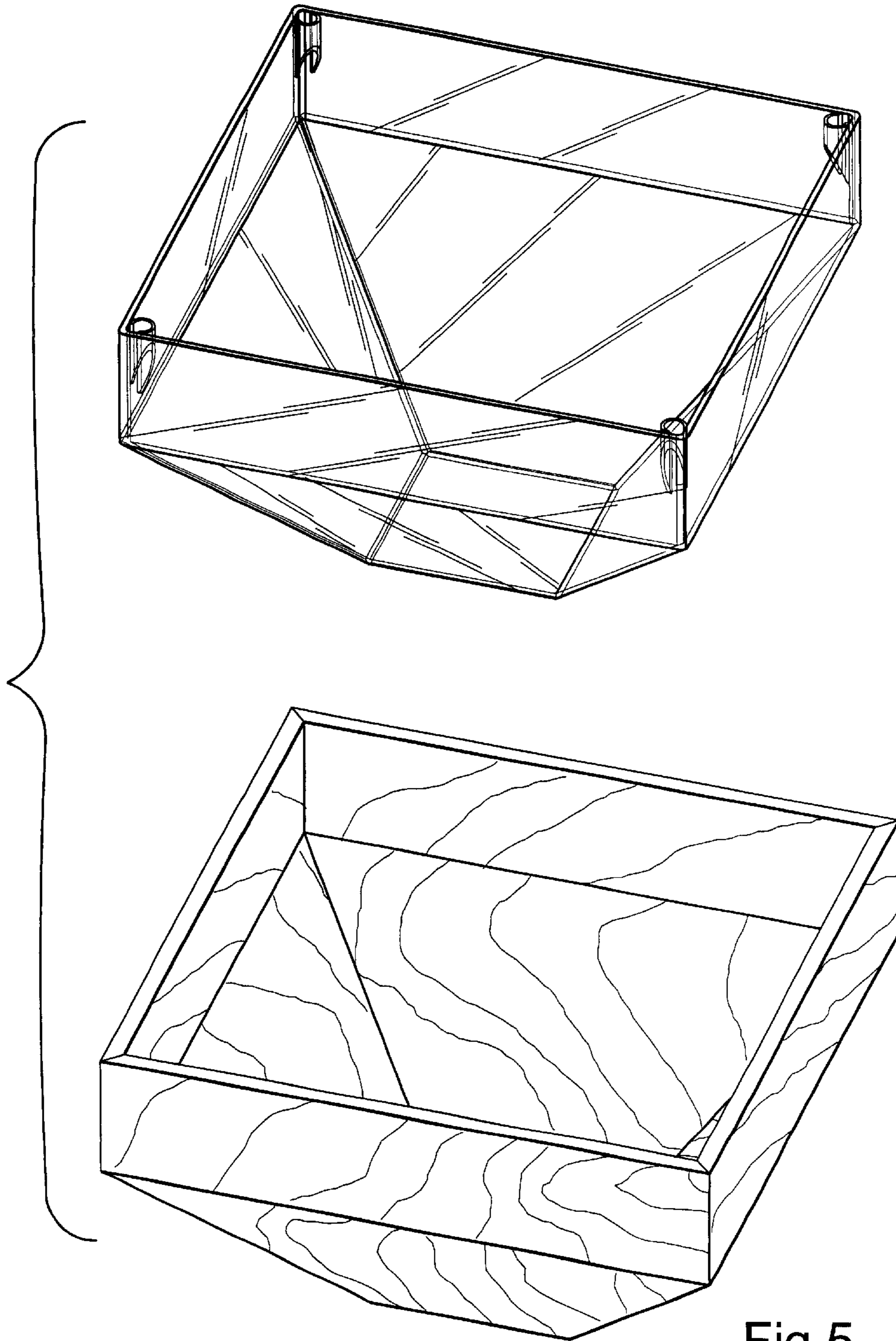


Fig.5