



US00D519297S

(12) **United States Design Patent** (10) **Patent No.:** **US D519,297 S**
Wanek et al. (45) **Date of Patent:** **** Apr. 25, 2006**

- (54) **BED**
- (75) Inventors: **Ronald G. Wanek**, Arcadia, WI (US);
Randy D. Domack, Trempealeau, WI (US)
- (73) Assignee: **Ashley Furniture Industries, Inc.**,
Arcadia, WI (US)
- (**) Term: **14 Years**
- (21) Appl. No.: **29/218,714**
- (22) Filed: **Dec. 7, 2004**

Related U.S. Application Data

- (63) Continuation of application No. 29/177,799, filed on Mar. 14, 2003, now Pat. No. Des. 499,271.
- (51) **LOC (8) Cl.** **06-01**
- (52) **U.S. Cl.** **D6/389**
- (58) **Field of Classification Search** D6/382,
D6/389, 392-395, 505-508; 5/53.1, 279.1,
5/280, 281, 310, 907, 414, 113
See application file for complete search history.

(56) **References Cited**

U.S. PATENT DOCUMENTS

- D345,263 S * 3/1994 Keller D6/389
- D368,178 S 3/1996 Walters, III et al.
- D368,601 S 4/1996 Cain
- D372,809 S 8/1996 Keller
- D378,257 S 3/1997 Cain
- D391,095 S 2/1998 Walters, III et al.
- D401,432 S 11/1998 Lowery
- D417,089 S 11/1999 McDaniel et al.
- D418,691 S 1/2000 O'Hare
- D419,329 S 1/2000 Cain
- D422,167 S 4/2000 Vaaler
- D423,245 S * 4/2000 McDaniel et al. D6/389
- D427,449 S 7/2000 O'Hare
- D443,152 S 6/2001 O'Hare et al.
- D443,445 S 6/2001 O'Hare et al.
- D448,947 S * 10/2001 McDaniel et al. D6/389
- D454,719 S * 3/2002 Vaaler D6/389

- D455,283 S * 4/2002 McDaniel et al. D6/393
- D455,284 S 4/2002 Vaaler
- D470,331 S 2/2003 Stanton
- D499,271 S * 12/2004 Wanek et al. D6/389

OTHER PUBLICATIONS

Millennium, B543 bed, copyright Oct. 2002, Ashley furniture, submitted by applicant in appendix.*
Complaint filed with the United States District Court—Western District of Wisconsin, Apr. 5, 2004 by Ashley Furniture Industries, Inc., Case No. 05-C-203-C.
Answer and Counterclaim filed with the United States District Court—Western District of Wisconsin, May 3, 2005, by Lifestyle Enterprise, Inc., Case No. 05-C-203-C.
Amended Answer and Counterclaim filed with the United States District Court—Western District of Wisconsin, Jun. 13, 2005, by Lifestyle Enterprise, Inc., Case No. 05-C-203-C.
Monte Carlo bed advertisement, by AICO Furniture.
B3300 bed advertisement, by Collezione Europa USA.

(Continued)

Primary Examiner—Janice E. Seeger
(74) *Attorney, Agent, or Firm*—Patterson, Thuente, Skaar & Christensen, P.A.

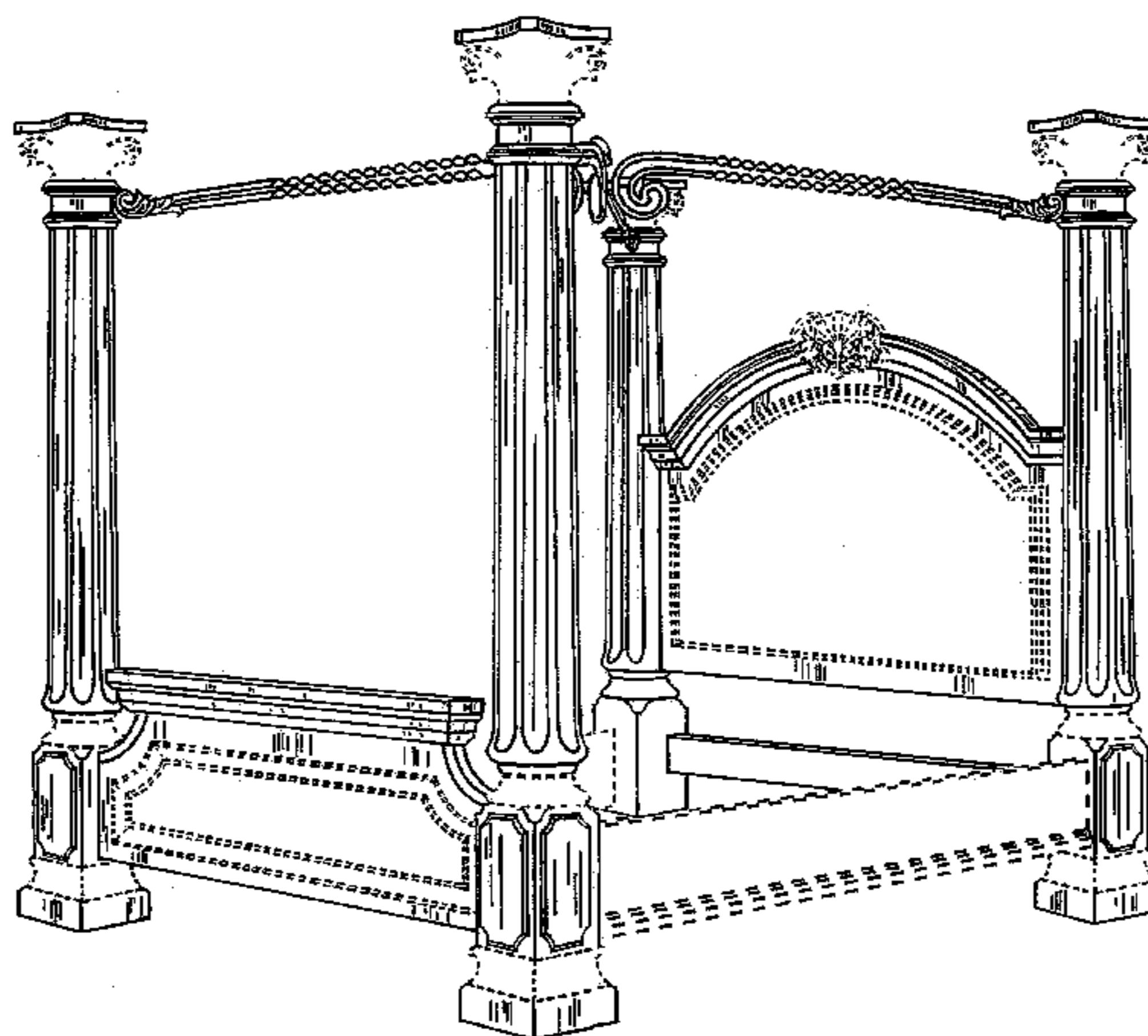
(57) **CLAIM**

We claim the ornamental design for bed, as shown and described.

DESCRIPTION

FIG. 1 is a perspective view from the front right side of a bed depicting the design of the present invention. The front left side view being a mirror image thereof.
FIG. 2 is a front elevation view of the bed depicting the design of the present invention; and,
FIG. 3 is a side elevation view of the bed depicting the design of the present invention. The other side view being a mirror image thereof.
The broken lines are for environmental purposes only and form no part of the claimed design.

1 Claim, 3 Drawing Sheets



OTHER PUBLICATIONS

B3301 bed advertisement, by Collezione Europa USA.

Furniture Style, "Bordeaux Bed", Jul. 2002.

Henredon, "Amalfi Coast—Chest, Bed, Bench", www.henredon.com, Jan. 10, 2003.

Henredon, "Amalfi Coast—Bed", www.henredon.com, Jan. 10, 2003.

Furniture Today, Picture of a Bed, vol. 2, No. 7, p. 11, Oct. 16, 2000.

Furniture Today, Picture of a Bed, vol. 25, No. 7, p. 182, Oct. 16, 2000.

Furniture Today, Picture of a Bed, p. 44, Oct. 9, 2000.

Furniture Today, Bedroom Report, Henredon, Visage bed, p. 9, Sep. 11, 2000.

Furniture Today, Picture of a Bed, p. 67, May 22, 2000.

Furniture Today, Picture of a Bed, p. 19, Feb. 14, 2000.

Furniture Today, Wynwood, San Lucia, Martinique, p. 43, Apr. 8, 2002.

Furniture Today, Wynwood, Advertisement, p. 6, Dec. 6, 1999.

Furniture Today, Advertisement, p. 30, Feb. 17, 2003.

Furniture Today, Wynwood, Advertisement, p. 22, Jun. 7, 1999.

Furniture Today, Arbek, Mon Ste. Michel, Advertisement, p. 61, May 24, 1999.

Carroll, Brian, *Furniture Today—Market Highlights*, p. 8, Apr. 26, 1999.

Furniture Today, Picture of a Bed, p. 23, Feb. 15, 1999.

Furniture Today, Picture of a Bed (1389), Apr. 14, 1997.

Furniture Today, Picture of a Bed, Dec. 1997.

Grand Geneva Millennium bed by Ashley (public in Oct. 2001), 1 page.

* cited by examiner

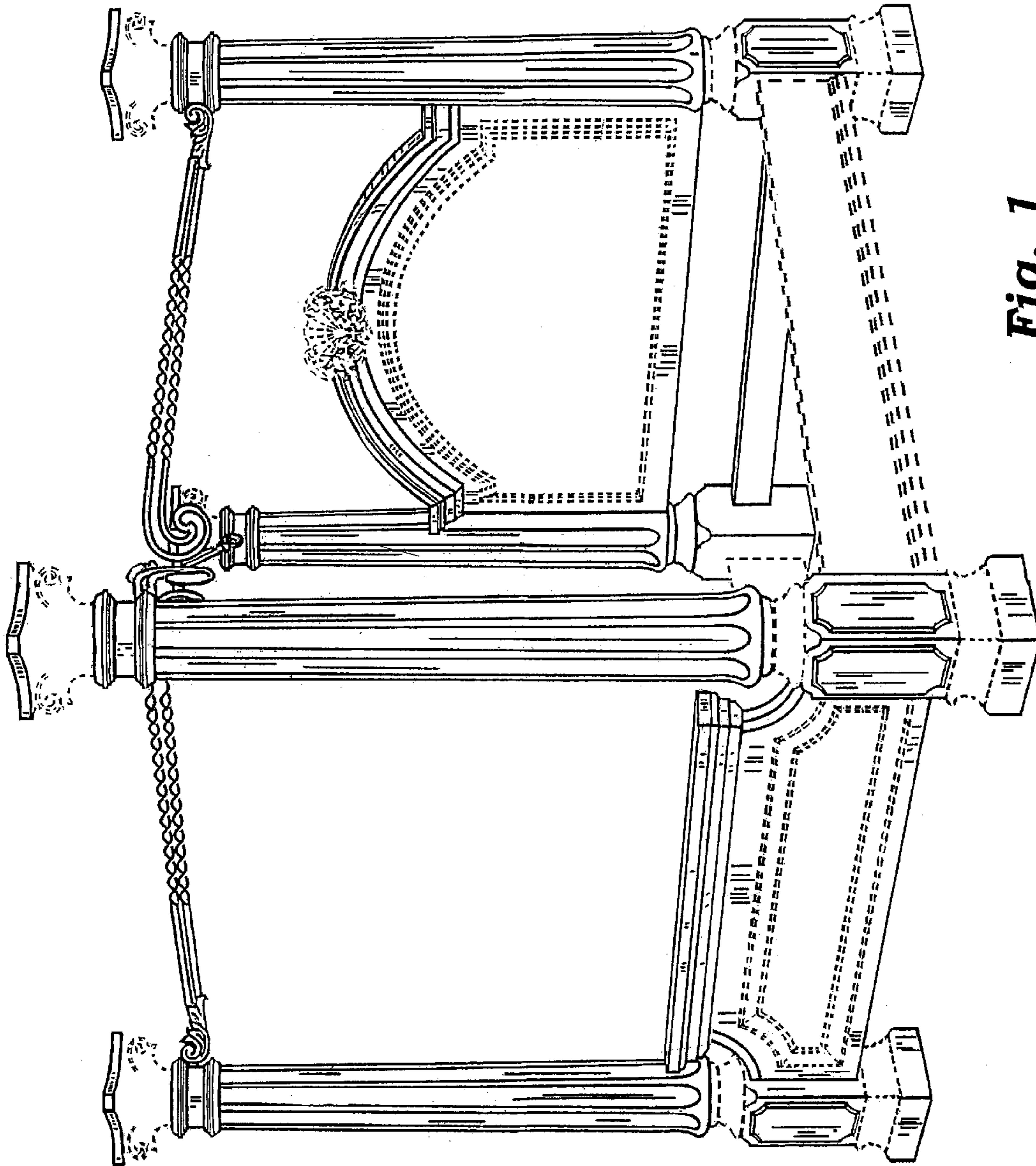


Fig. 1

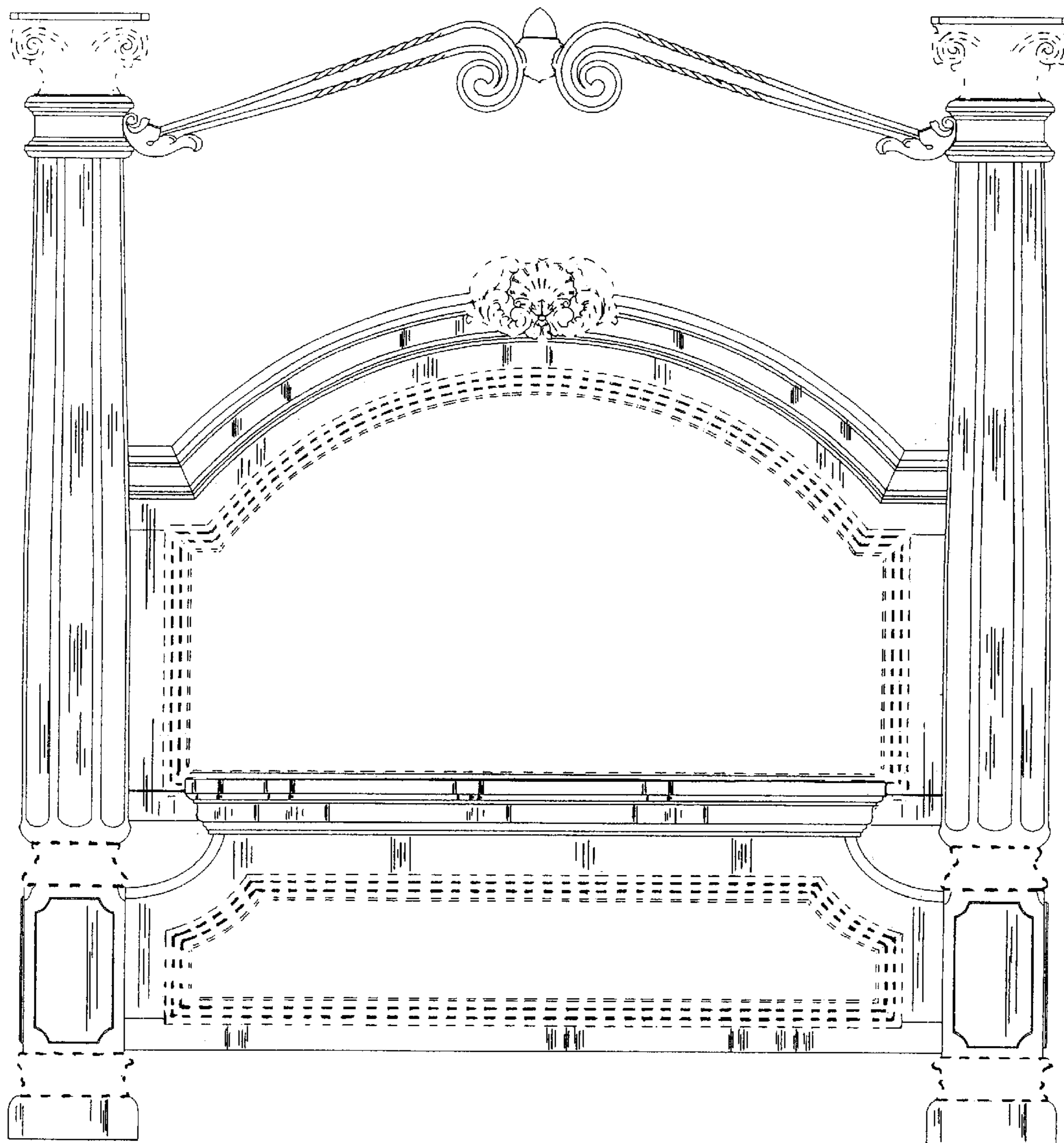


Fig. 2

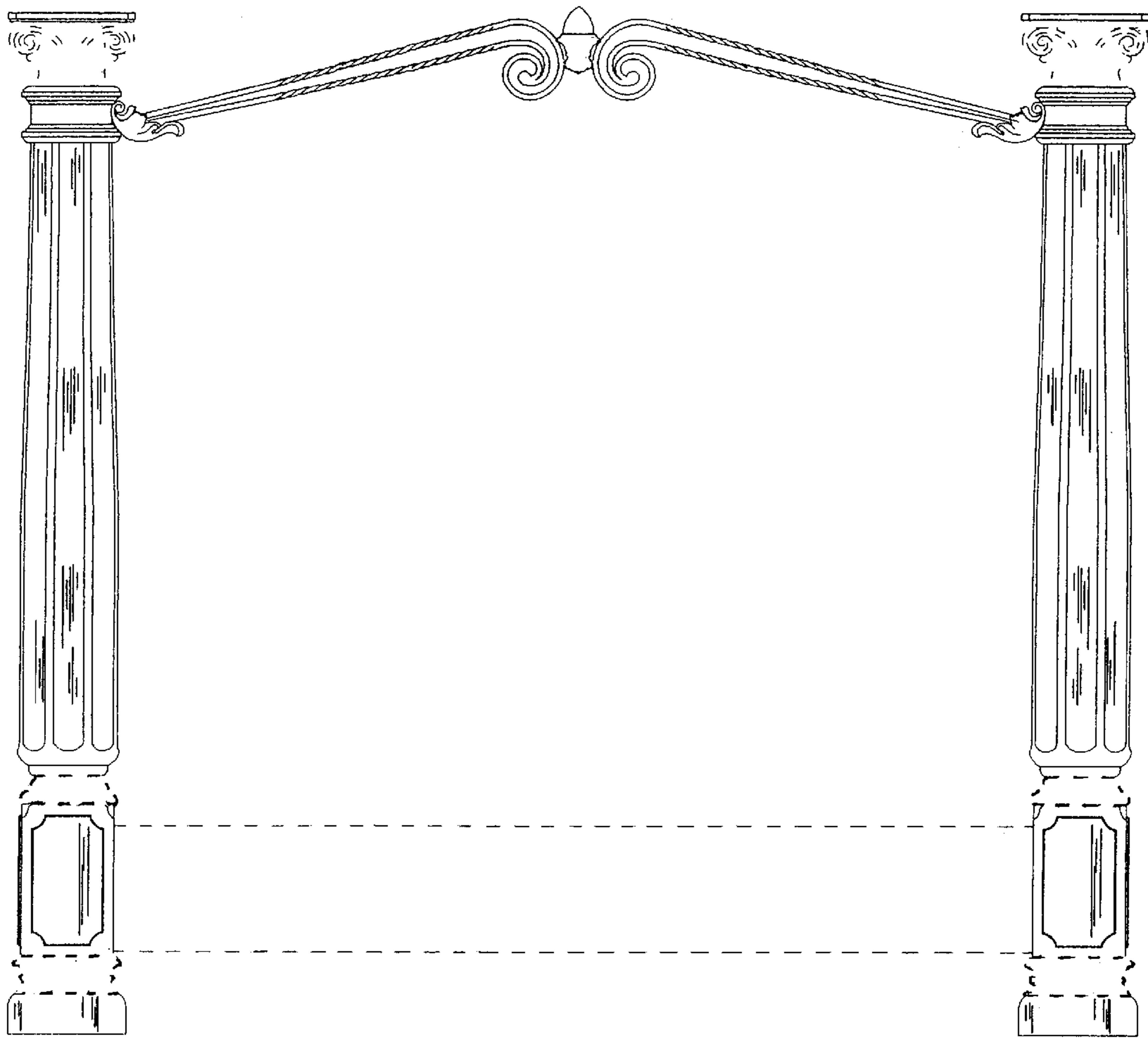


Fig. 3