



US00D519292S

(12) **United States Design Patent**
Ashby

(10) **Patent No.:** **US D519,292 S**

(45) **Date of Patent:** **** Apr. 25, 2006**

(54) **FOLDING CHAIR WITH ARMRESTS**

(75) Inventor: **Kent Ashby**, Logan, UT (US)

(73) Assignee: **Lifetime Products, Inc.**, Clearfield, UT (US)

(**) Term: **14 Years**

(21) Appl. No.: **29/225,155**

(22) Filed: **Mar. 10, 2005**

(51) **LOC (8) Cl.** **06-01**

(52) **U.S. Cl.** **D6/368**

(58) **Field of Classification Search** D6/334–336,
D6/368, 374, 376, 379, 380, 500–502; 297/16.1,
297/40, 41, 55, 56, 57, 58, 59, 452.1, 452.29,
297/452.36

See application file for complete search history.

(56) **References Cited**

U.S. PATENT DOCUMENTS

D418,322 S	*	1/2000	Hock	D6/374
D435,977 S	*	1/2001	Ambasz	D6/368
D440,784 S	*	4/2001	Ambasz	D6/368
D443,429 S	*	6/2001	Mower et al.	D6/368
D465,665 S	*	11/2002	Ritchie et al.	D6/368
6,543,842 B1	*	4/2003	Haney	297/55
D475,544 S	*	6/2003	Chadwick et al.	D6/380
D477,470 S	*	7/2003	Haney et al.	D6/368
D495,891 S	*	9/2004	Ambasz	D6/374
D501,613 S	*	2/2005	Kaltenmark et al.	D6/368
6,871,906 B1	*	3/2005	Haney	297/55
D505,800 S	*	6/2005	Lucci et al.	D6/368
D505,801 S	*	6/2005	Cesaroni et al.	D6/379
D506,325 S	*	6/2005	Farber et al.	D6/368
D507,425 S	*	7/2005	Ashby et al.	D6/368
2001/0033100 A1	*	10/2001	Haney	297/55

2004/0239153 A1 * 12/2004 Leng 297/56

* cited by examiner

Primary Examiner—Mimosa De

(74) *Attorney, Agent, or Firm*—Workman Nydegger

(57) **CLAIM**

The ornamental design for a folding chair with armrests, as shown and described.

DESCRIPTION

FIG. 1 is a perspective view of a first embodiment of a folding chair with armrests;

FIG. 2 is a front view of the folding chair with armrests shown in FIG. 1;

FIG. 3 is a right side view of the folding chair with armrests shown in FIG. 1, with the right side view being a mirror image thereof;

FIG. 4 is a rear view of the folding chair with armrests shown in FIG. 1;

FIG. 5 is a bottom view of the folding chair with armrests shown in FIG. 1;

FIG. 6 is a top view of the folding chair with armrests shown in FIG. 1;

FIG. 7 is a perspective view of a second embodiment of a folding chair with armrests;

FIG. 8 is a front view of the folding chair with armrests shown in FIG. 7;

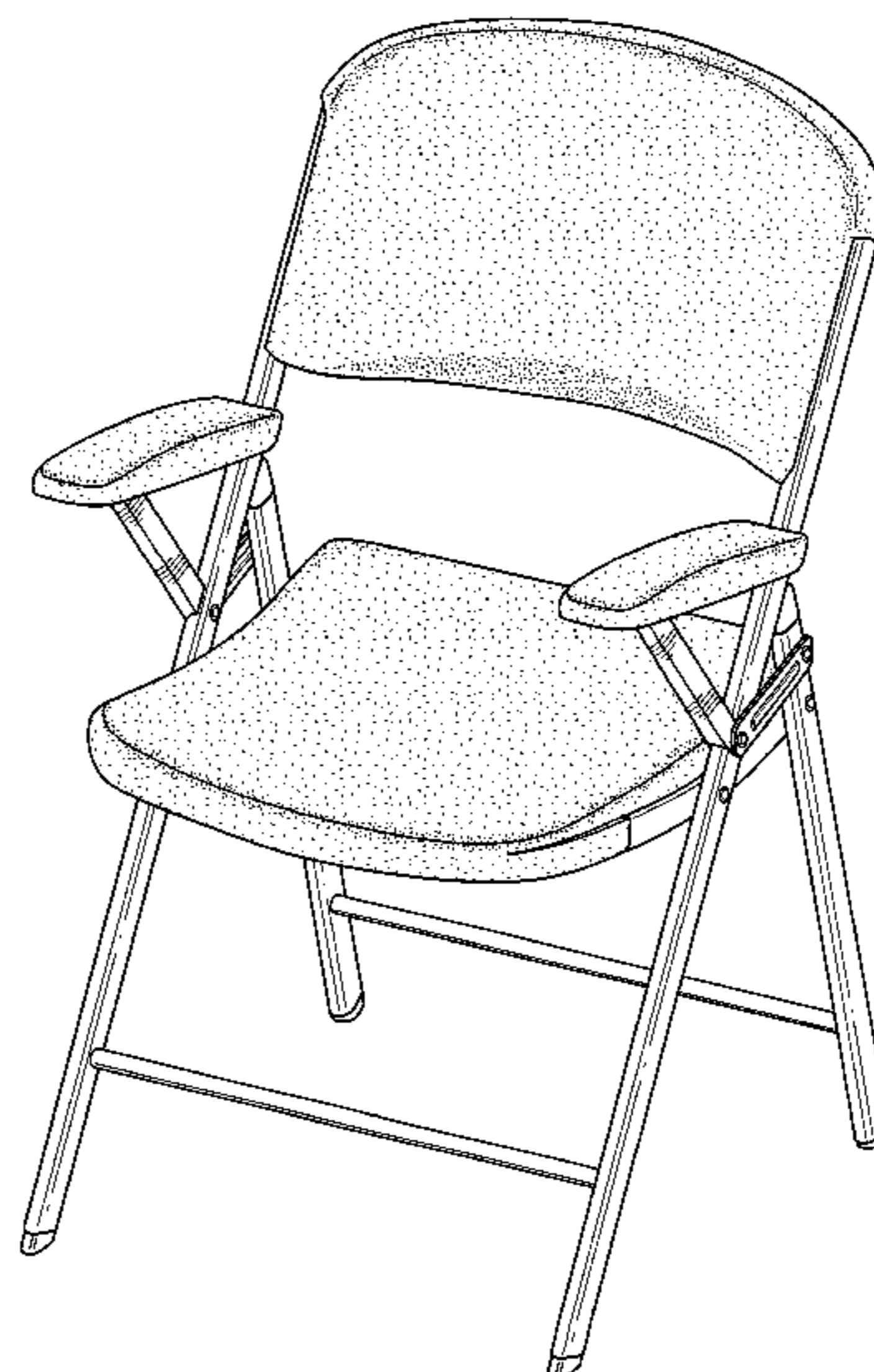
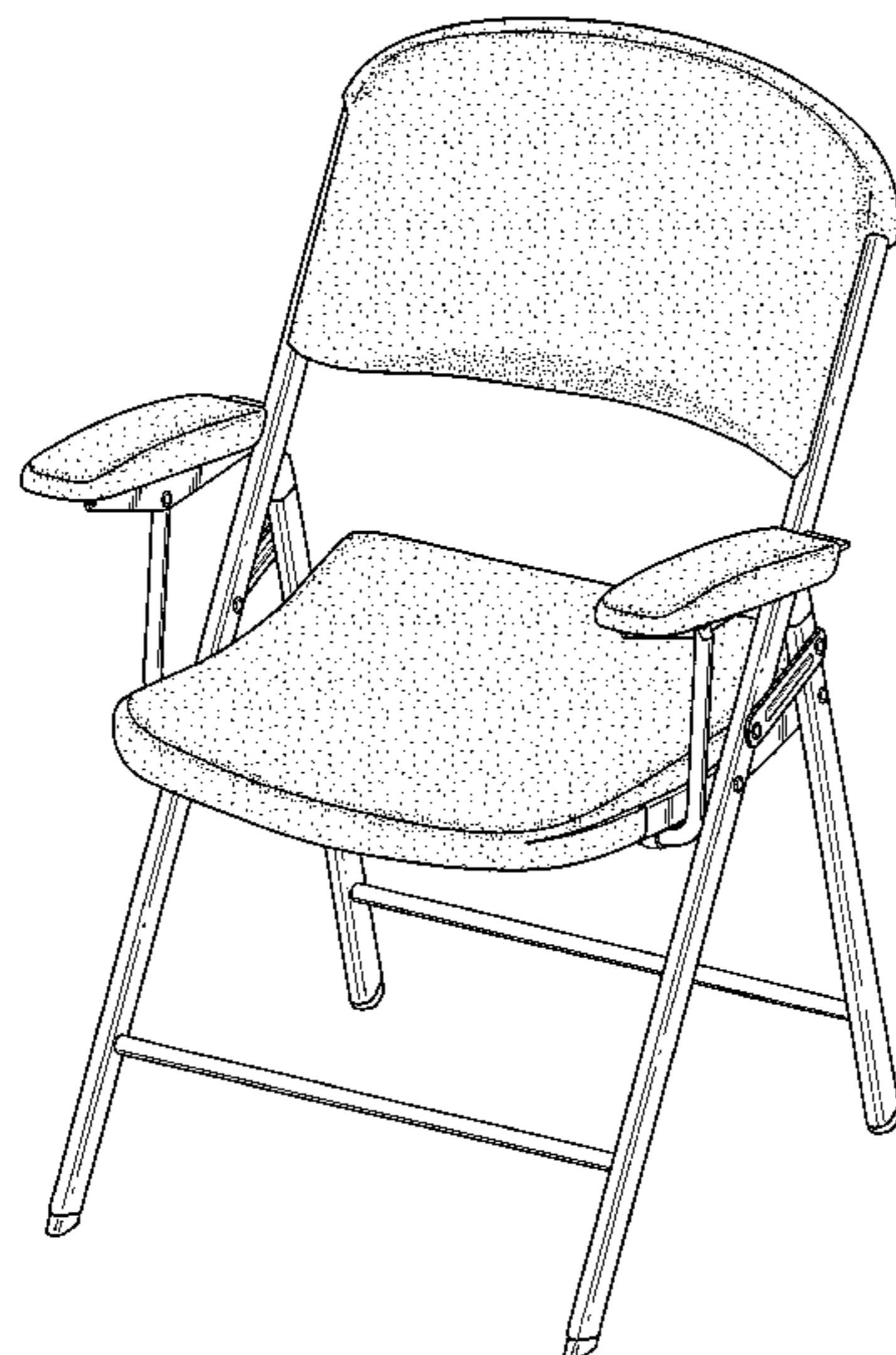
FIG. 9 is a right side view of the folding chair with armrests shown in FIG. 7, with the right side view being a mirror image thereof;

FIG. 10 is a rear view of the folding chair with armrests shown in FIG. 7;

FIG. 11 is a bottom view of the folding chair with armrests shown in FIG. 7; and,

FIG. 12 is a top view of the folding chair with armrests shown in FIG. 7.

1 Claim, 10 Drawing Sheets



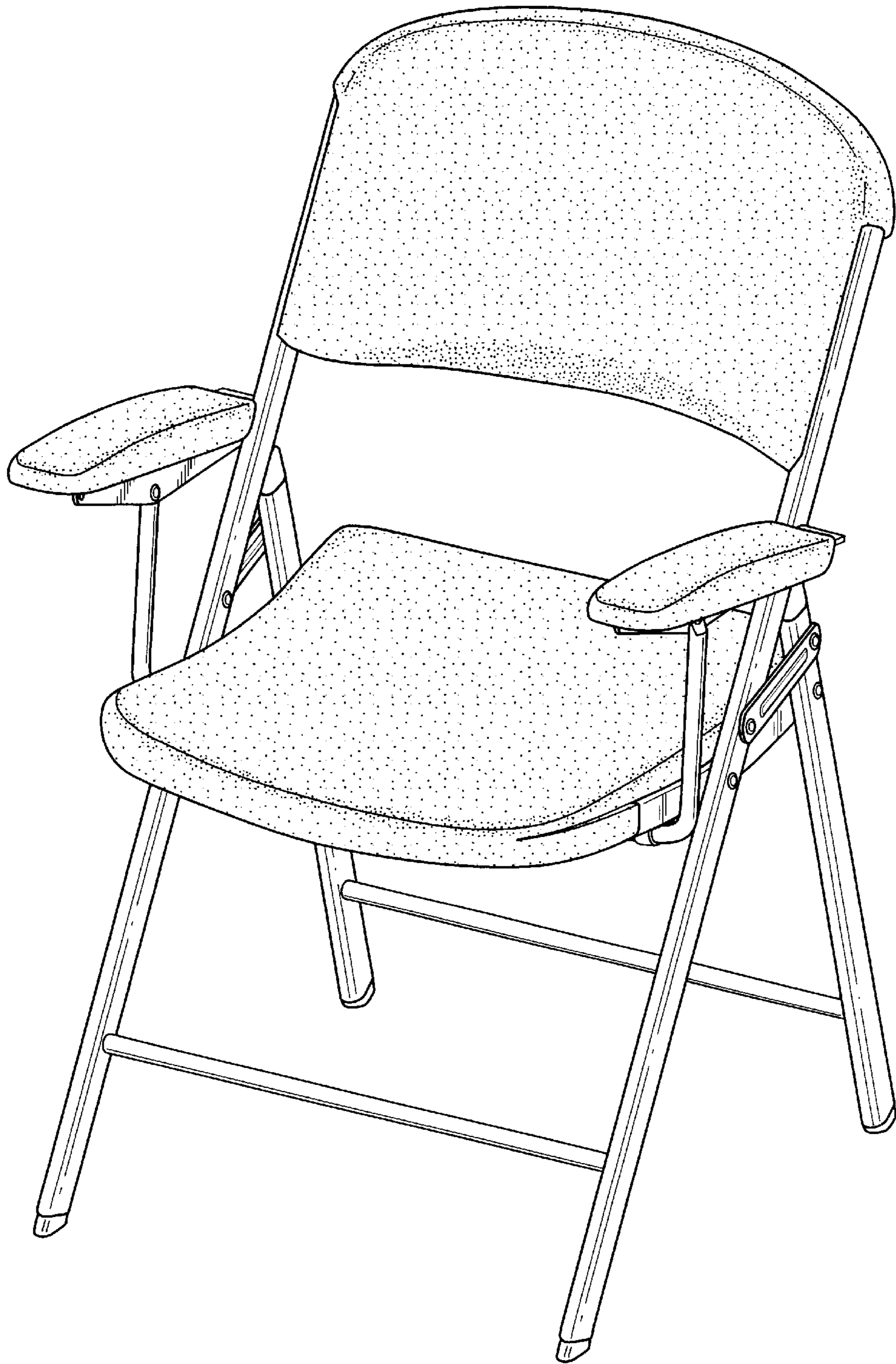


Fig. 1

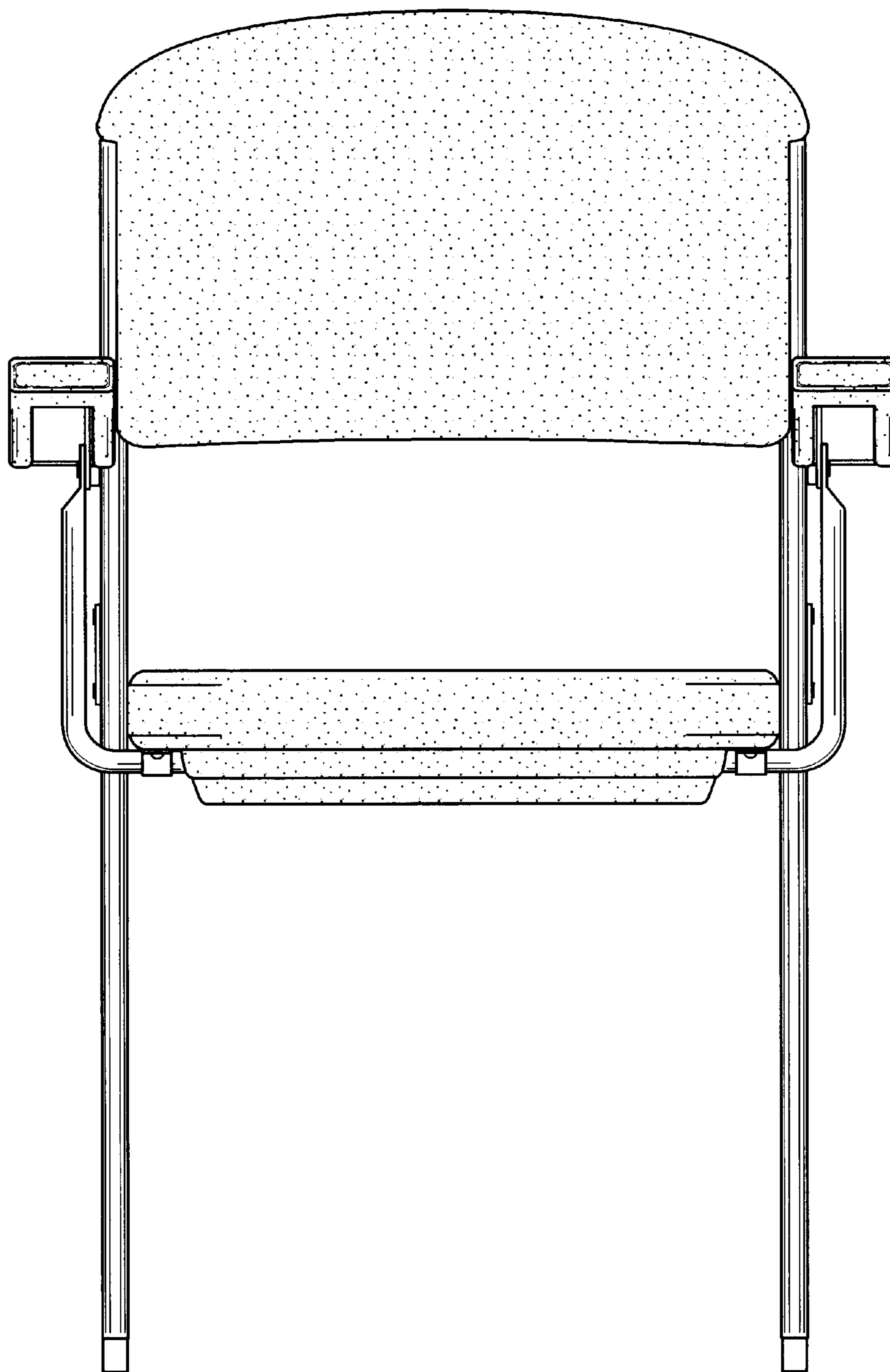


Fig. 2

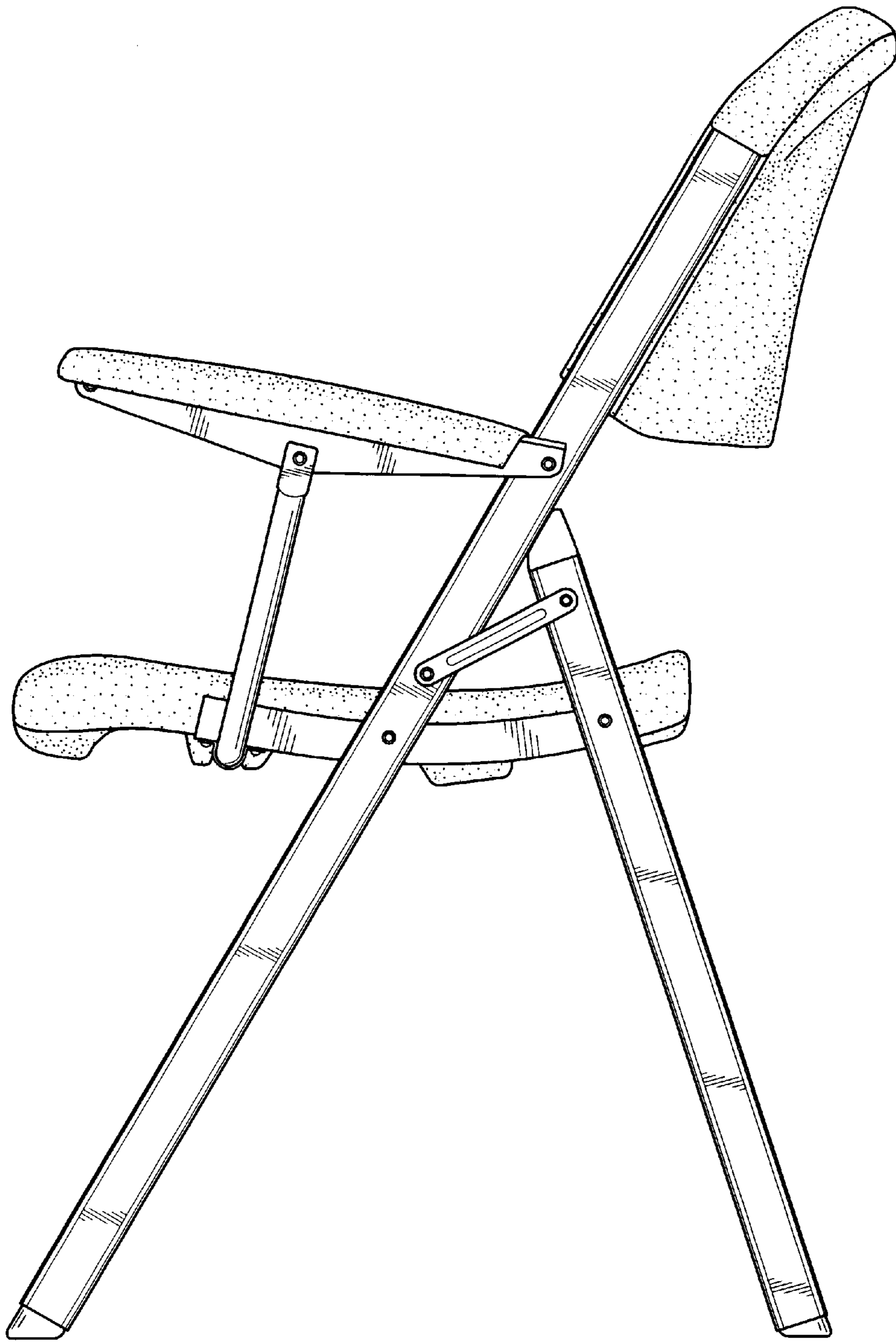


Fig. 3

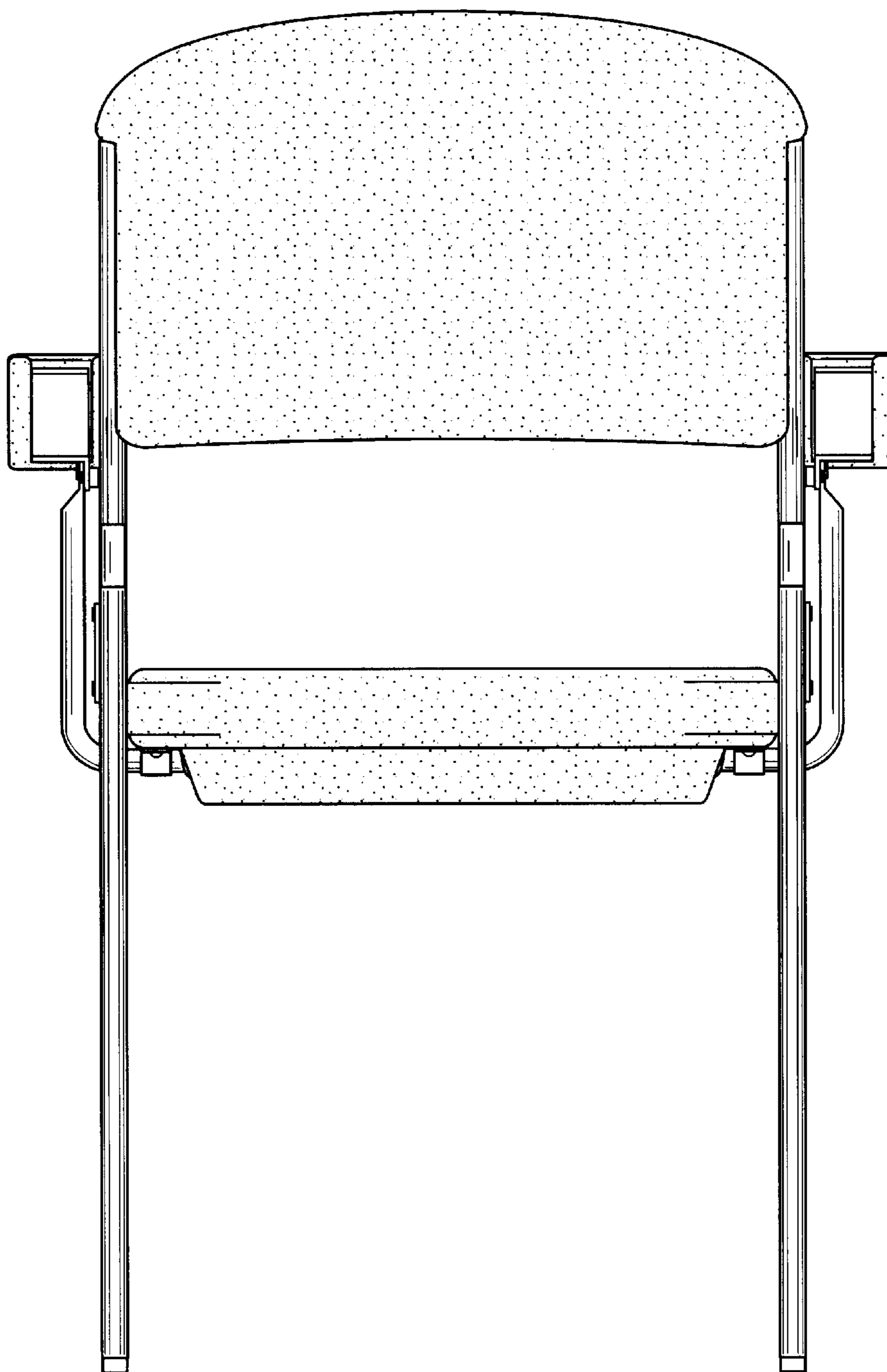


Fig. 4

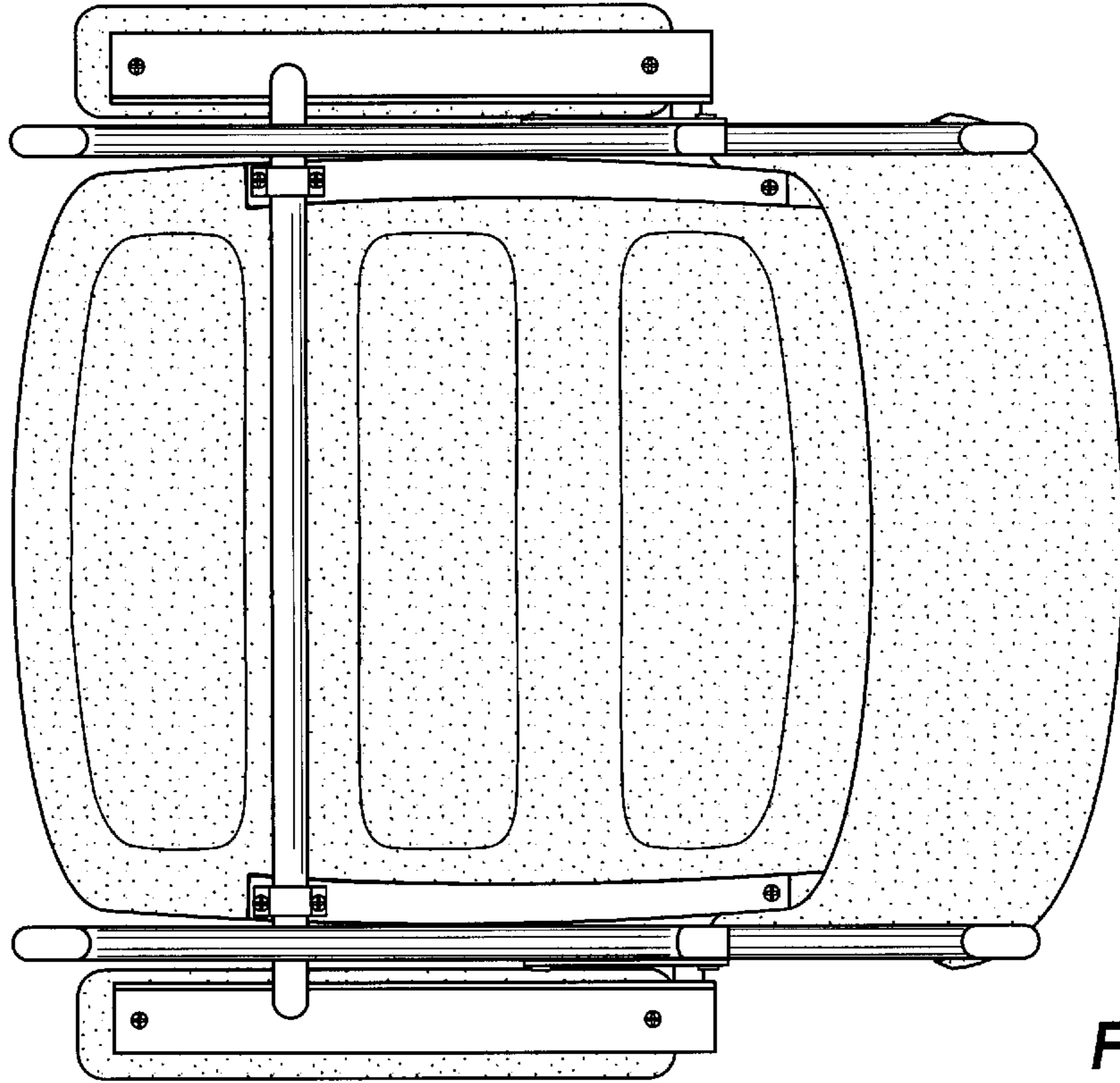


Fig. 5

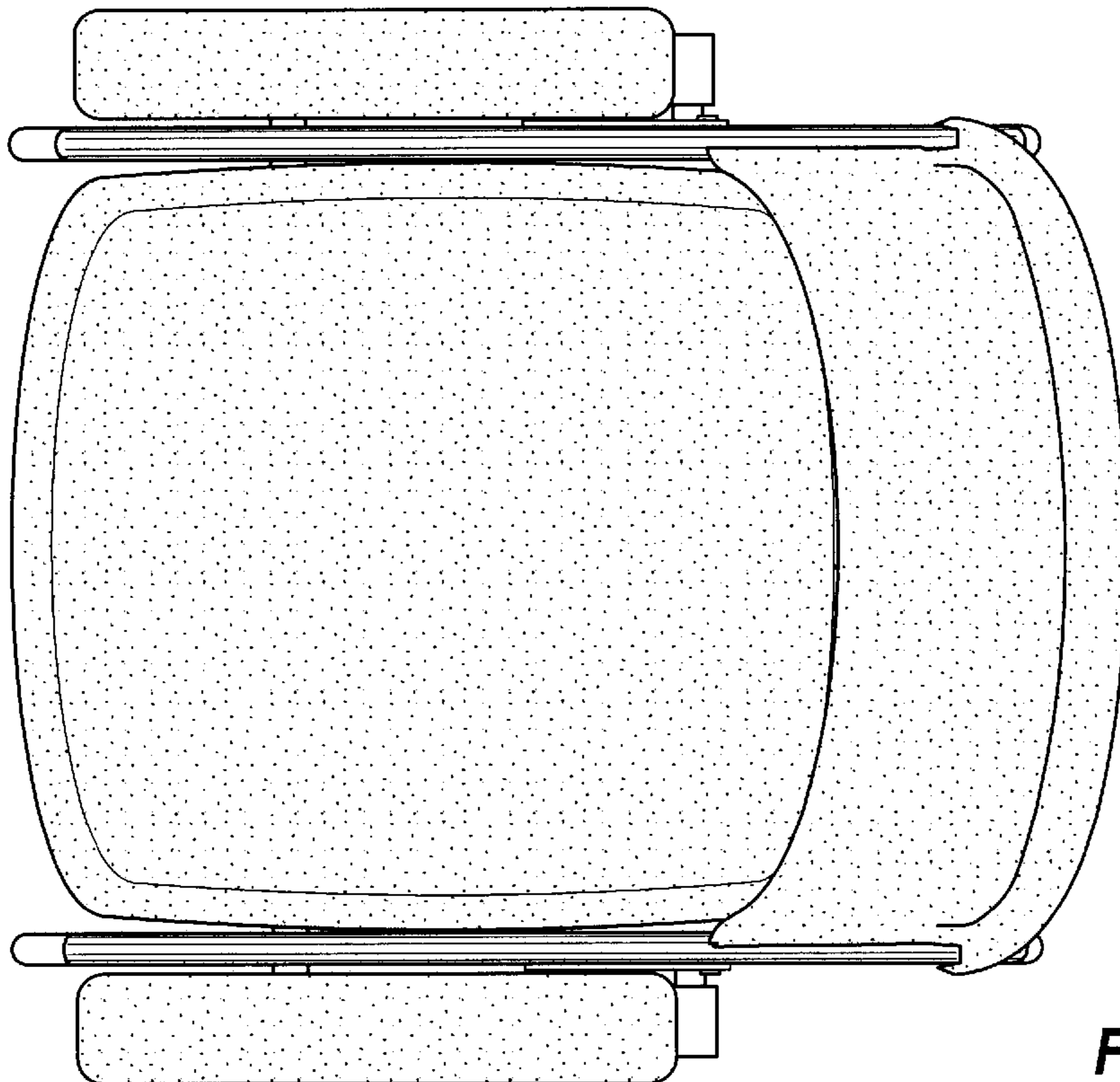


Fig. 6

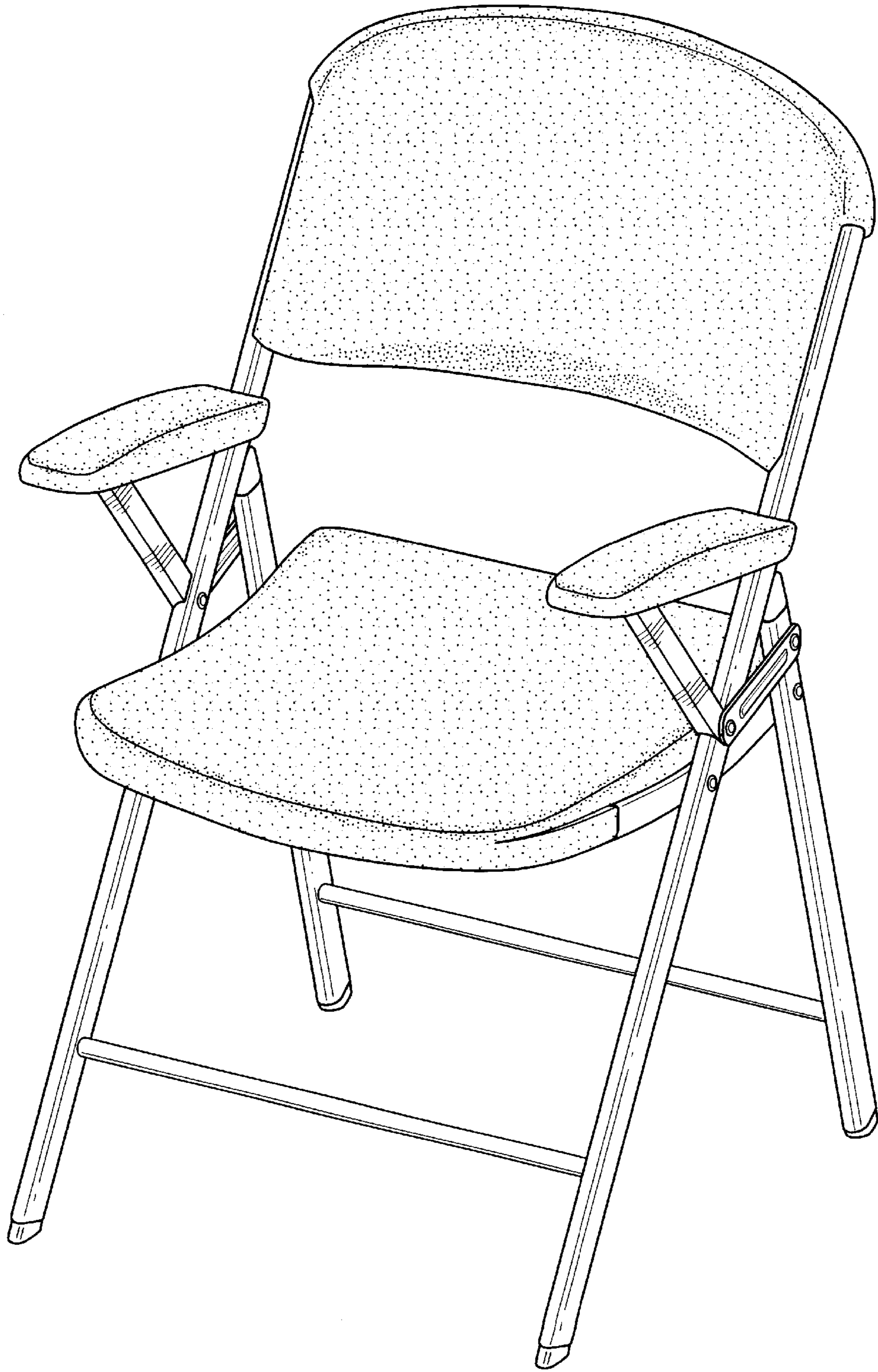


Fig. 7

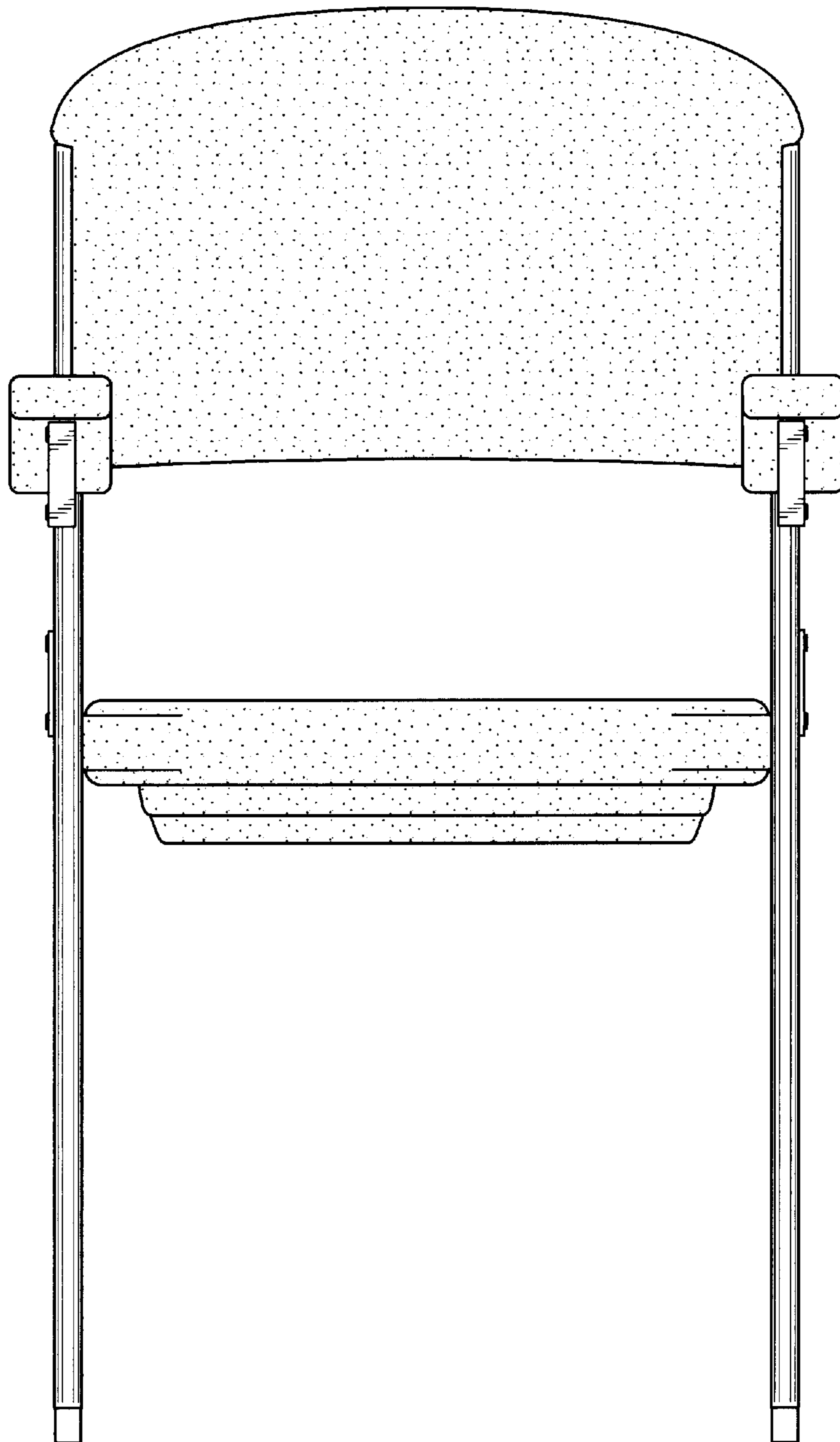


Fig. 8

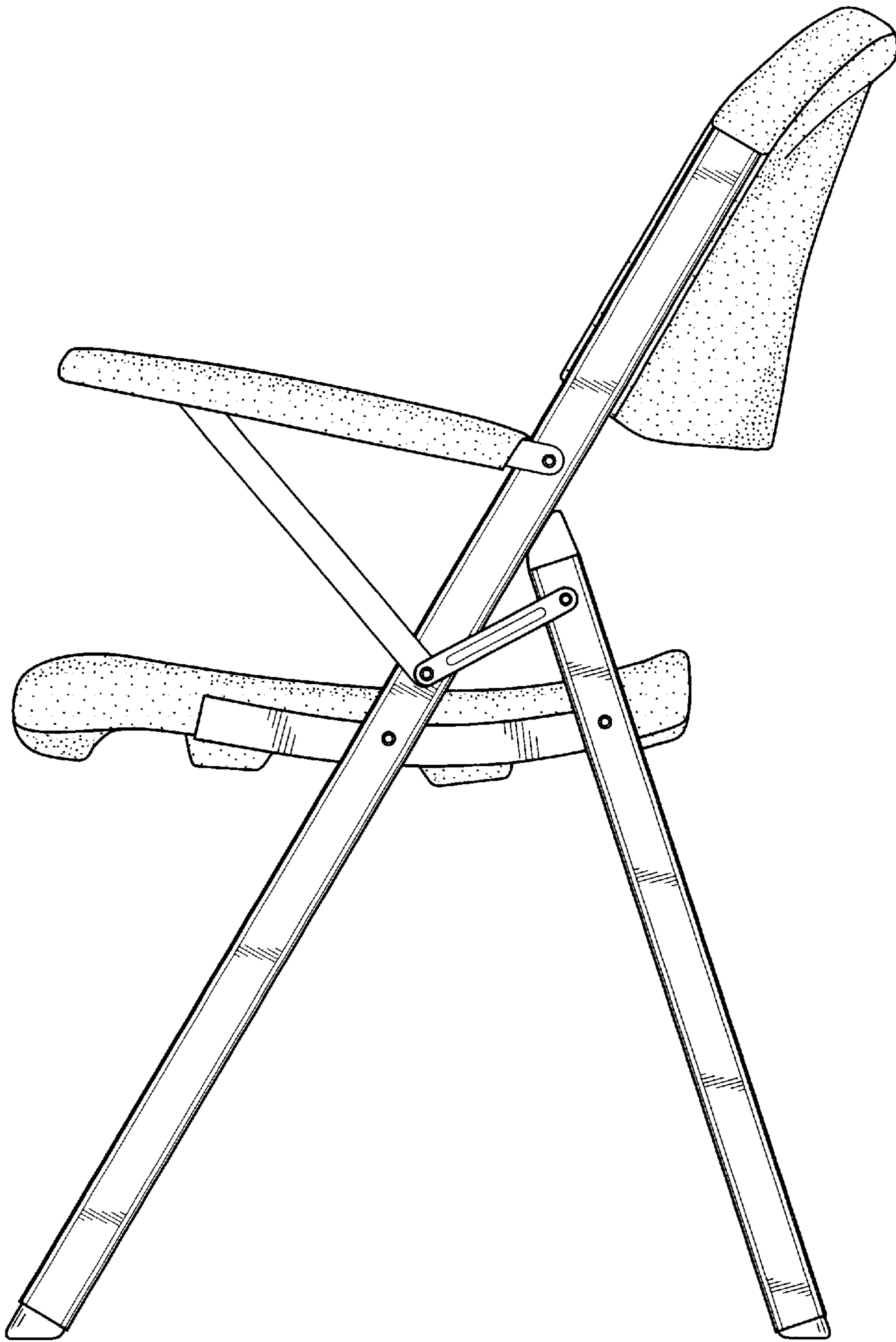


Fig. 9

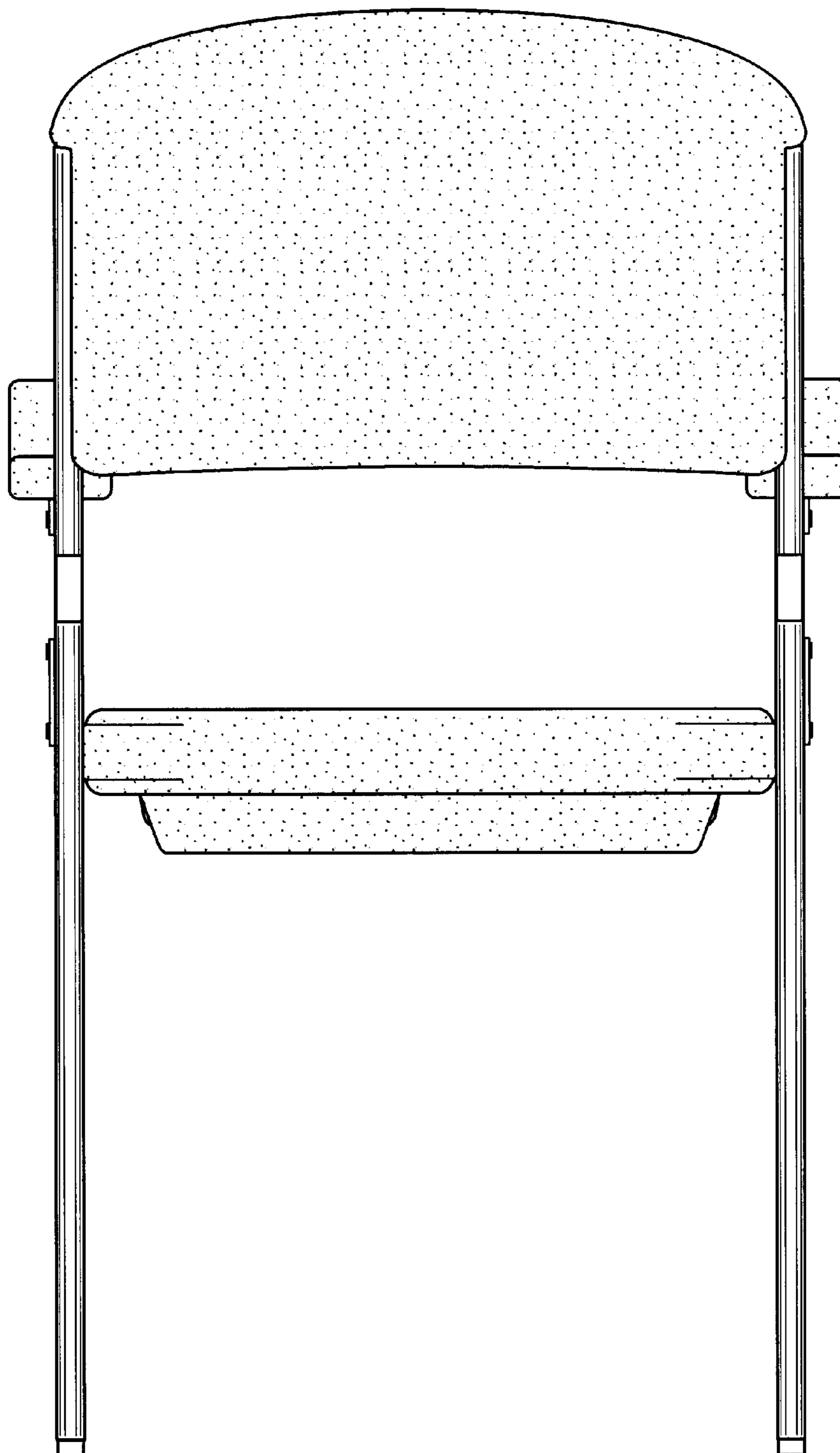


Fig. 10

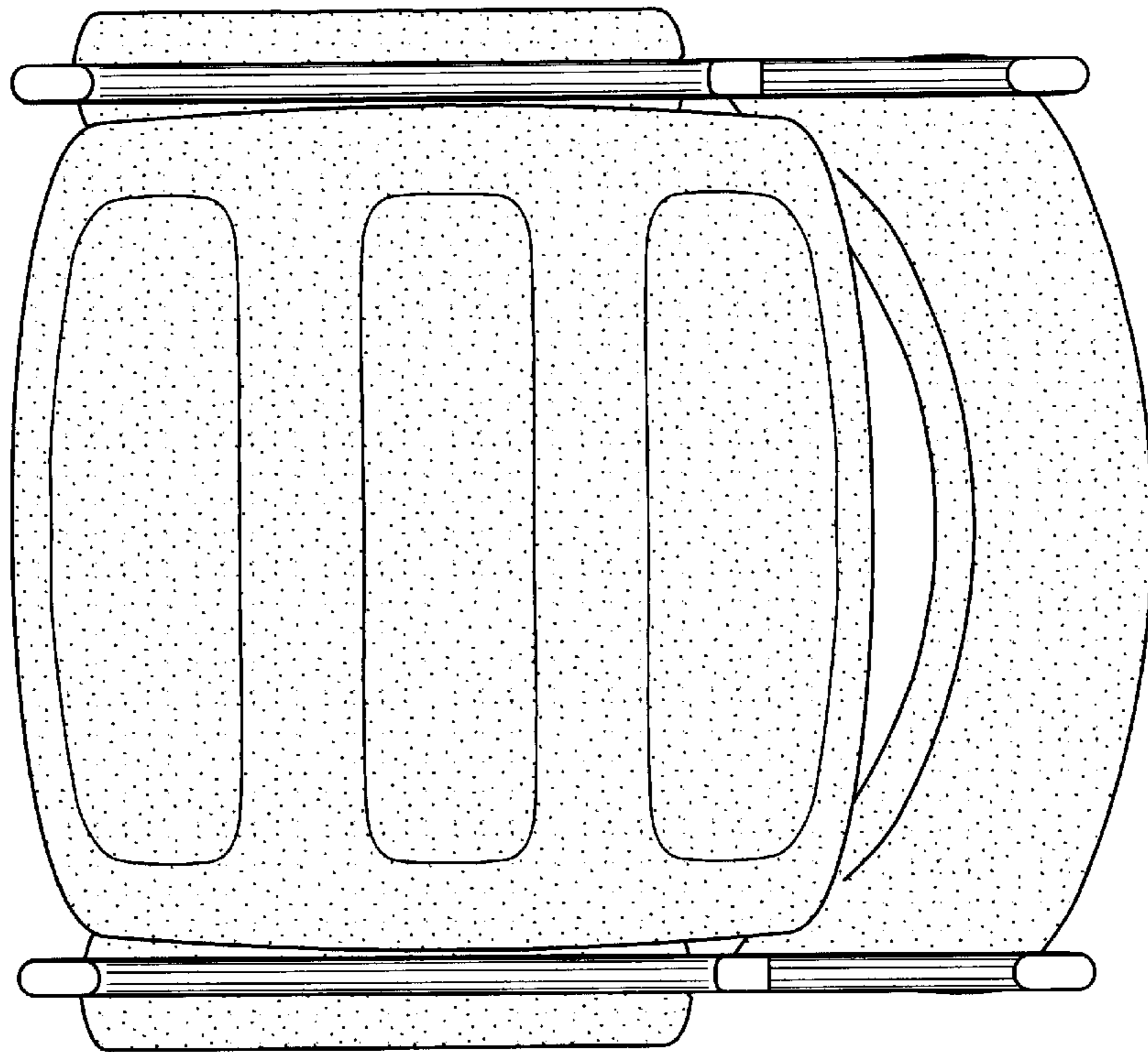


Fig. 11

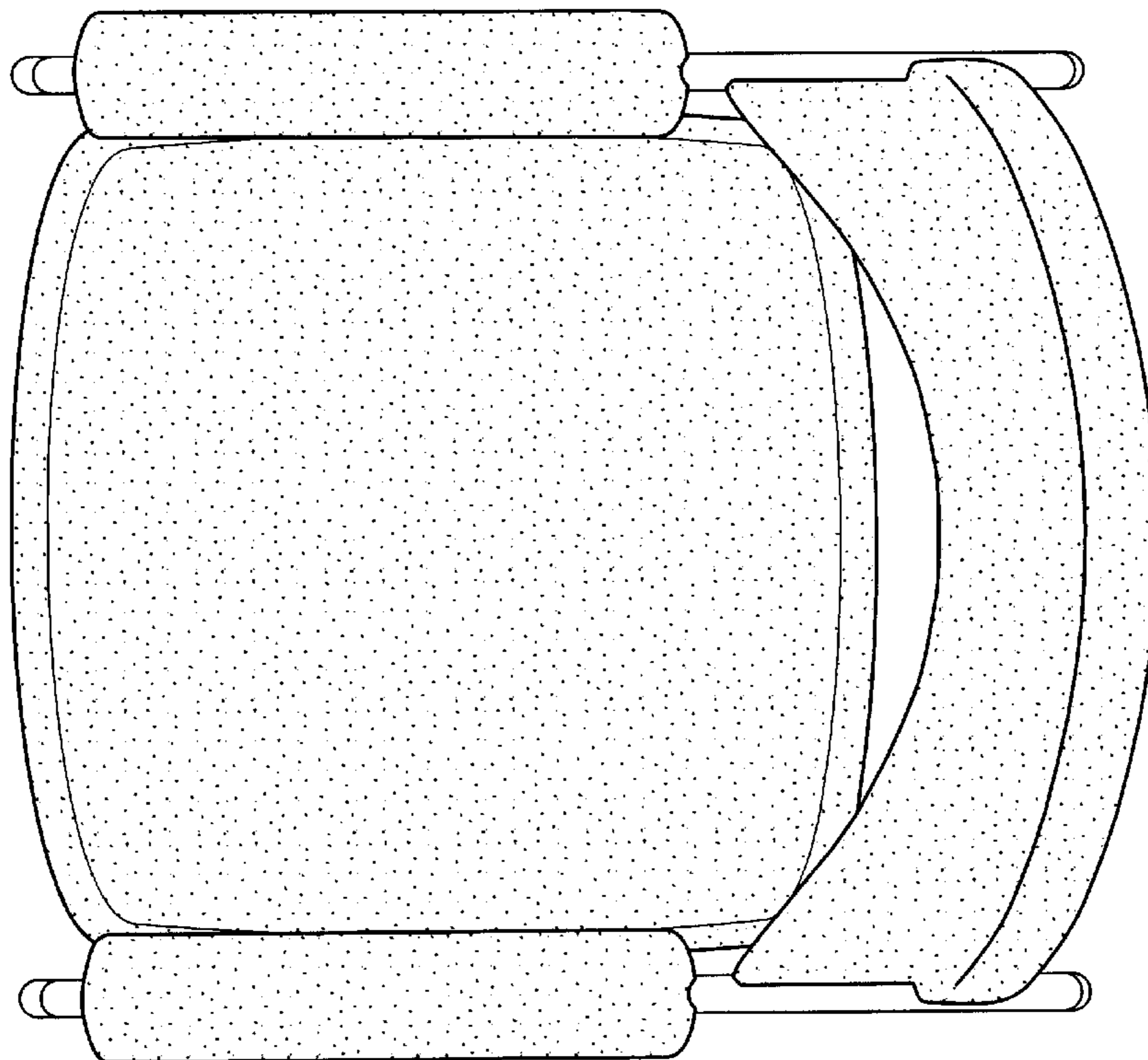


Fig. 12