



US00D519291S

(12) **United States Design Patent**
Higgs et al.

(10) **Patent No.:** **US D519,291 S**

(45) **Date of Patent:** **** Apr. 25, 2006**

(54) **BATH CHAIR**

(76) Inventors: **Paul E. Higgs**, 6 Glen Rd., Mt. Lakes,
NJ (US) 07046; **Daniel C. Notarnicola**,
180 Borden Rd., Middletown, NJ (US)
07748

(**) Term: **14 Years**

(21) Appl. No.: **29/191,482**

(22) Filed: **Oct. 8, 2003**

(51) **LOC (8) Cl.** **06-01**

(52) **U.S. Cl.** **D6/367**

(58) **Field of Classification Search** D6/334,
D6/335, 367, 368, 374, 375, 377, 380, 500-502;
D23/303, 304; 297/183.1, 239, 344.18, 445.1,
297/446.1, 440.1, 483.7; 4/578.1, 559, 562.1,
4/579

See application file for complete search history.

(56) **References Cited**

U.S. PATENT DOCUMENTS

D347,526	S	*	6/1994	Hamilton	D6/335
5,335,377	A	*	8/1994	Masyada et al.	4/578.1
D350,238	S	*	9/1994	Ward	D6/335
D355,985	S	*	3/1995	Karten et al.	D6/374
5,536,068	A		7/1996	Valentor et al.		
D375,638	S	*	11/1996	Dhanapal et al.	D6/377

D411,054	S	*	6/1999	Williams	D6/367
6,105,183	A	*	8/2000	Bly	4/579
D439,429	S	*	3/2001	Higgs et al.	D6/368
D478,750	S	*	8/2003	Gilbert et al.	D6/500
D479,051	S	*	9/2003	Darst et al.	D6/335
2003/0102700	A1	*	6/2003	Lin	297/344.18
2004/0051365	A1	*	3/2004	Darst et al.	297/440.1

* cited by examiner

Primary Examiner—Mimosa De

(74) *Attorney, Agent, or Firm*—McCarter & English, LLP

(57) **CLAIM**

The ornamental design for the bath chair, as shown and described.

DESCRIPTION

FIG. 1 is a front perspective view of a bath chair showing our new design;

FIG. 2 is a top plan view thereof;

FIG. 3 is bottom plan view thereof;

FIG. 4 is a right side elevational view thereof;

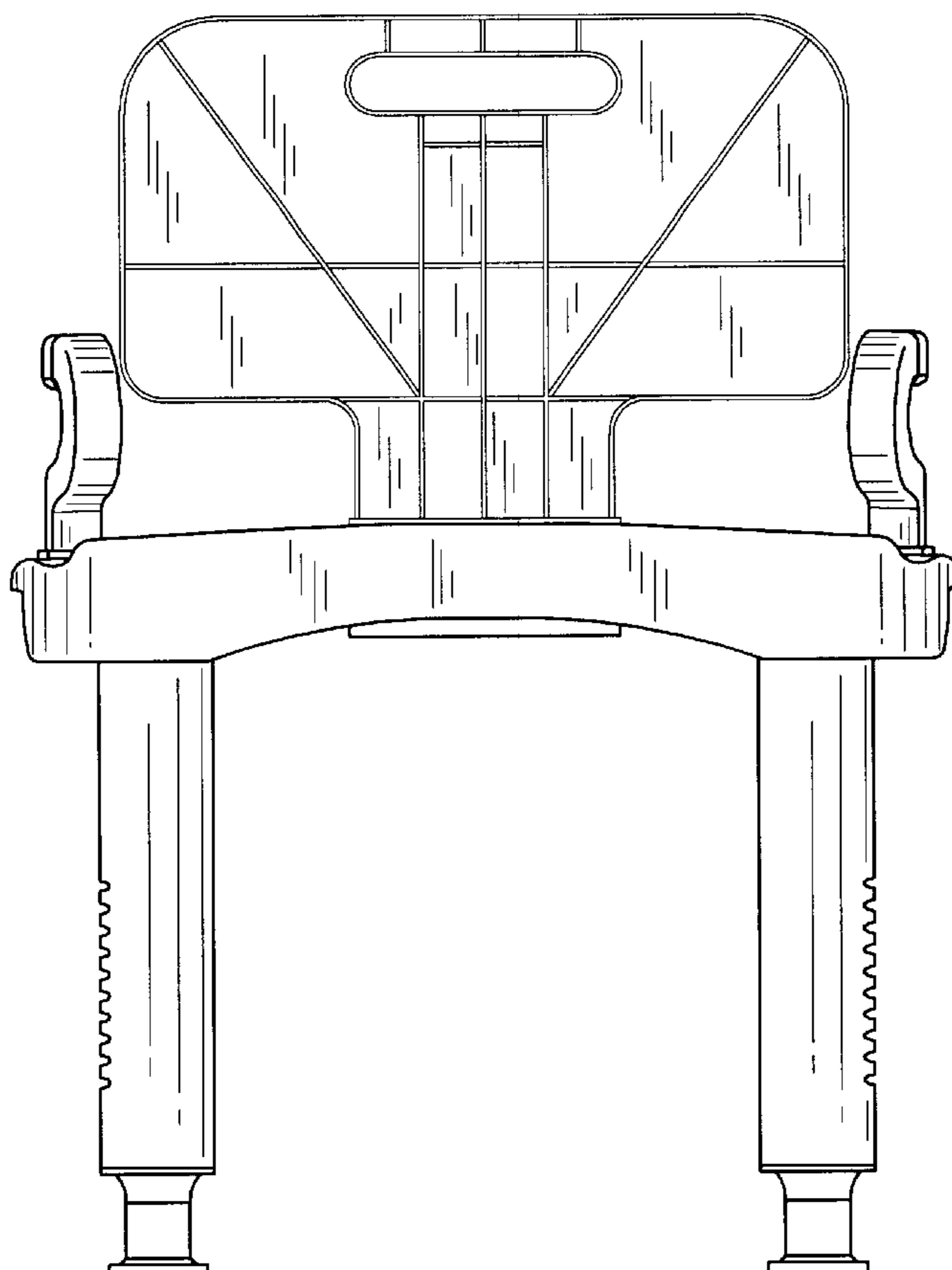
FIG. 5 is a left side elevational view thereof;

FIG. 6 is a front elevational view thereof;

FIG. 7 is a rear elevational view thereof; and,

FIG. 8 is an exploded perspective view of an adjustable leg of the bath chair shown in FIGS. 1-7.

1 Claim, 7 Drawing Sheets



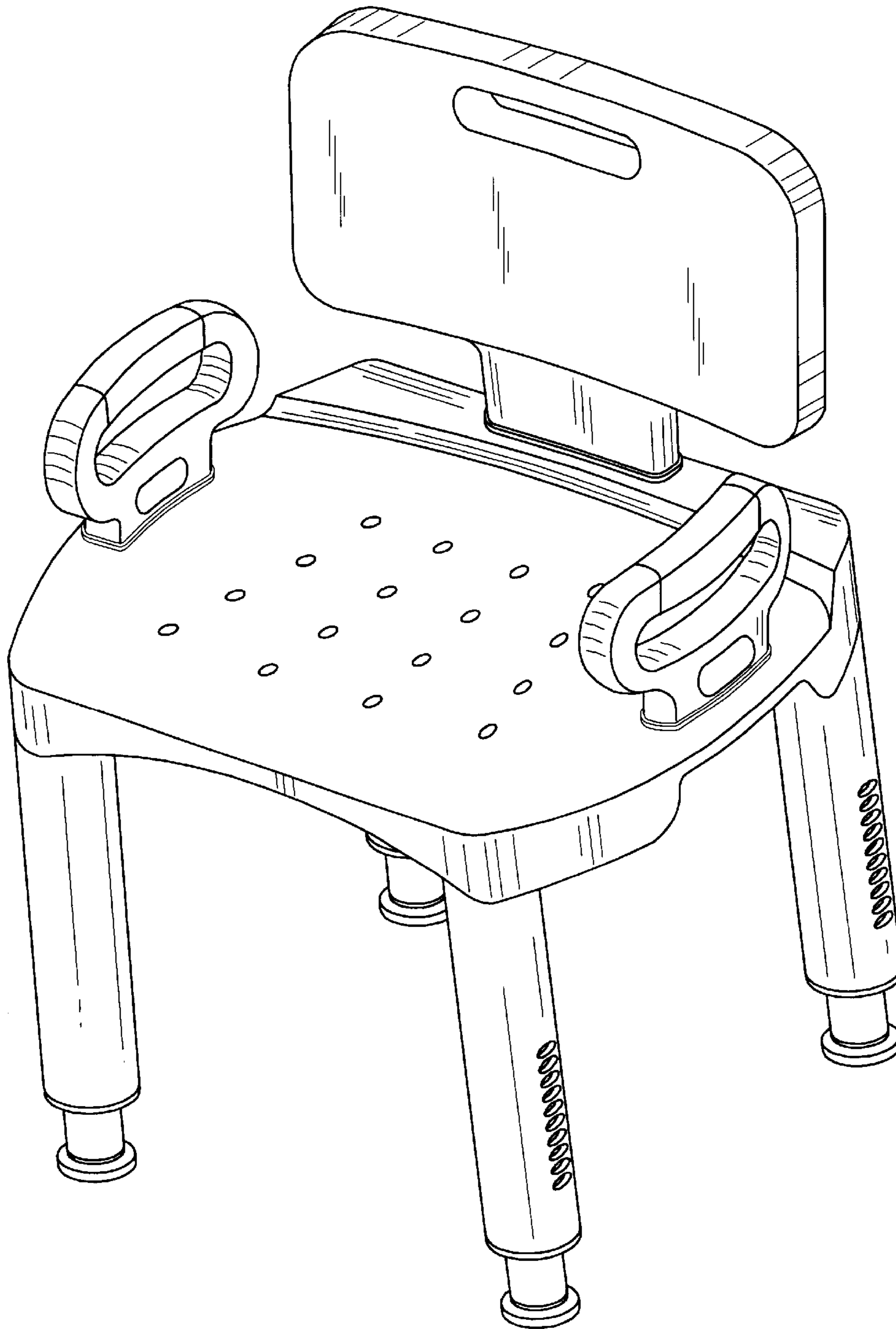


FIG. 1

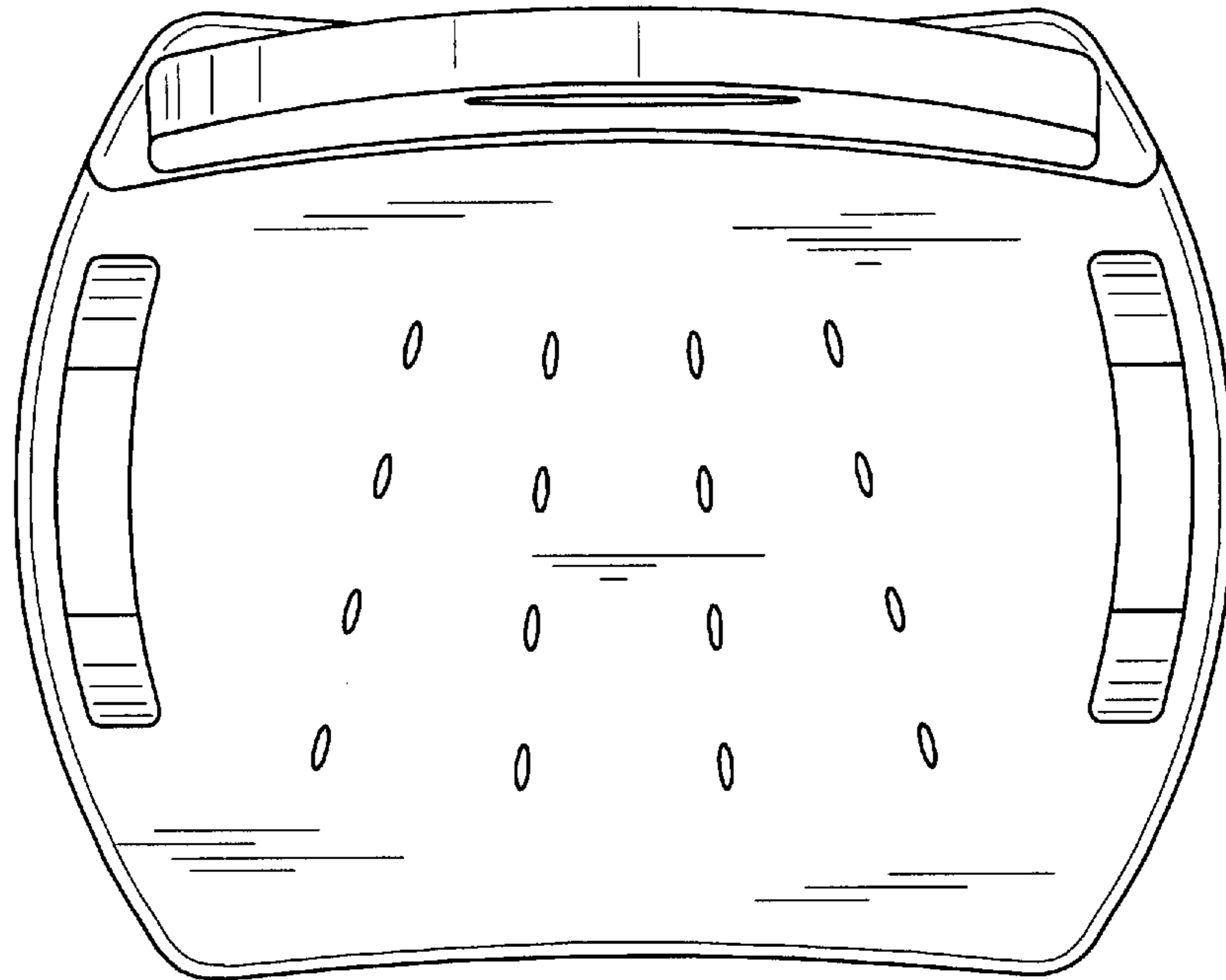


FIG. 2

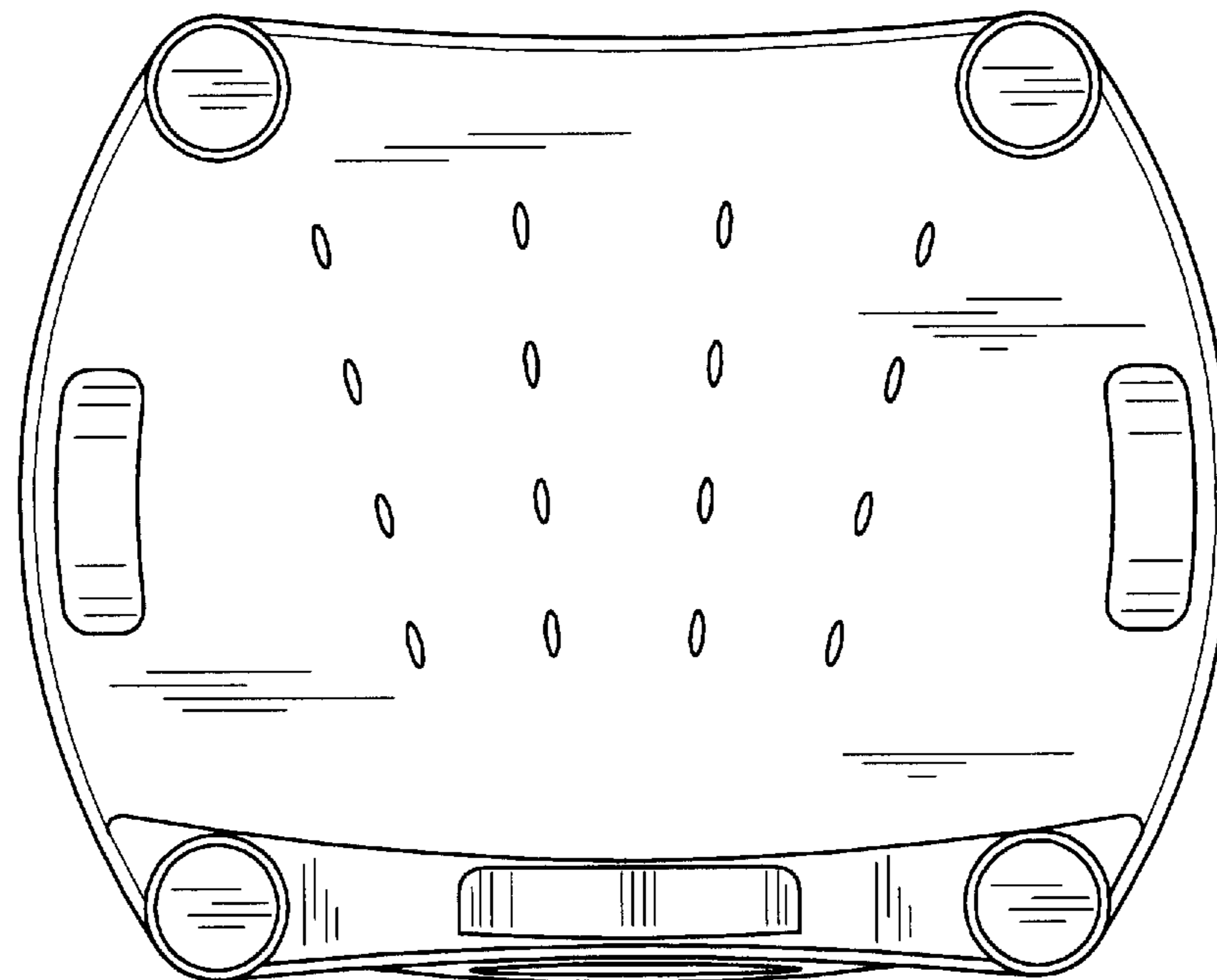


FIG. 3

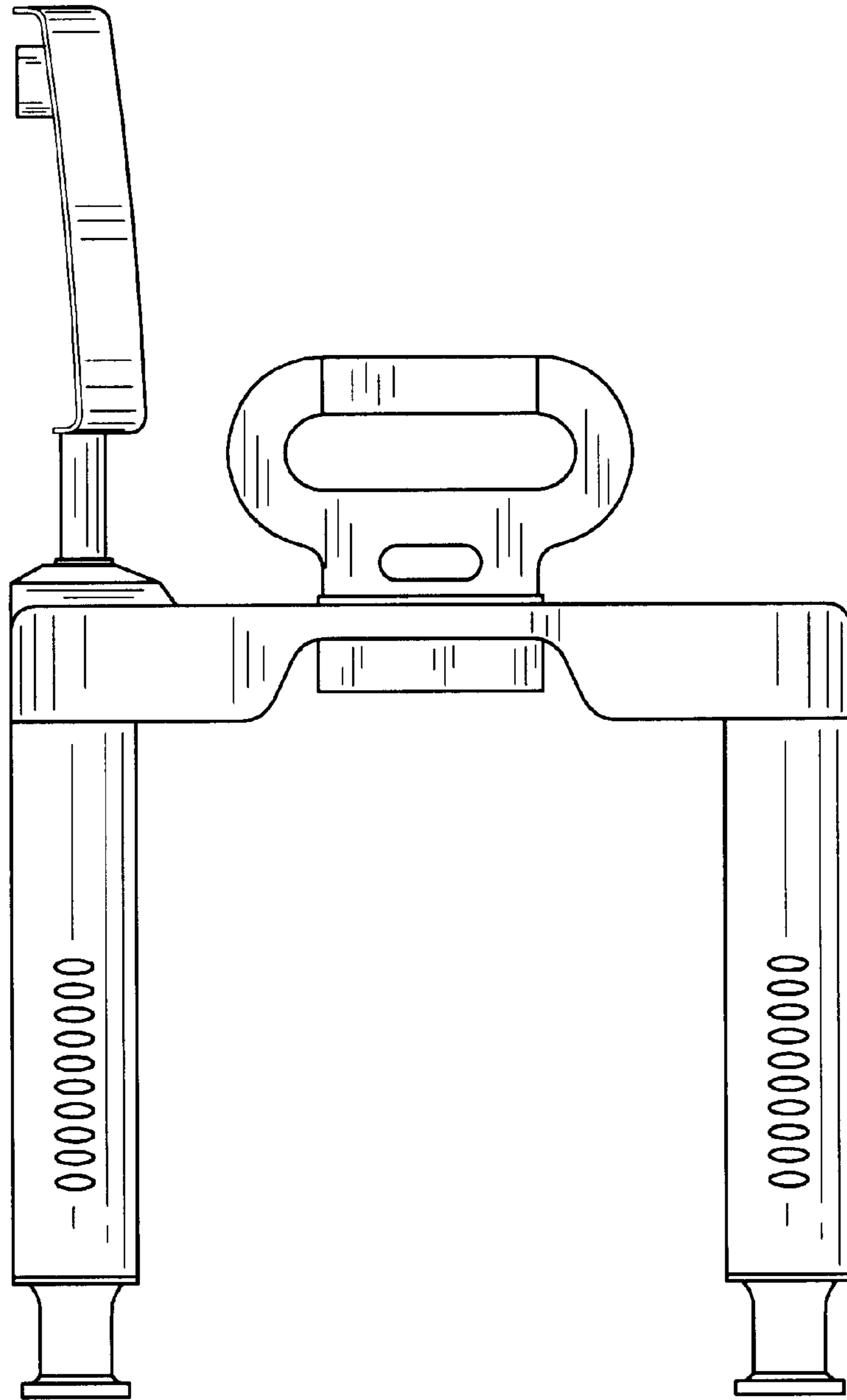


FIG. 4

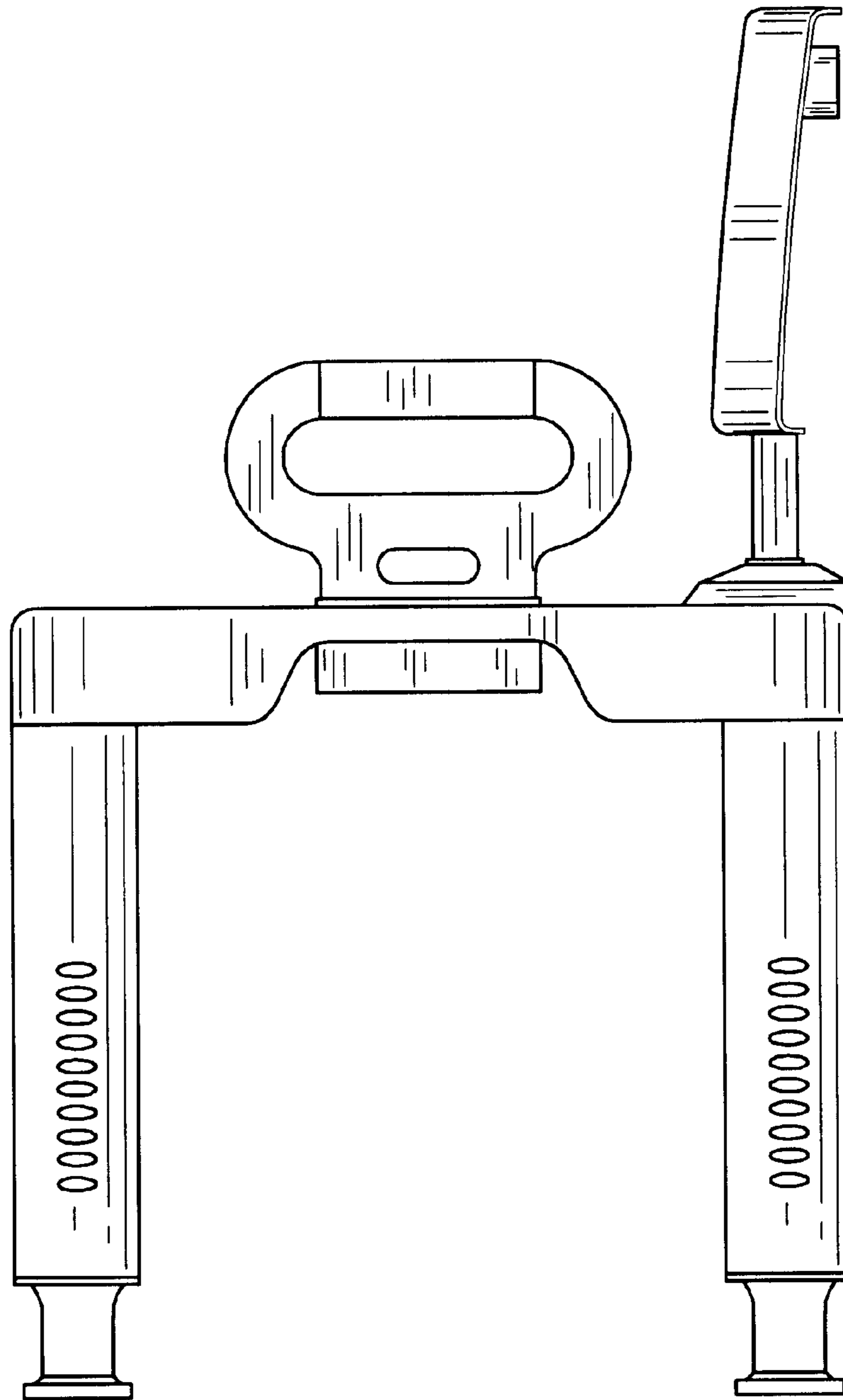


FIG. 5

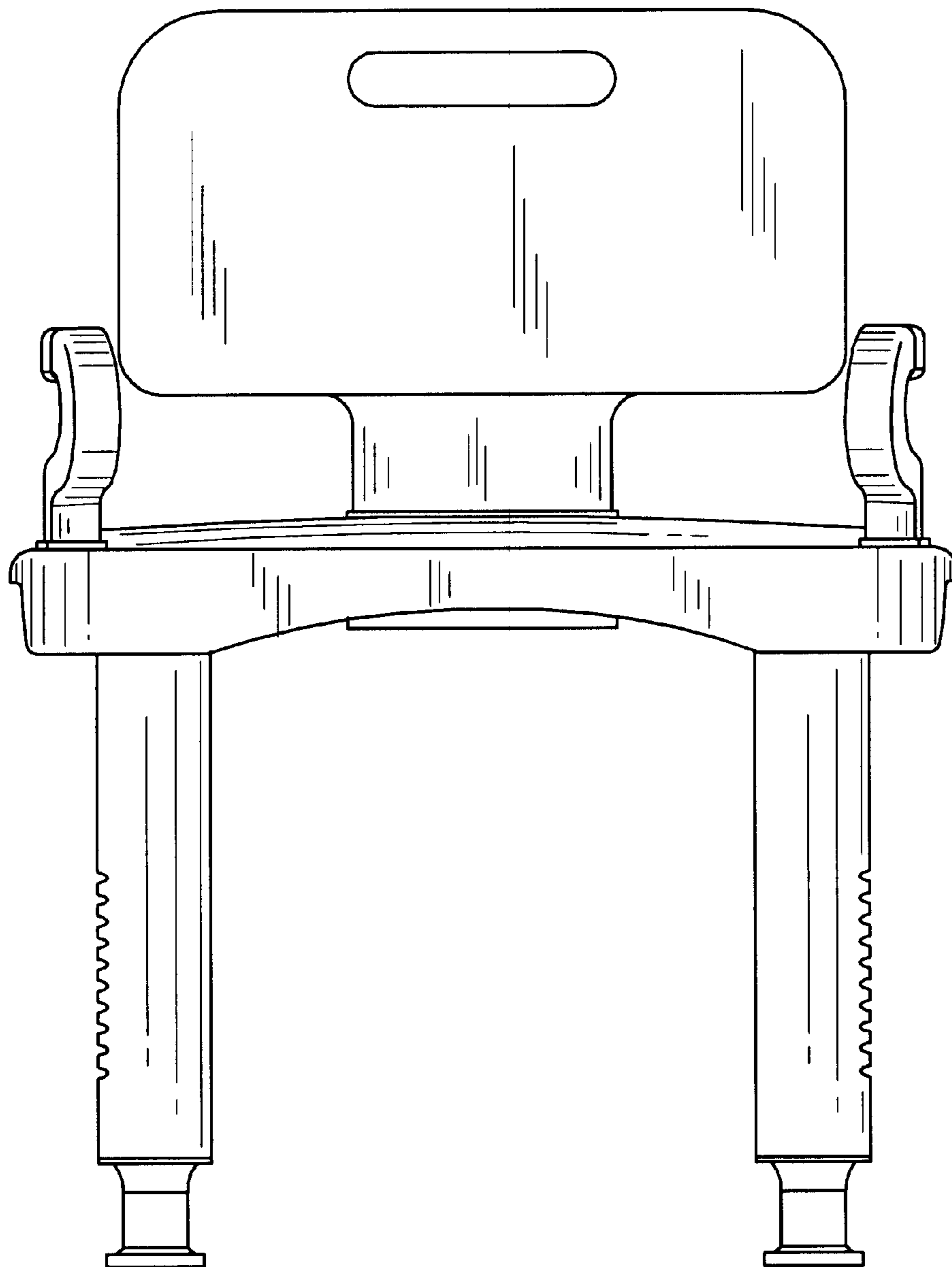


FIG. 6

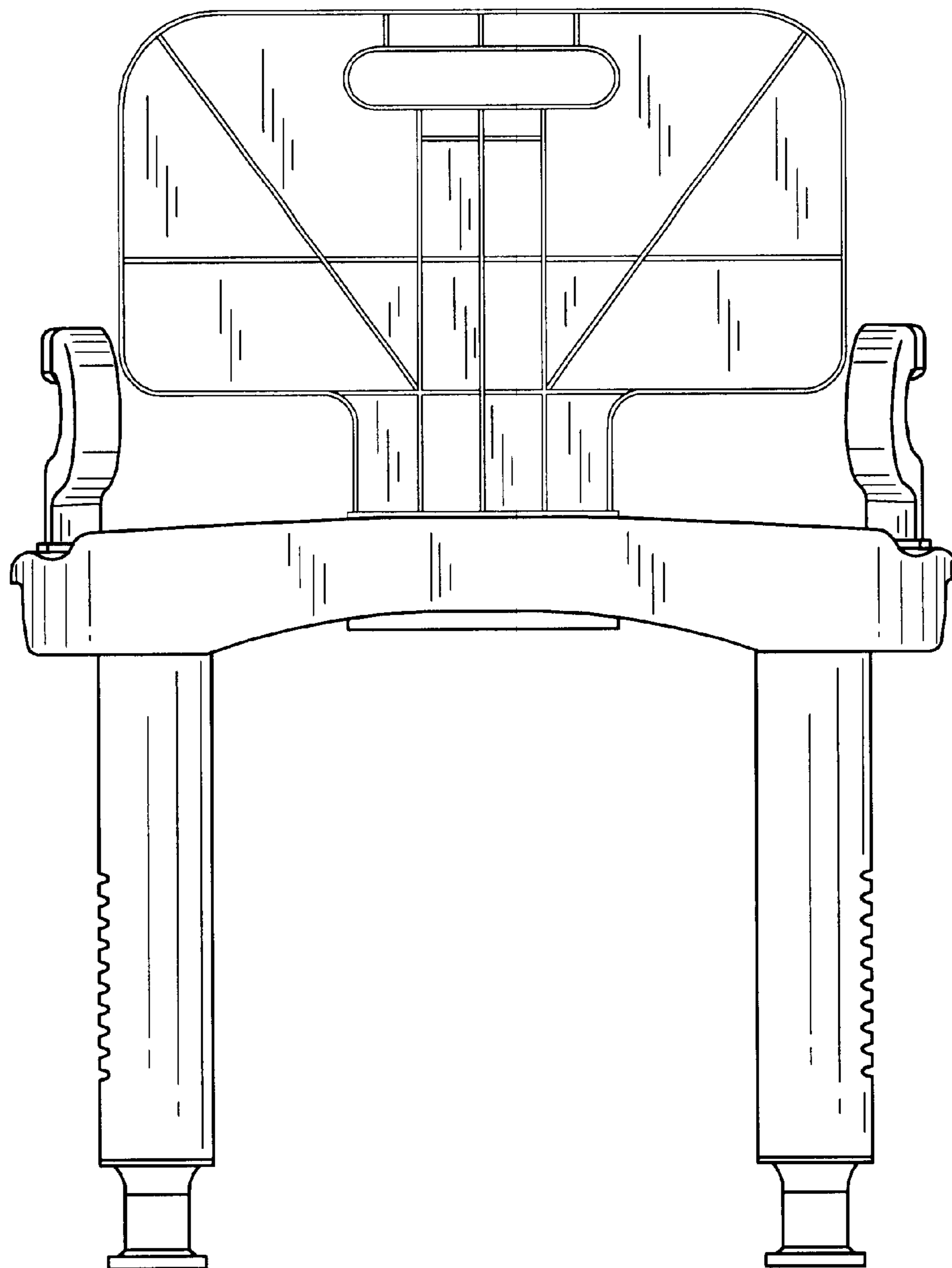


FIG. 7

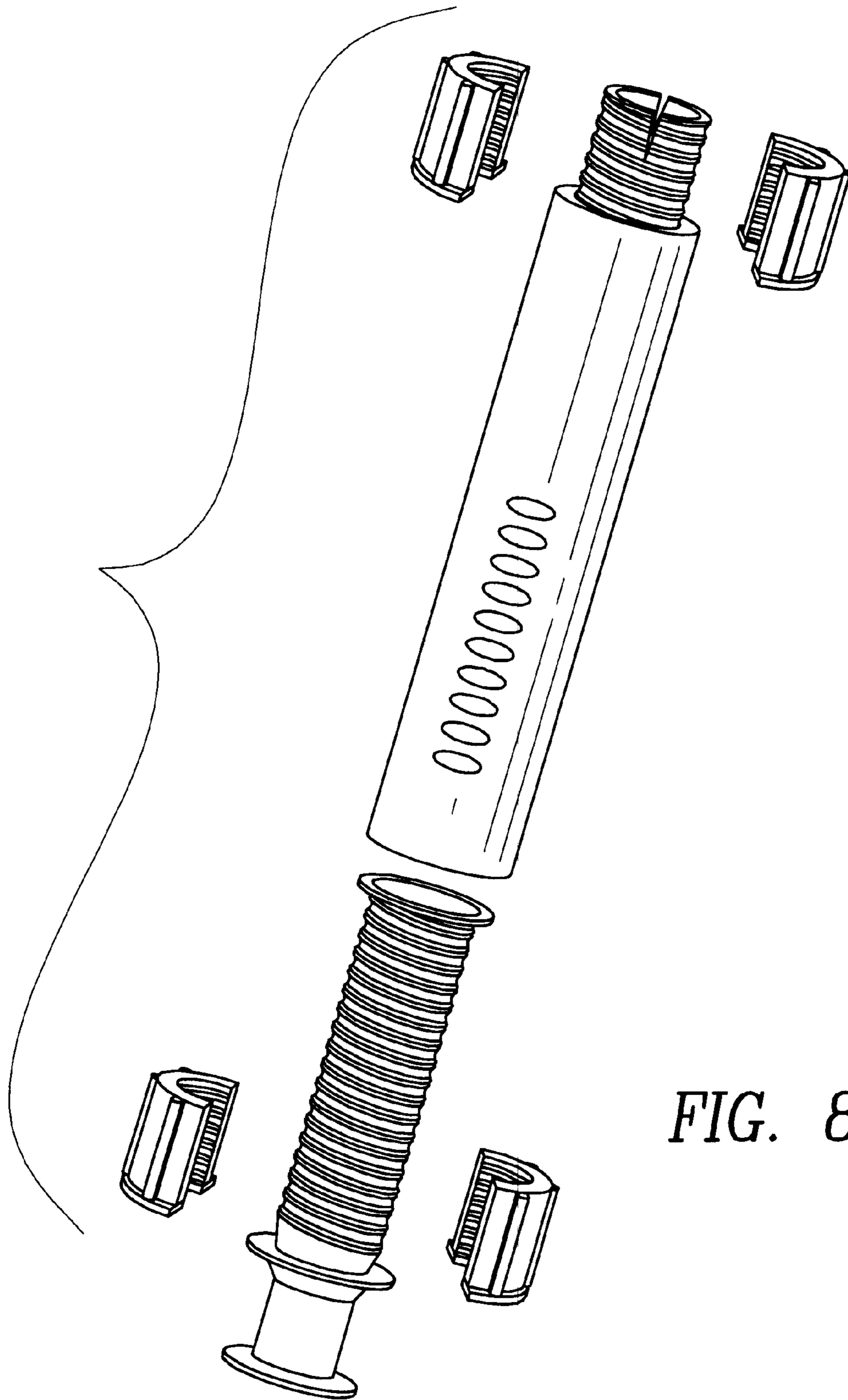


FIG. 8