



US00D519282S

(12) **United States Design Patent**
Clark et al.

(10) **Patent No.:** **US D519,282 S**
(45) **Date of Patent:** **** Apr. 25, 2006**

(54) **BRUSH**

(76) Inventors: **Keith E. Clark**, 9608 Rodeo Dr.,
Irving, TX (US) 75063; **Marianne Staffileno**, 2830 Woodhollow Ct.,
Highland Village, TX (US) 75077

(**) Term: **14 Years**

(21) Appl. No.: **29/225,723**

(22) Filed: **Mar. 21, 2005**

(51) **LOC (8) Cl.** **04-04**

(52) **U.S. Cl.** **D4/137; D32/52**

(58) **Field of Classification Search** D4/120,
D4/130, 137, 138; D32/42, 52; 15/114, 209.1,
15/210.1, 229.11, 229.13, 244.1
See application file for complete search history.

(56) **References Cited**

U.S. PATENT DOCUMENTS

2,006,234 A 6/1935 Cosby
2,017,400 A 10/1935 Hoyer
2,629,890 A 3/1953 Giovanna
3,056,987 A * 10/1962 Lieberman et al. 15/210.1

D256,190 S * 8/1980 Janssen D4/137
5,843,005 A 12/1998 Chubinsky
6,233,771 B1 5/2001 Hortel et al.
6,485,212 B1 * 11/2002 Bomgaars et al. 15/244.1 X
D480,878 S 10/2003 Mastroianni
2004/0117935 A1 * 6/2004 Cavalheiro 15/244.1

* cited by examiner

Primary Examiner—Alan P. Douglas

Assistant Examiner—Lavone D. Tabor

(74) *Attorney, Agent, or Firm*—Patrick J. Glynn

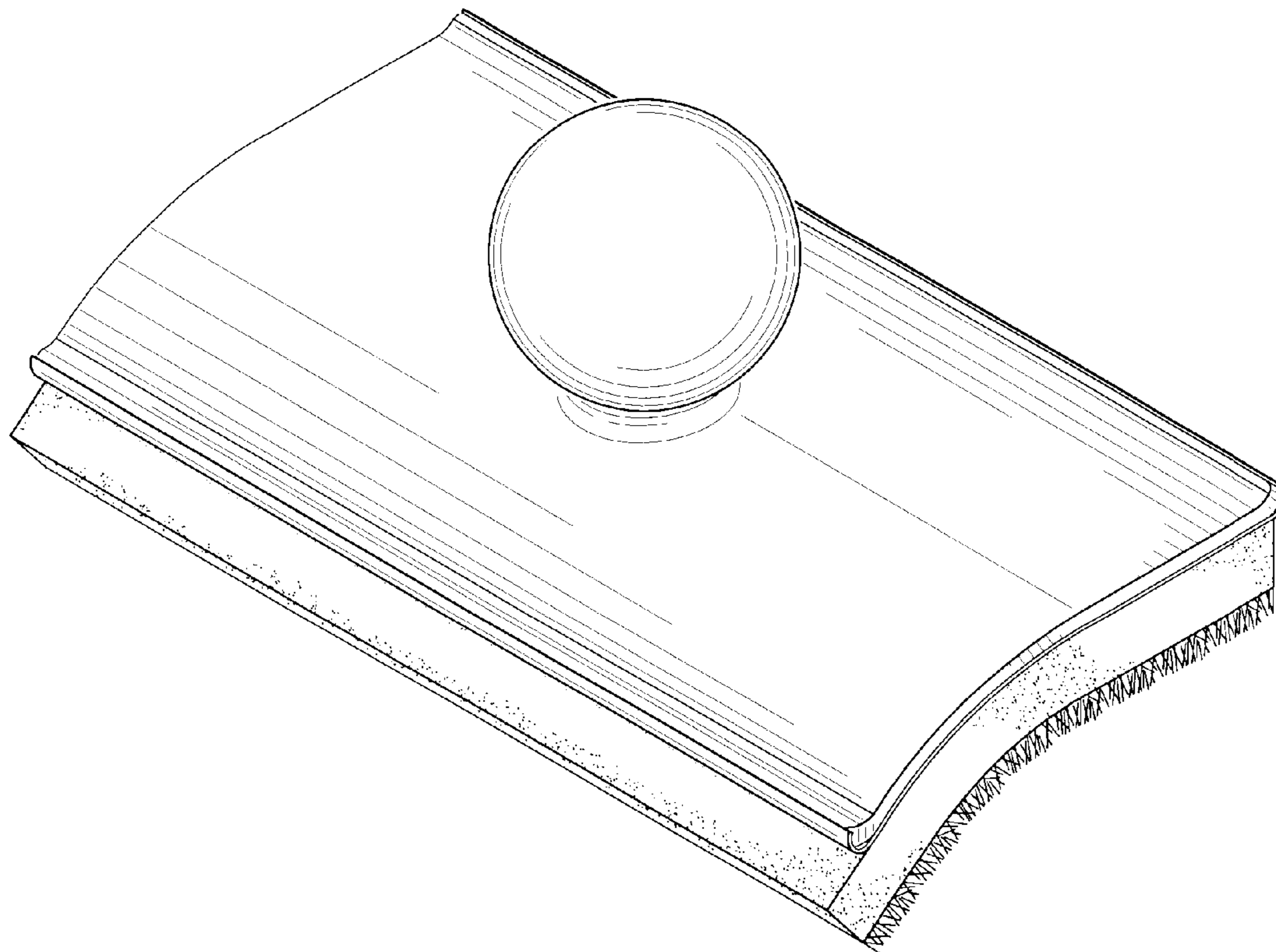
(57) **CLAIM**

The ornamental design for a brush, as shown.

DESCRIPTION

FIG. 1 is an overall perspective view of the brush;
FIG. 2 is a front elevational view thereof;
FIG. 3 is a right side elevational view thereof;
FIG. 4 is a left side elevational view thereof;
FIG. 5 is a rear elevational view thereof;
FIG. 6 is a top plan view thereof; and,
FIG. 7 is a bottom plan view thereof.

1 Claim, 3 Drawing Sheets



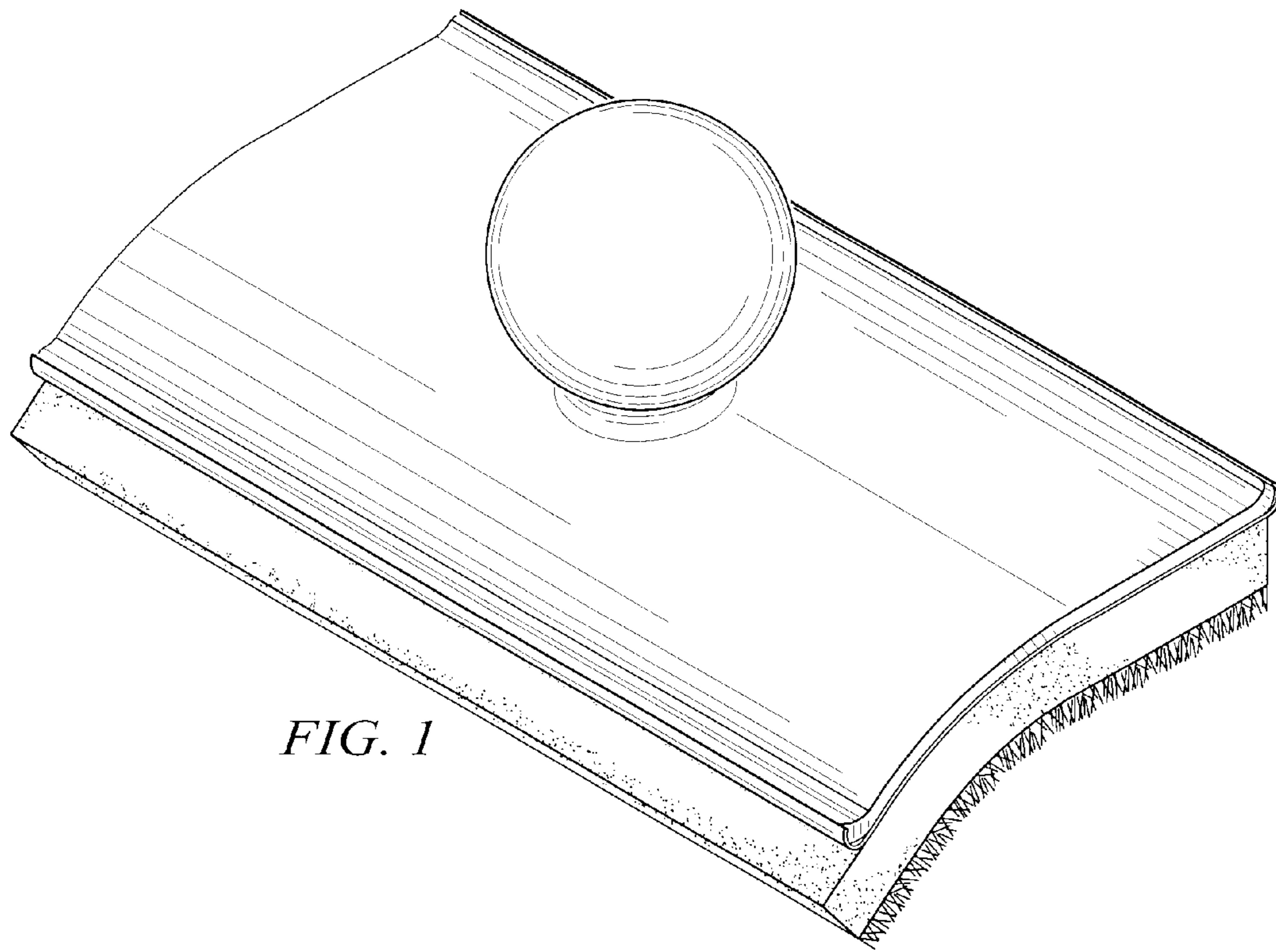


FIG. 1

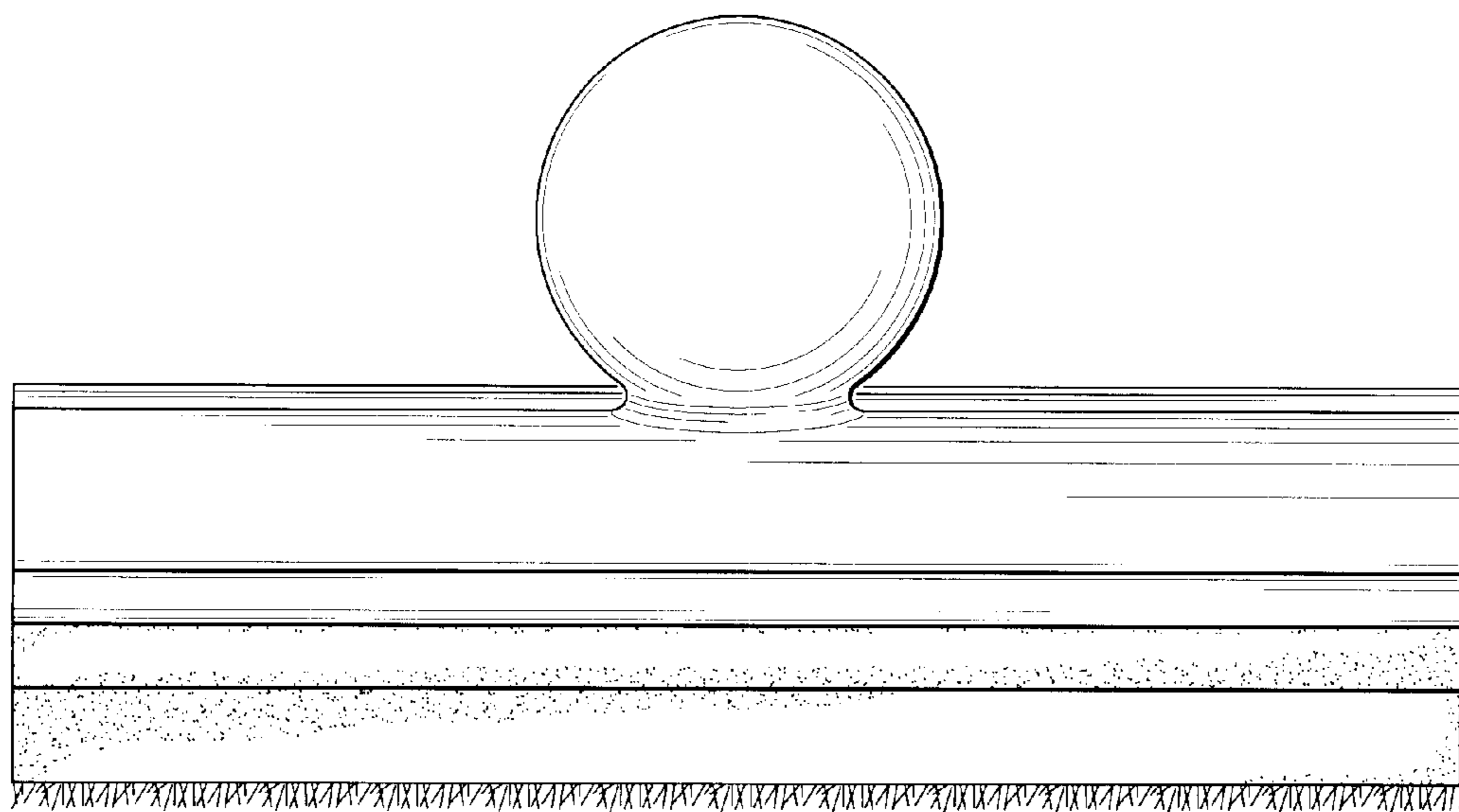
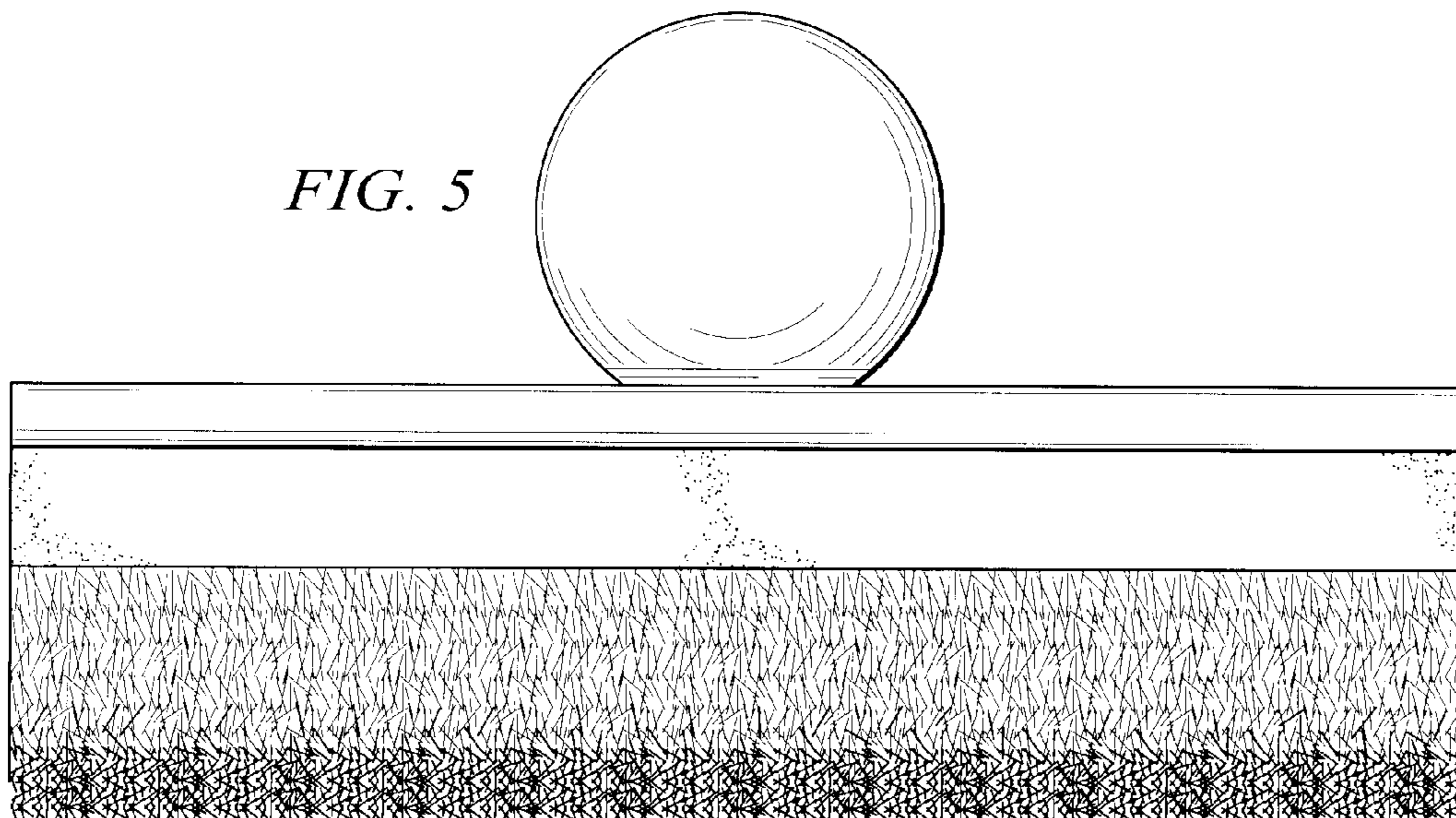
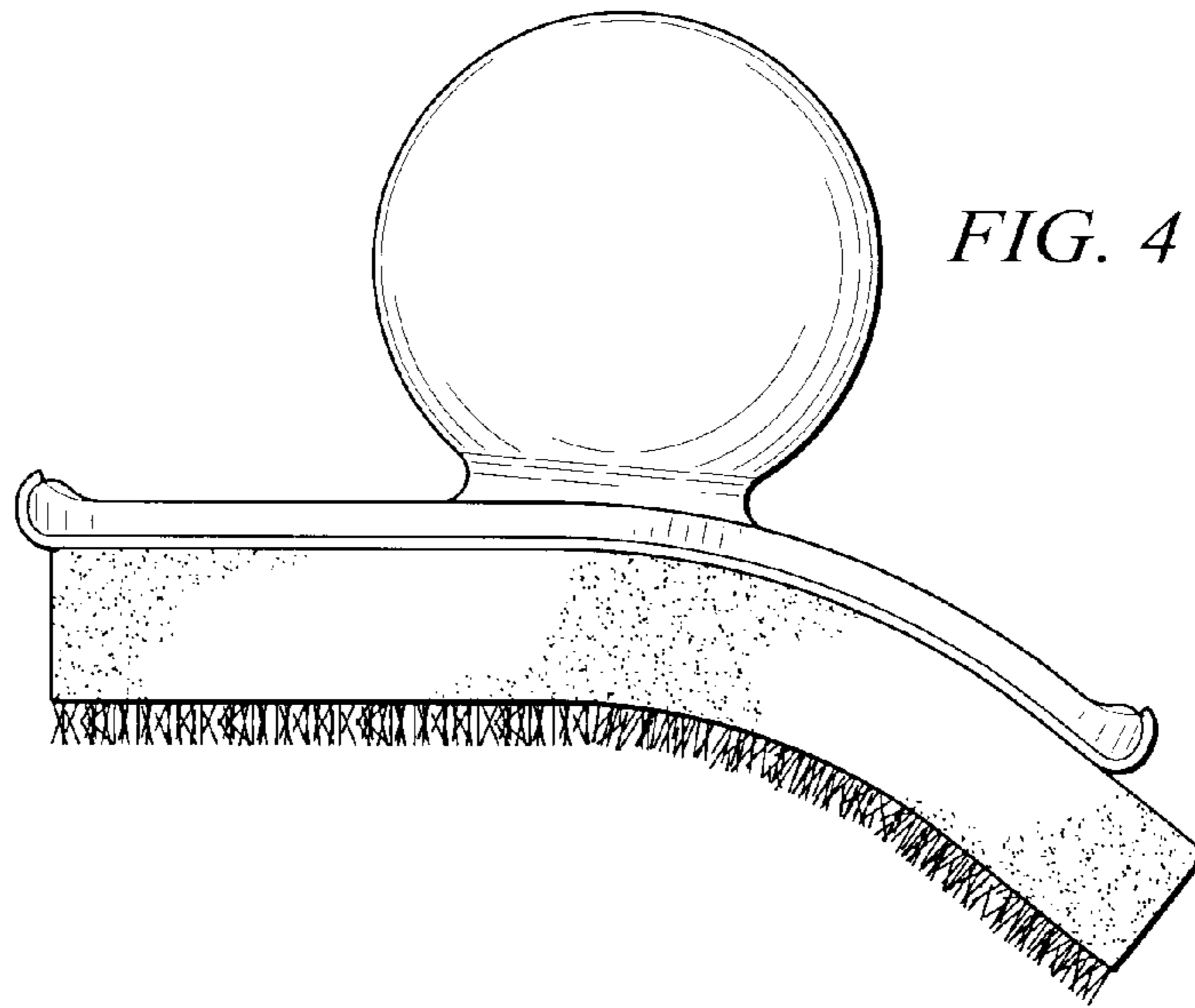
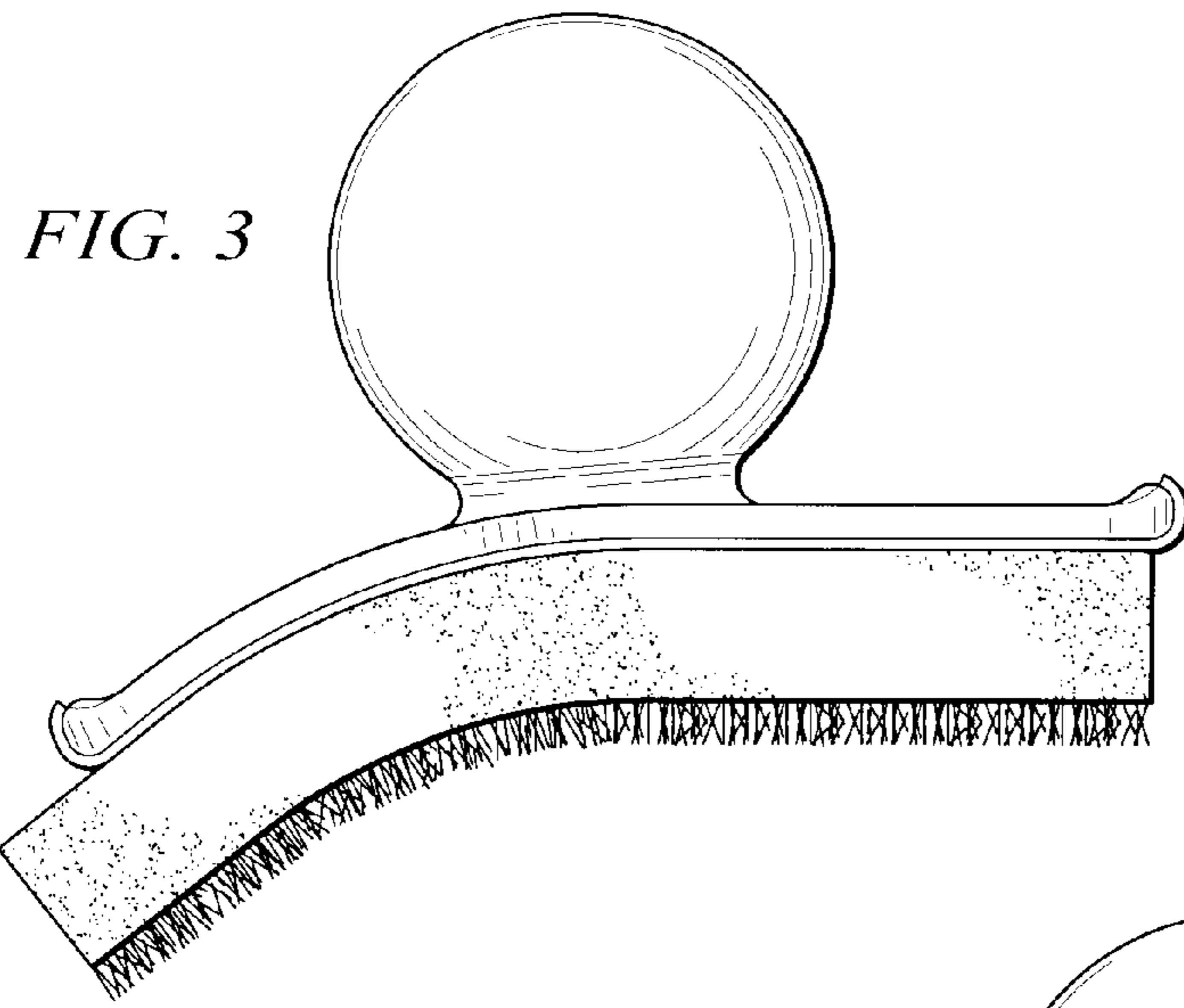


FIG. 2



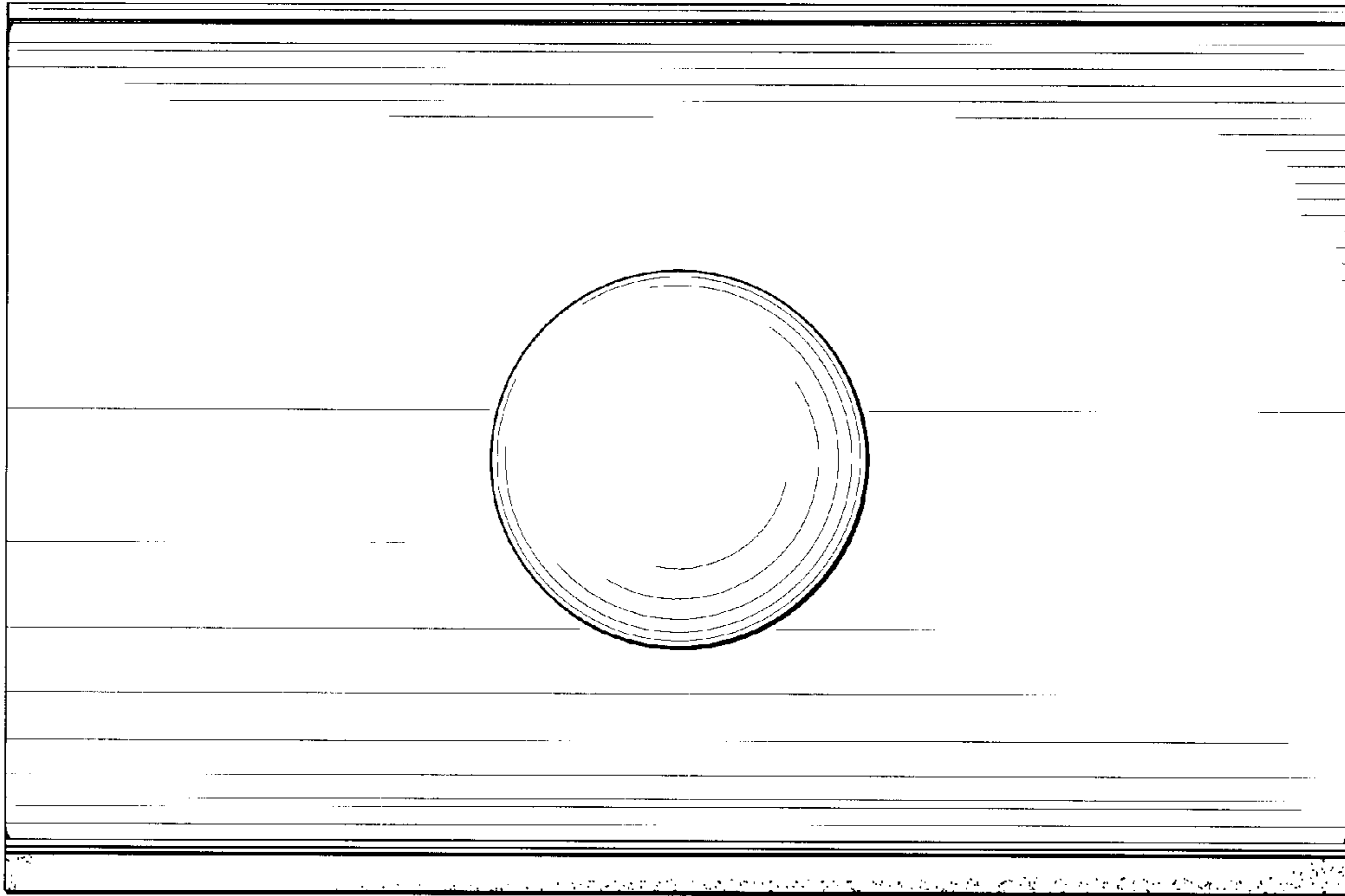


FIG. 6

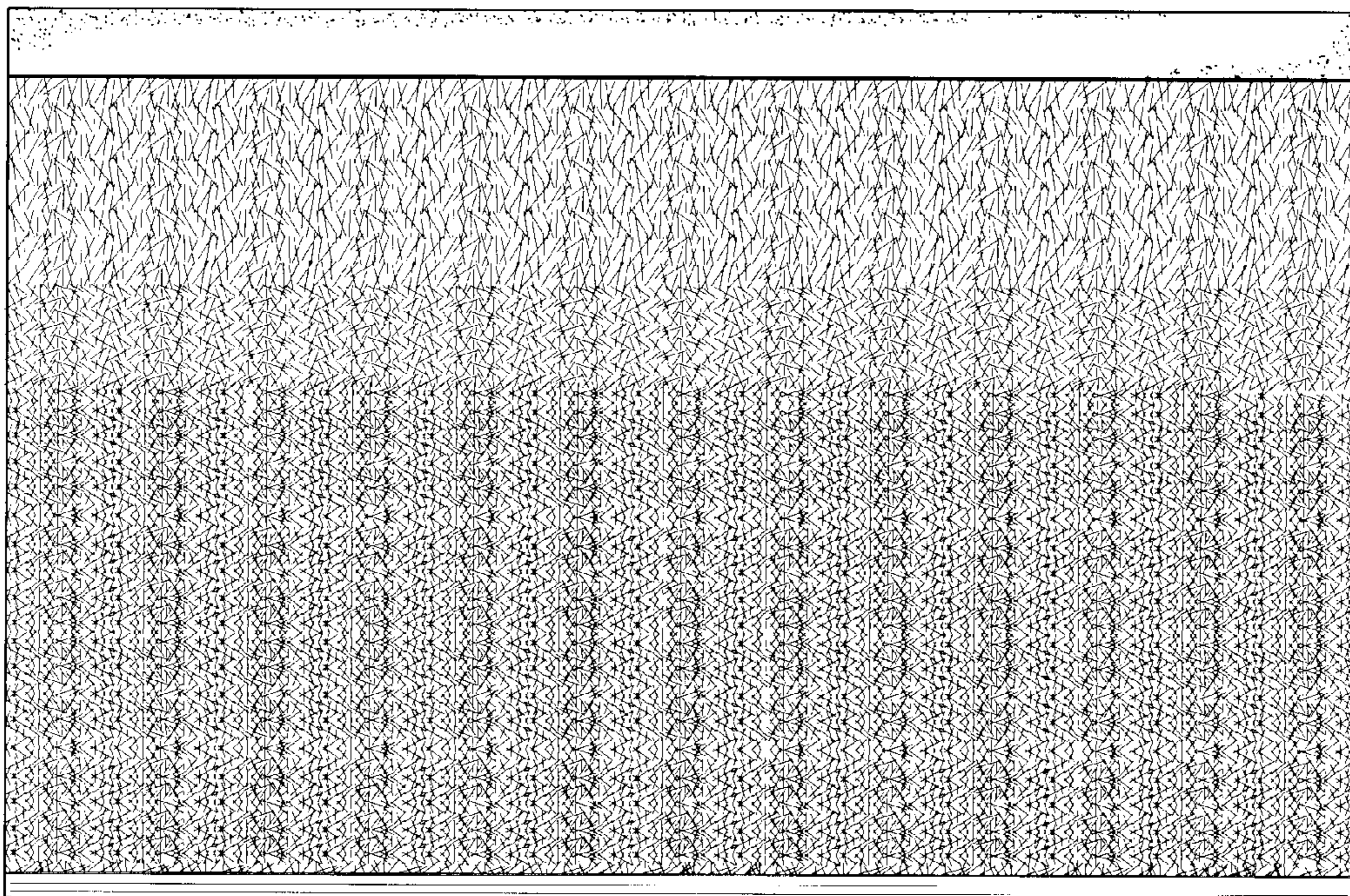


FIG. 7