



US00D519281S

(12) **United States Design Patent**  
**French**

(10) **Patent No.:** **US D519,281 S**

(45) **Date of Patent:** **\*\* Apr. 25, 2006**

(54) **CARRYING STRAP**

(75) Inventor: **John M. French**, Boise, ID (US)

(73) Assignee: **Michaels of Oregon Co.**, Oregon City, OR (US)

(\*\*) Term: **14 Years**

(21) Appl. No.: **29/205,843**

(22) Filed: **May 21, 2004**

(51) **LOC (8) Cl.** ..... **03-01**

(52) **U.S. Cl.** ..... **D3/327**

(58) **Field of Classification Search** ..... D3/318-328,  
D3/201; D2/626, 639, 640; 206/315.1; D17/20;  
190/115, 102; 150/107, 108; 224/257, 258,  
224/264, 910, 643, 150

See application file for complete search history.

(56) **References Cited**

**U.S. PATENT DOCUMENTS**

279,706 A	6/1883	Carroll	
D235,460 S	* 6/1975	Lovelace et al.	D3/327
D247,931 S	* 5/1978	Naysmith	D29/122
4,550,869 A	11/1985	Johnson	
4,827,578 A	5/1989	Heckerman et al.	
D302,607 S	* 8/1989	Krebs et al.	D29/122
4,924,557 A	5/1990	Heckerman et al.	
4,973,481 A	11/1990	Dayley et al.	
4,976,388 A	12/1990	Coontz	
5,099,546 A	3/1992	Mackal	
D325,470 S	* 4/1992	Harms	D3/327
5,143,266 A	9/1992	Heckerman et al.	
D337,197 S	* 7/1993	Krutsch et al.	D3/327
5,450,995 A	9/1995	Perrin	
5,507,422 A	4/1996	Shields	
5,544,795 A	8/1996	Perrin	
5,607,092 A	3/1997	Alexander	
5,615,811 A	4/1997	Bell et al.	
5,632,429 A	5/1997	Cantwell	
5,695,102 A	12/1997	Jackson	
D408,435 S	* 4/1999	Gettings	D17/20
D409,648 S	* 5/1999	Gettings	D17/20
5,915,939 A	6/1999	French	
D415,785 S	* 10/1999	Gettings	D17/20
D423,782 S	* 5/2000	Ammerman et al.	D3/327

6,220,492 B1	* 4/2001	Huang	224/264
6,279,795 B1	8/2001	Pierzina	
D448,170 S	* 9/2001	Ammerman et al.	D3/327
2002/0134805 A1	9/2002	Preiss	

\* cited by examiner

*Primary Examiner*—Sandra S. Snapp

(74) *Attorney, Agent, or Firm*—Stoel Rives LLP

(57) **CLAIM**

I claim the ornamental design for a carrying strap, as shown and described.

**DESCRIPTION**

FIG. 1 is an isometric view of a carrying strap in accordance with a first embodiment;  
 FIG. 2 is a side view of the carrying strap of FIG. 1;  
 FIG. 3 is a top view of the carrying strap of FIG. 1;  
 FIG. 4 is an end view of the carrying strap of FIG. 1;  
 FIG. 5 is a bottom view of the carrying strap of FIG. 1;  
 FIG. 6 is an isometric view of a carrying strap in accordance with a second embodiment;  
 FIG. 7 is a side view of the carrying strap of FIG. 6;  
 FIG. 8 is a top view of the carrying strap of FIG. 6;  
 FIG. 9 is a bottom view of the carrying strap of FIG. 6;  
 FIG. 10 is an isometric view of a carrying strap in accordance with a third embodiment;  
 FIG. 11 is a side view of the carrying strap of FIG. 10;  
 FIG. 12 is a top view of the carrying strap of FIG. 10;  
 FIG. 13 is an end view of the carrying strap of FIG. 10;  
 FIG. 14 is a bottom view of the carrying strap of FIG. 10;  
 FIG. 15 is an isometric view of a carrying strap in accordance with a fourth embodiment;  
 FIG. 16 is a side view of the carrying strap of FIG. 15;  
 FIG. 17 is a top view of the carrying strap of FIG. 15;  
 FIG. 18 is an end view of the carrying strap of FIG. 15;  
 FIG. 19 is a bottom view of the carrying strap of FIG. 15;  
 FIG. 20 is an isometric view of a carrying strap in accordance with a fifth embodiment;  
 FIG. 21 is a side view of the carrying strap of FIG. 20;  
 FIG. 22 is a top view of the carrying strap of FIG. 20;  
 FIG. 23 is an end view of the carrying strap of FIG. 20;  
 FIG. 24 is an end view of the carrying strap of FIG. 20.  
 In the figures, the dashed lines are illustrative of environmental features that form no part of the claimed design.

**1 Claim, 9 Drawing Sheets**

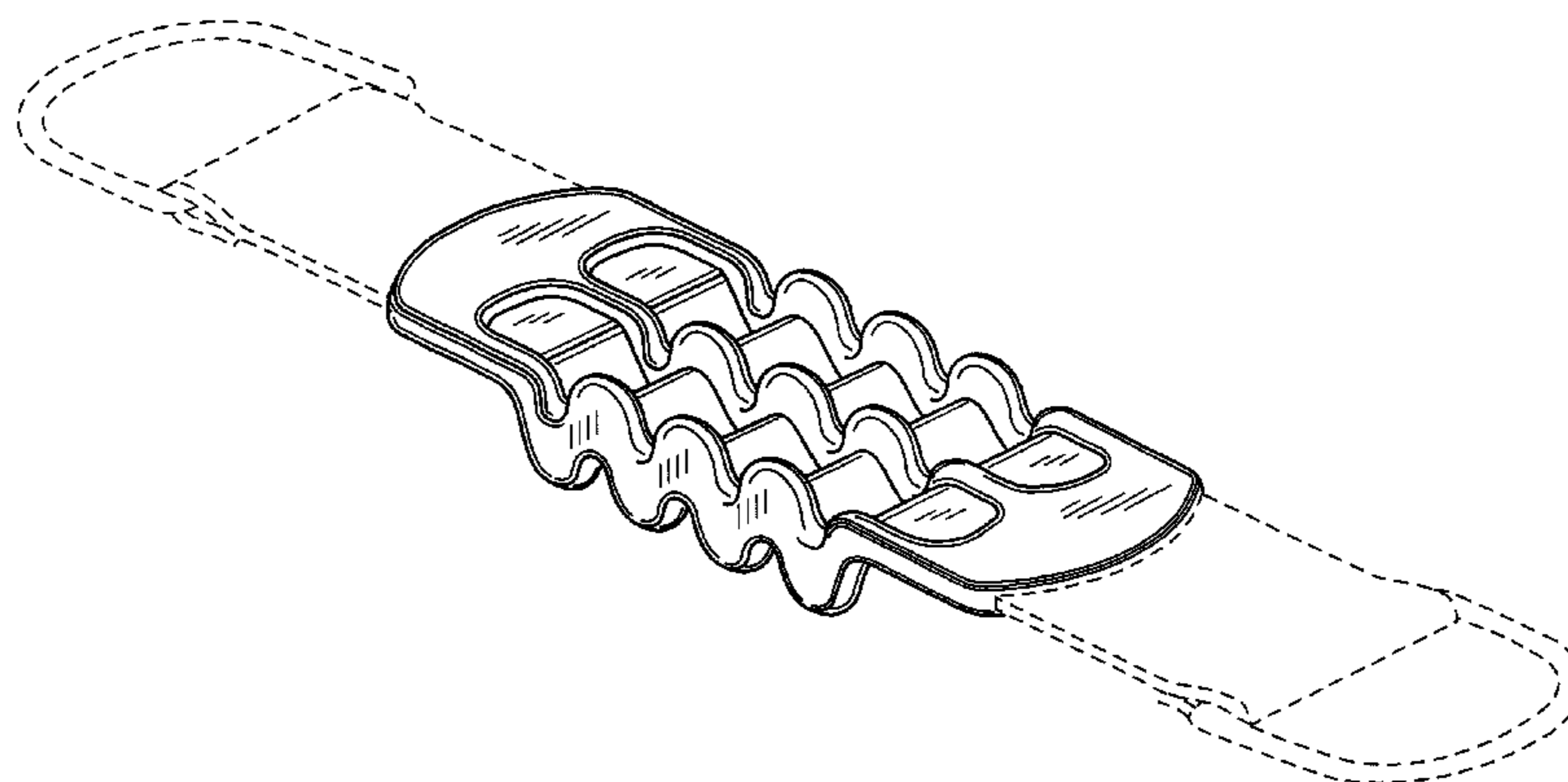
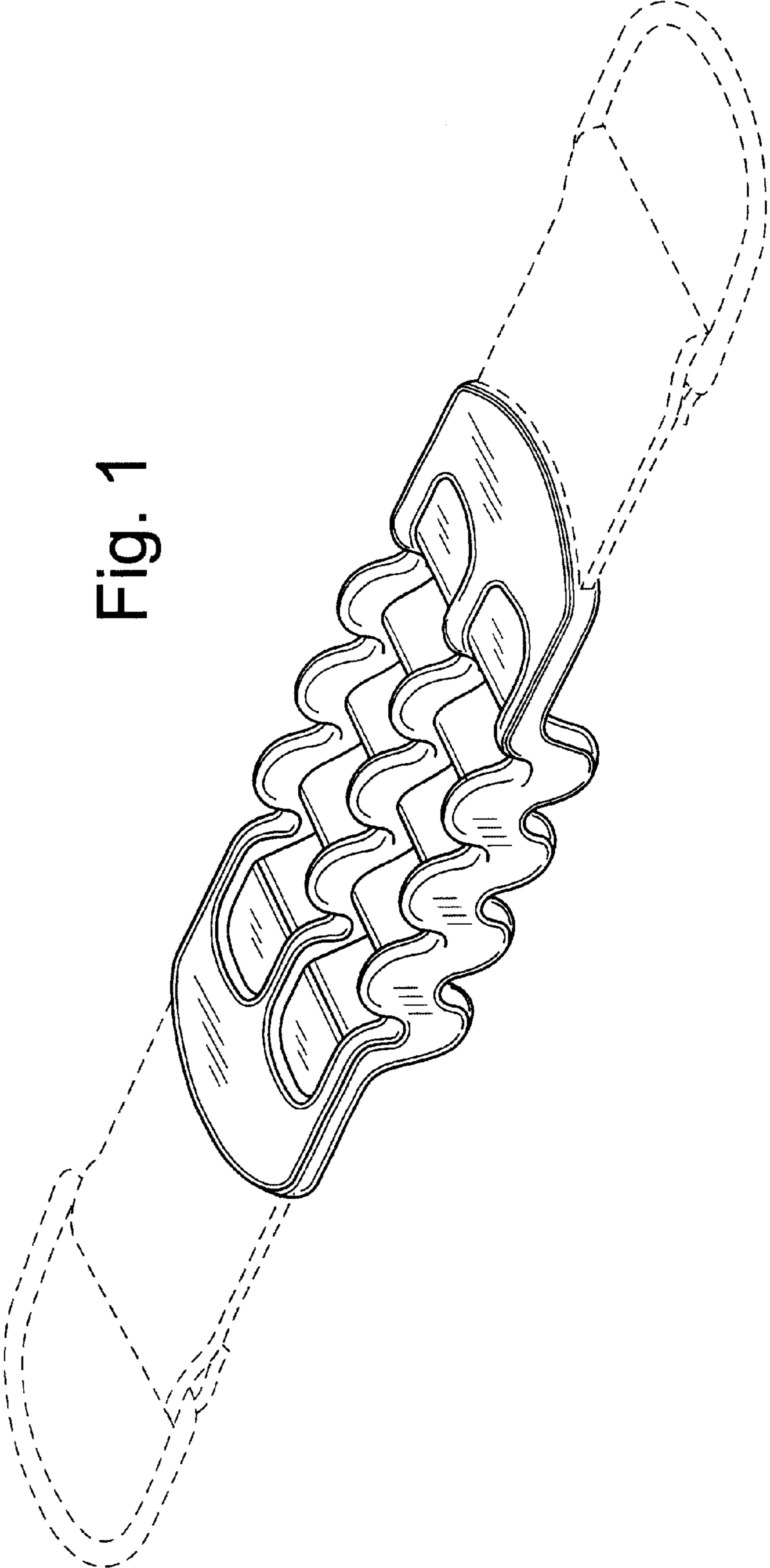


Fig. 1



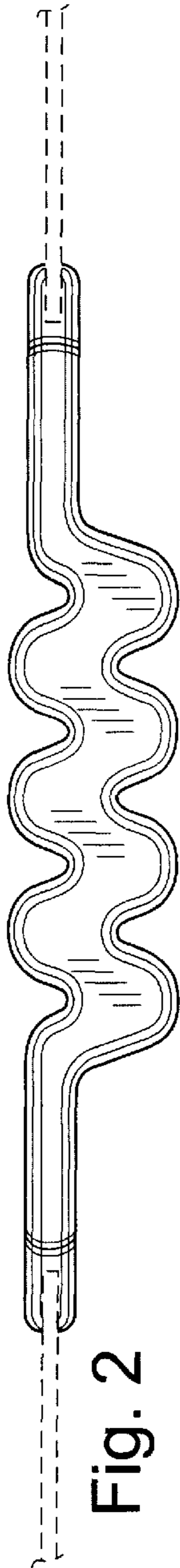


Fig. 2

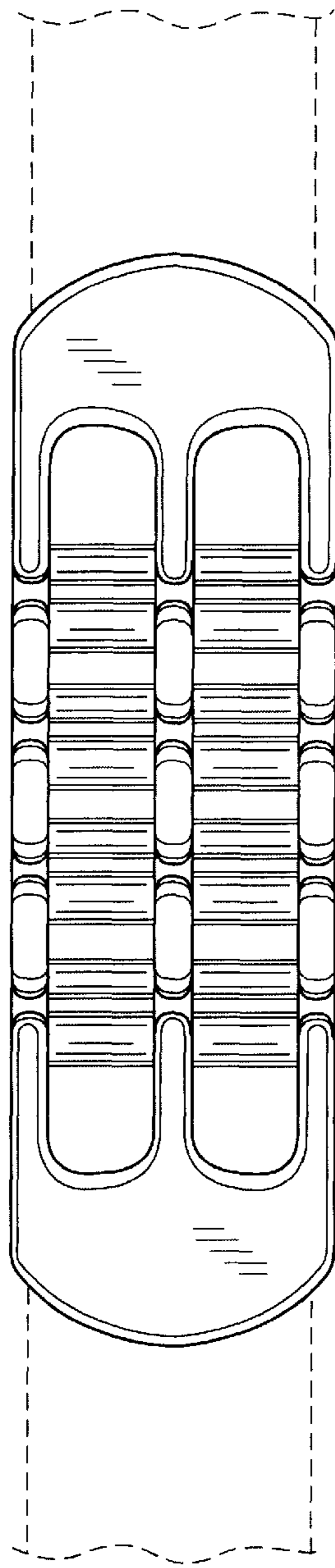


Fig. 3

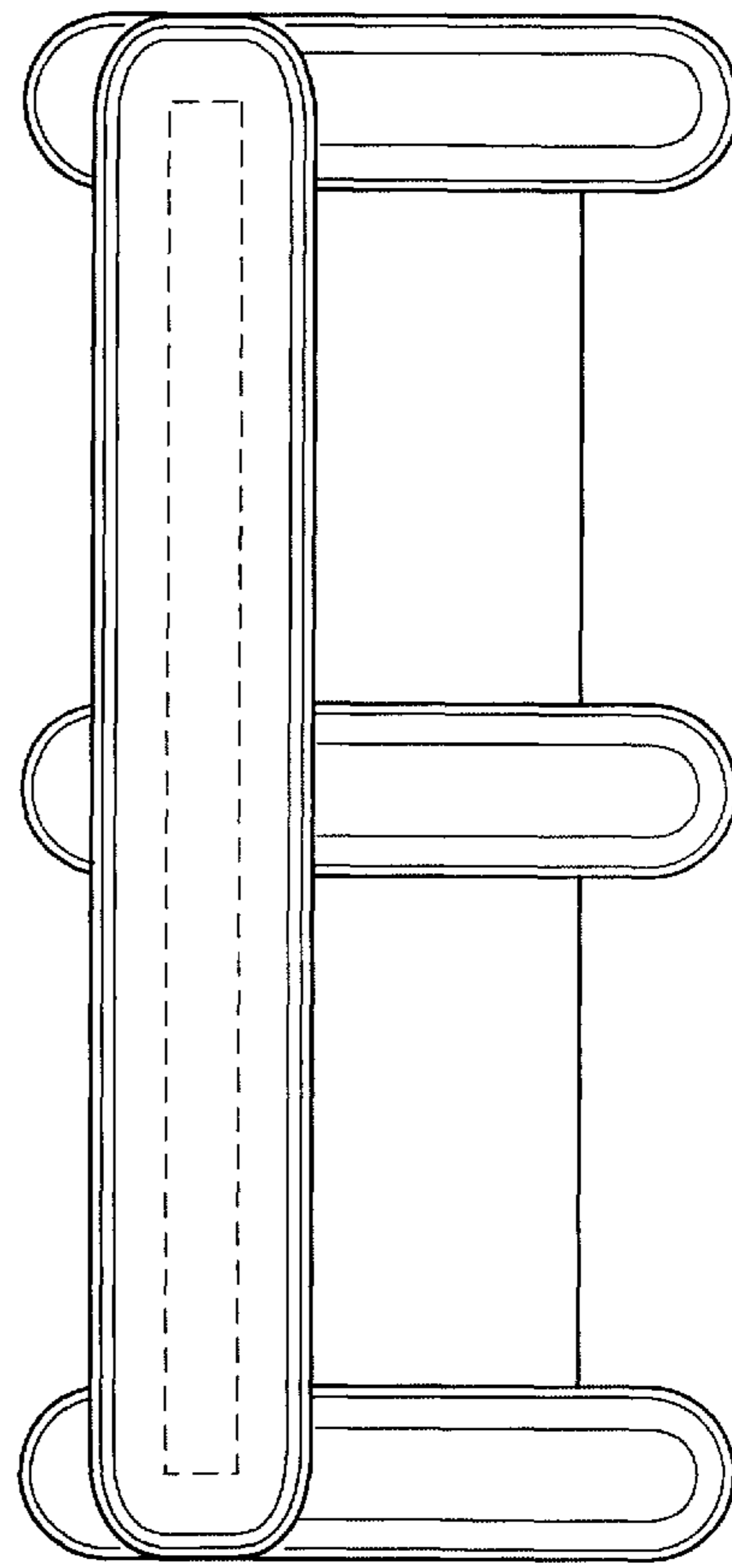


Fig. 4

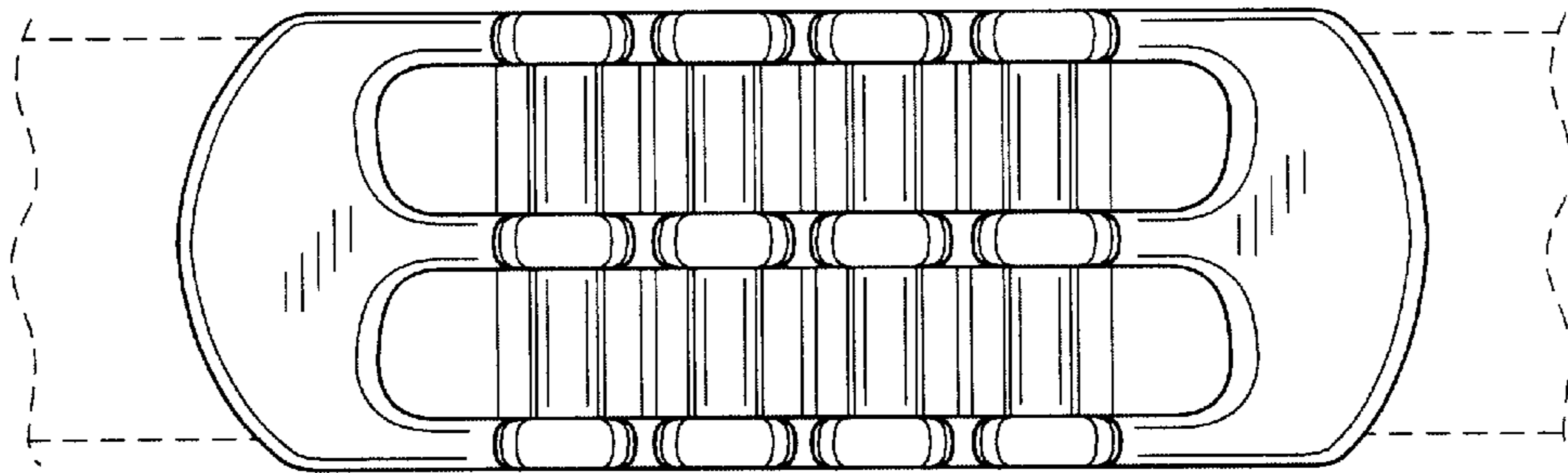


Fig. 5

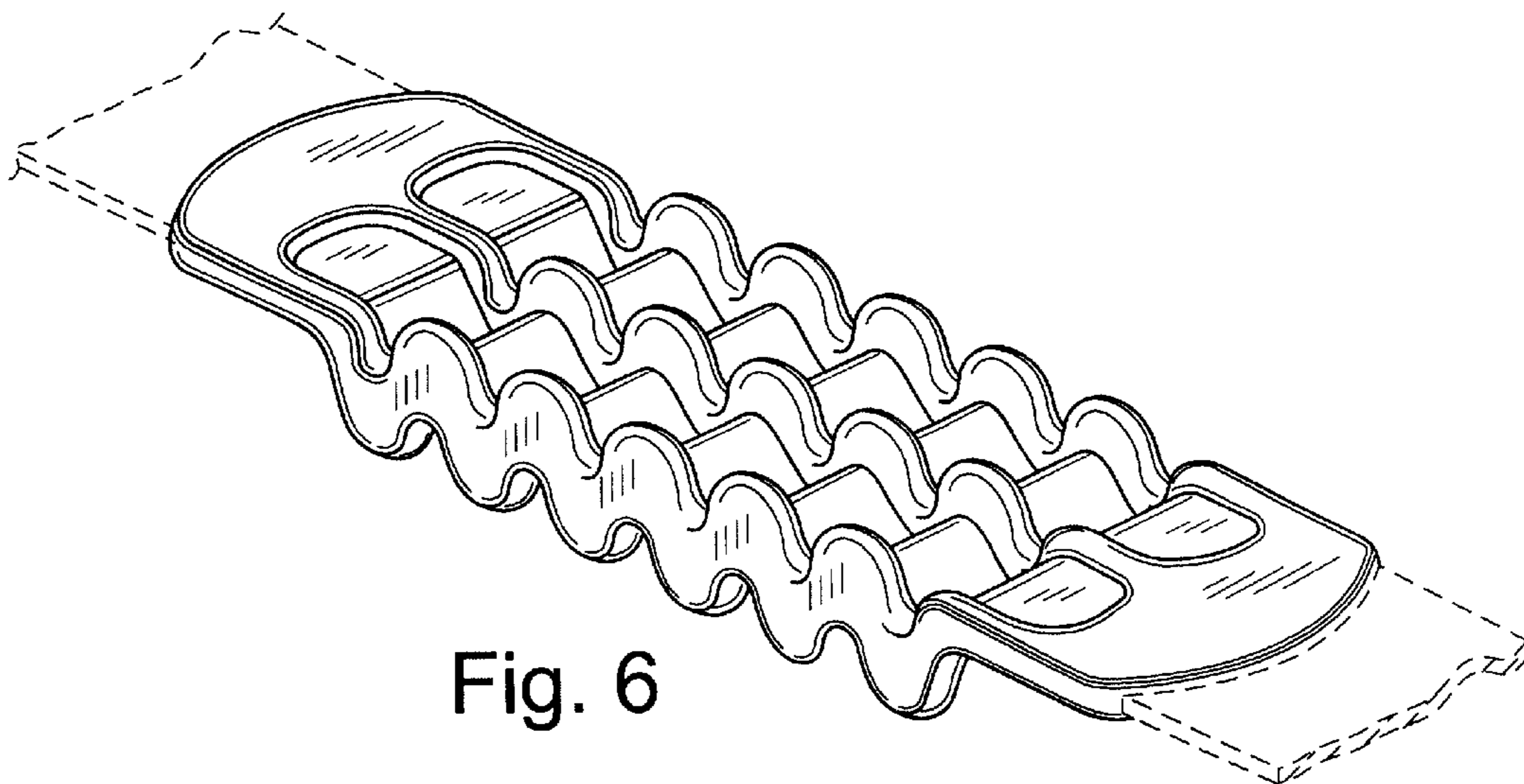


Fig. 6



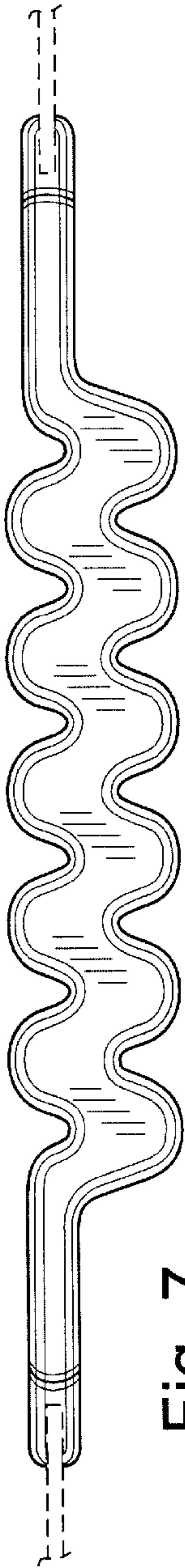


Fig. 7

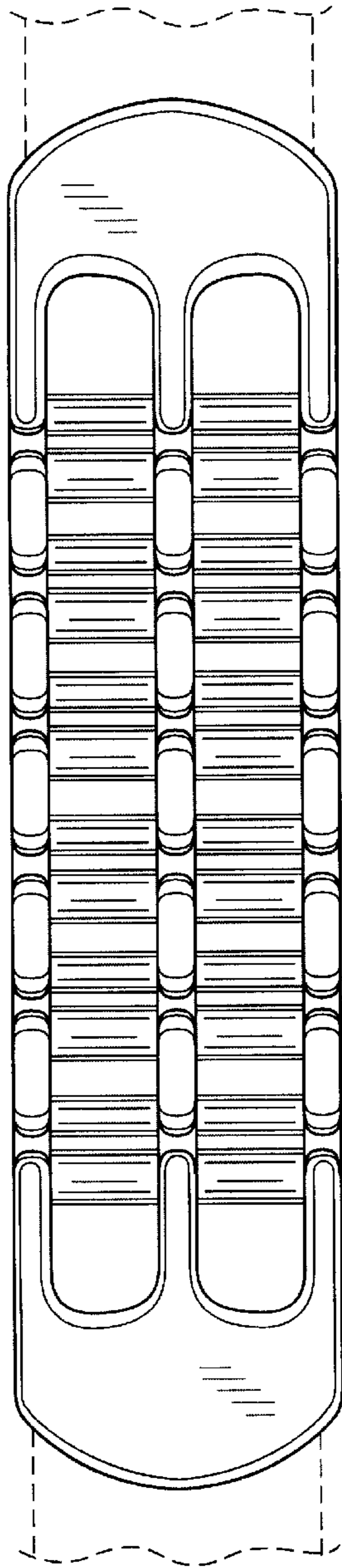


Fig. 8

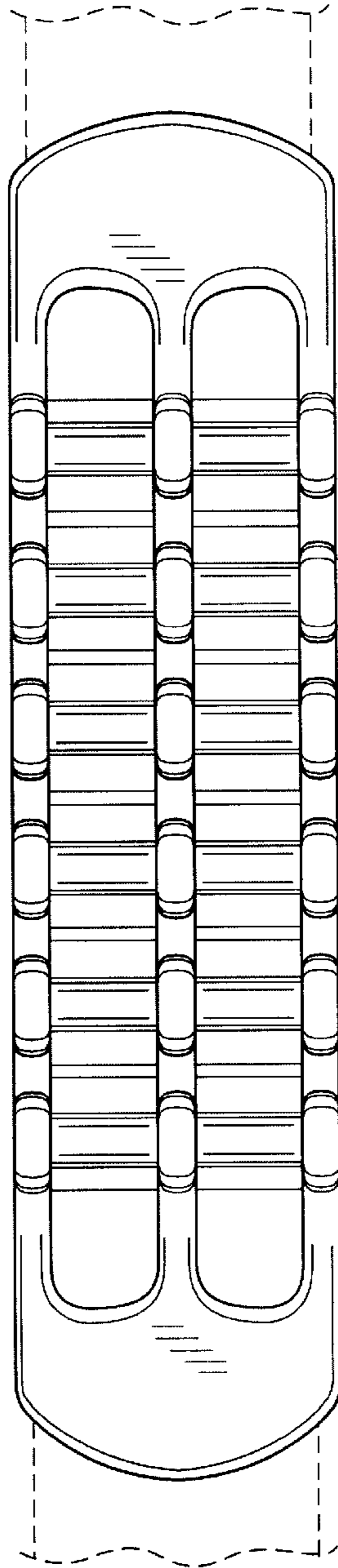
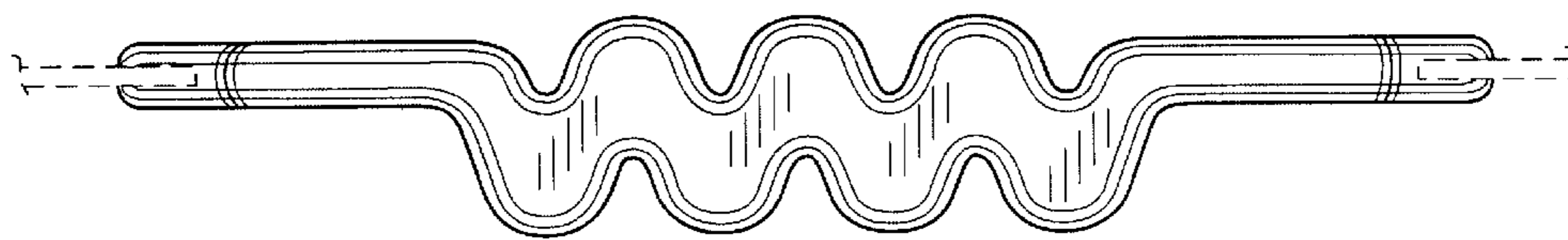
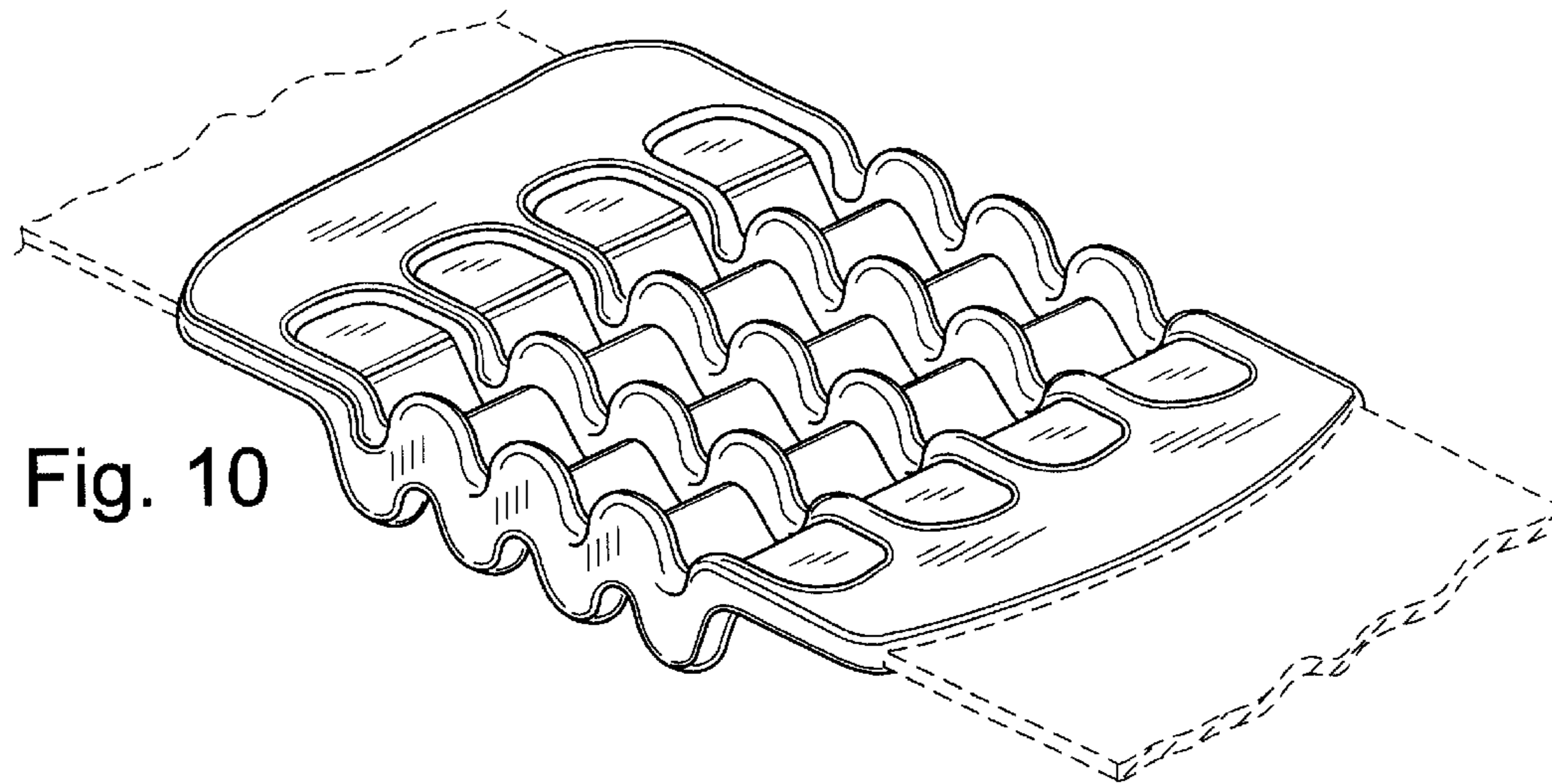


Fig. 9



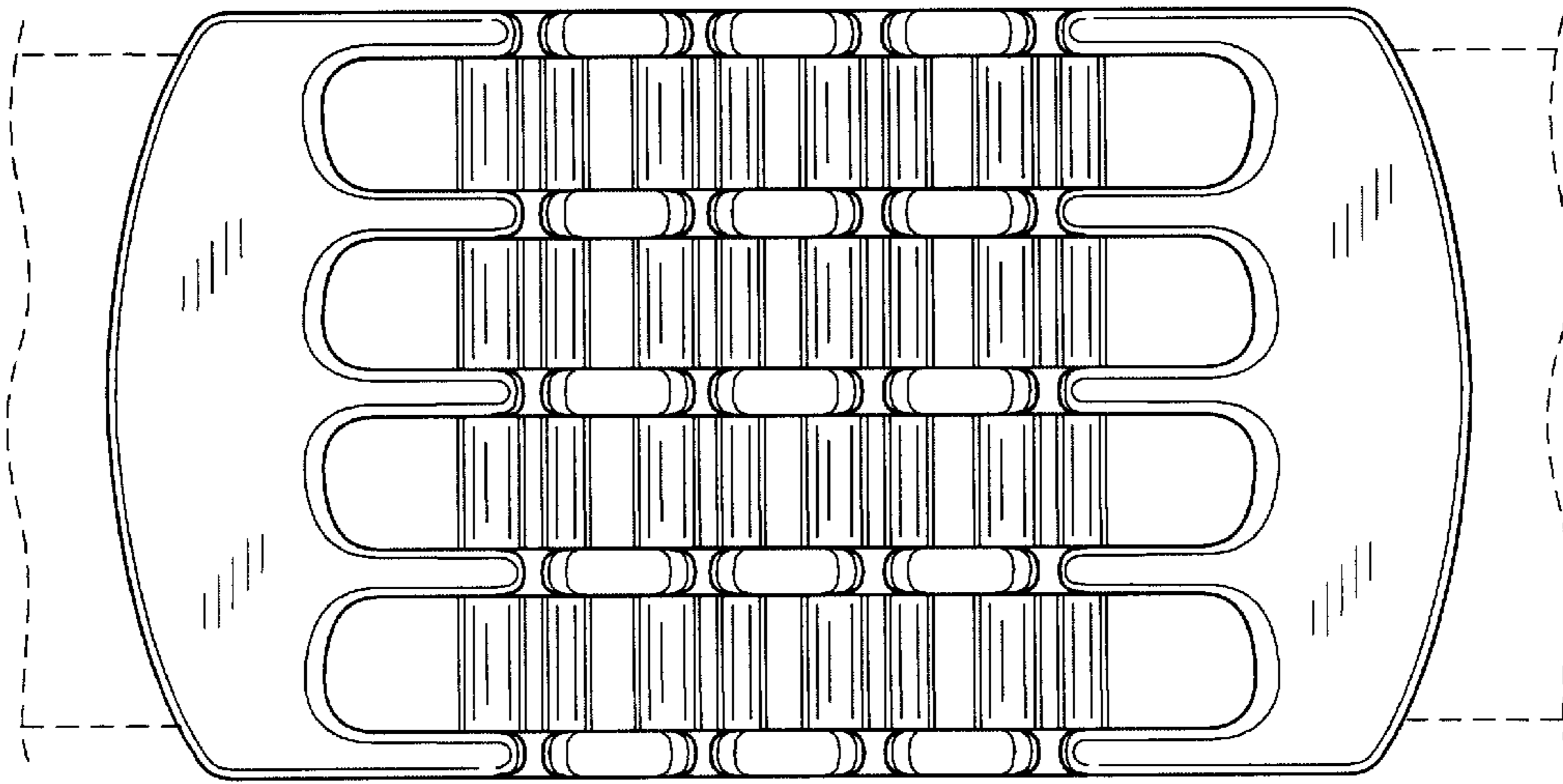


Fig. 12

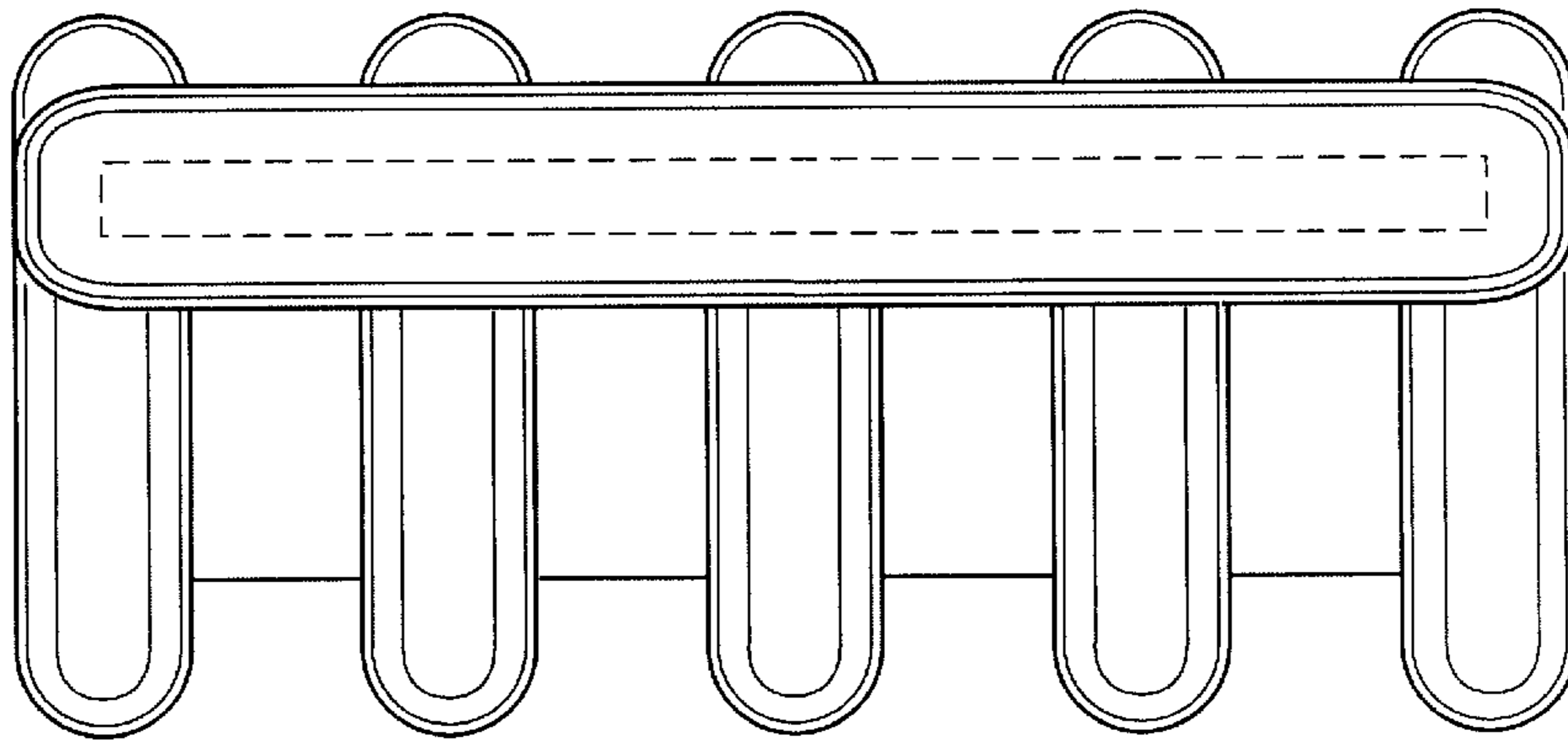


Fig. 13

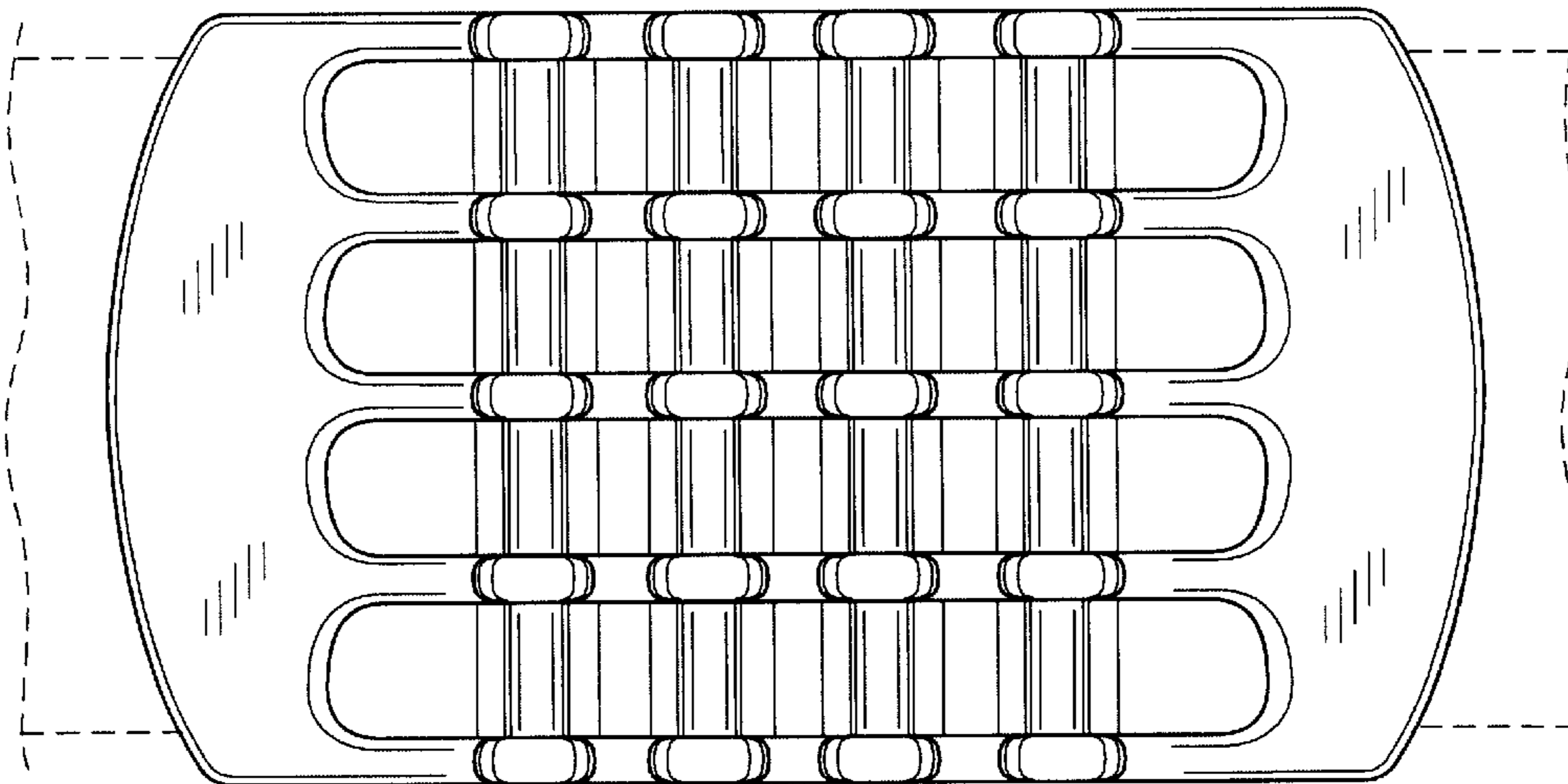


Fig. 14

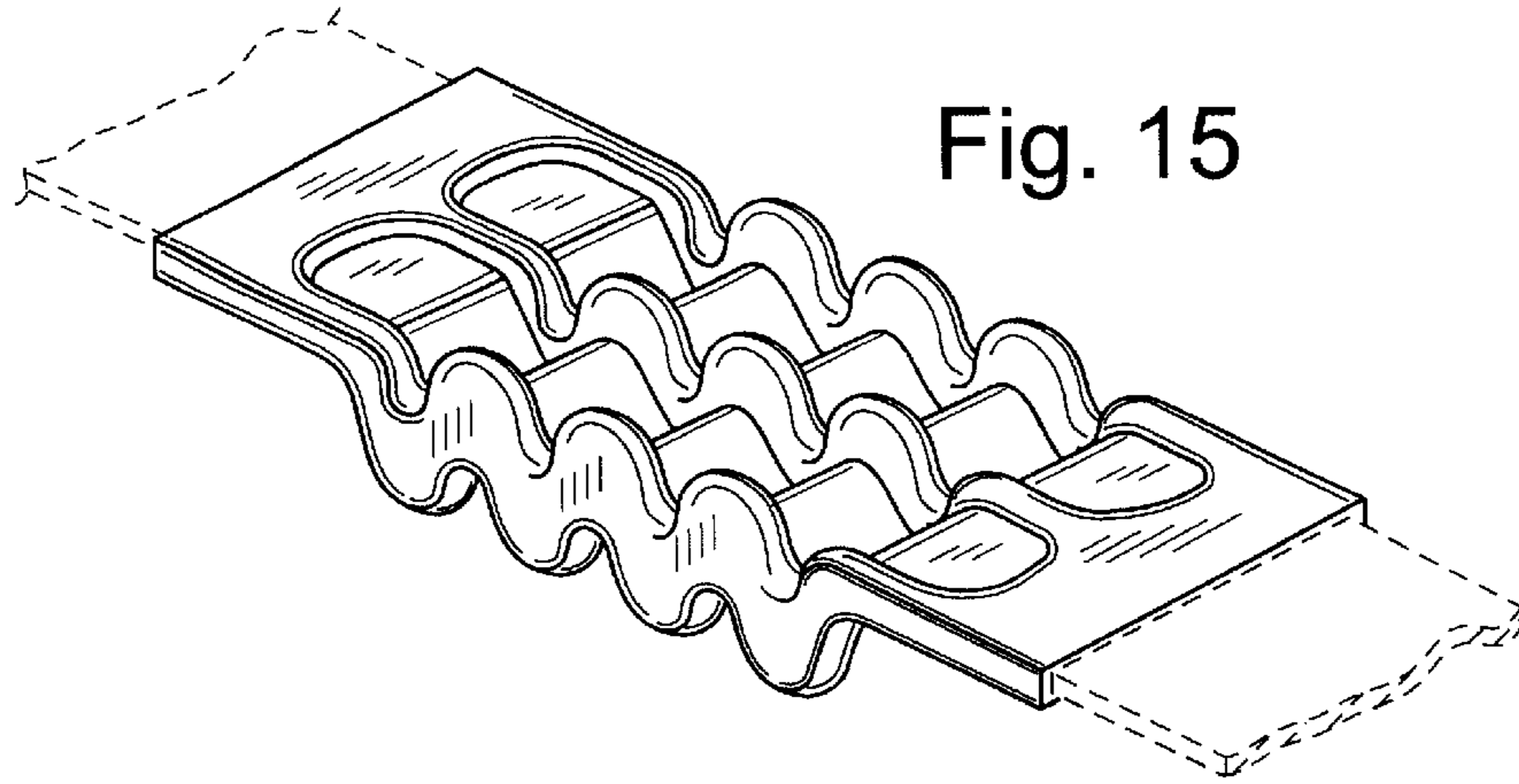


Fig. 15

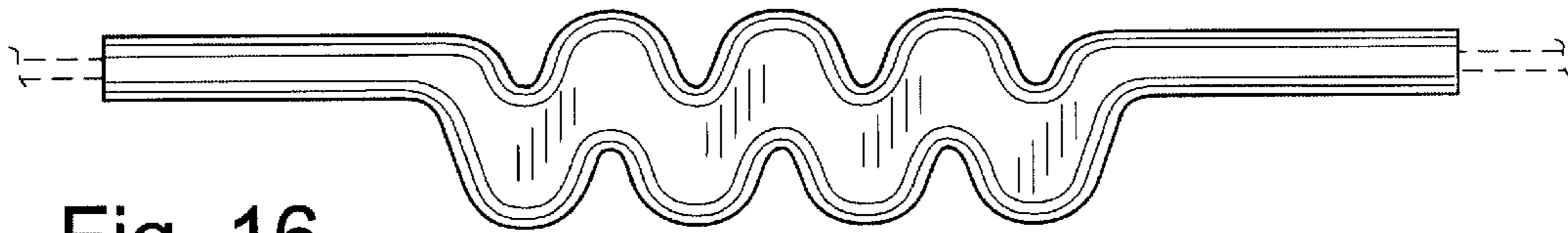


Fig. 16

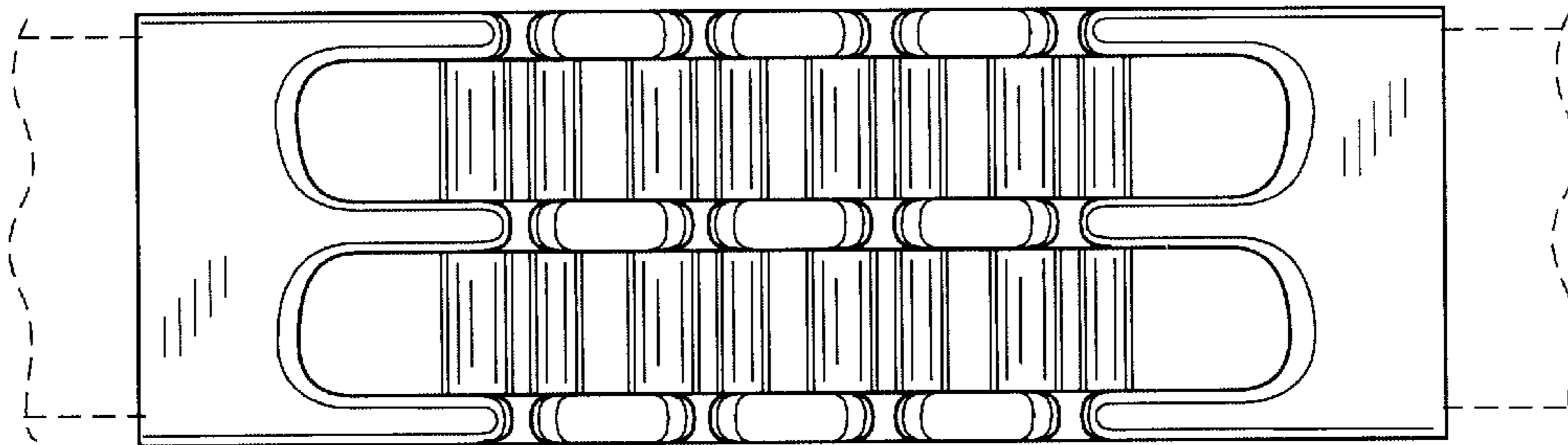


Fig. 17

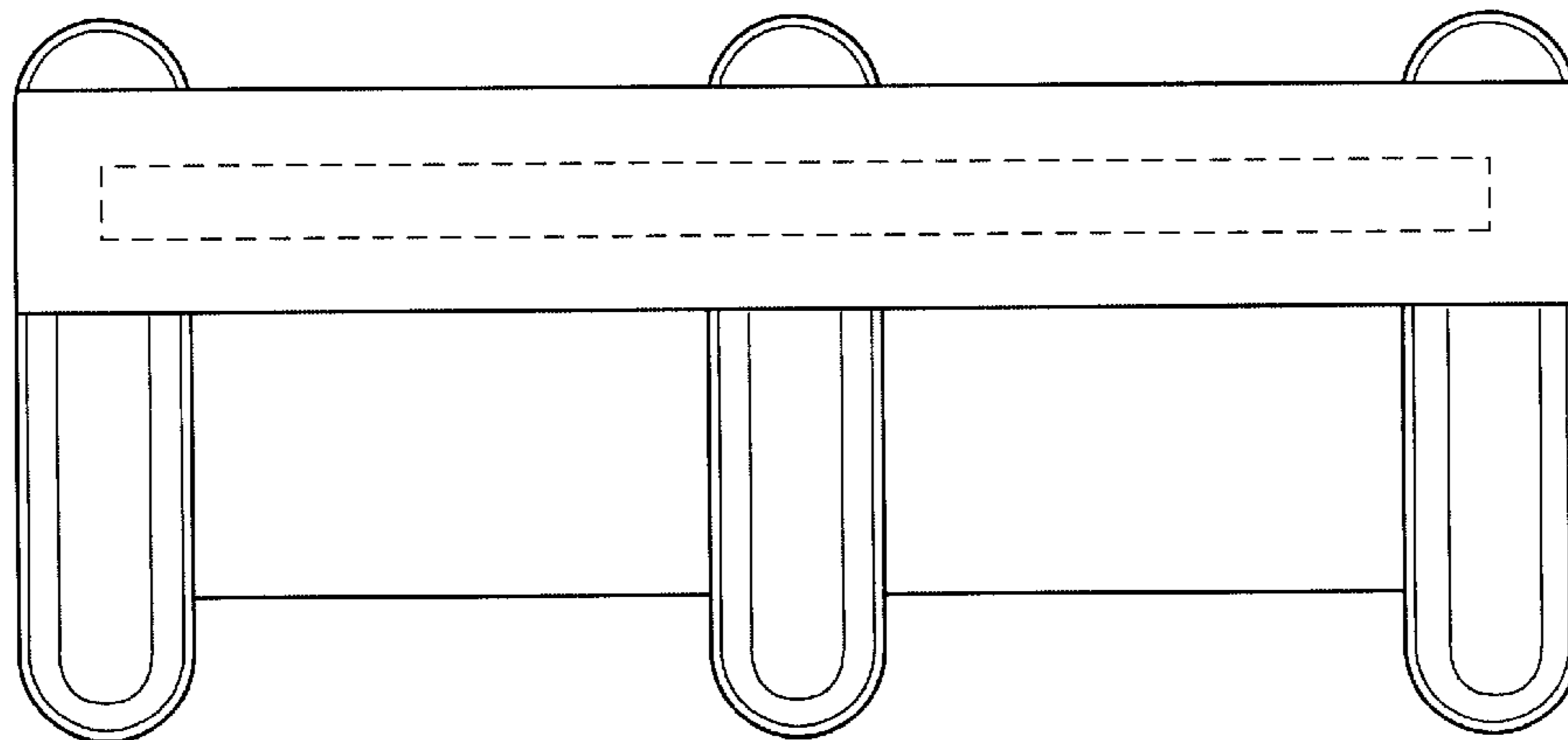


Fig. 18



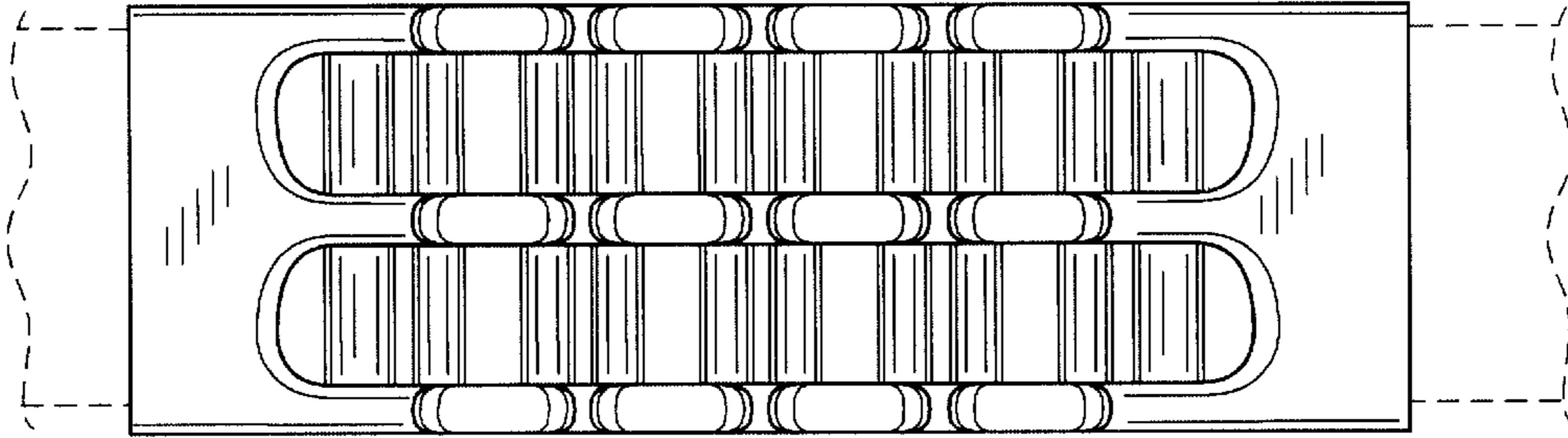


Fig. 19

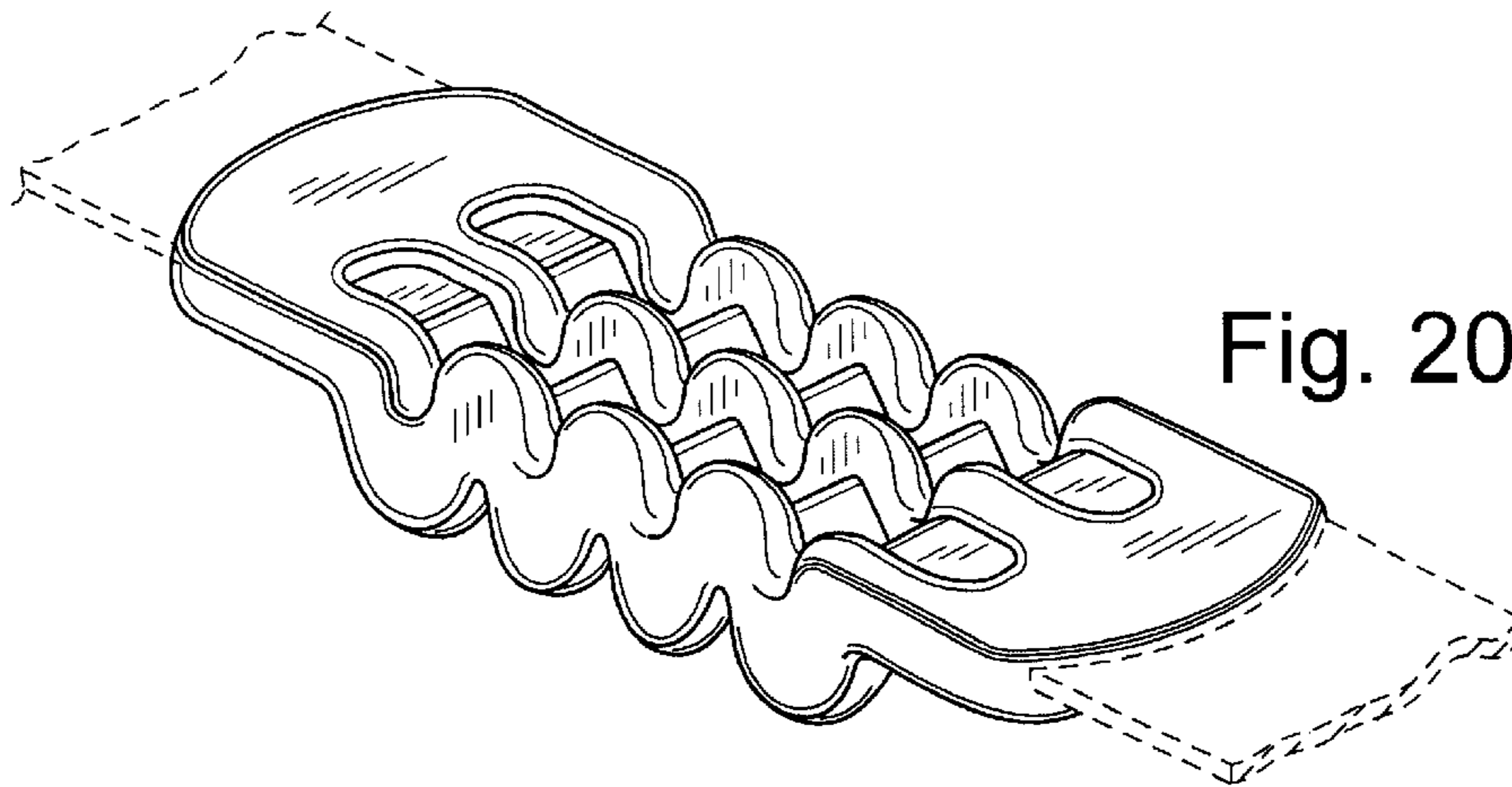


Fig. 20

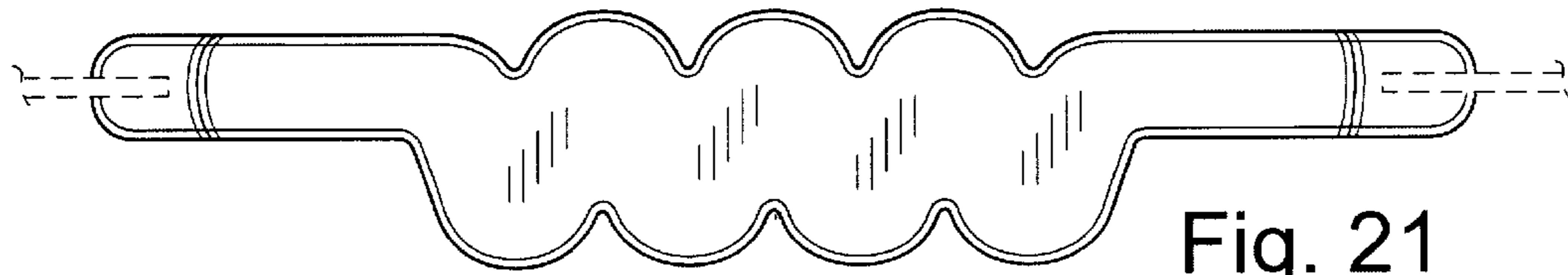


Fig. 21

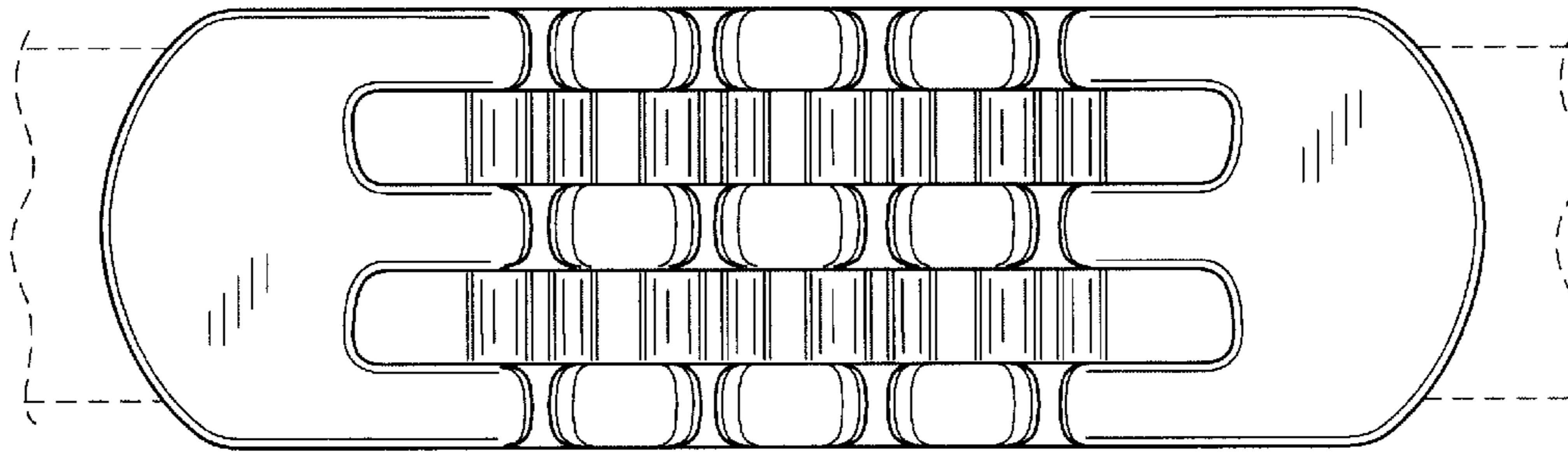


Fig. 22

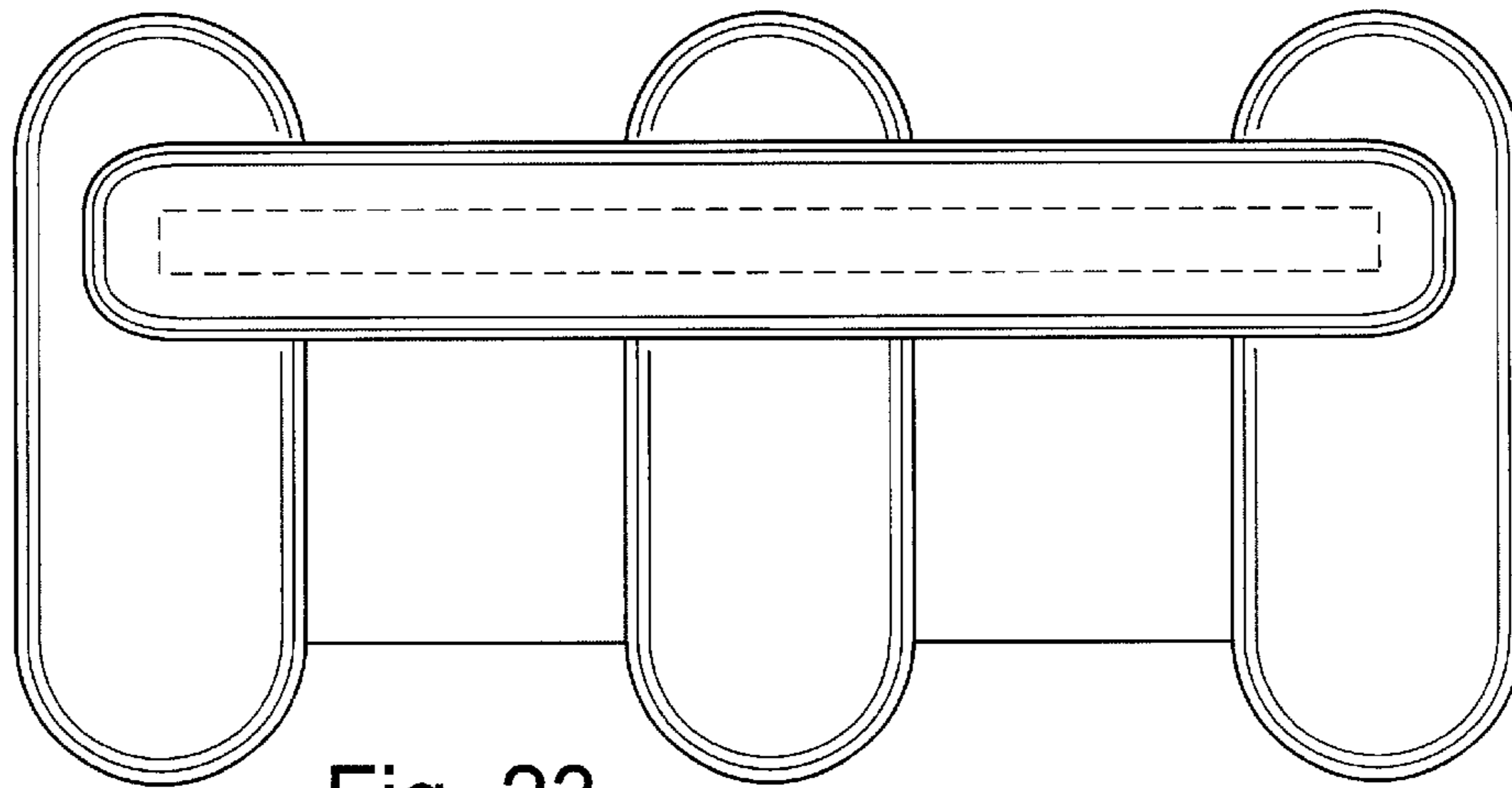


Fig. 23

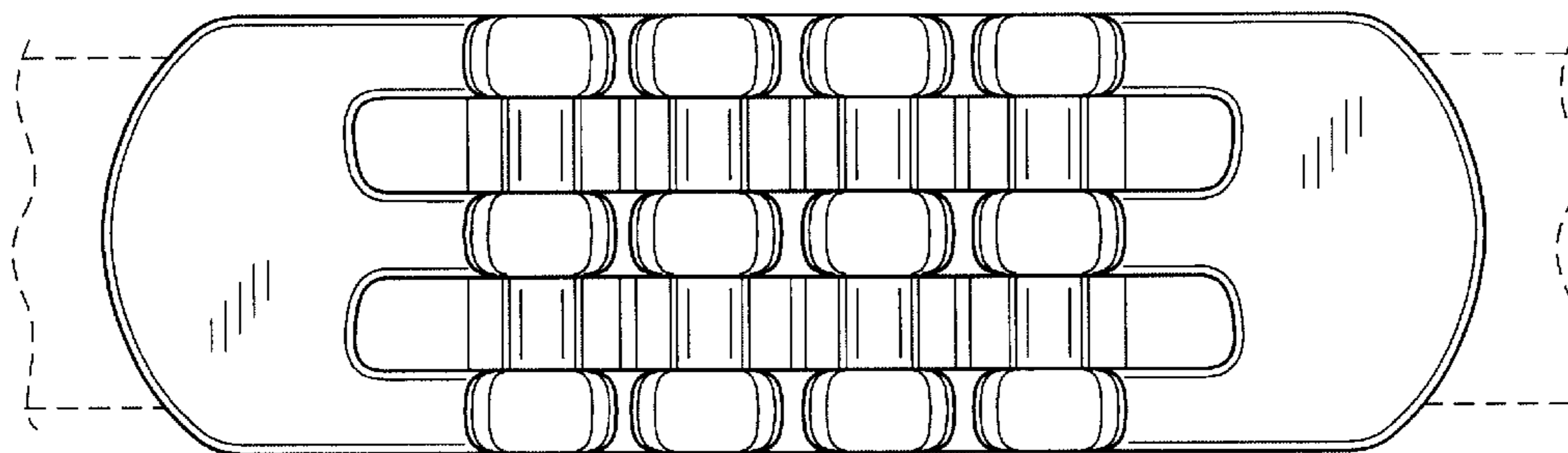


Fig. 24