



US00D519279S

(12) **United States Design Patent**  
**Krebs et al.**

(10) **Patent No.:** **US D519,279 S**

(45) **Date of Patent:** **\*\* Apr. 25, 2006**

(54) **MODULAR WILL-CALL STORAGE DEVICE**

D382,405 S \* 8/1997 Ohayon ..... D3/313  
D425,703 S \* 5/2000 Ohayon ..... D3/304

(75) Inventors: **Philip M. Krebs**, West Linn, OR (US);  
**Stephen A. Garrett**, Vancouver, WA  
(US); **Shelton Louie**, Vancouver, WA  
(US)

\* cited by examiner

*Primary Examiner*—Louis S. Zarfes  
*Assistant Examiner*—John Windmuller  
(74) *Attorney, Agent, or Firm*—Ipsolon llp.

(73) Assignee: **GSL Solutions, Inc.**, Vancouver, WA  
(US)

(57) **CLAIM**

(\*\*) Term: **14 Years**

We claim the ornamental design for a modular will-call storage device, as shown and described.

(21) Appl. No.: **29/211,936**

**DESCRIPTION**

(22) Filed: **Aug. 23, 2004**

(51) **LOC (8) Cl.** ..... **03-01**

(52) **U.S. Cl.** ..... **D3/304; D3/313; D6/449**

(58) **Field of Classification Search** ..... D3/20,  
D3/200, 201, 203.1, 203.3, 205, 206, 273,  
D3/276, 304–315; D6/525, 475, 449, 476;  
D19/75, 77, 86, 90, 92, 100; 206/203, 214,  
206/215, 822, 307.1; 229/100, 914, 913,  
229/406

FIG. 1 is a front, right, perspective view of a modular will-call storage device showing our design;  
FIG. 2 is a back, left, perspective view thereof;  
FIG. 3 is a top plan view thereof;  
FIG. 4 is a right side elevational view thereof, the left side elevational view being a mirror image thereof; and,  
FIG. 5 is a front elevational view thereof at a reduced scale and shown joined together with a plurality of said modular will-call storage devices in broken lines.

See application file for complete search history.

The broken lines are for illustrative purpose only and form no part of the claimed design.

(56) **References Cited**

**U.S. PATENT DOCUMENTS**

D283,074 S \* 3/1986 Skillius ..... D3/304

**1 Claim, 3 Drawing Sheets**

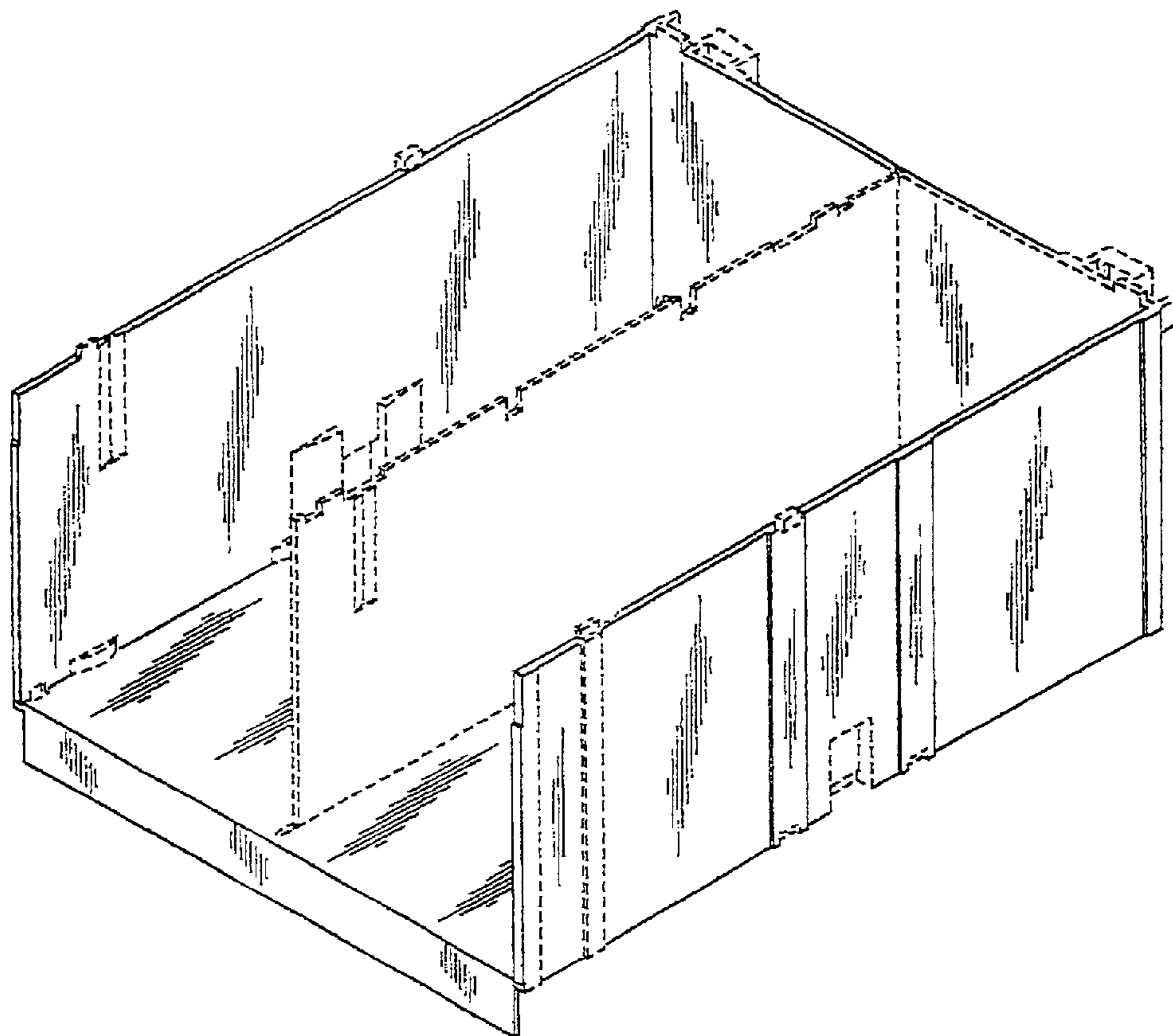


FIG. 1

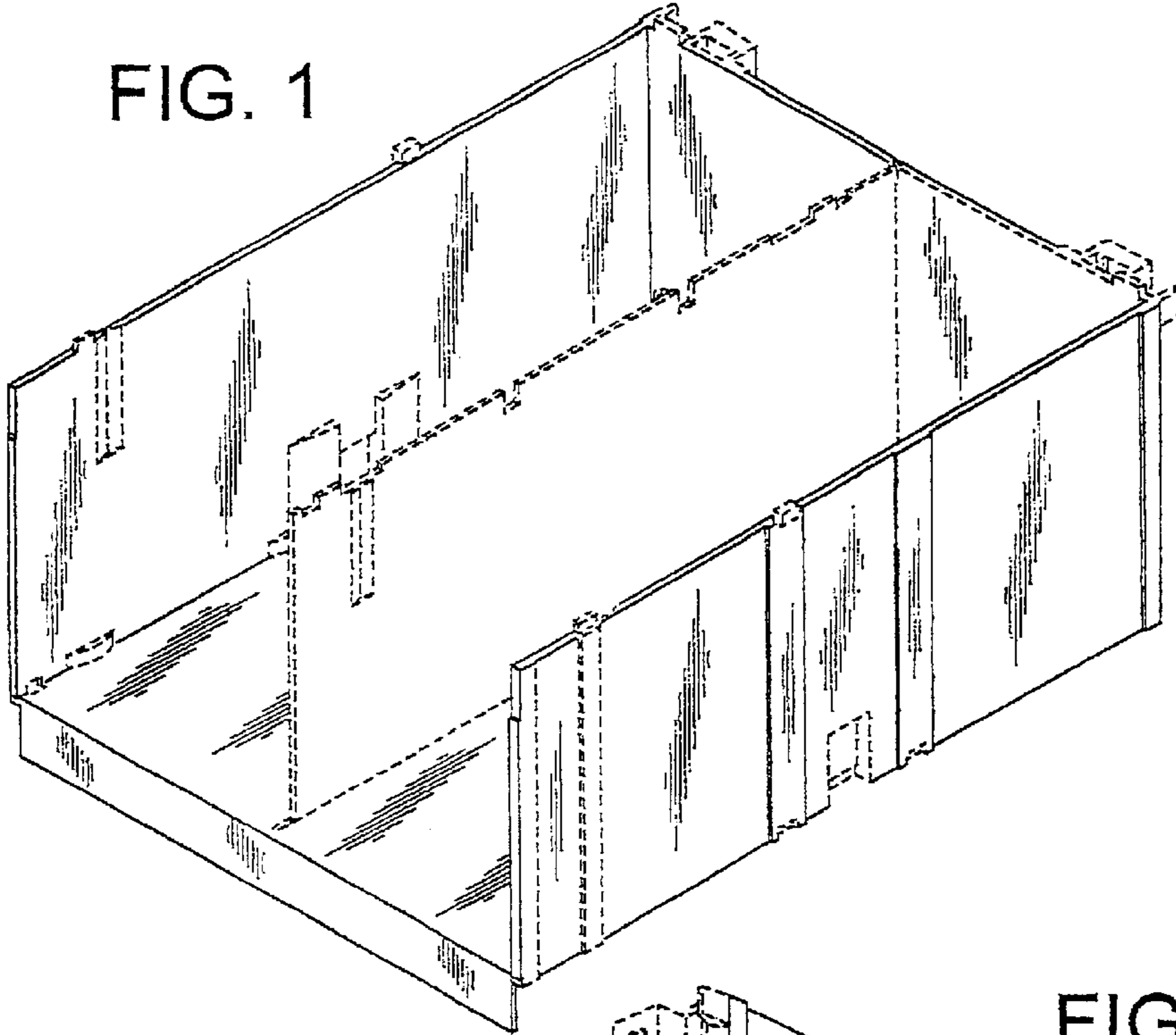


FIG. 2

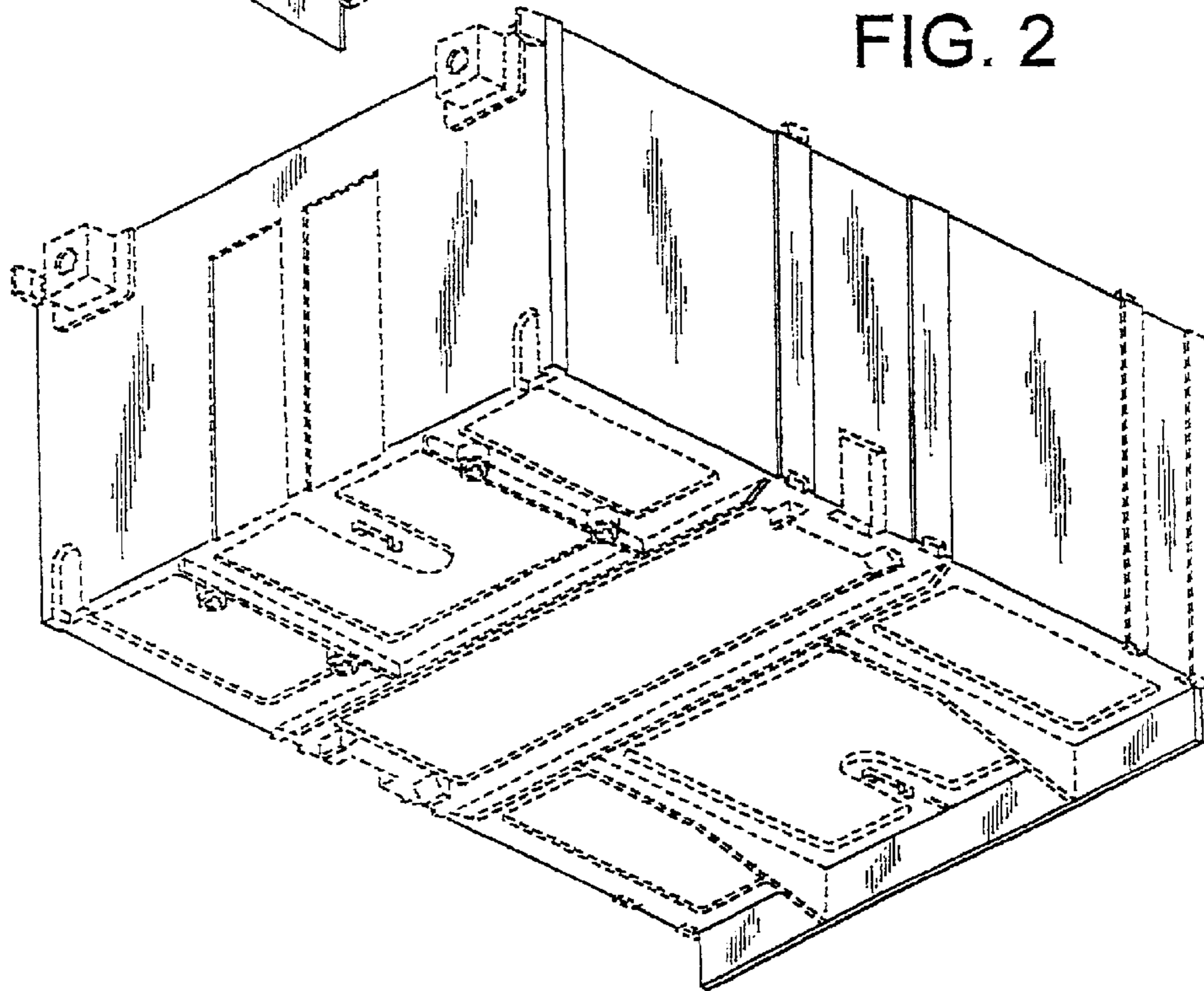


FIG. 3

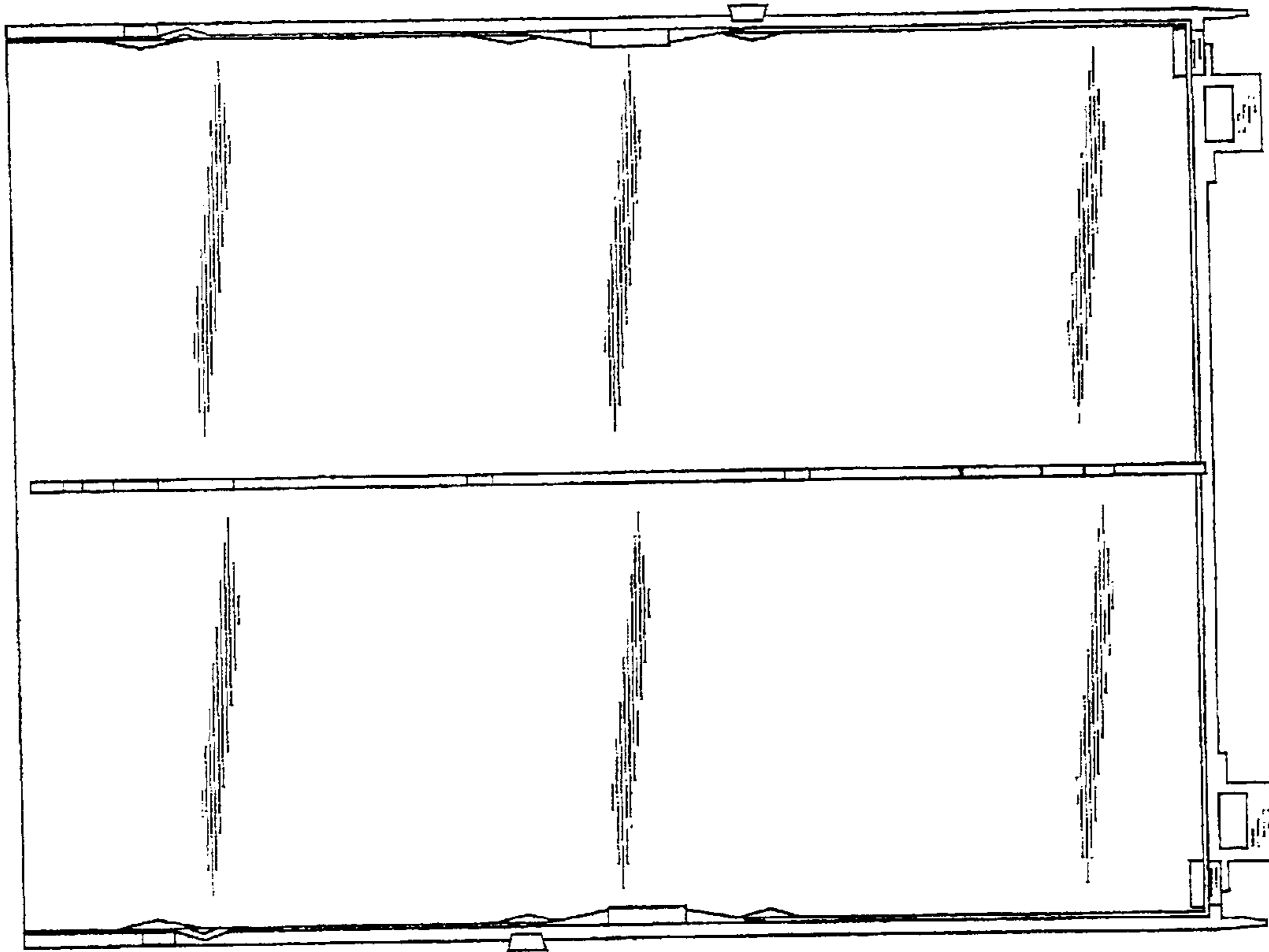


FIG. 4

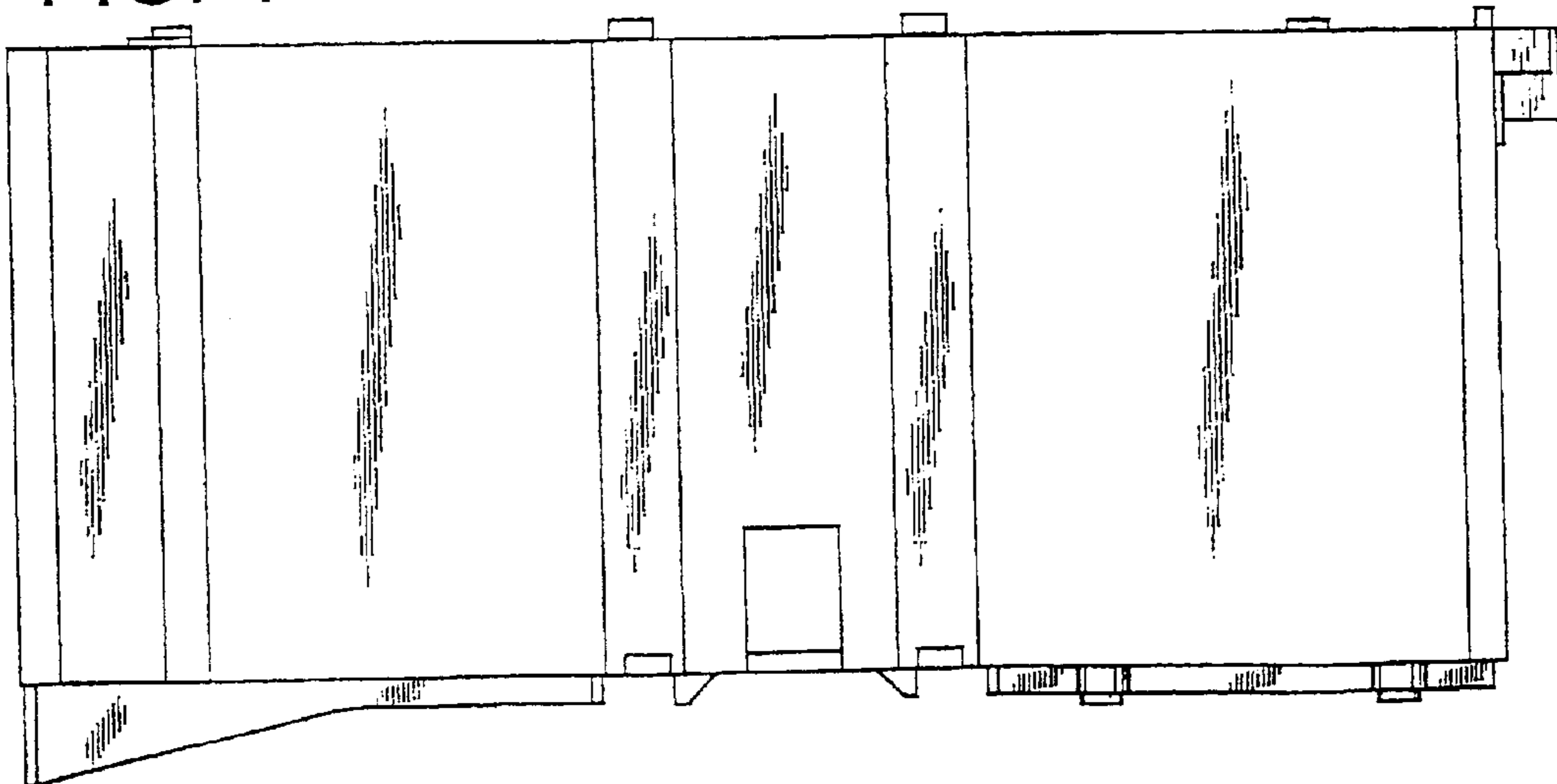


FIG. 5

