



US00D519278S

(12) **United States Design Patent**
Boerma

(10) **Patent No.:** **US D519,278 S**

(45) **Date of Patent:** **** Apr. 25, 2006**

(54) **HARDWARE SORTING TRAY**

(76) Inventor: **Roger Boerma**, 17200 Franklin Ave.,
Spring Lake, MI (US) 49456

(**) Term: **14 Years**

(21) Appl. No.: **29/195,966**

(22) Filed: **Dec. 19, 2003**

(51) **LOC (8) Cl.** **03-01**

(52) **U.S. Cl.** **D3/304; D7/550.1**

(58) **Field of Classification Search** D3/20,
D3/200, 201, 203.1, 203.3, 205, 206, 273,
D3/276, 304-315; D6/525, 475, 476; D19/75,
D19/77, 86, 90, 92, 100; 206/203, 214, 215,
206/822, 307.1; 229/100, 914, 913, 406;
D7/550.1, 553.2, 552.1, 553.1, 554.4, 555,
D7/369

See application file for complete search history.

(56) **References Cited**

U.S. PATENT DOCUMENTS

D34,669 S	*	6/1901	Beaumont	D7/698
1,771,294 A	*	7/1930	Hackett	269/16
2,554,624 A	*	5/1951	Lorentzen	53/255
D198,680 S		7/1964	Waller		
D218,352 S	*	8/1970	Hoch	D7/554.3

3,819,064 A	*	6/1974	Chandler	414/675
4,063,645 A	*	12/1977	Canterman et al.	209/702
4,716,840 A	*	1/1988	Tringali et al.	108/27
D298,968 S	*	12/1988	McAllister	D24/227
D341,298 S		11/1993	Ancona et al.		
D347,360 S		5/1994	Wheeler		
6,116,425 A	*	9/2000	Frayner, Sr.	206/557

* cited by examiner

Primary Examiner—Louis S. Zarfes

Assistant Examiner—John Windmuller

(74) *Attorney, Agent, or Firm*—Price, Heneveld, Cooper,
DeWitt & Litton LLP

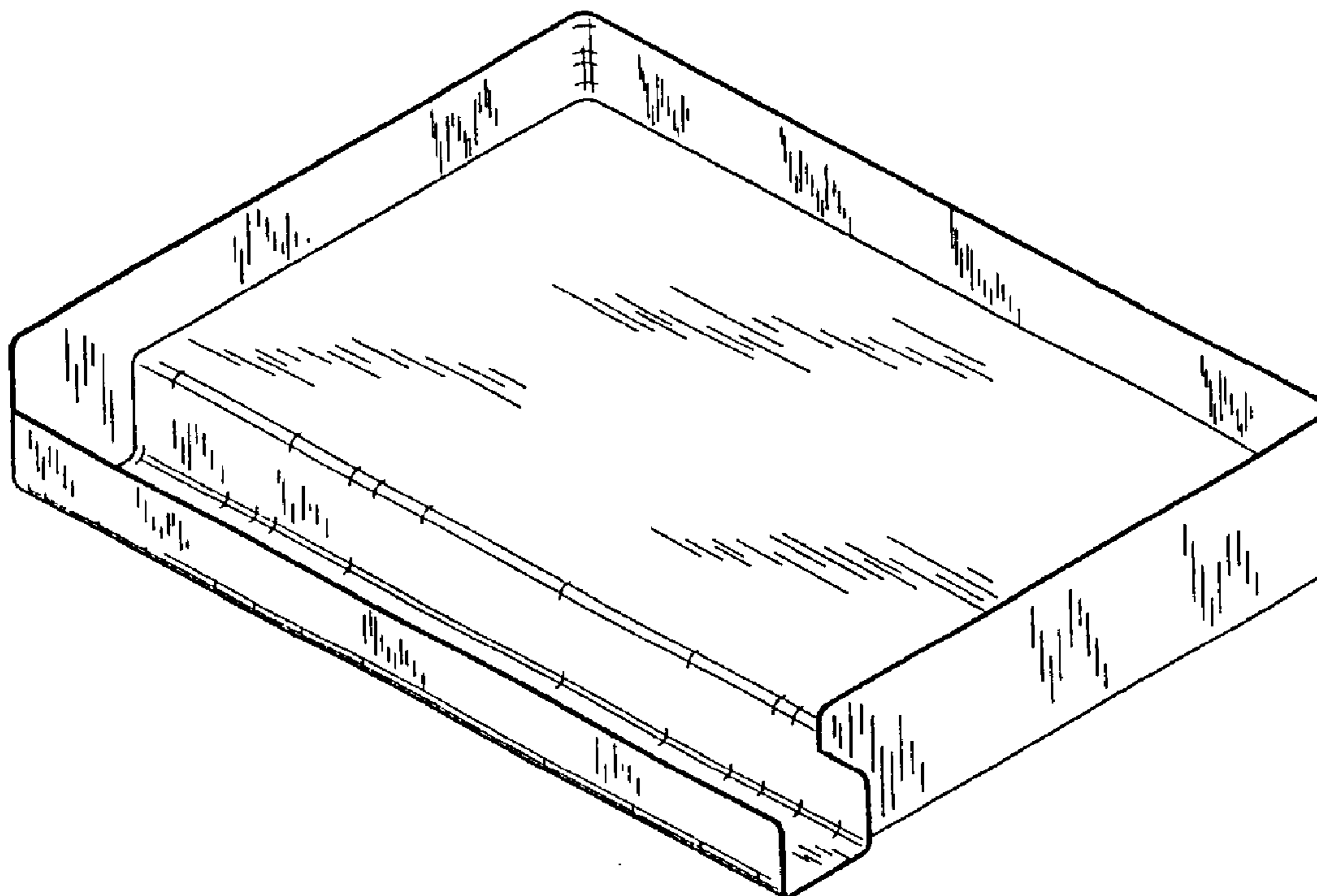
(57) **CLAIM**

I claim the ornamental design for hardware sorting tray, as shown.

DESCRIPTION

FIG. 1 is an isometric view of a hardware sorting tray showing the inventor's new design;
FIG. 2 is a top plan view thereof;
FIG. 3 is a front elevational view thereof;
FIG. 4 is a left side elevational view thereof;
FIG. 5 is a rear elevational view thereof;
FIG. 6 is a right side elevational view thereof; and,
FIG. 7 is a bottom plan view thereof.

1 Claim, 2 Drawing Sheets



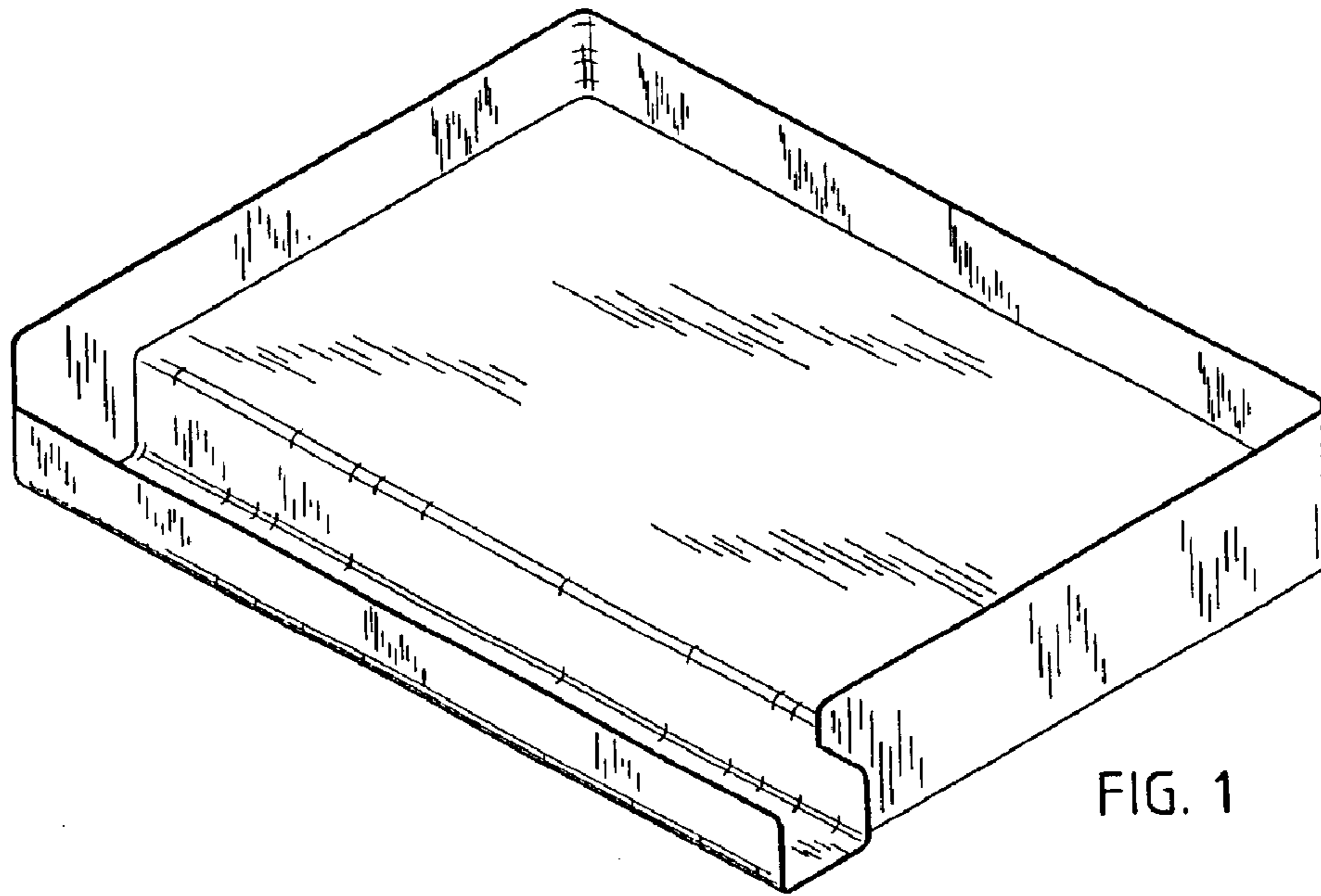


FIG. 1

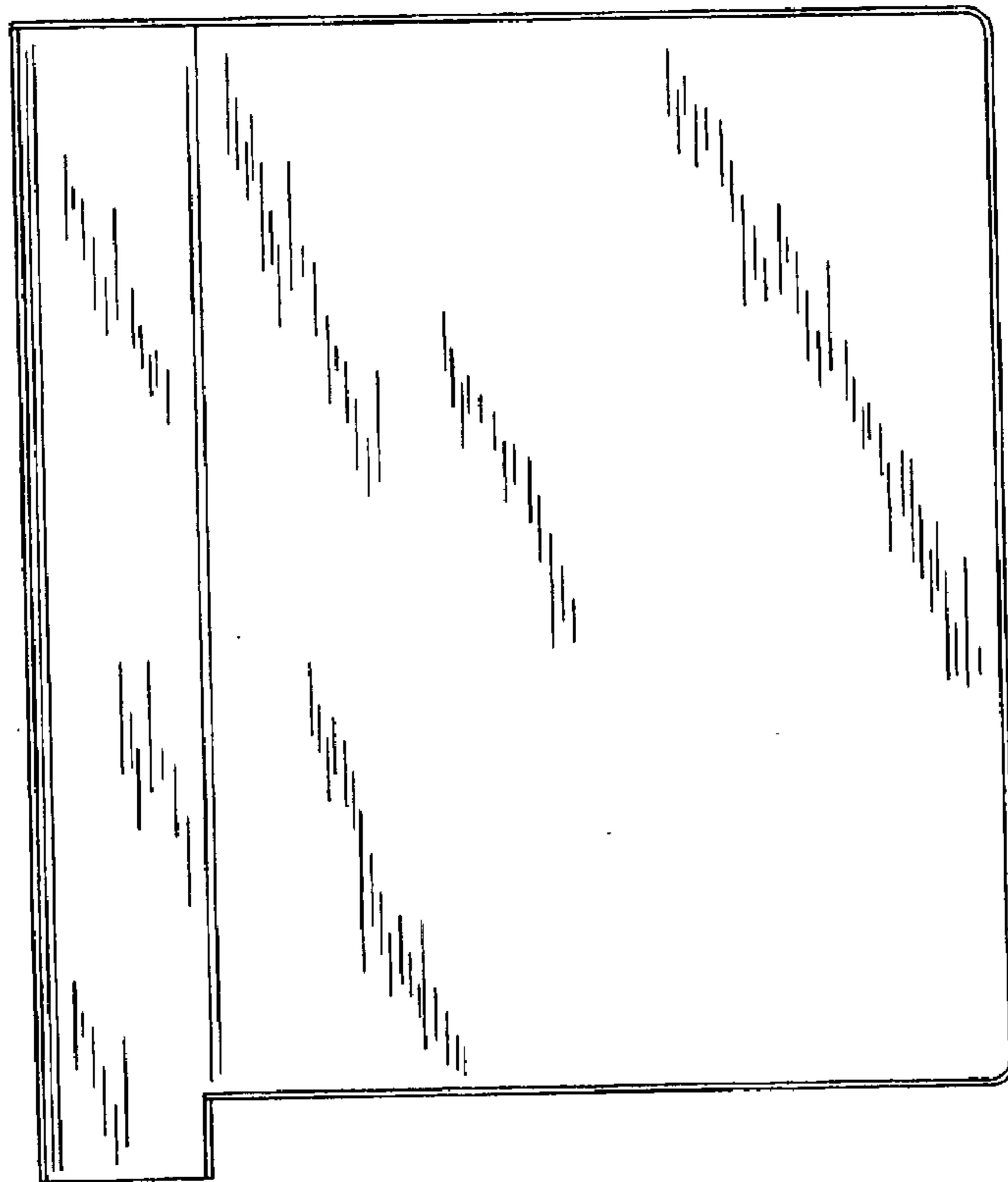


FIG. 2



FIG. 3



FIG. 4

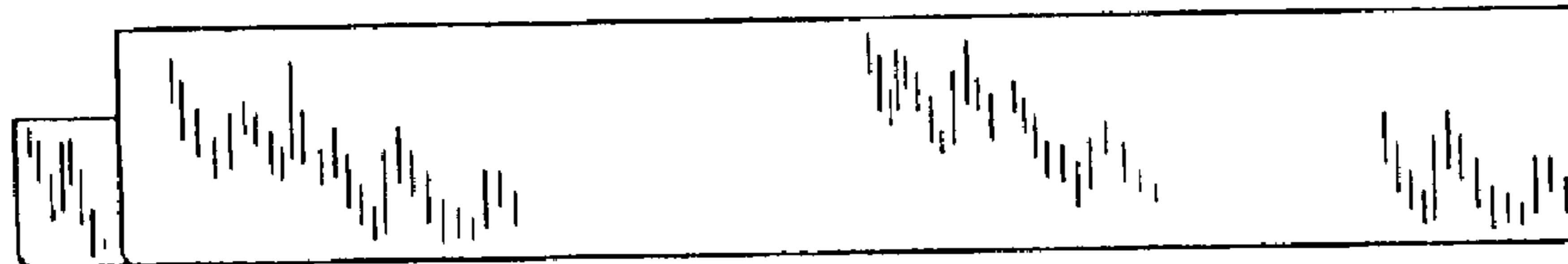


FIG. 5



FIG. 6

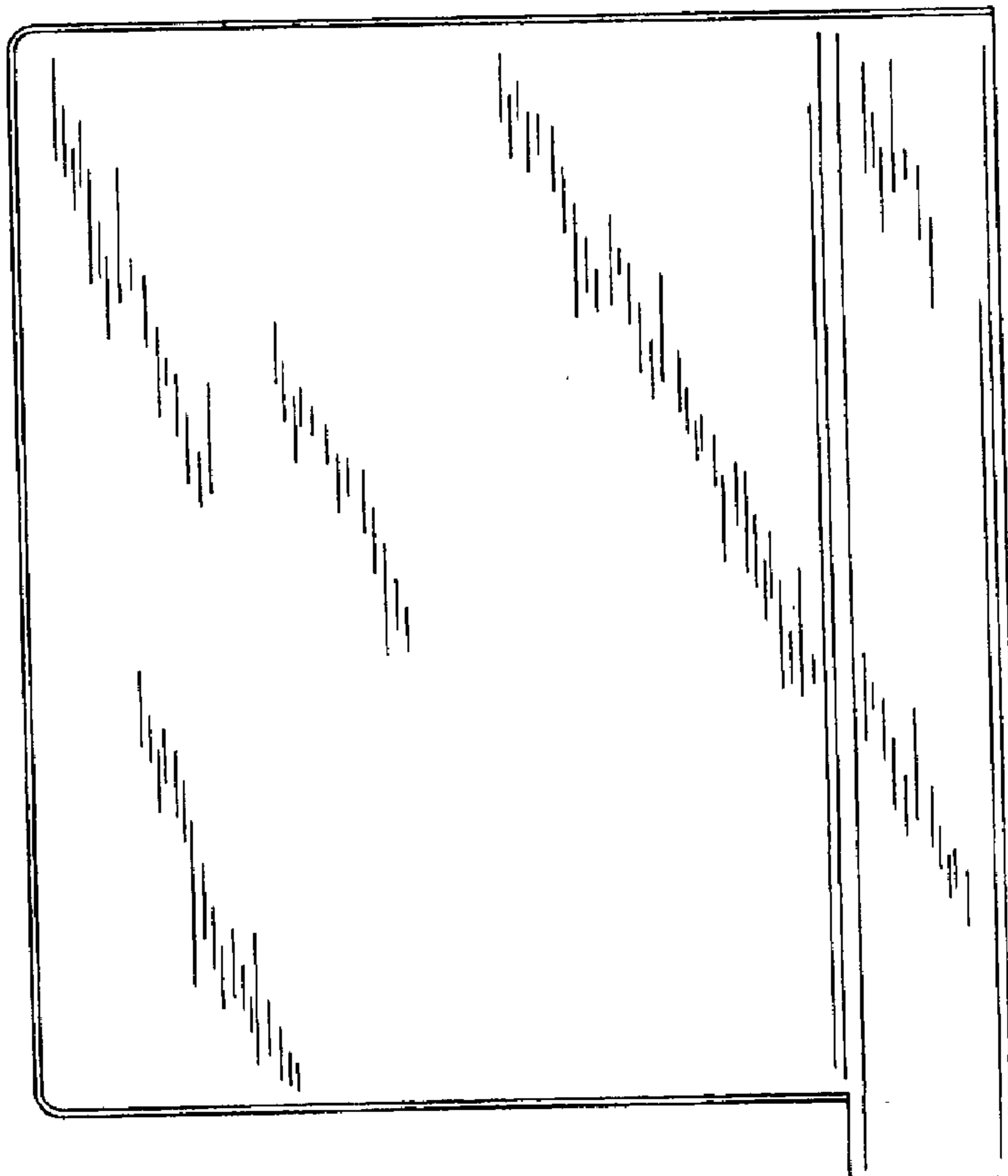


FIG. 7