



US00D519275S

(12) **United States Design Patent**
Shertzer

(10) **Patent No.:** **US D519,275 S**

(45) **Date of Patent:** **** Apr. 25, 2006**

(54) **CARRIER FOR DIGITAL PLAYER AND HEADPHONES**

(75) Inventor: **Jennifer Leiya Shertzer**, Plano, TX (US)

(73) Assignee: **TBAC Investment Trust**, Arlington, TX (US)

(**) Term: **14 Years**

(21) Appl. No.: **29/224,985**

(22) Filed: **Mar. 9, 2005**

(51) **LOC (8) Cl.** **03-01**

(52) **U.S. Cl.** **D3/218**

(58) **Field of Classification Search** D3/218, D3/215, 224, 226, 228, 219; 224/600, 250, 224/930, 682-683, 554; 379/455; 455/100
See application file for complete search history.

(56) **References Cited**

U.S. PATENT DOCUMENTS

5,971,242	A	*	10/1999	Schuerman	224/544
D467,069	S	*	12/2002	TenHoeve	D3/218
D472,373	S	*	4/2003	Hillman	D3/218
D495,872	S	*	9/2004	Patton	D3/218
D499,546	S	*	12/2004	Smithers	D3/218

* cited by examiner

Primary Examiner—Catherine R. Oliver

(74) *Attorney, Agent, or Firm*—Winstead Sechrest & Minick P.C.

(57) **CLAIM**

The ornamental design for a carrier for digital player and headphones, shown and described.

DESCRIPTION

FIG. 1 is a perspective view of a carrier for digital player and headphones showing my new design;

FIG. 2 is a front elevation view shown open face;

FIG. 3 is a rear elevation view shown open face;

FIG. 4 is a front elevation view shown closed;

FIG. 5 is a rear elevation view shown closed;

FIG. 6 is a front elevation view shown closed, with the cord retainers unsnapped;

FIG. 7 is a rear elevational view shown closed, with the cord retainers unsnapped; and

FIG. 8 is a top plan thereof;

FIG. 9 is a bottom plan view thereof;

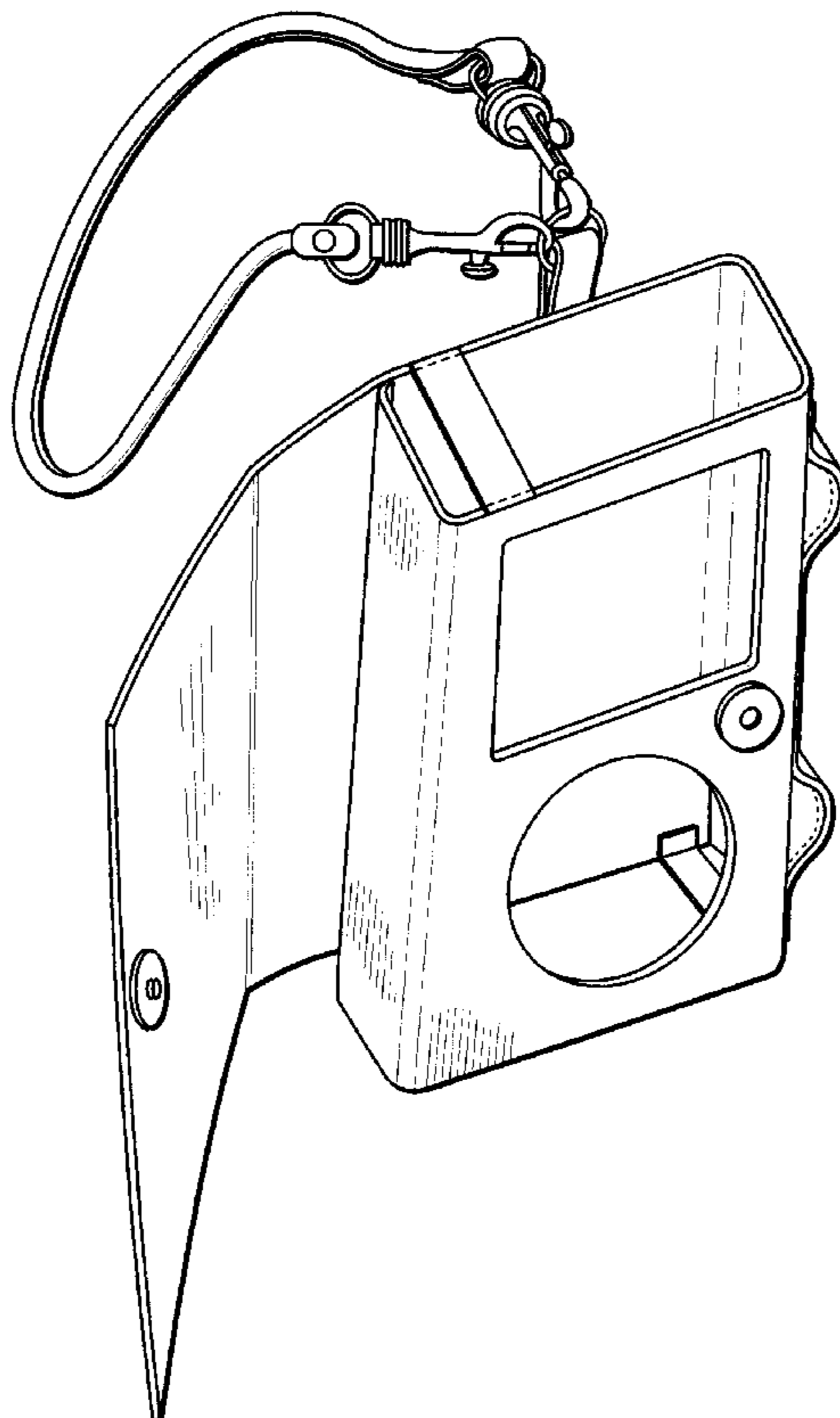
FIG. 10 is a left side elevation view thereof; and,

FIG. 11 is a right side elevation view thereof.

The strap is removed from FIGS. 3-7 for convenience of illustration.

The small broken lines represent top stitching.

1 Claim, 6 Drawing Sheets



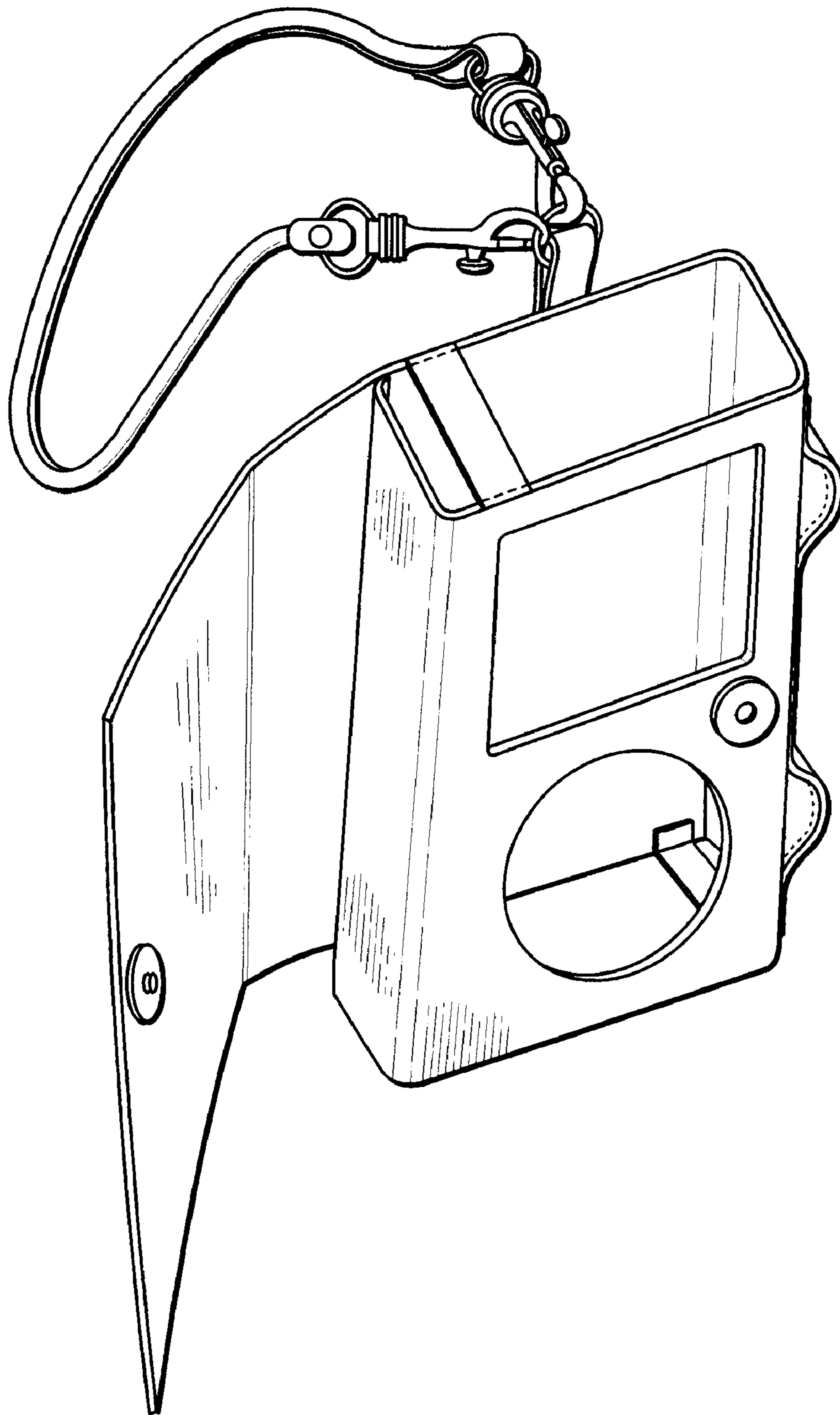


FIG. 1

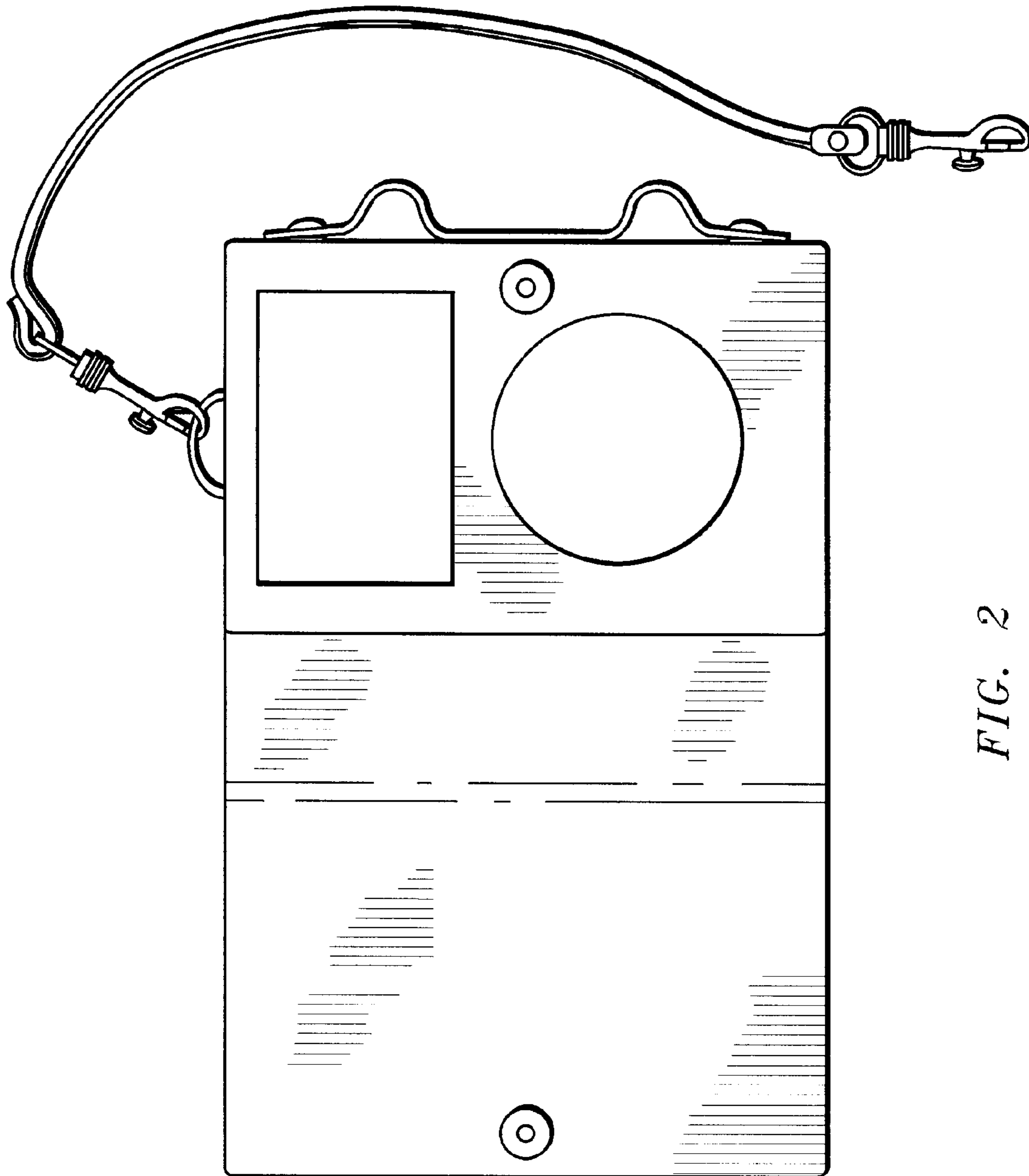


FIG. 2

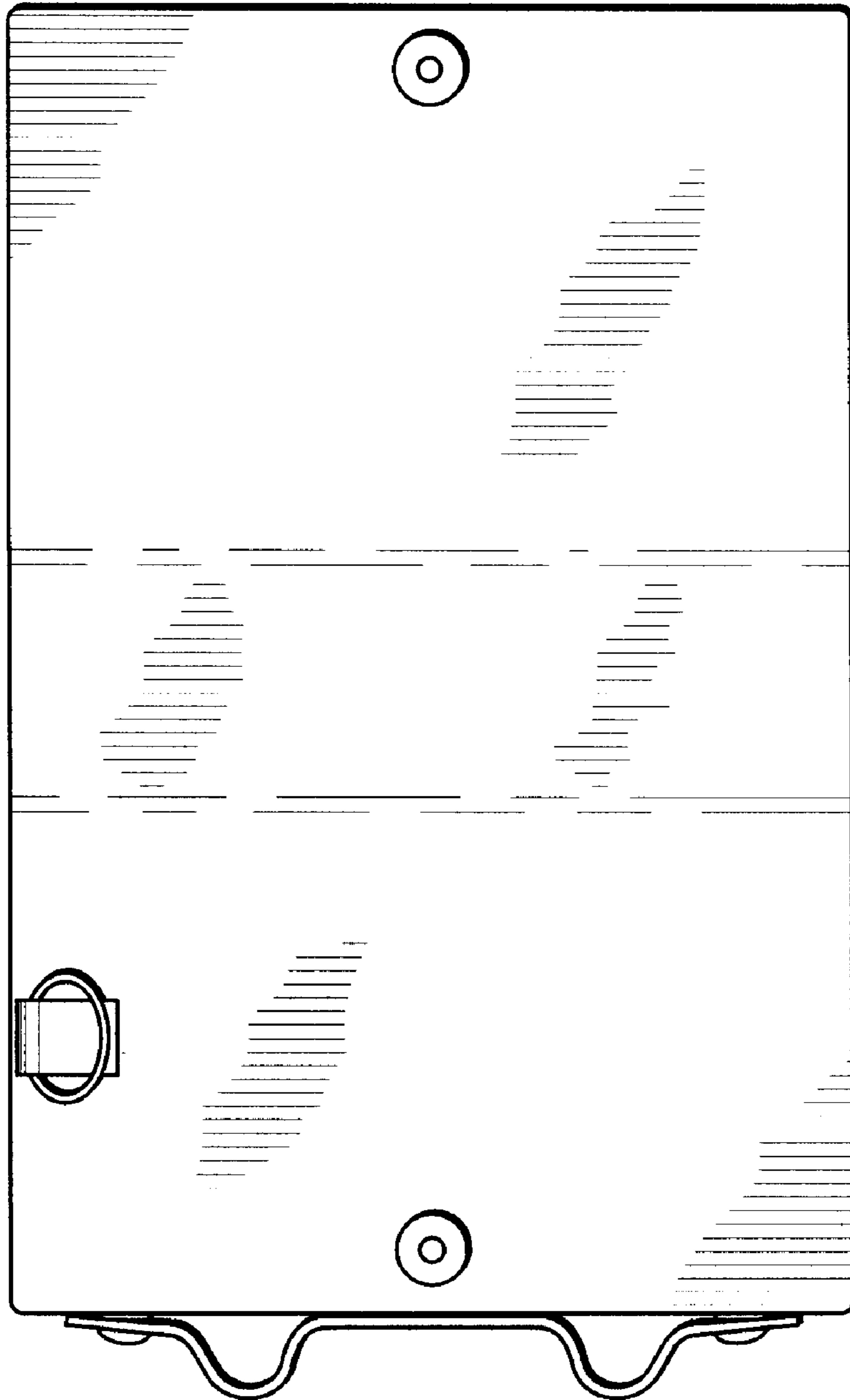


FIG. 3

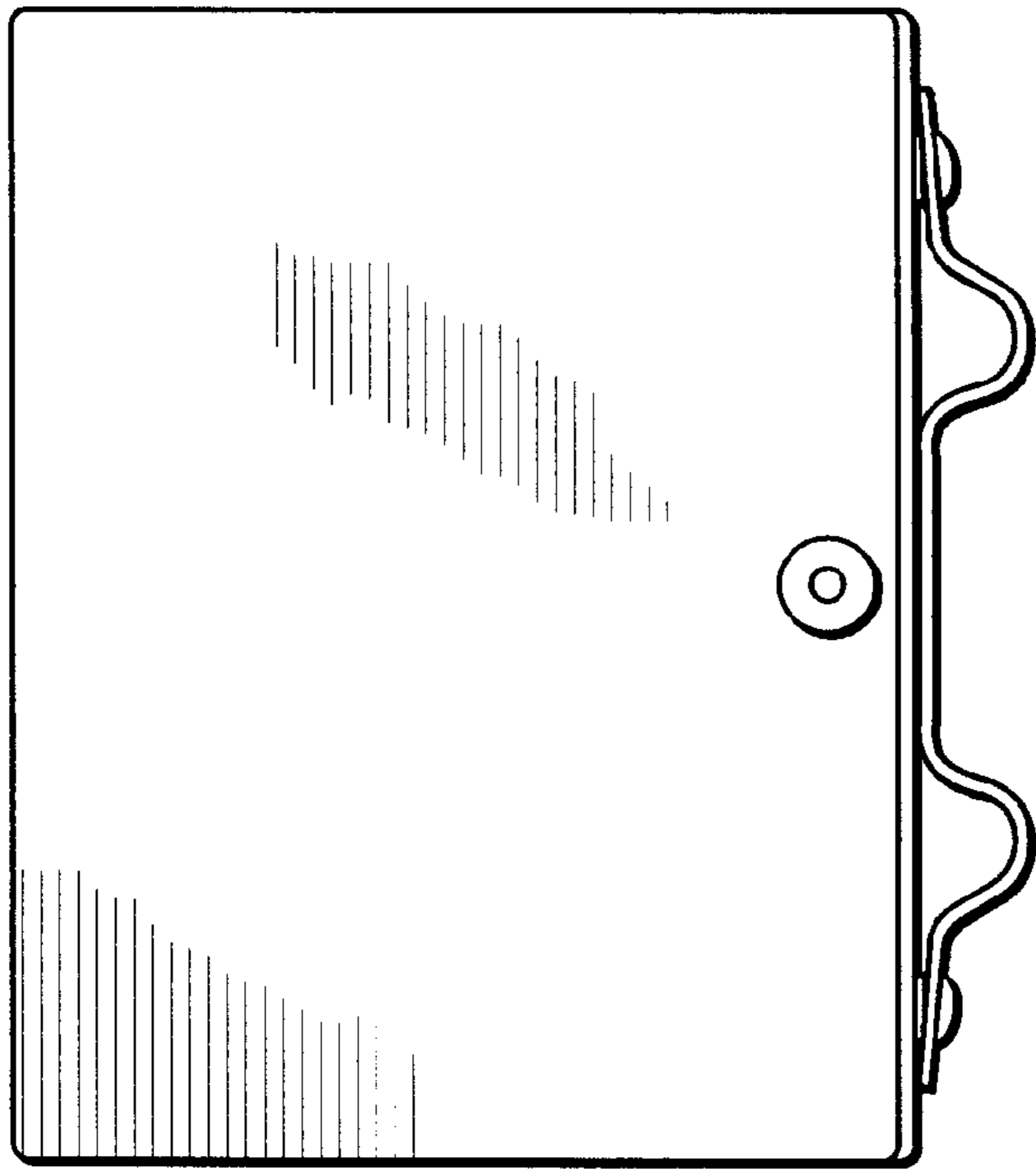


FIG. 4

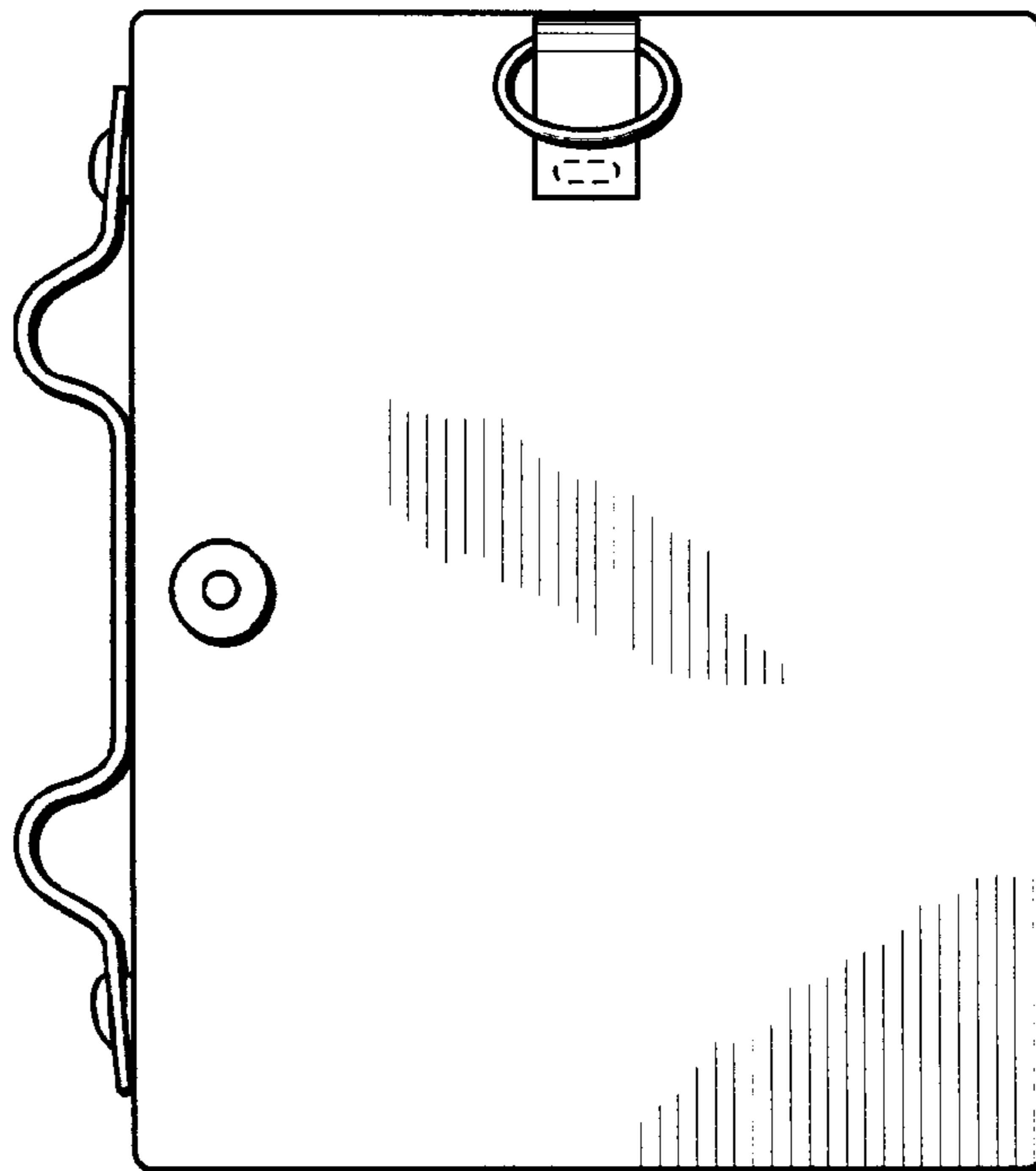


FIG. 5

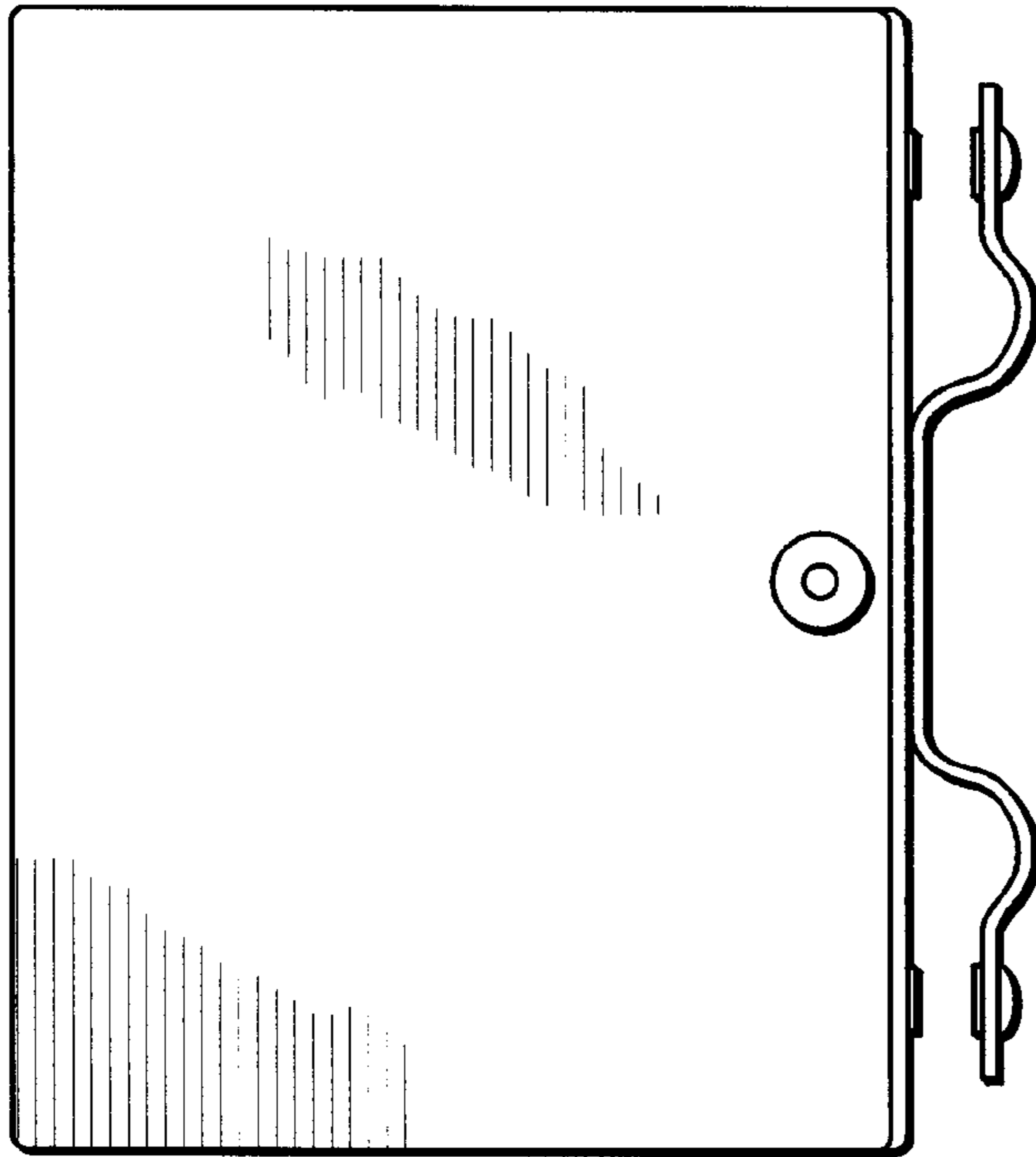


FIG. 6

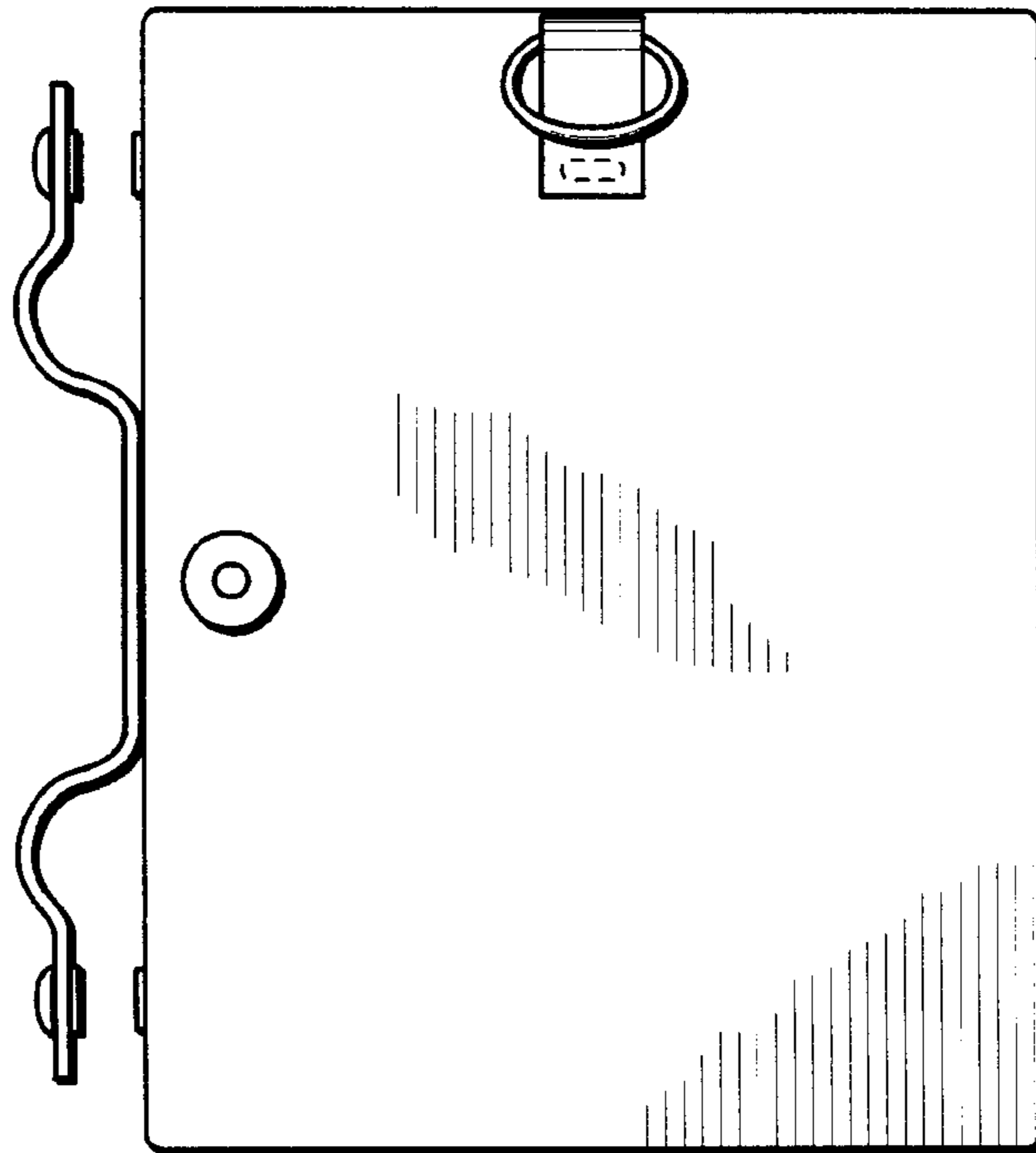


FIG. 7

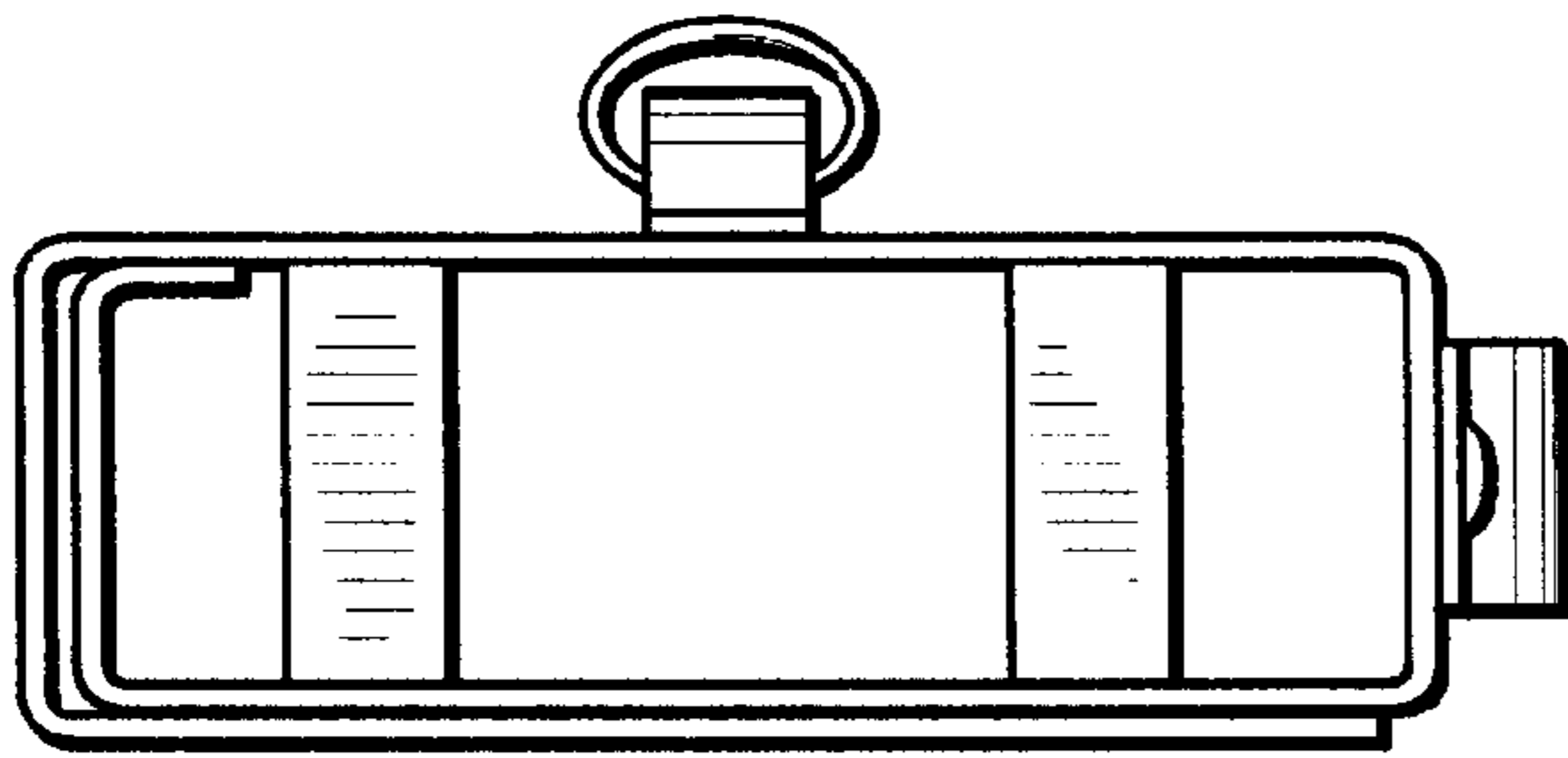


FIG. 8

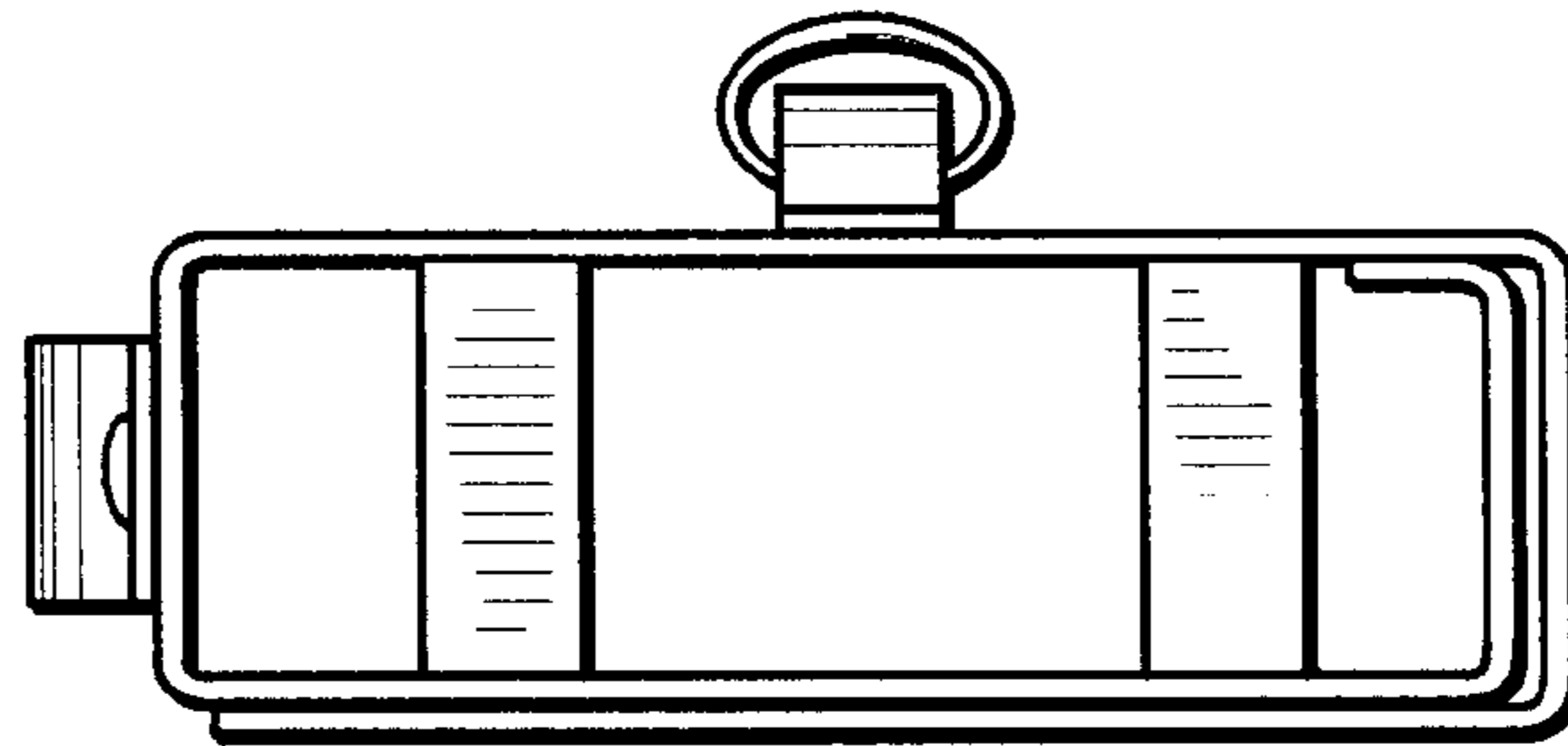


FIG. 9

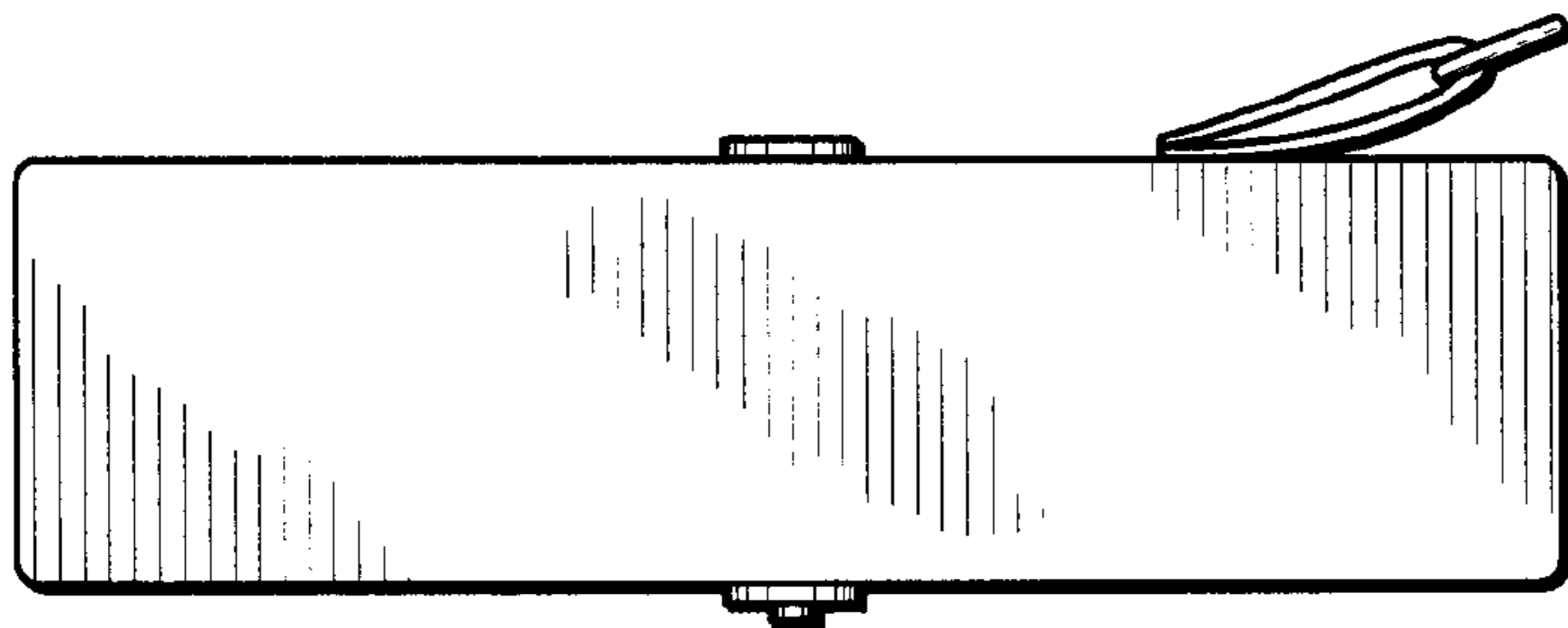


FIG. 10

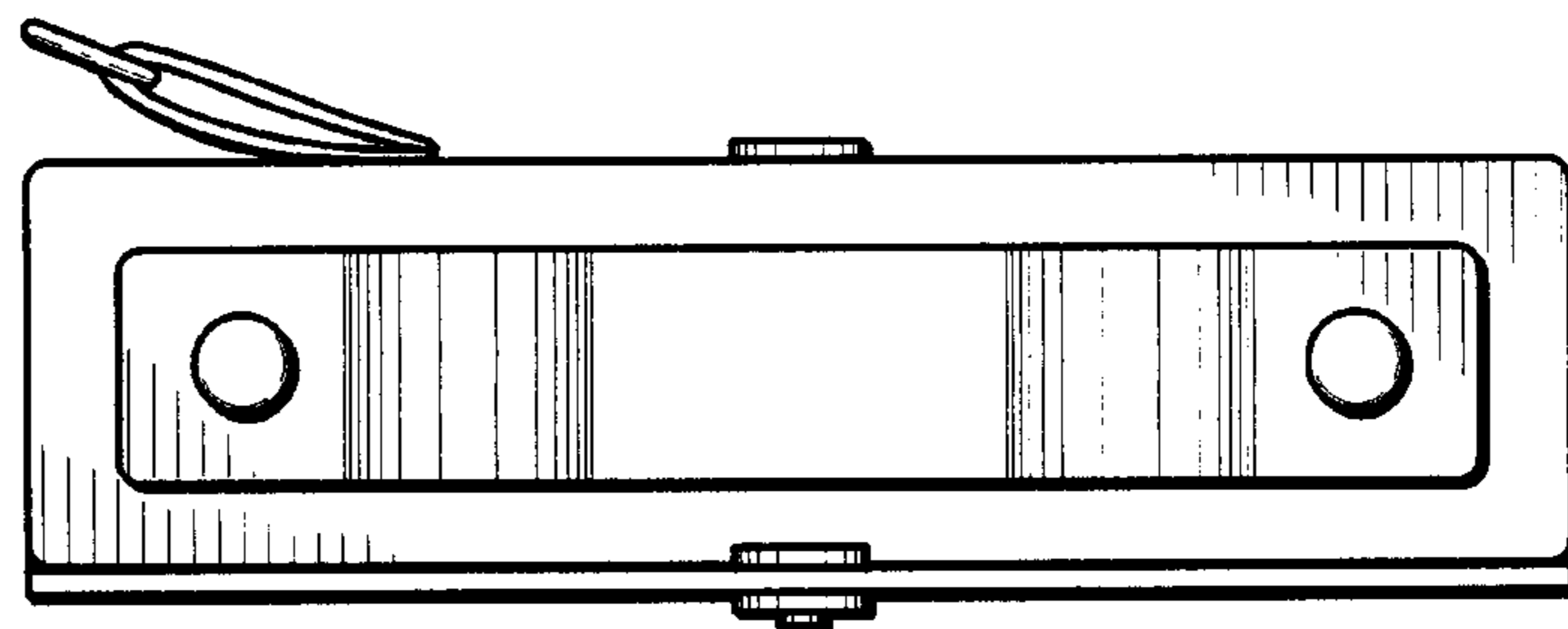


FIG. 11