



US00D519262S

(12) **United States Design Patent**  
**Davis**

(10) **Patent No.:** **US D519,262 S**

(45) **Date of Patent:** **\*\* Apr. 25, 2006**

(54) **CASUAL-WEAR HAT**

(75) **Inventor:** **Gary Edwin Davis**, Rt. 1 Box 48J,  
Morven, NC (US) 28119

(73) **Assignee:** **Gary Edwin Davis**, Morven, NC (US)

(\*\*) **Term:** **14 Years**

(21) **Appl. No.:** **29/198,177**

(22) **Filed:** **Jan. 26, 2004**

(51) **LOC (8) Cl.** ..... **02-03**

(52) **U.S. Cl.** ..... **D2/878**

(58) **Field of Classification Search** ..... D2/865,  
D2/886, 867, 868, 869, 870, 871, 872, 873,  
D2/874, 875, 876, 877, 878, 879, 880, 881,  
D2/882, 883; 2/171, 171.1, 172, 173.5, 200.1,  
2/205

See application file for complete search history.

(56) **References Cited**

**U.S. PATENT DOCUMENTS**

D47,168 S	*	3/1915	Miller	.....	D2/867
1,134,515 A	*	4/1915	Cohoon, Jr.	.....	2/173
D60,272 S	*	1/1922	Slotoroff	.....	D2/889
1,512,128 A	*	10/1924	O'Brien	.....	2/172

1,639,468 A	*	8/1927	Rosenberg et al.	.....	2/172
1,957,206 A	*	5/1934	Goldstein	.....	2/172
2,199,473 A	*	5/1940	Wengen	.....	2/172
4,023,212 A	*	5/1977	Huffman	.....	2/195.2
4,951,319 A	*	8/1990	Phillips et al.	.....	2/172
5,309,574 A	*	5/1994	Balaban et al.	.....	2/202
6,237,162 B1	*	5/2001	Gill	.....	2/422
D443,405 S	*	6/2001	Quiroz	.....	D2/869
D483,927 S	*	12/2003	Appleberry	.....	D2/882

\* cited by examiner

*Primary Examiner*—Jeffrey Asch  
*Assistant Examiner*—Elizabeth Albert

(57) **CLAIM**

The ornamental design for a casual-wear hat, as shown and described.

**DESCRIPTION**

FIG. 1 is a front view of a casual-wear hat showing my new design;

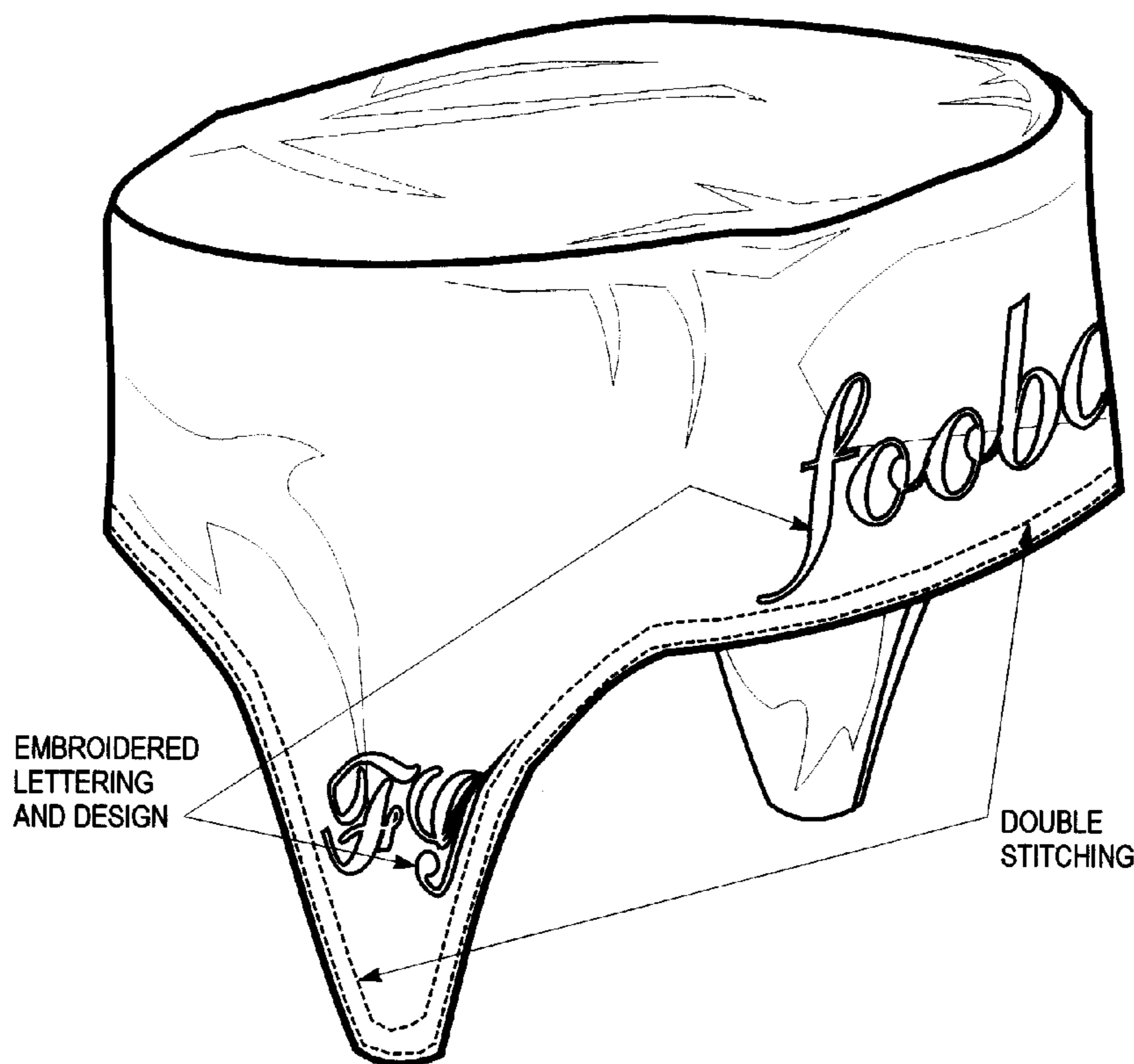
FIG. 2 is a rear view thereof;

FIG. 3 is a left side view thereof; and,

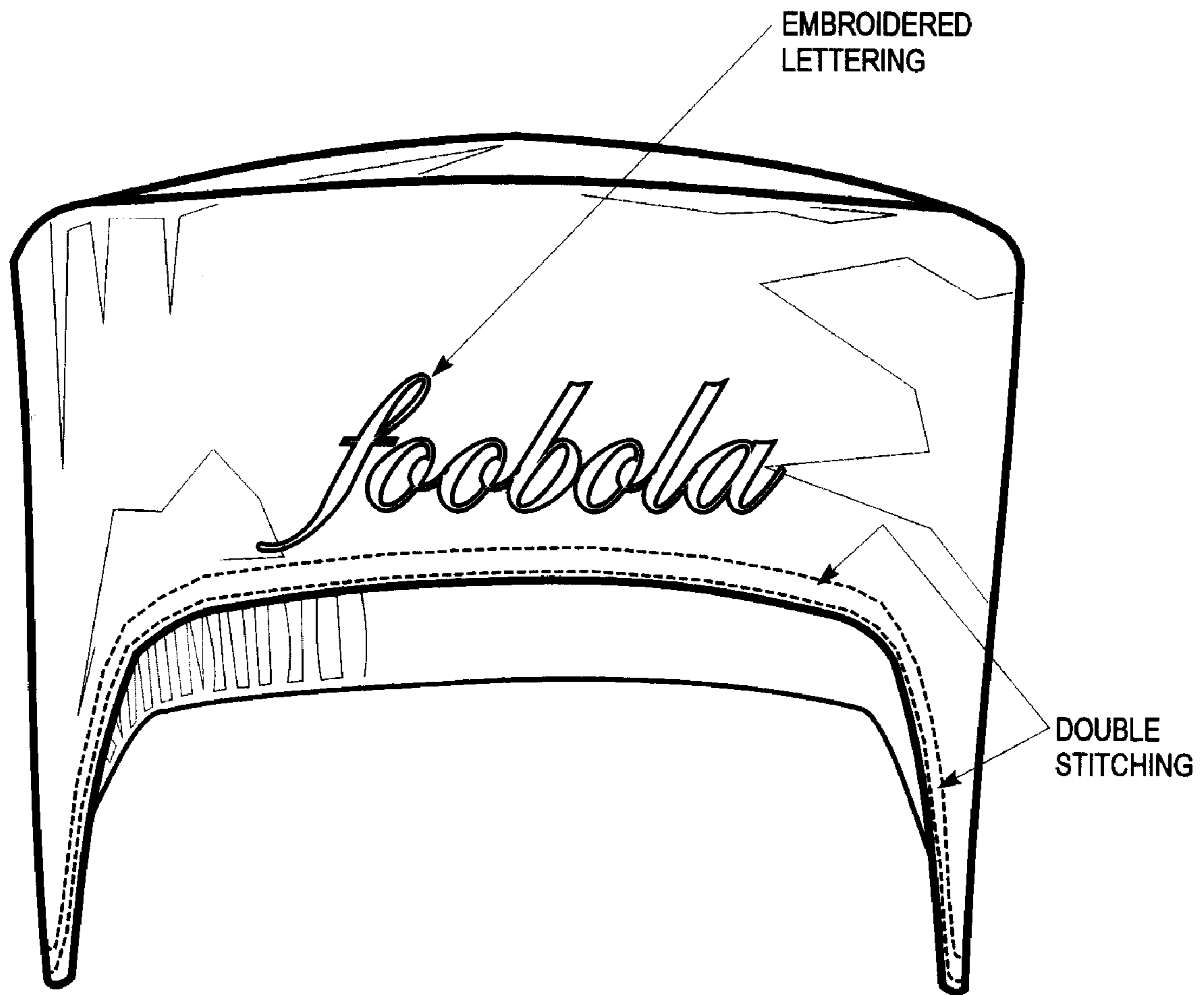
FIG. 4 is a side perspective view thereof.

The broken lines on the casual-wear hat represent lines of stitching.

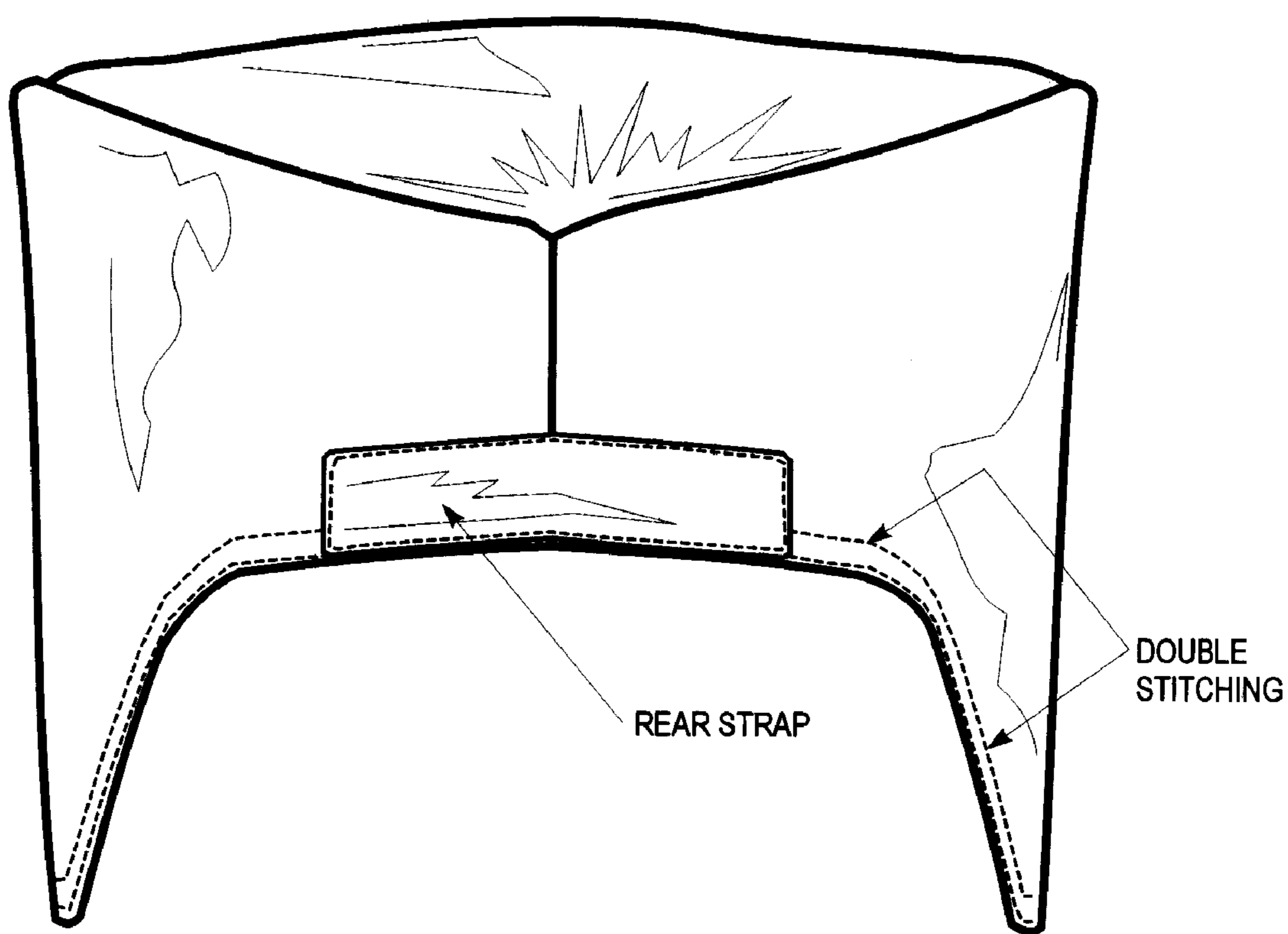
**1 Claim, 4 Drawing Sheets**



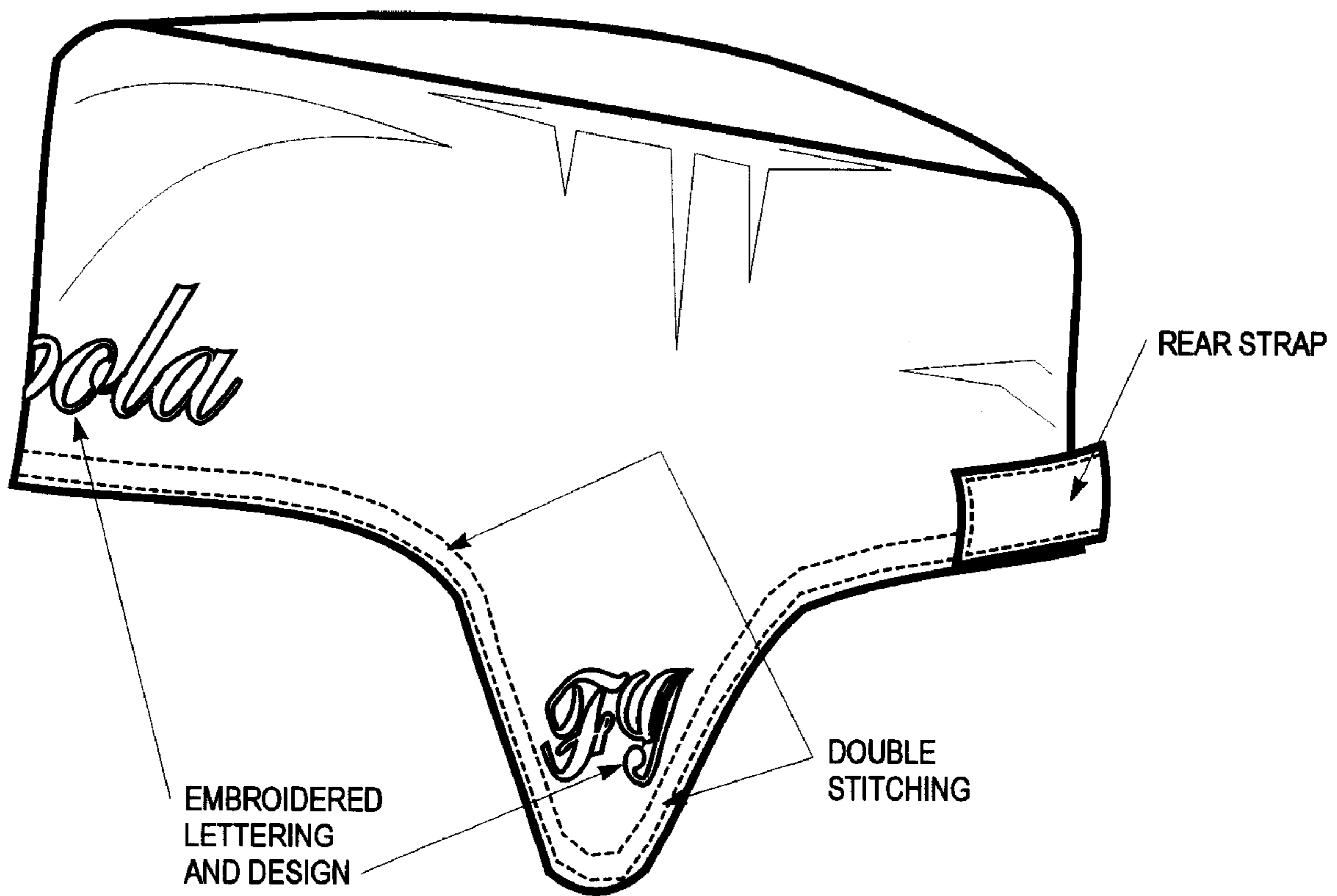
**SIDE PERSPECTIVE VIEW**



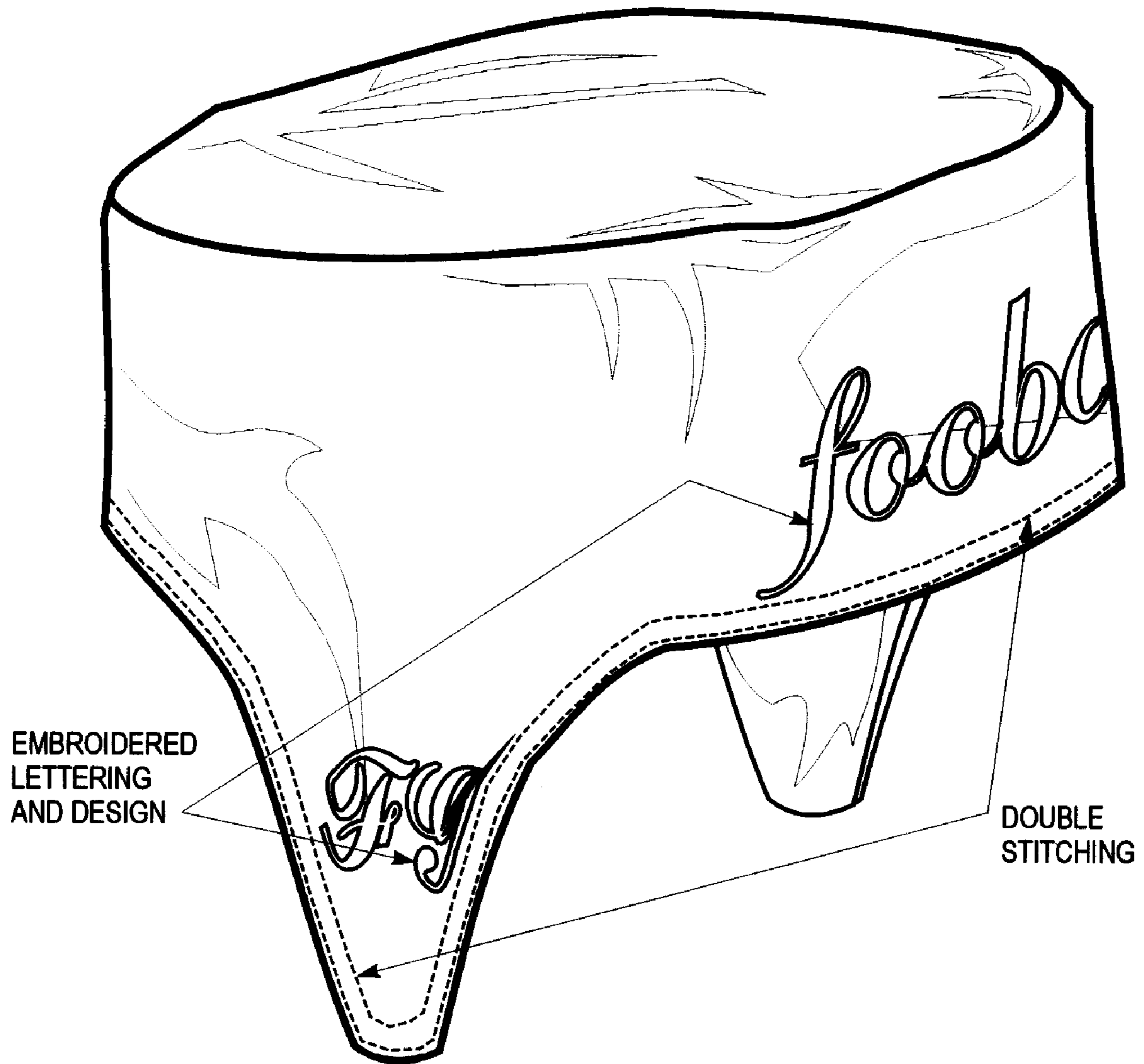
FRONT VIEW  
FIGURE 1



REAR VIEW  
FIGURE 2



SIDE VIEW  
FIGURE 3



SIDE PERSPECTIVE VIEW  
FIGURE 4