



US00D519259S

(12) **United States Design Patent**
Lee et al.

(10) **Patent No.:** **US D519,259 S**
(45) **Date of Patent:** **** Apr. 18, 2006**

(54) **COIN SORTER**

(75) Inventors: **Jong Suk Lee**, Siheung-si (KR); **Ben Zhong Li**, Sandongsung (KR)

(73) Assignee: **Royal Sovereign Inc.**, Incheon-Si (KR)

(**) Term: **14 Years**

(21) Appl. No.: **29/223,474**

(22) Filed: **Feb. 15, 2005**

(30) **Foreign Application Priority Data**

Sep. 20, 2004 (KR) 30-2004-0029116

(51) **LOC (8) Cl.** **99-00**

(52) **U.S. Cl.** **D99/34**

(58) **Field of Classification Search** D99/34,
D99/35, 36, 37; D18/3.1, 12.1–12.3; 453/2,
453/3, 4, 9, 12, 13, 14, 15, 17, 30, 32, 34,
453/41, 44, 56–58, 61; 194/317, 326, 334;
221/92; 232/4 R; 446/10

See application file for complete search history.

(56) **References Cited**

U.S. PATENT DOCUMENTS

2,250,047 A * 7/1941 Mills 194/326

3,295,247 A * 1/1967 Lerner 446/10
D283,075 S * 3/1986 Spirk et al. D99/34
RE36,966 E * 11/2000 Perkitny 453/9
D445,990 S * 7/2001 Knox et al. D99/34
D481,519 S * 10/2003 Lee D99/34

* cited by examiner

Primary Examiner—Paula A. Greene

(74) *Attorney, Agent, or Firm*—McKenna Long & Aldridge LLP

(57) **CLAIM**

We claim the ornamental design for the coin sorter, as shown and described.

DESCRIPTION

FIG. 1 is a perspective view of a coin sorter showing our new design;

FIG. 2 is a front view thereof;

FIG. 3 is a rear view thereof;

FIG. 4 is a left side view thereof;

FIG. 5 is a right side view thereof;

FIG. 6 is a top view thereof; and,

FIG. 7 is a bottom view thereof.

1 Claim, 4 Drawing Sheets

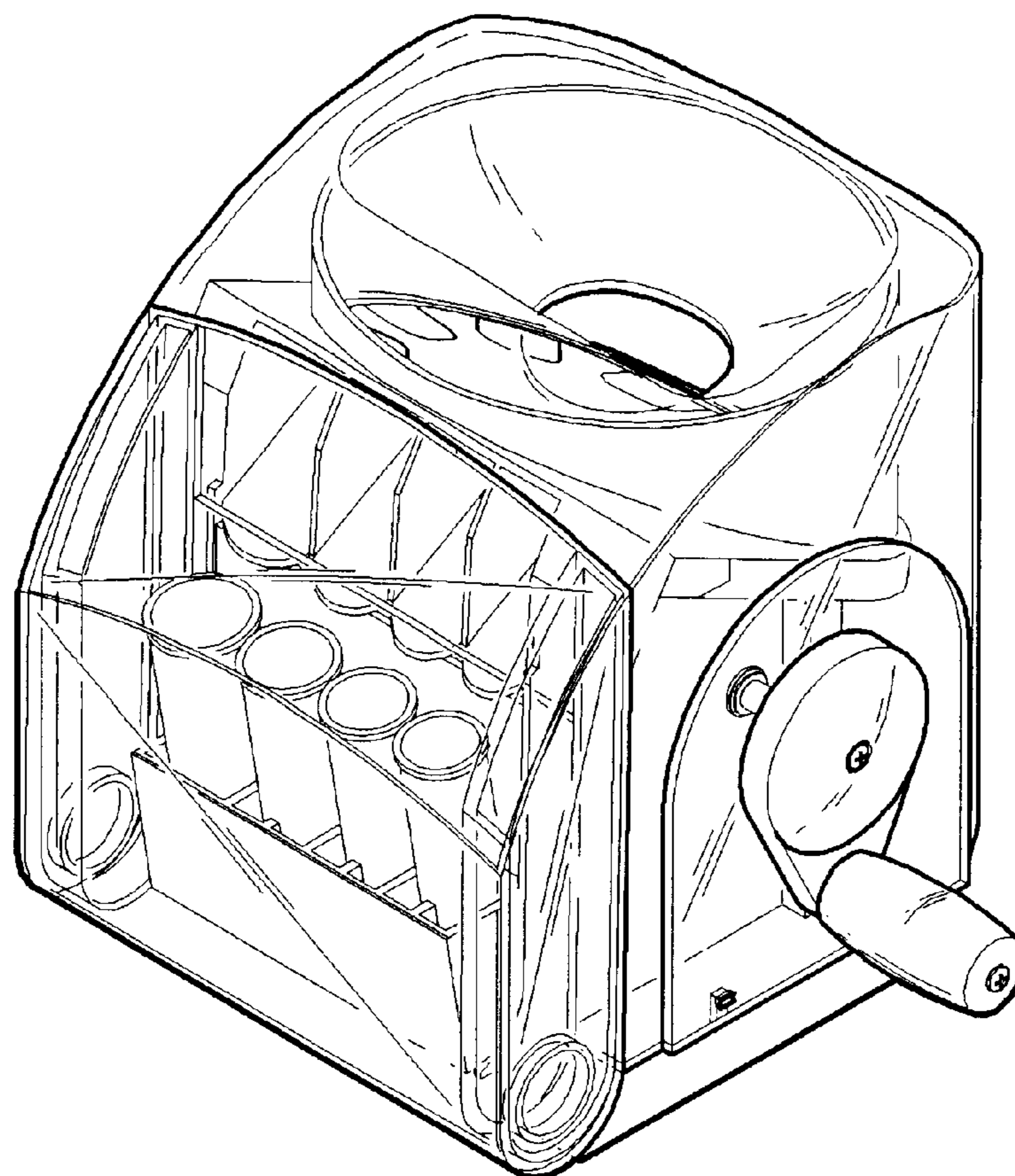


FIG. 1

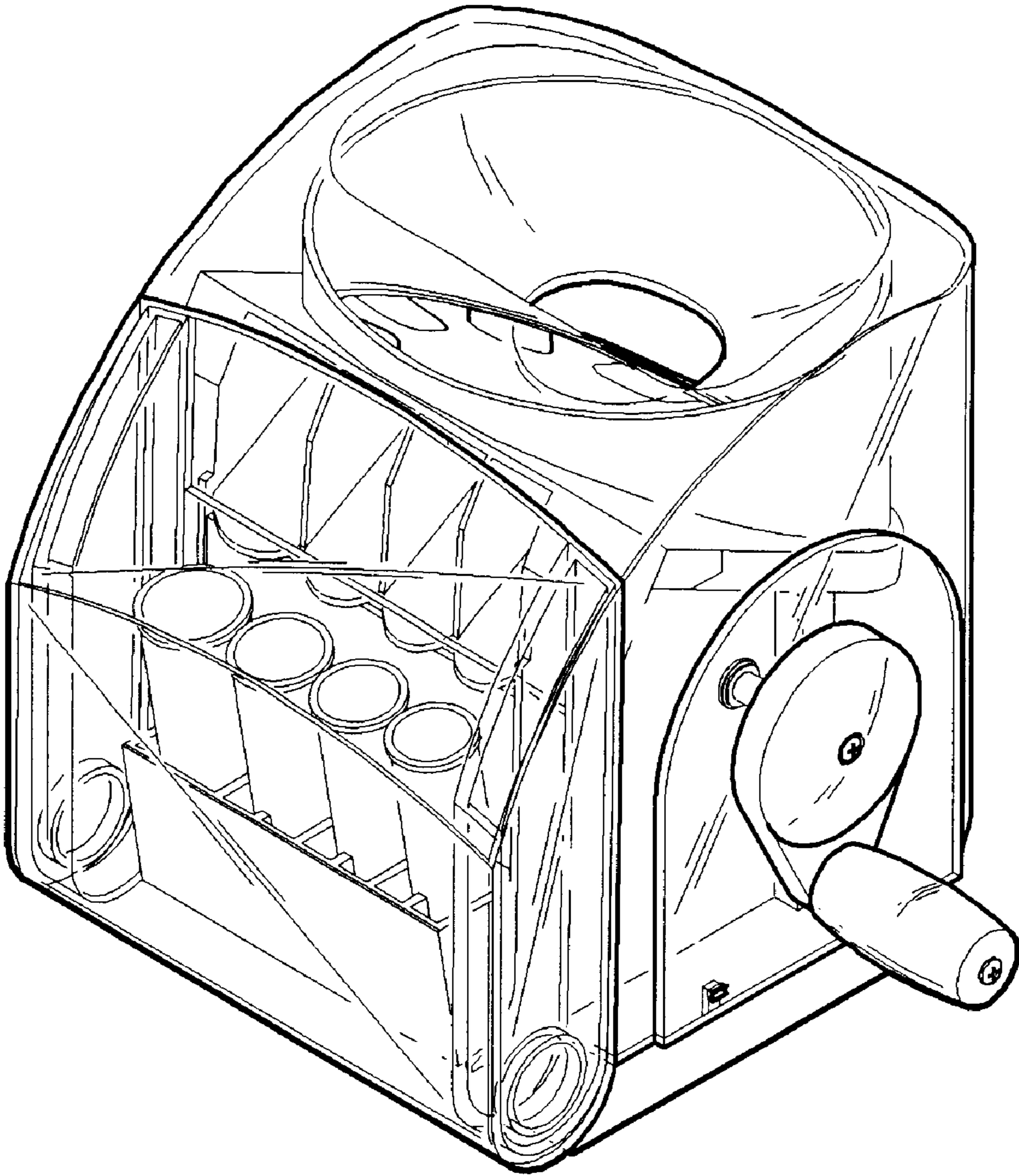


FIG. 2

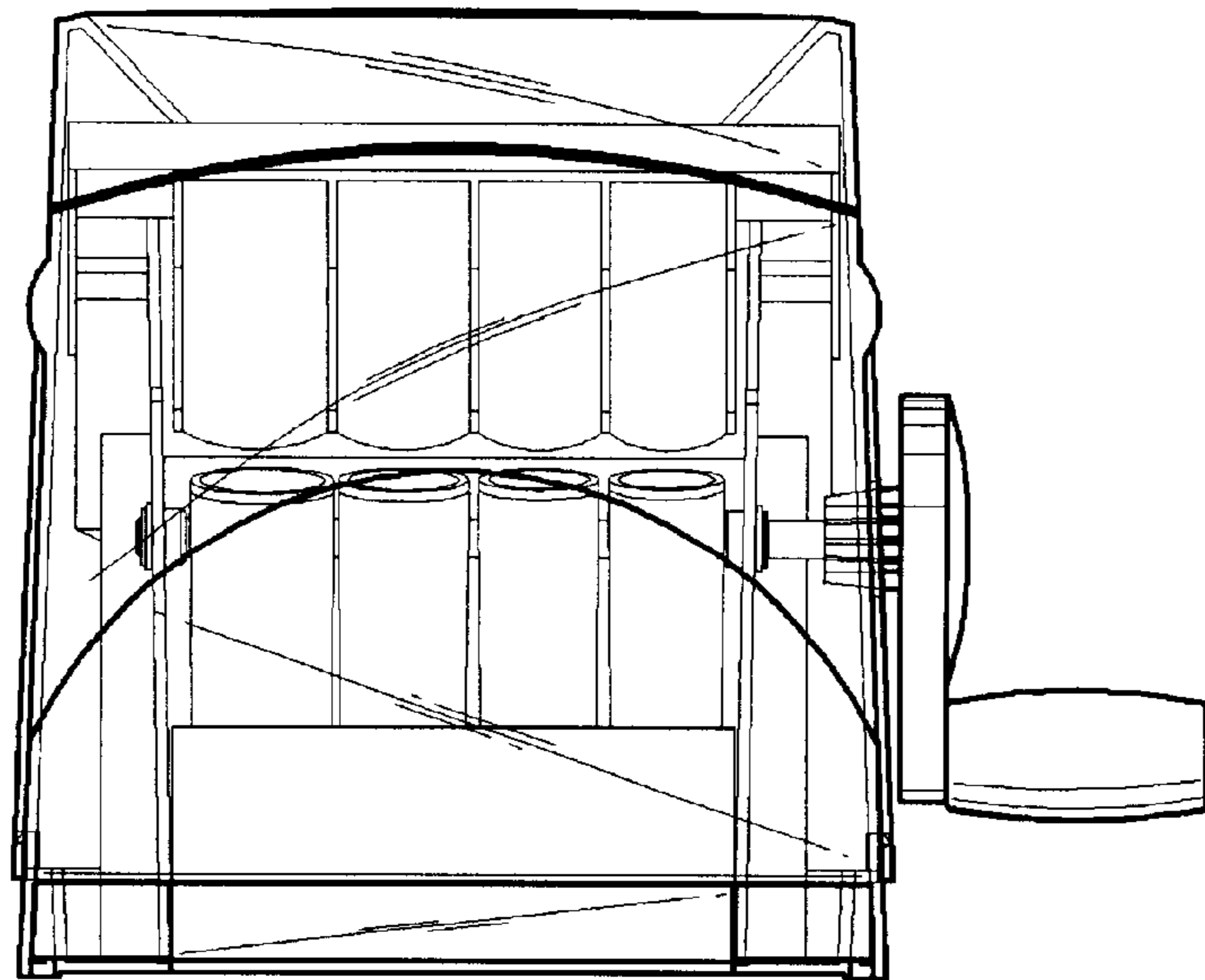


FIG. 3

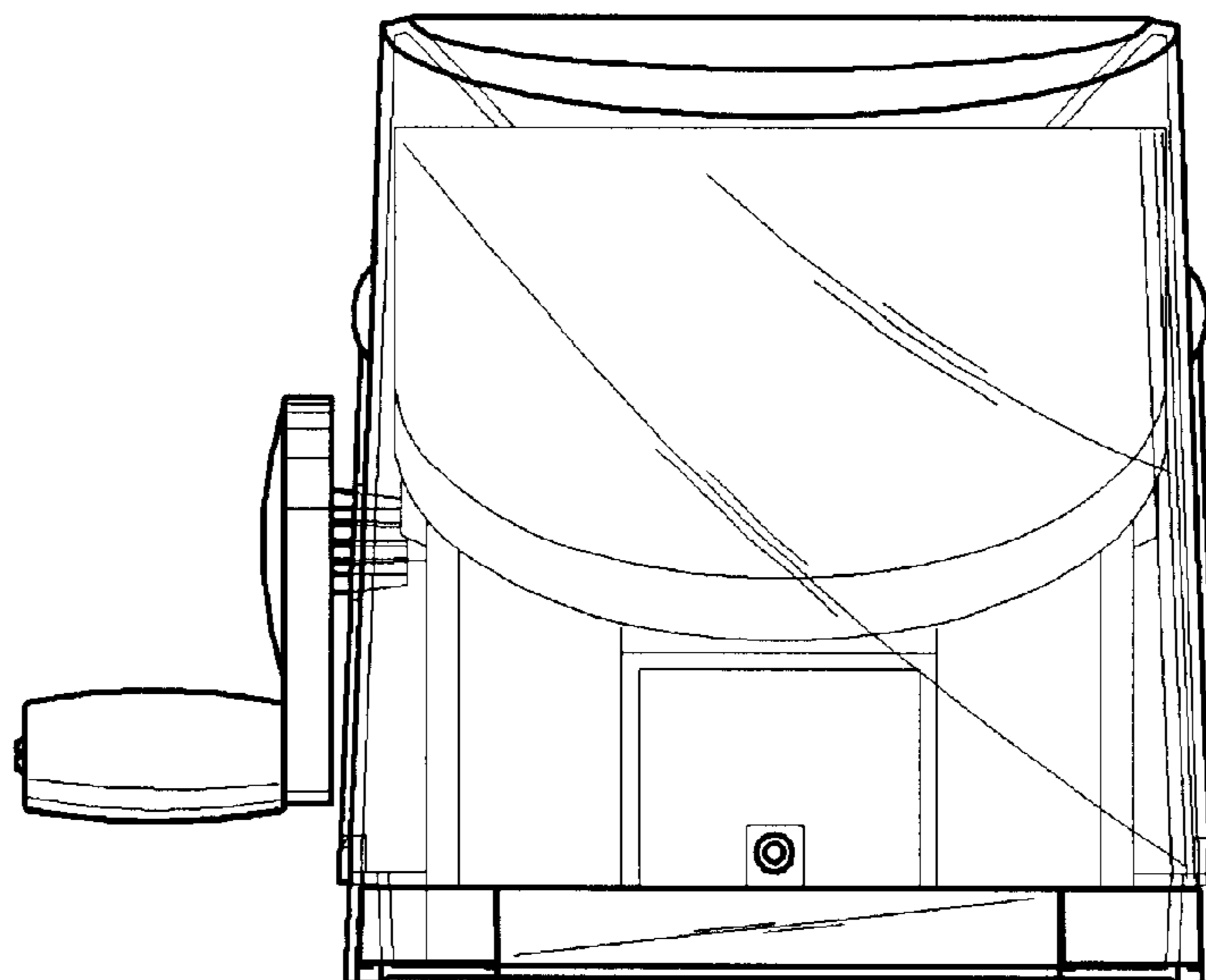


FIG. 4

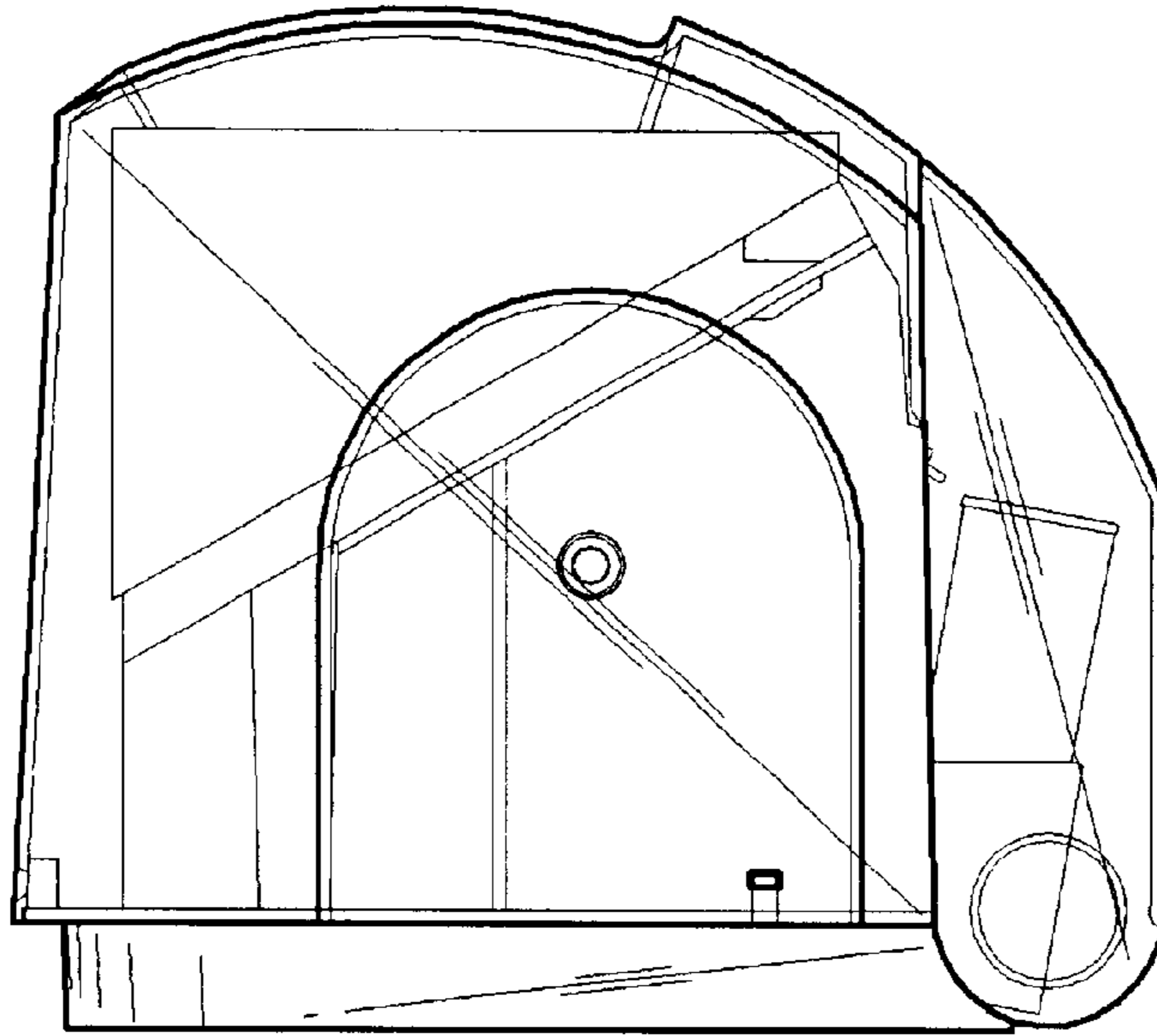


FIG. 5

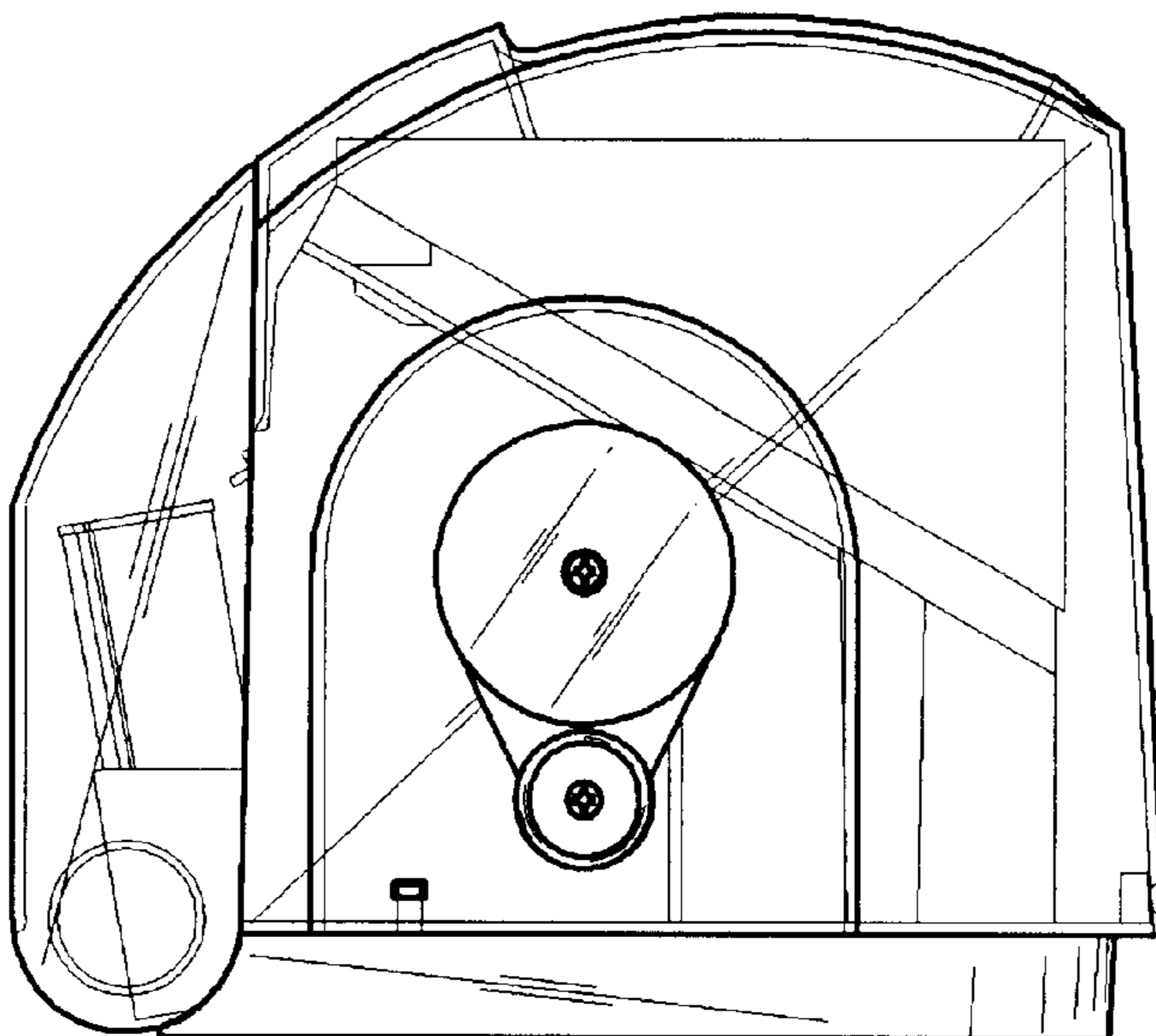


FIG. 6

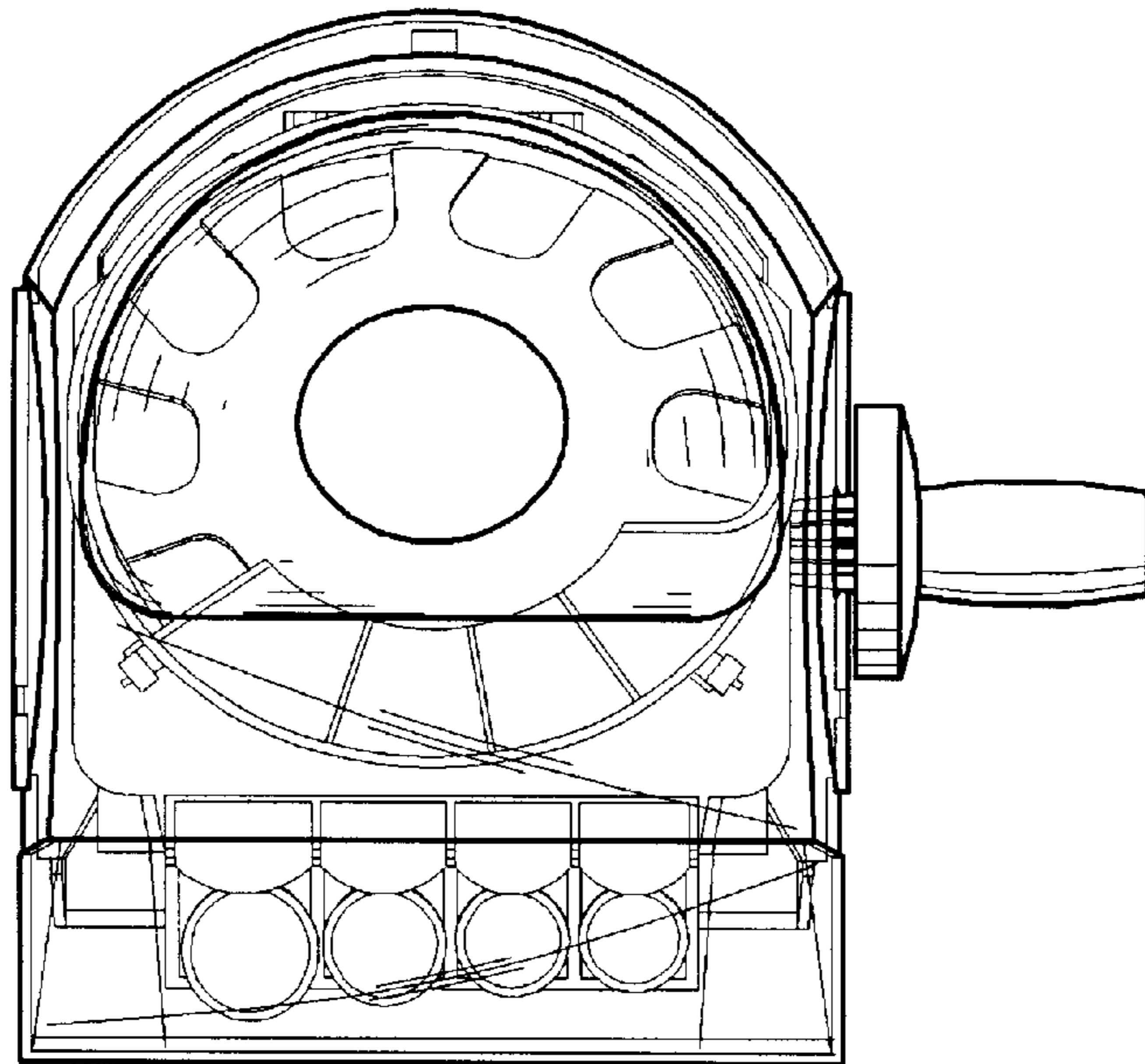


FIG. 7

