



US00D519257S

(12) **United States Design Patent**
de Winter

(10) **Patent No.:** **US D519,257 S**

(45) **Date of Patent:** **** Apr. 18, 2006**

(54) **COMPACTING LID FOR A REFUSE CONTAINER**

(75) Inventor: **Koen de Winter**, Montreal (CA)

(73) Assignee: **Garbage Genie Concept 2000 Limited**, Dublin (IL)

(**) Term: **14 Years**

(21) Appl. No.: **29/185,979**

(22) Filed: **Jul. 7, 2003**

(30) **Foreign Application Priority Data**

Jan. 6, 2003	(IE)	2003/0005
Jan. 6, 2003	(IE)	2003/0004

(51) **LOC (8) Cl.** **09-09**

(52) **U.S. Cl.** **D34/11**

(58) **Field of Classification Search** D34/1,
D34/5, 6, 10, 11; 220/908, 909, 910, 214,
220/250, 252, 254, 260, 263

See application file for complete search history.

(56) **References Cited**

U.S. PATENT DOCUMENTS

D293,843	S	*	1/1988	Kroll et al.	D34/8
D318,354	S	*	7/1991	Delmerico	D34/7
D331,134	S	*	11/1992	Hradisky	D34/11
D351,705	S	*	10/1994	Bird et al.	D34/11
5,611,450	A	*	3/1997	DeMars	220/212
D391,728	S	*	3/1998	Delmerico	D34/11
D391,729	S	*	3/1998	Delmerico	D34/11
D407,881	S	*	4/1999	Delmerico	D34/11
D411,677	S	*	6/1999	Kennamer	D34/10
D414,588	S	*	9/1999	Mires	D34/11
D482,834	S	*	11/2003	Bennett	D34/11

* cited by examiner

Primary Examiner—Cynthia E. Ramirez

(74) *Attorney, Agent, or Firm*—Porter, Wright, Morris & Arthur, LLP

(57) **CLAIM**

The ornamental design for a compacting lid for a refuse container, as shown and described.

DESCRIPTION

FIG. 1 is a front/left perspective view of a compacting lid for a refuse container showing my new design;

FIG. 2 is a rear/right perspective view of the compacting lid for a refuse container of FIG. 1;

FIG. 3 is a bottom perspective view of the compacting lid for a refuse container of FIGS. 1 and 2;

FIG. 4 is a top plan view of the compacting lid for a refuse container of FIGS. 1 to 3;

FIG. 5 is a bottom plan view of the compacting lid for a refuse container of FIGS. 1 to 4;

FIG. 6 is a rear elevational view of the compacting lid for a refuse container of FIGS. 1 to 5;

FIG. 7 is a front elevational view of the compacting lid for a refuse container of FIGS. 1 to 6;

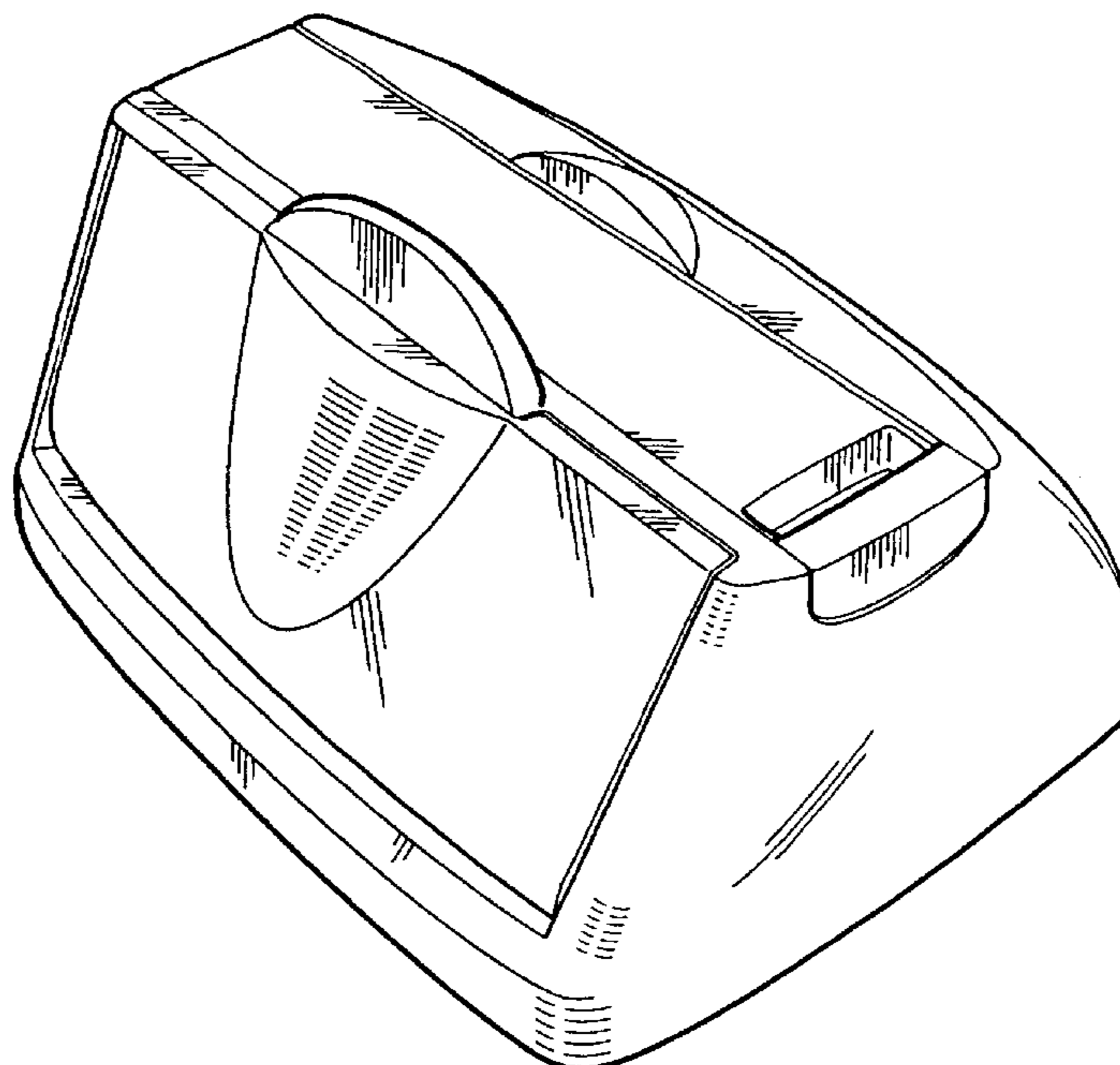
FIG. 8 is a left side elevational view of the compacting lid for a refuse container of FIGS. 1 to 7;

FIG. 9 is a right side elevational view of the compacting lid for a refuse container of FIGS. 1 to 8;

FIG. 10 is a front/left perspective view of the compacting lid for a refuse container of FIGS. 1 to 9 similar to FIG. 1 but showing a compactor extended; and,

FIG. 11 is a front/right perspective view of the compacting lid for a refuse container of FIGS. 1 to 10 but with a door open.

1 Claim, 11 Drawing Sheets



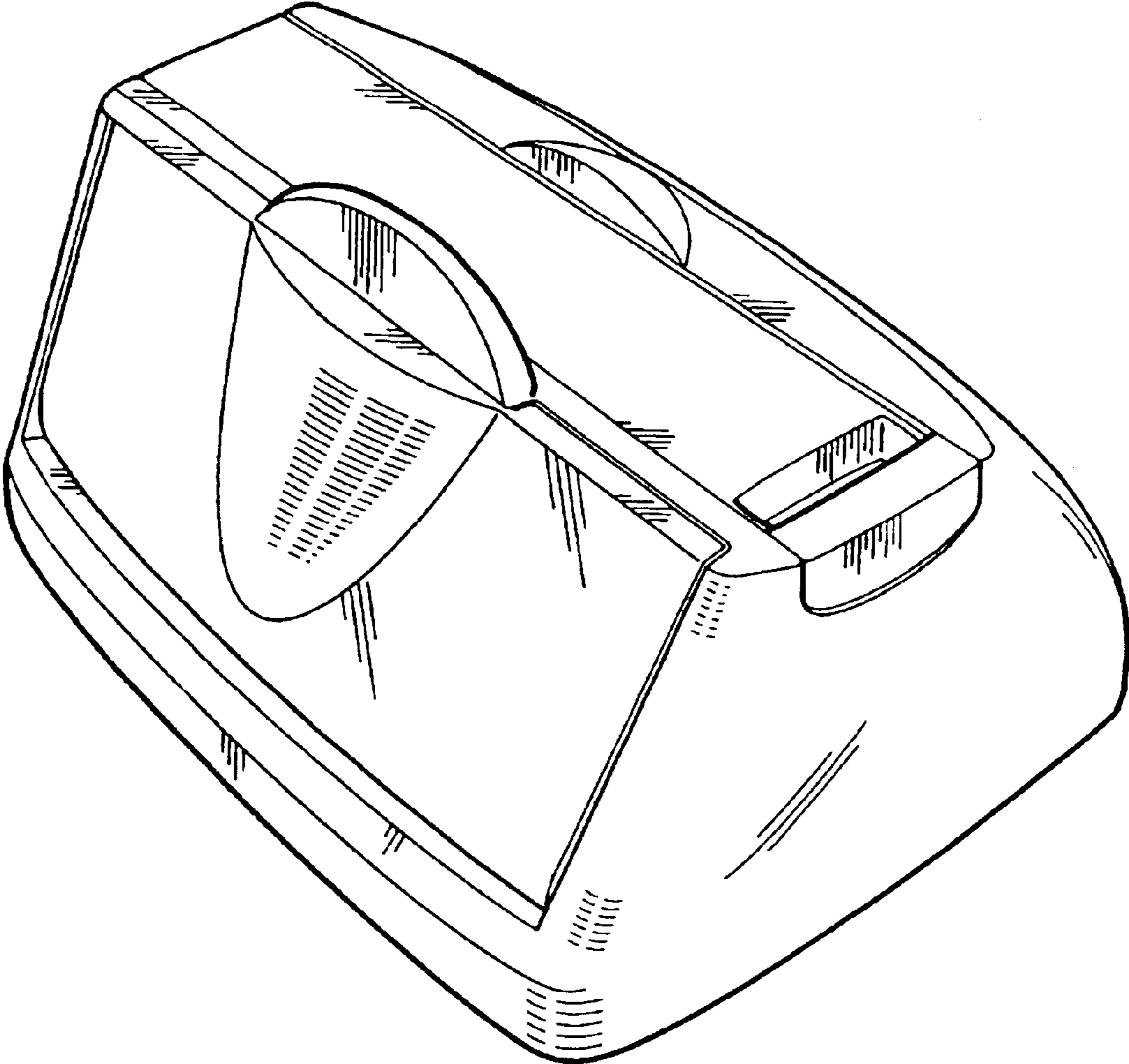


FIG. 1

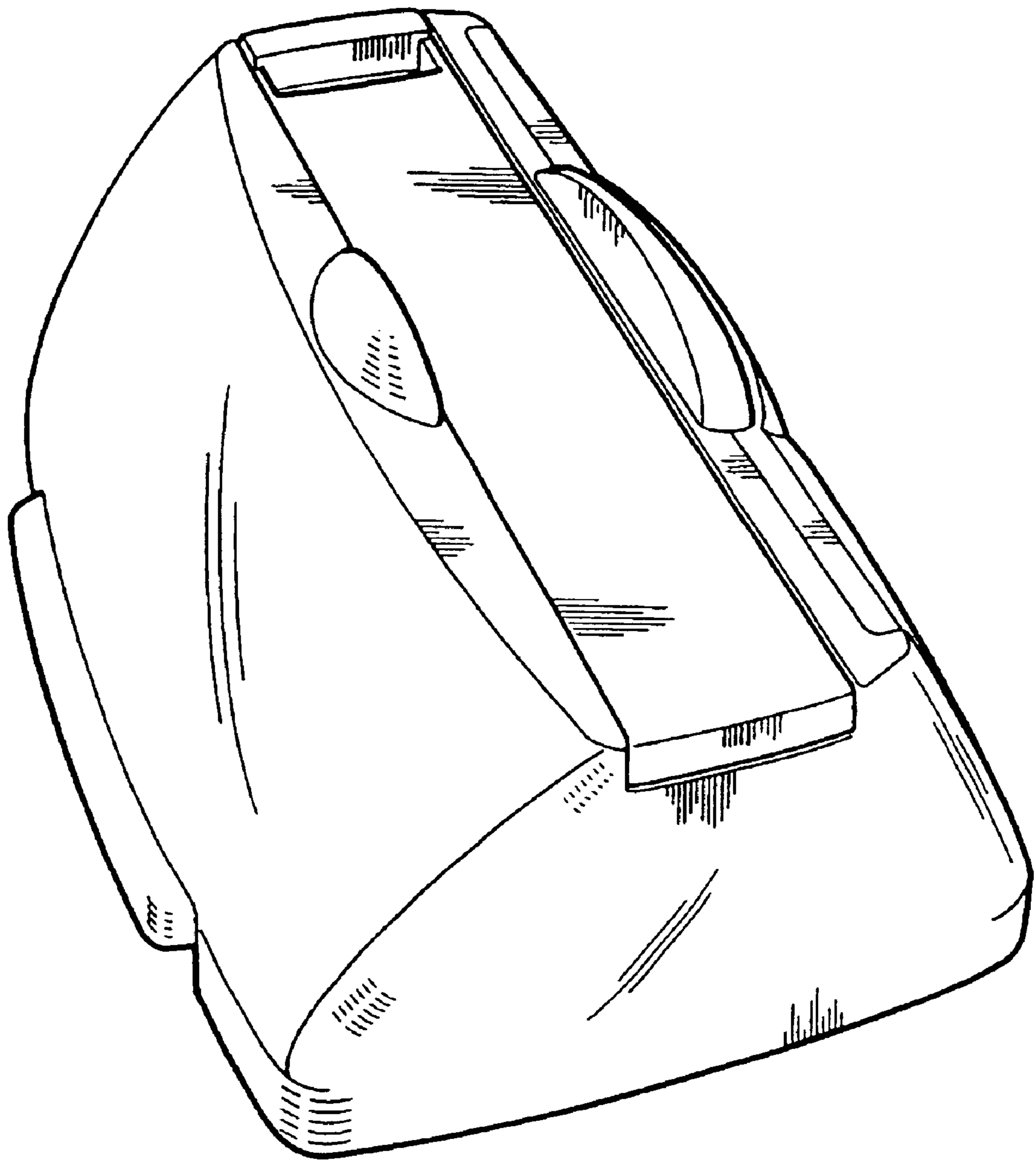


FIG. 2

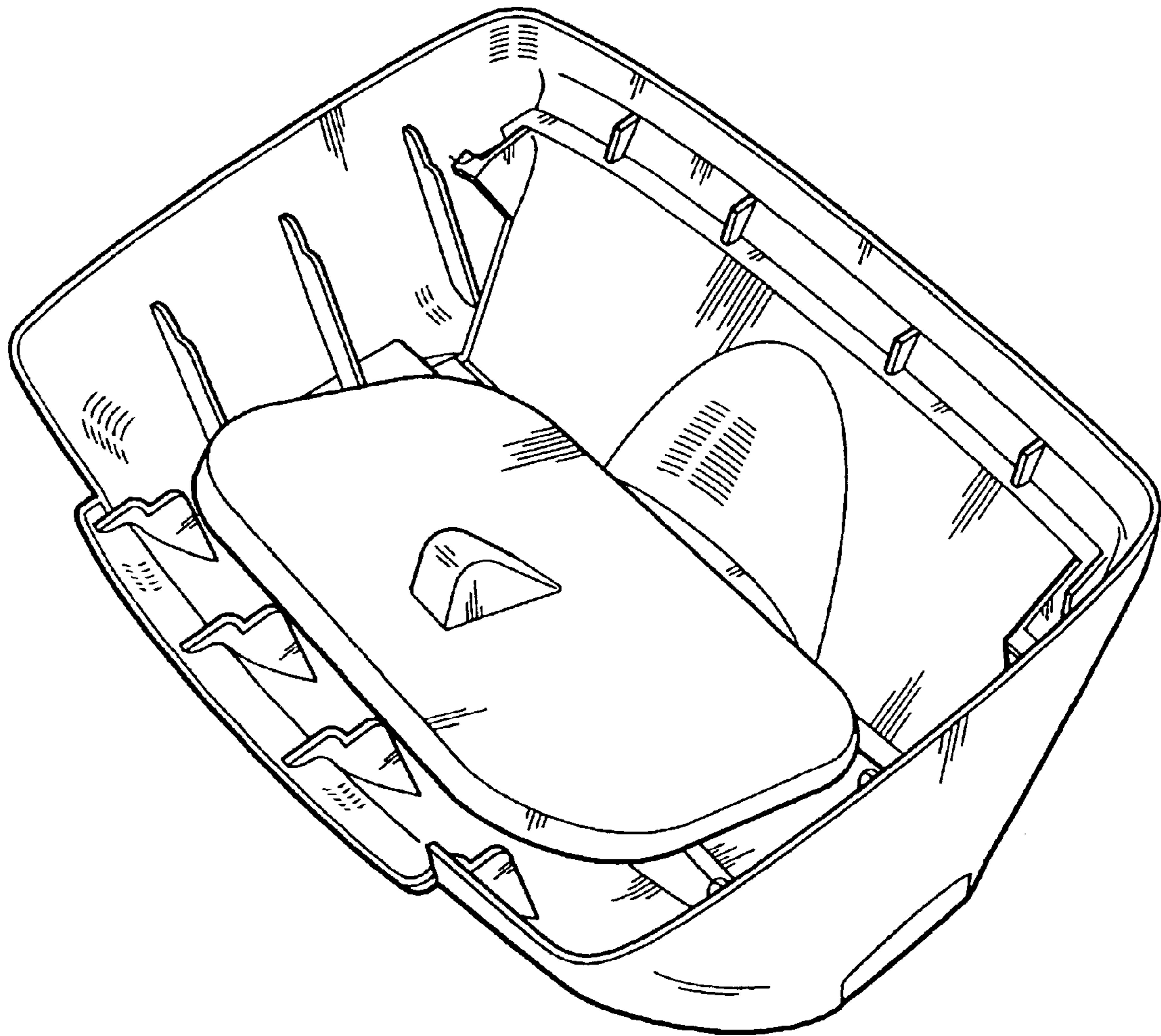


FIG. 3

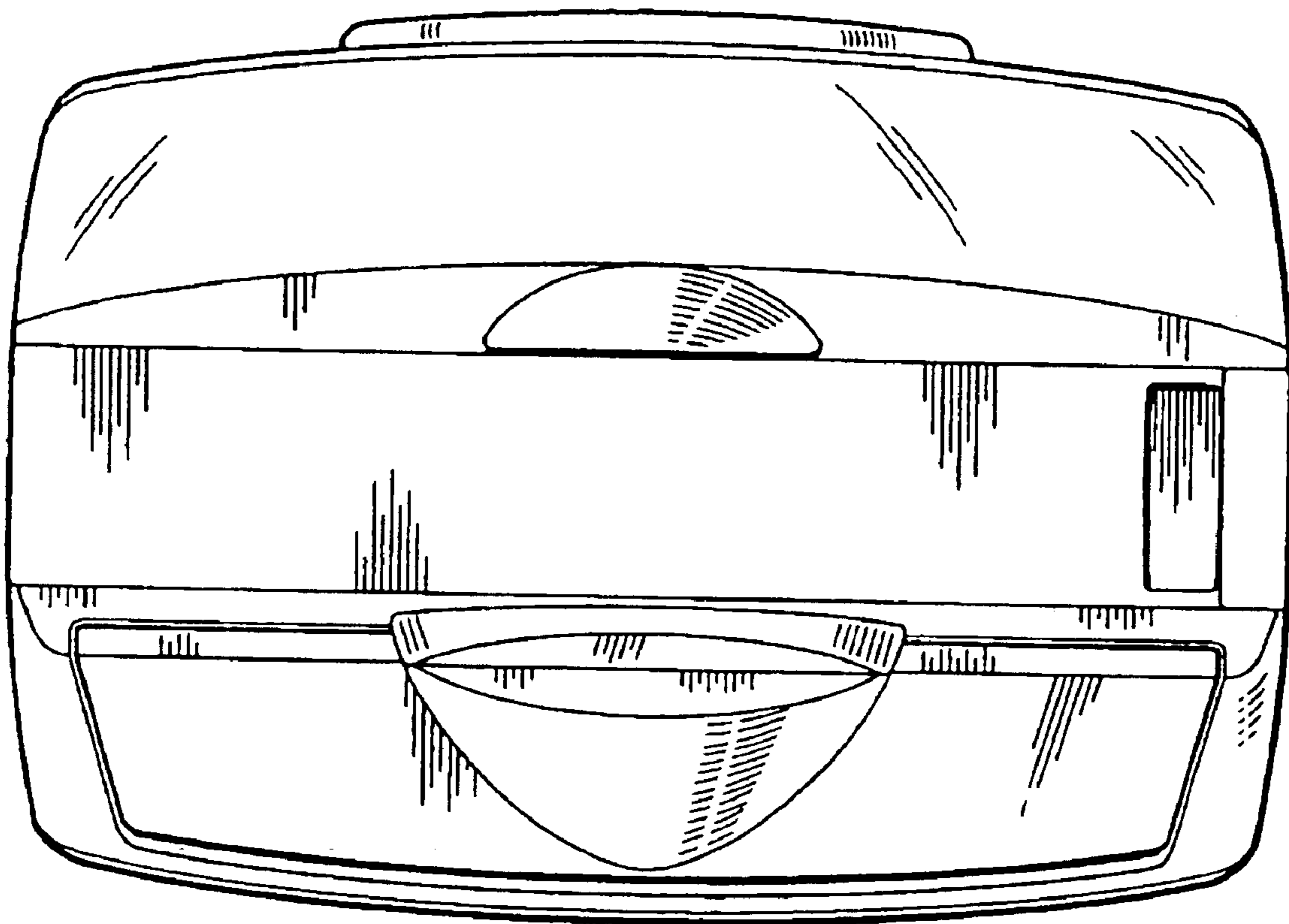


FIG. 4

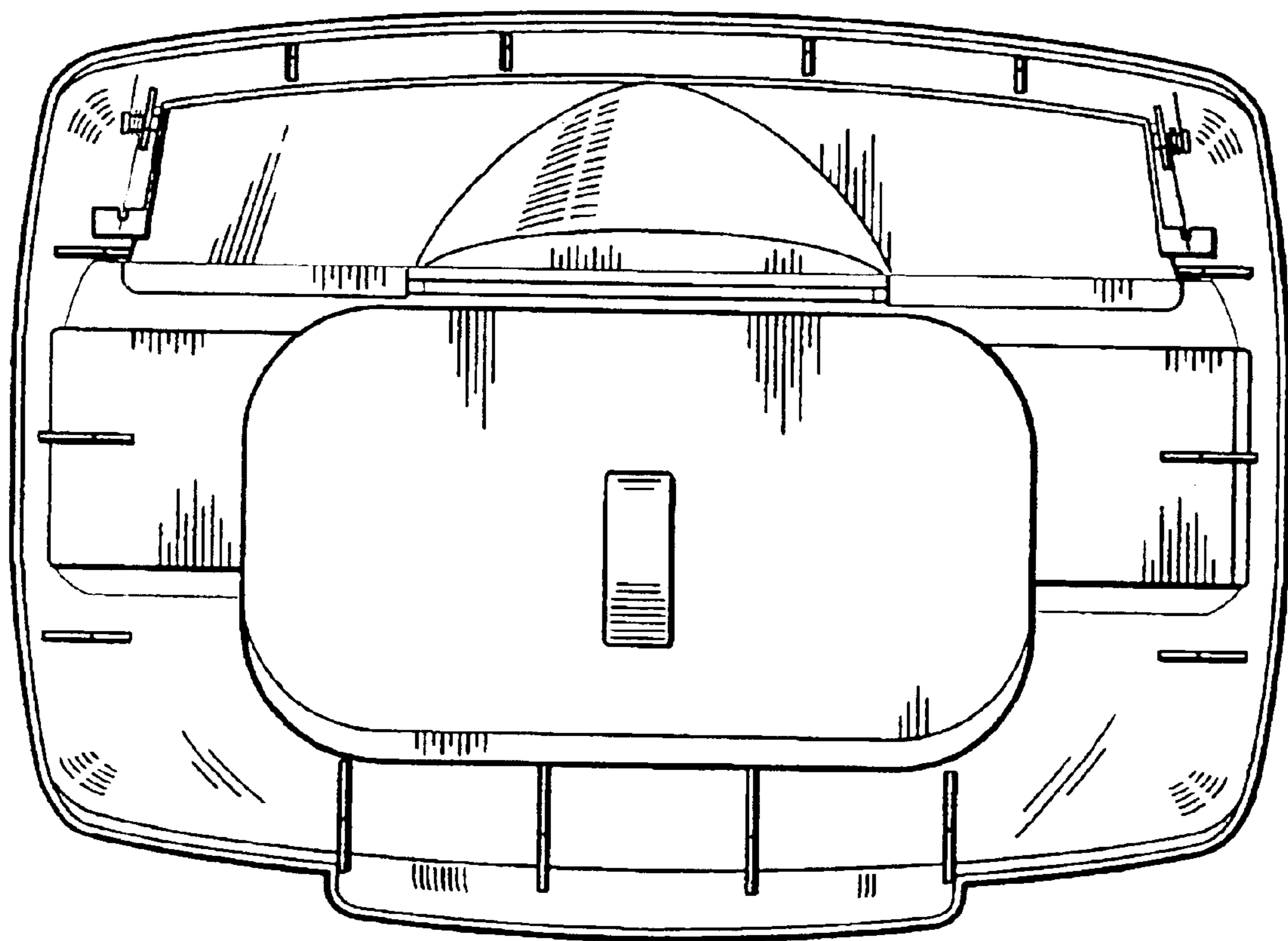


FIG. 5

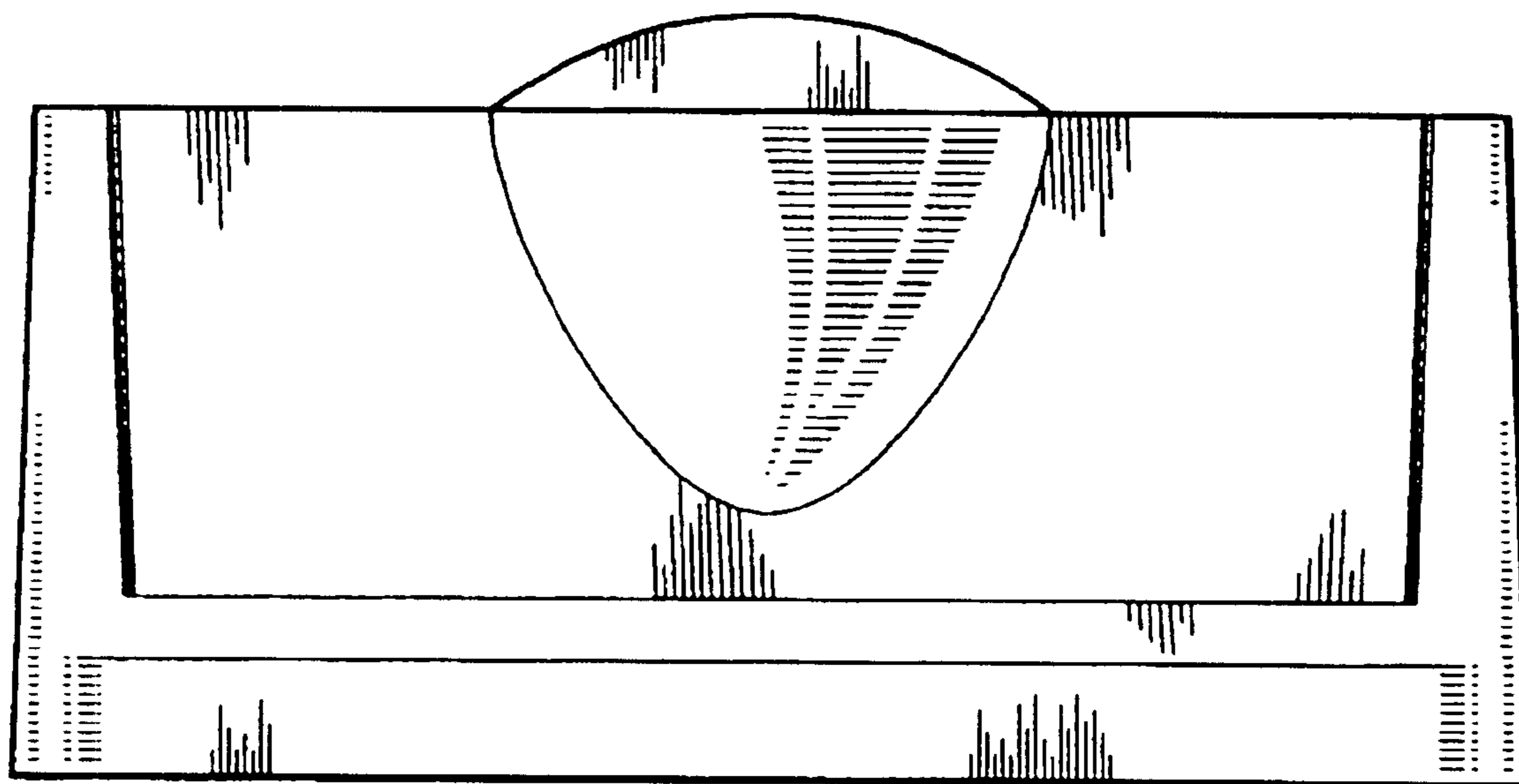


FIG. 6

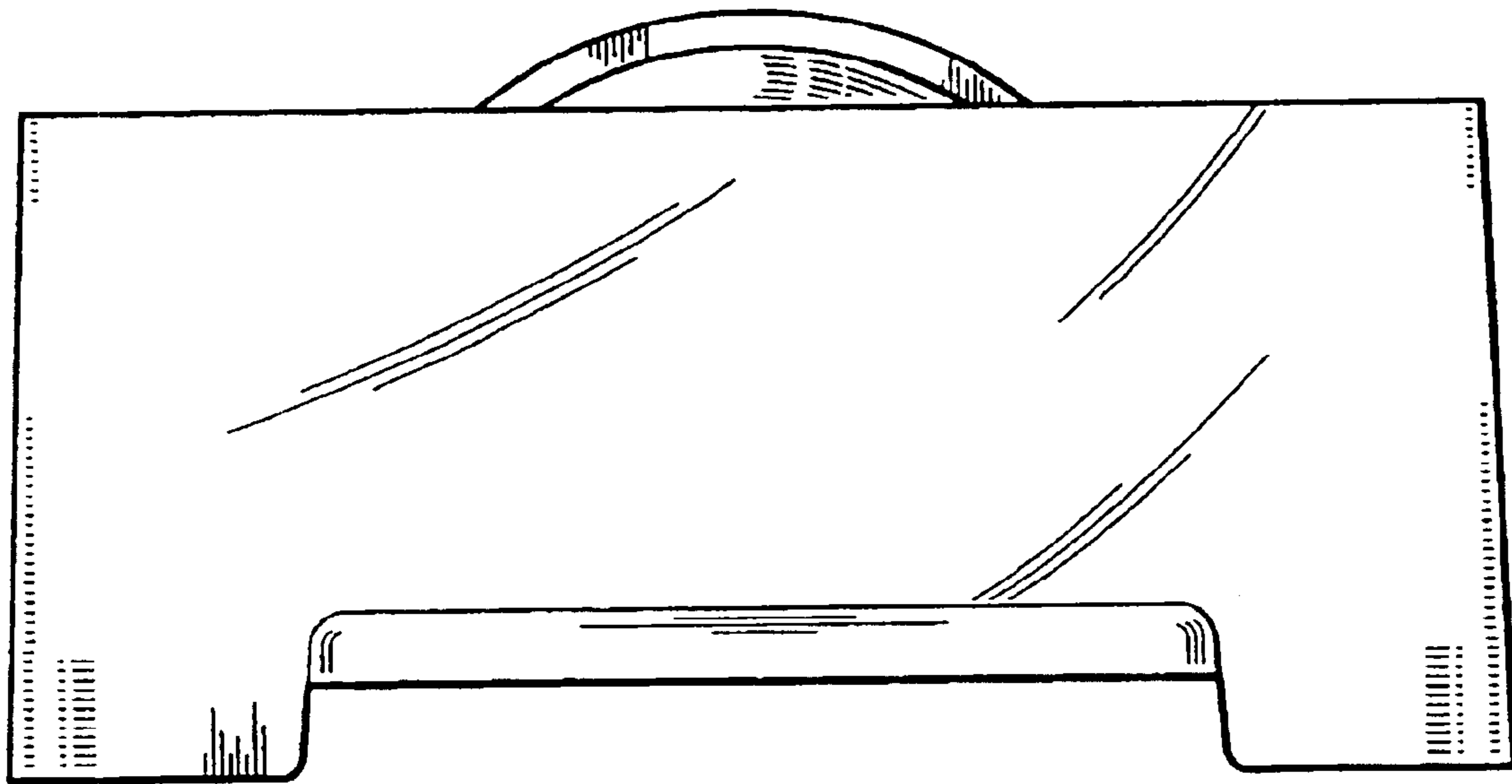


FIG. 7

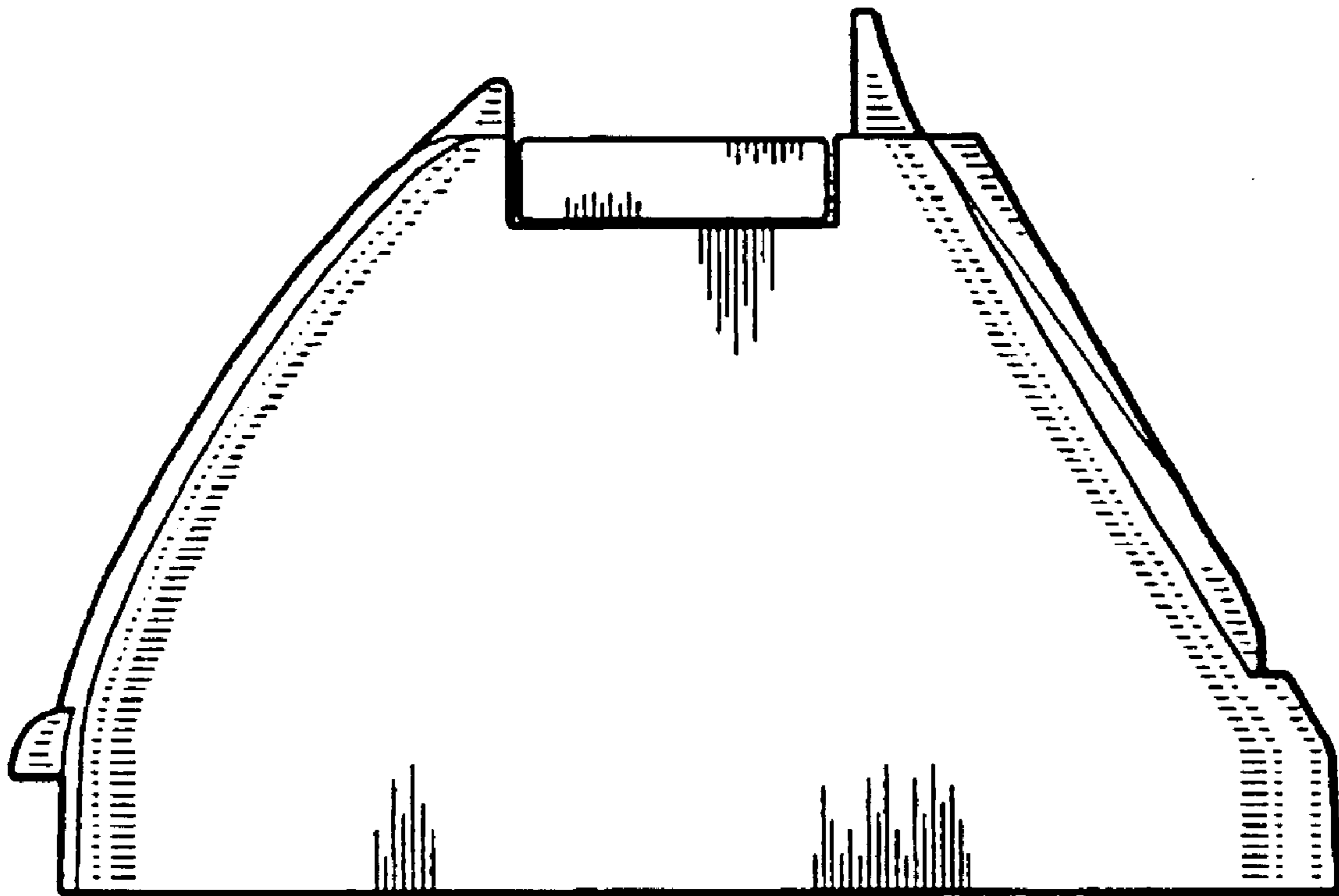


FIG. 8

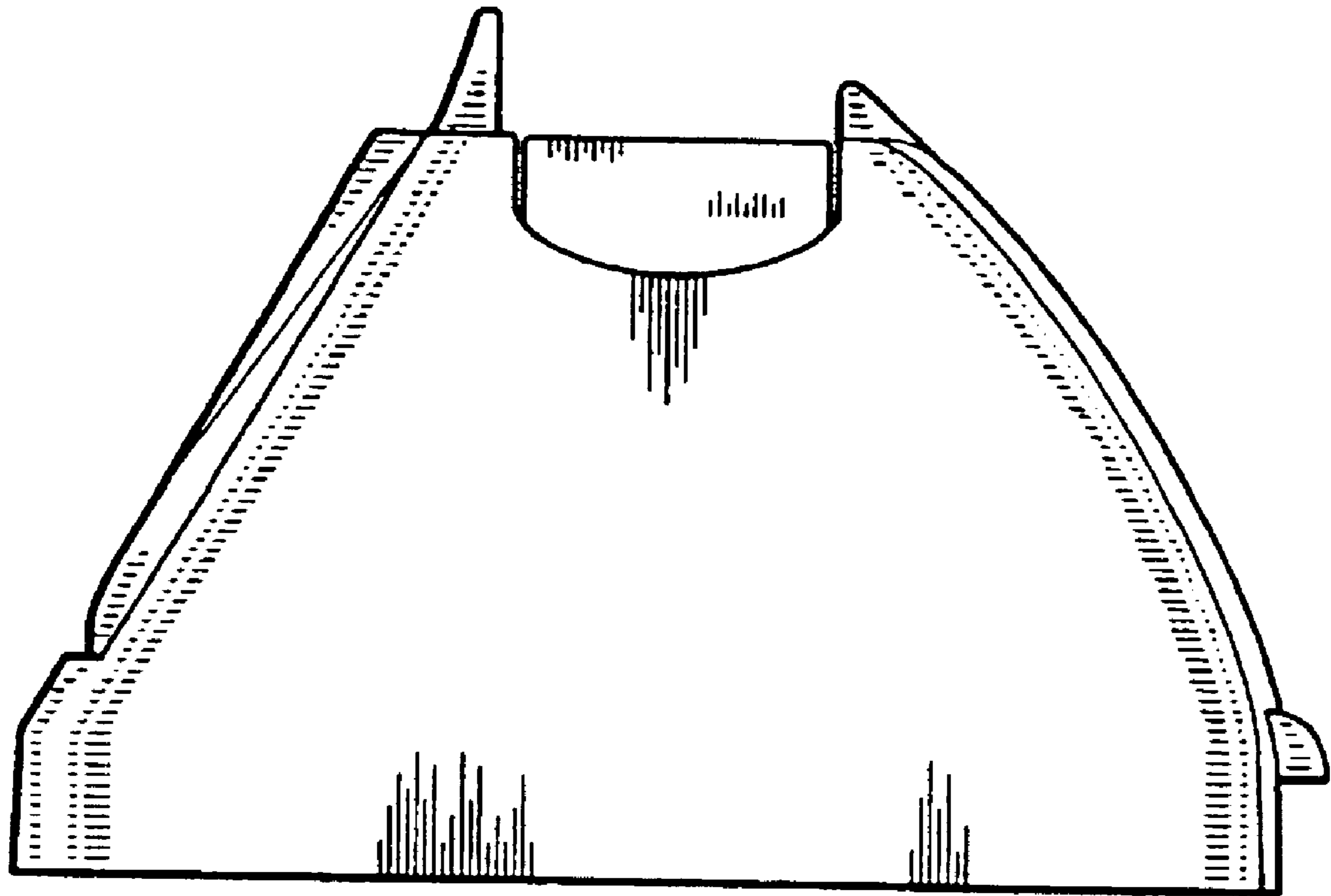


FIG. 9

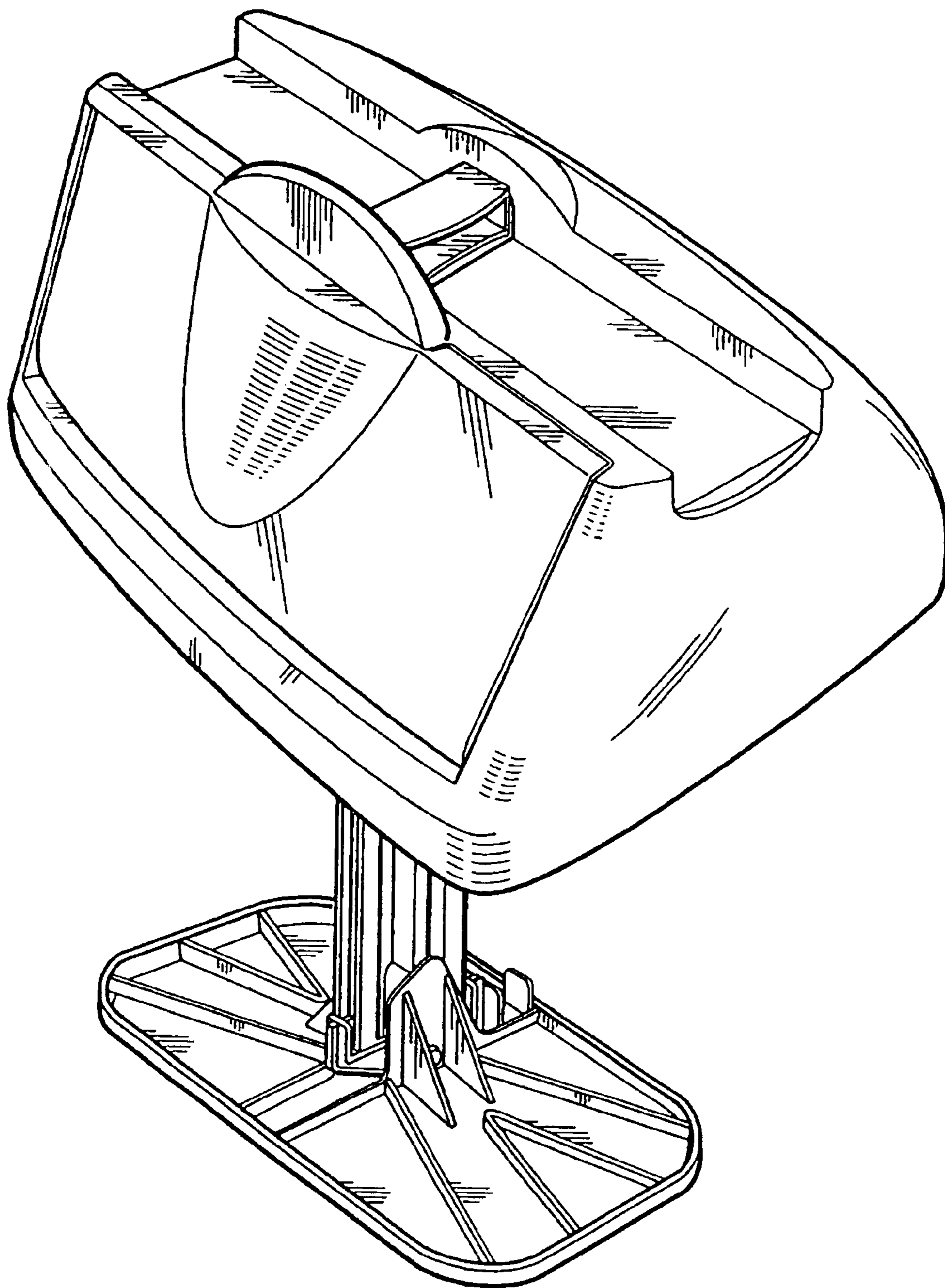


FIG. 10

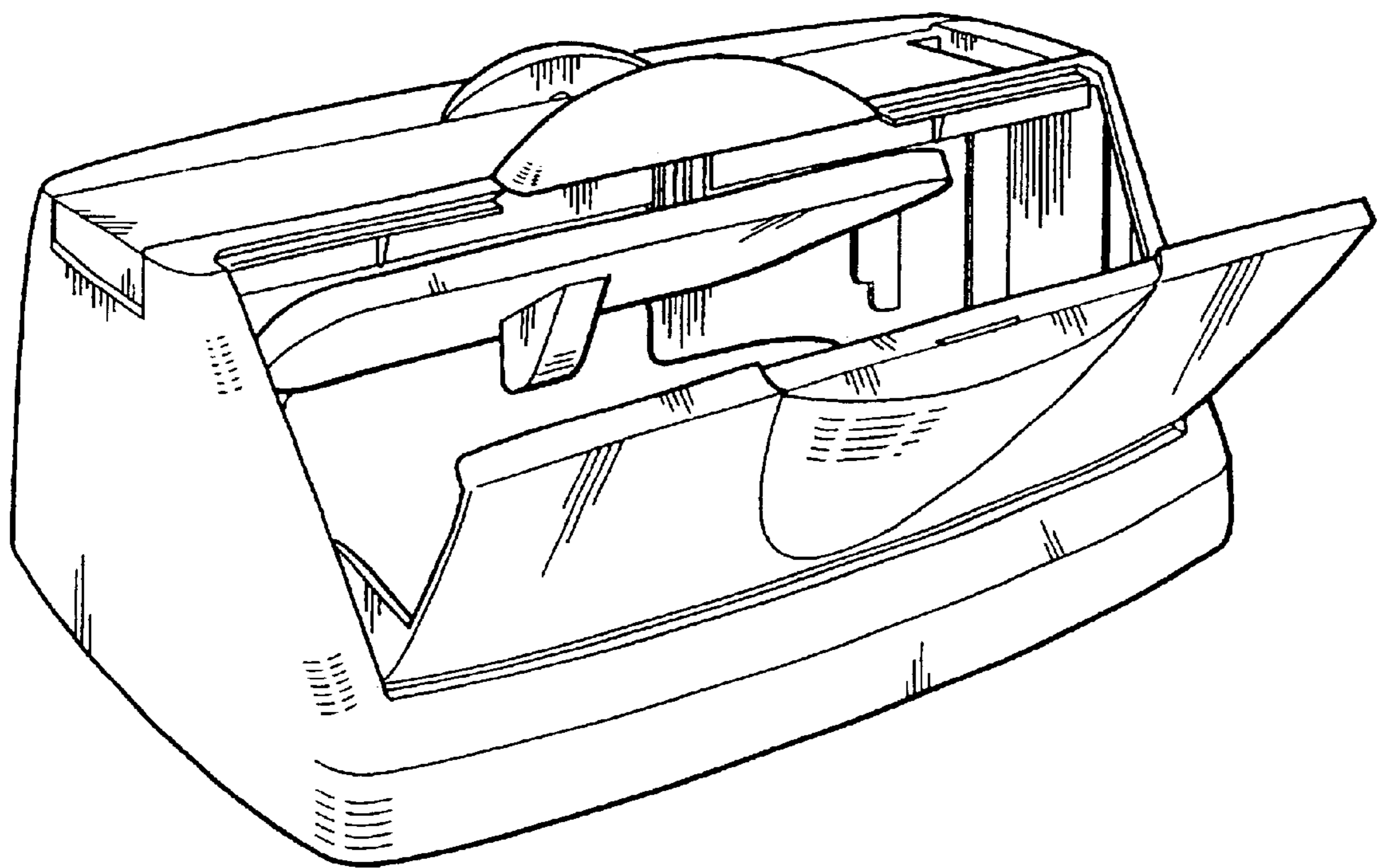


FIG. 11