



US00D519256S

(12) **United States Design Patent**
Renault

(10) **Patent No.:** **US D519,256 S**
(45) **Date of Patent:** **** Apr. 18, 2006**

(54) **ELECTRIC STEAM IRON**
(75) Inventor: **Fabrice Renault**, Lyons (FR)
(73) Assignee: **Calor**, Lyons (FR)
(**) Term: **14 Years**

D433,551 S 11/2000 Powell
D443,963 S 6/2001 Gudefin
D481,185 S 10/2003 Powell
D481,186 S 10/2003 Powell
D484,289 S 12/2003 Berthier
D487,603 S 3/2004 Renault
D501,692 S 2/2005 Powell

(21) Appl. No.: **29/231,589**
(22) Filed: **Jun. 8, 2005**
(30) **Foreign Application Priority Data**

Dec. 8, 2004 (FR) 04 5925

(51) **LOC (8) Cl.** **07-05**
(52) **U.S. Cl.** **D32/70**
(58) **Field of Classification Search** D32/68-72;
38/69, 74, 75, 77.1, 77.2, 77.3, 77.4, 77.5,
38/77.6, 77.8, 77.81, 77.9, 90-97; 219/245-248
See application file for complete search history.

(56) **References Cited**

U.S. PATENT DOCUMENTS

666,224 A * 1/1901 Van Court 38/88
D130,826 S * 12/1941 Norbeck D32/71
2,612,709 A * 10/1952 Dafforn et al. 38/77.8
D221,249 S * 7/1971 Russell D32/70
D257,209 S * 10/1980 Baumgartner et al. D32/70
D427,403 S 6/2000 Gudefin

* cited by examiner

Primary Examiner—Alan P. Douglas
Assistant Examiner—Lavone D. Tabor
(74) *Attorney, Agent, or Firm*—Young & Thompson

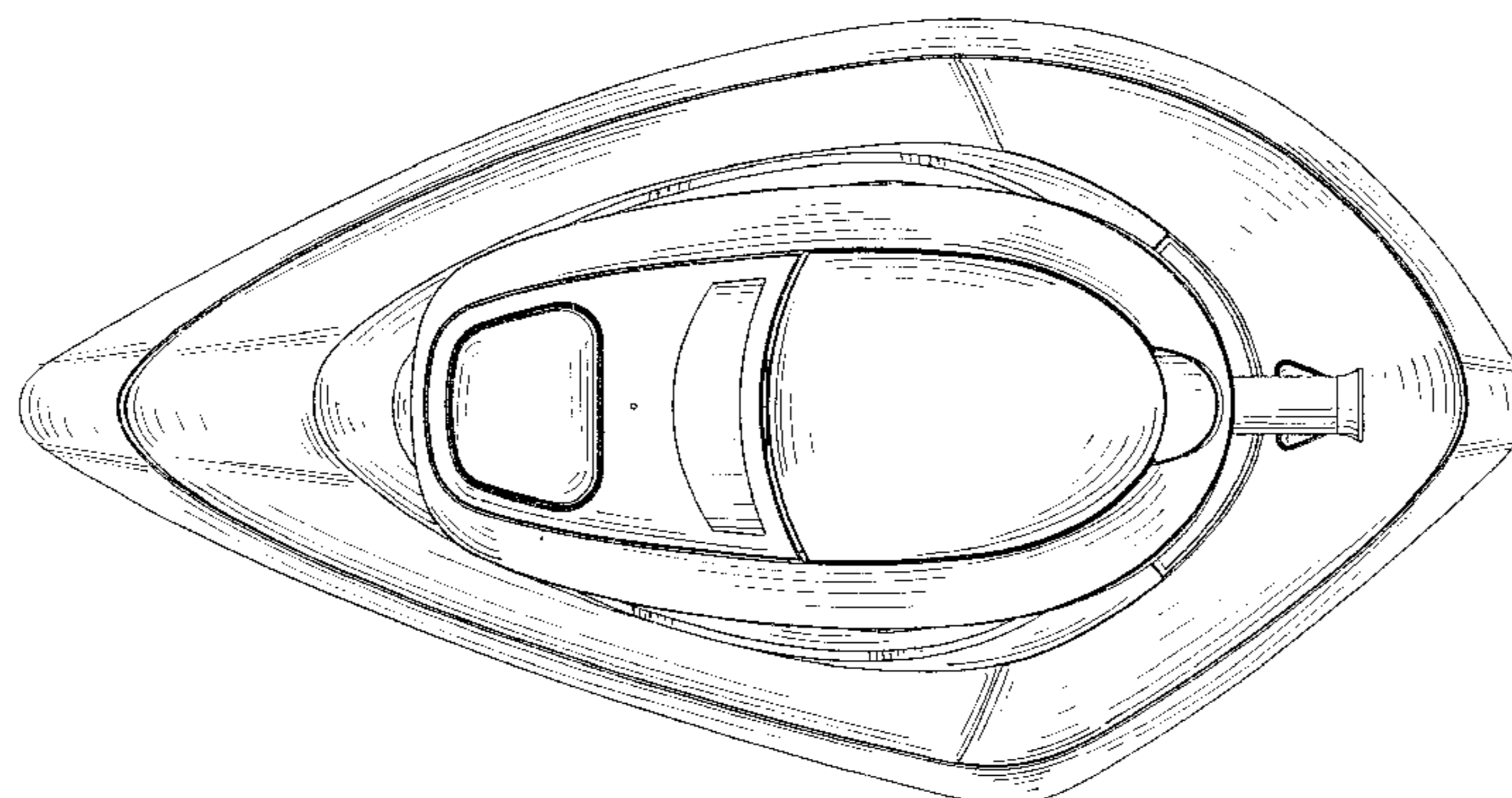
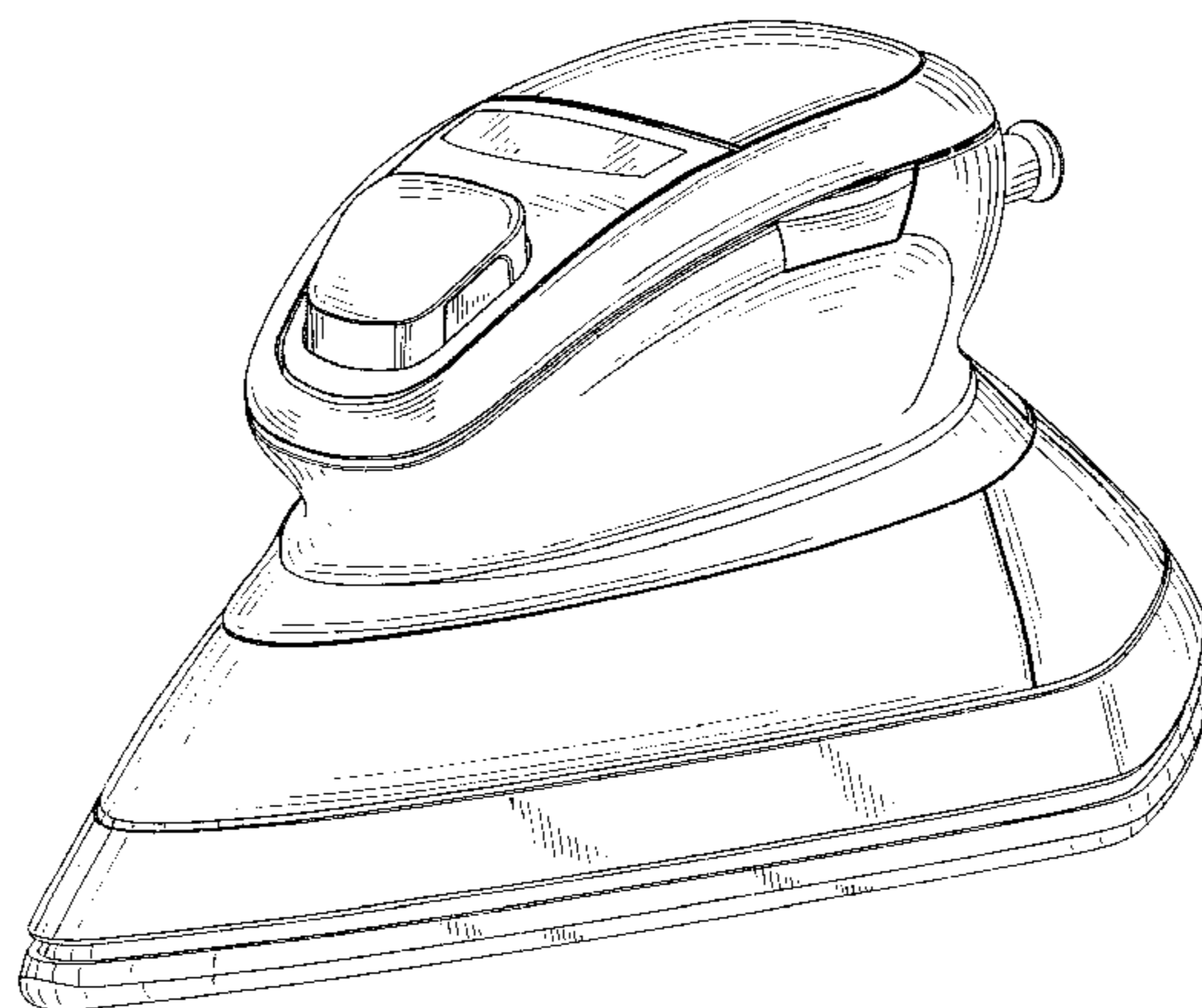
(57) **CLAIM**

The ornamental design for an electric steam iron, as shown.

DESCRIPTION

FIG. 1 is a top, front and side perspective view of an electric steam iron showing my new design;
FIG. 2 is a top, rear and side perspective view thereof;
FIG. 3 is a front elevational view thereof;
FIG. 4 is a side elevational view thereof from the left of FIG. 3;
FIG. 5 is a side elevational view thereof from the right of FIG. 3;
FIG. 6 is a rear elevational view thereof;
FIG. 7 is a top plan view thereof; and,
FIG. 8 is a bottom plan view thereof.

1 Claim, 8 Drawing Sheets



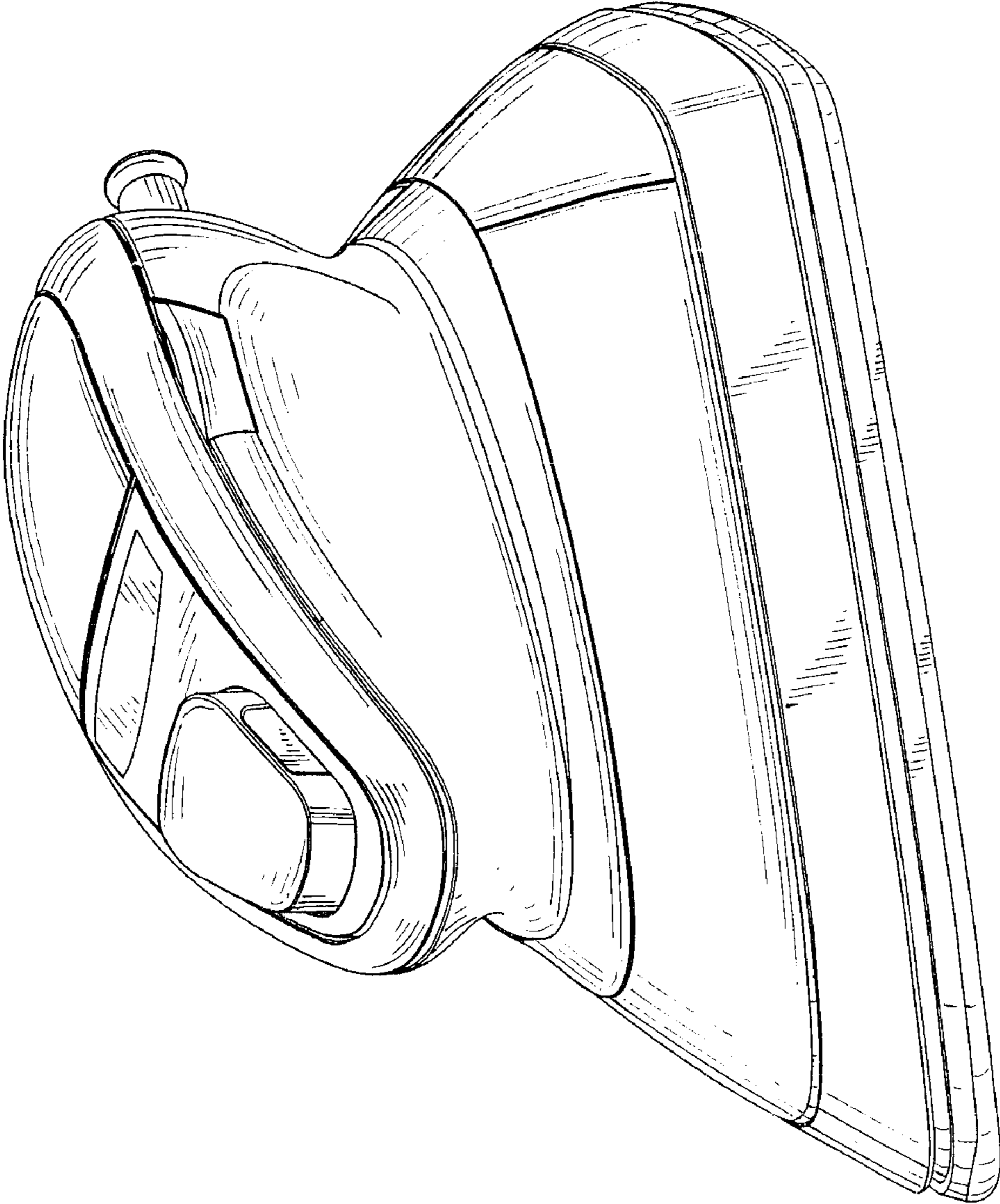


FIG. 1

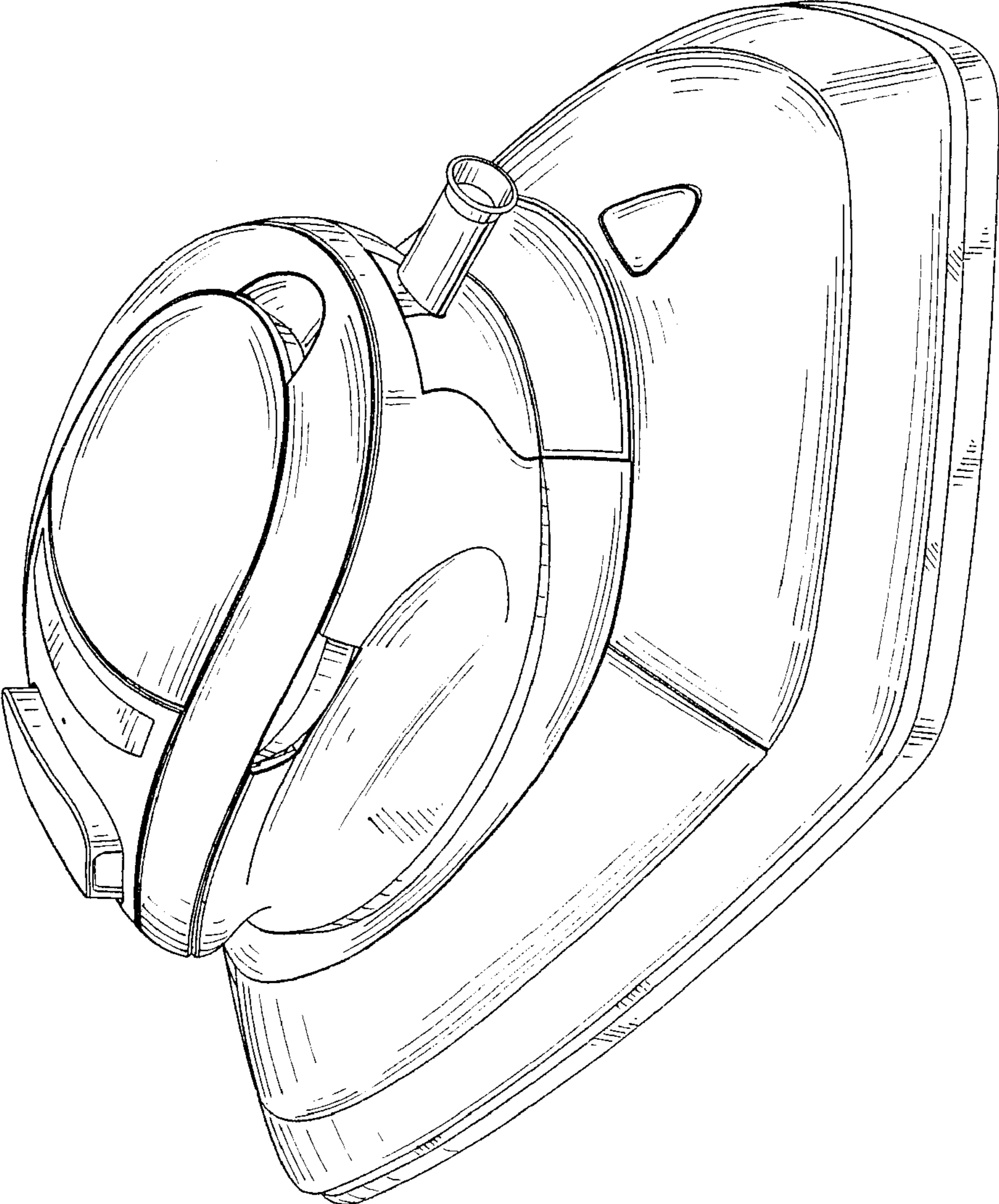


FIG. 2

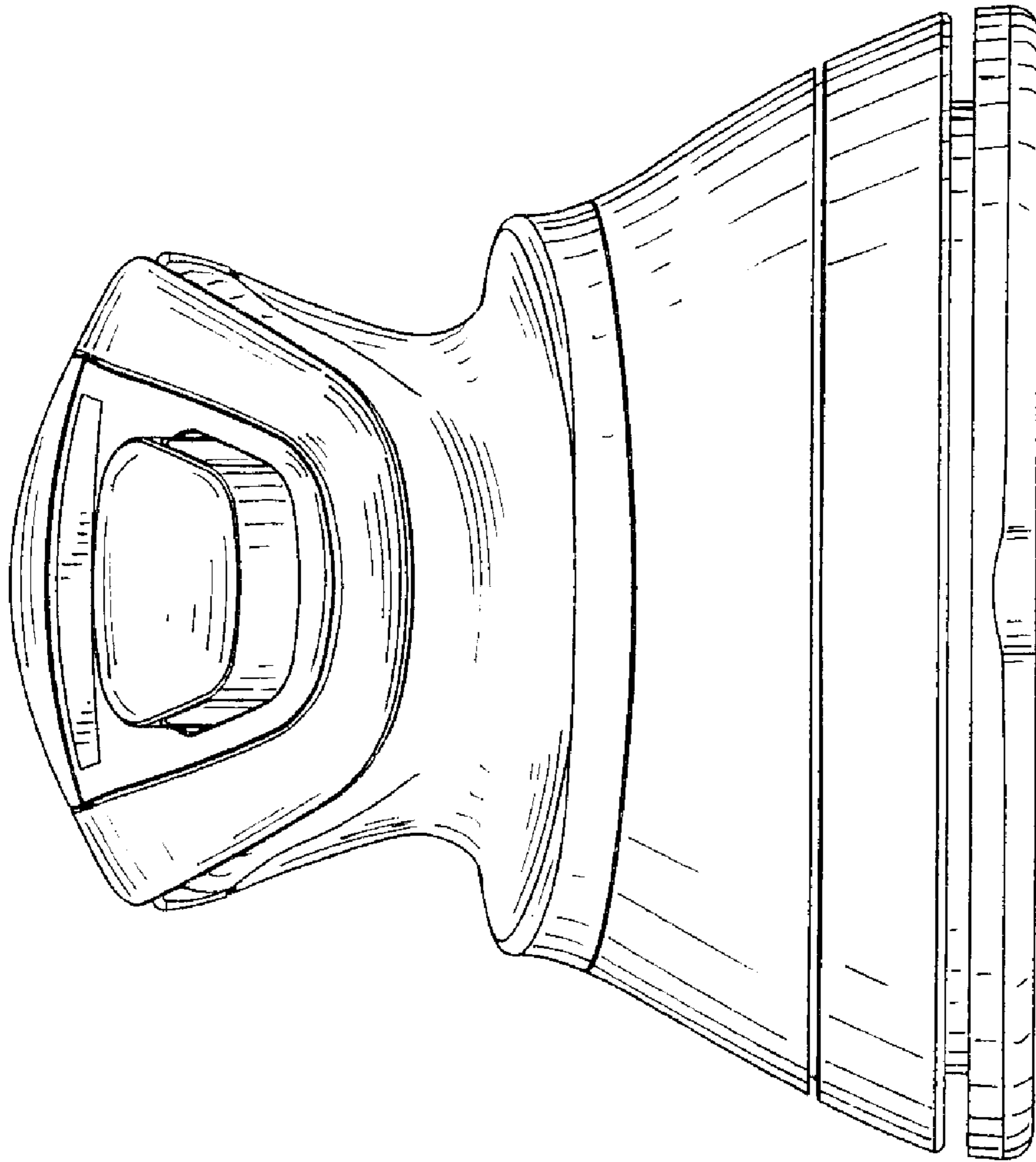


FIG. 3

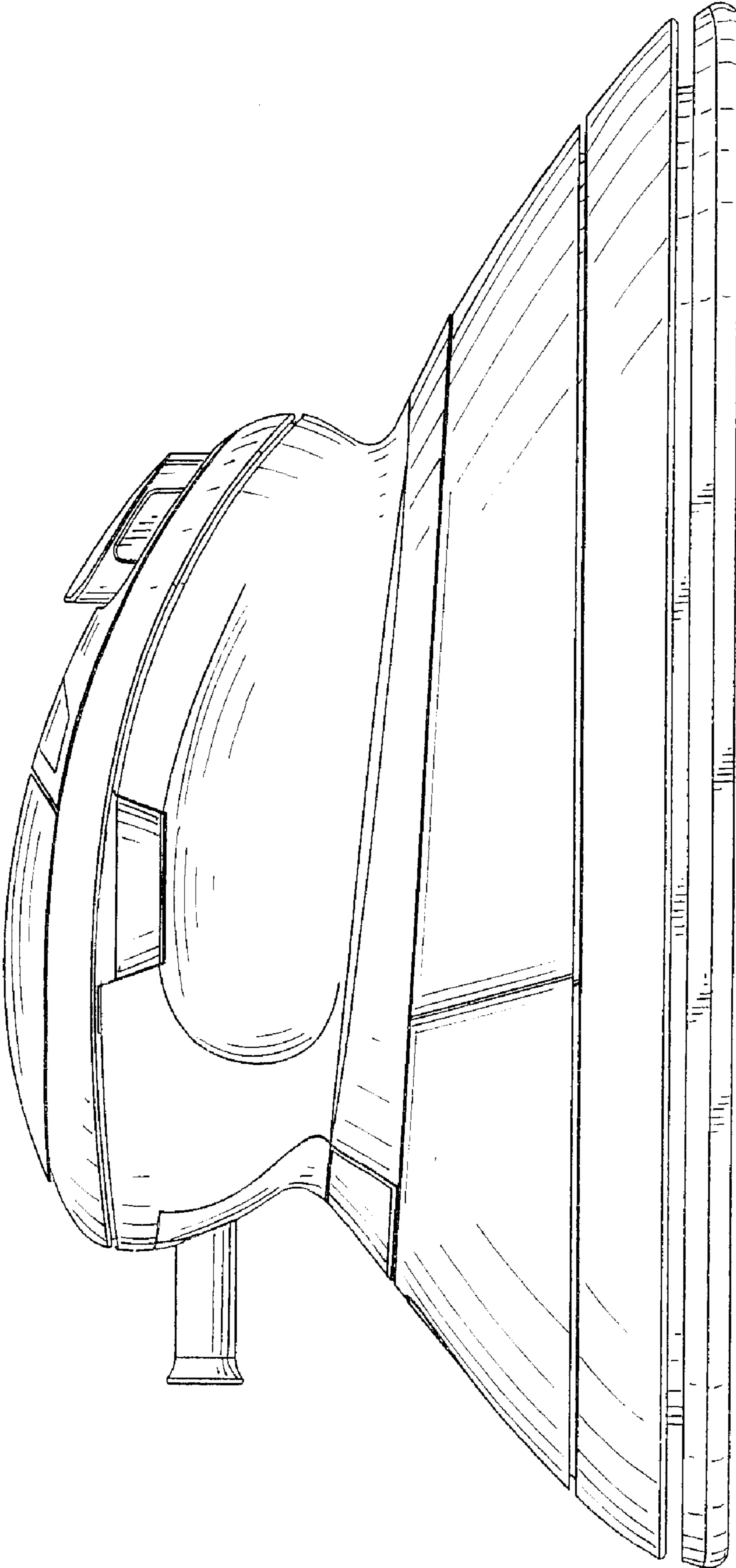


FIG. 4

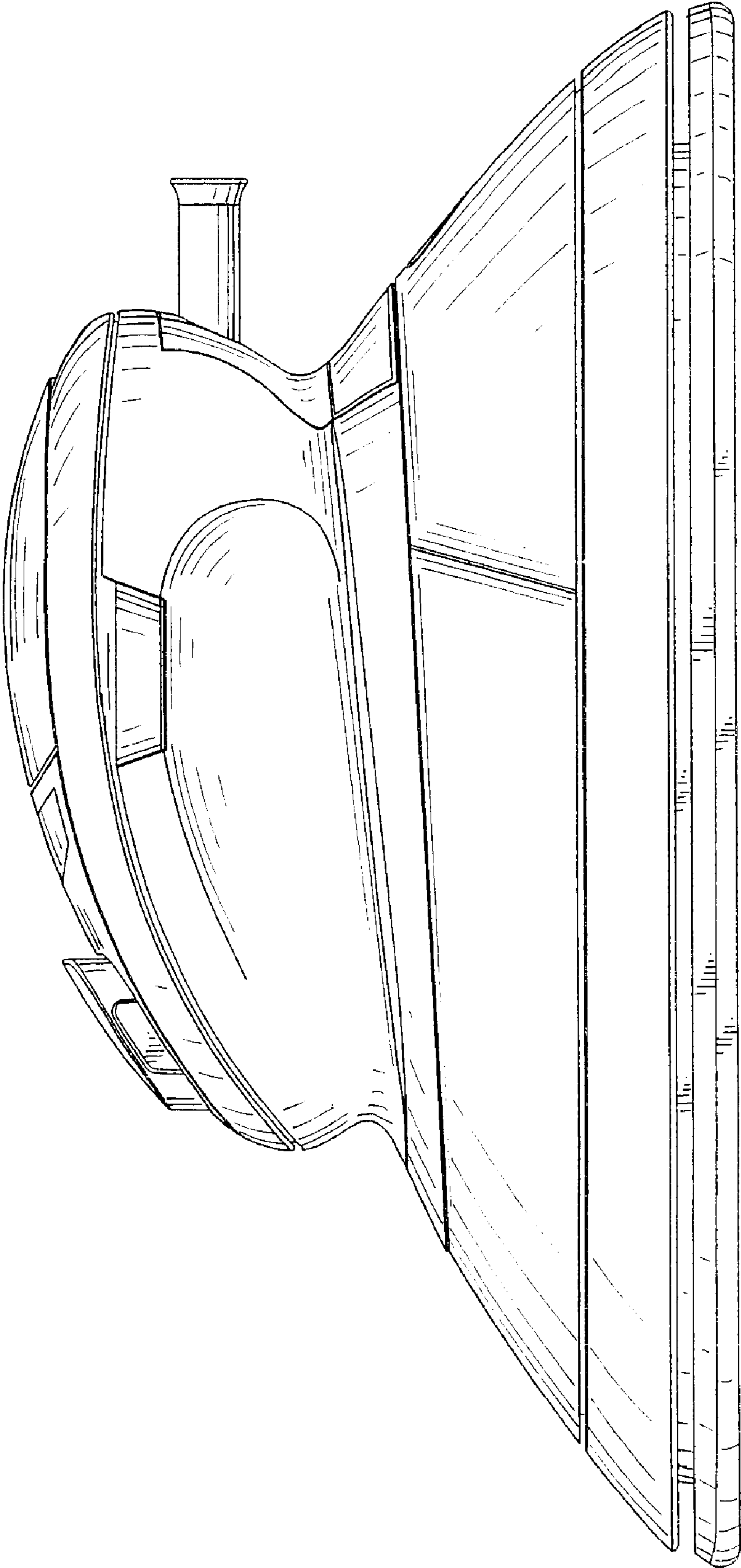


FIG. 5

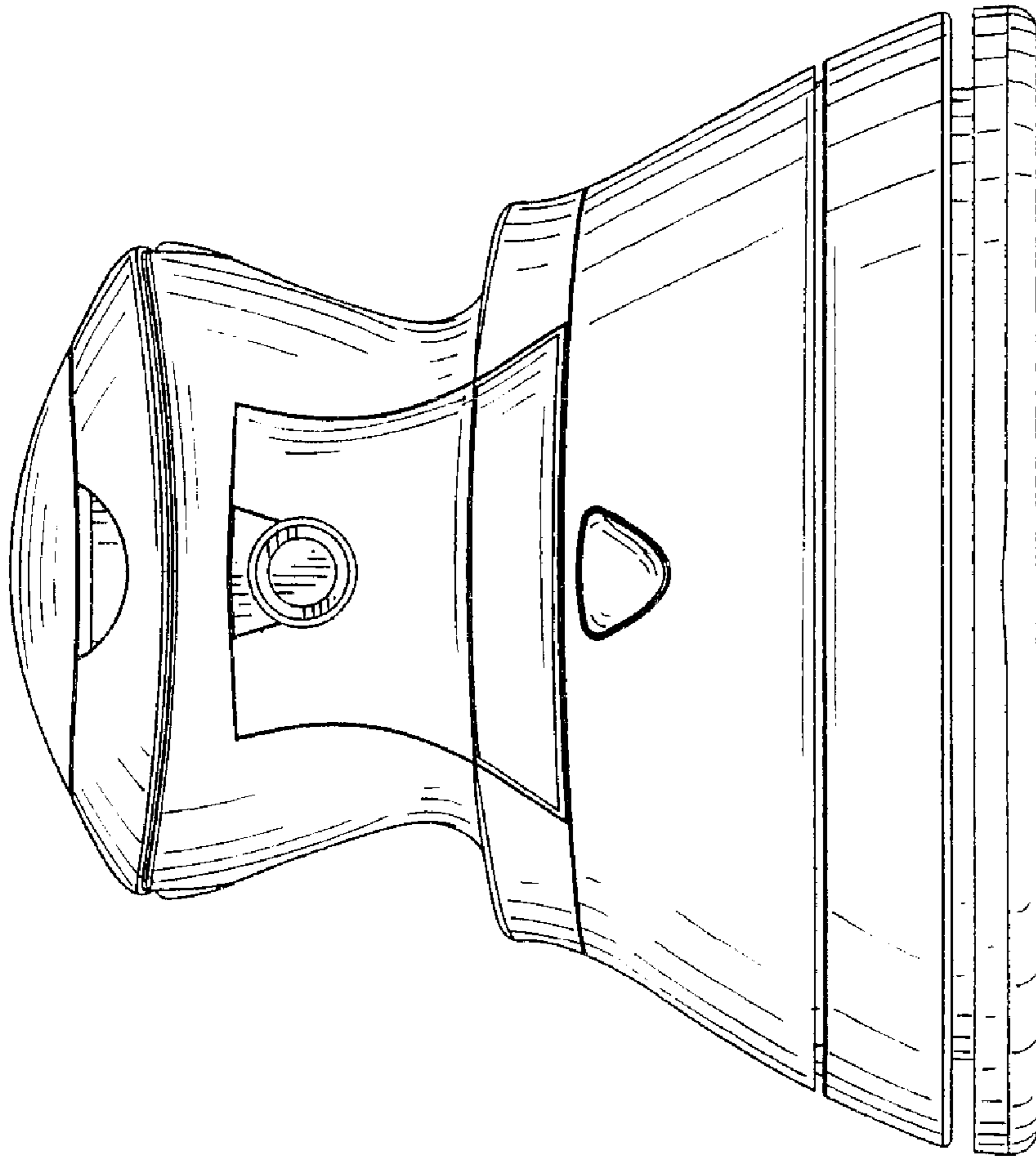


FIG. 6

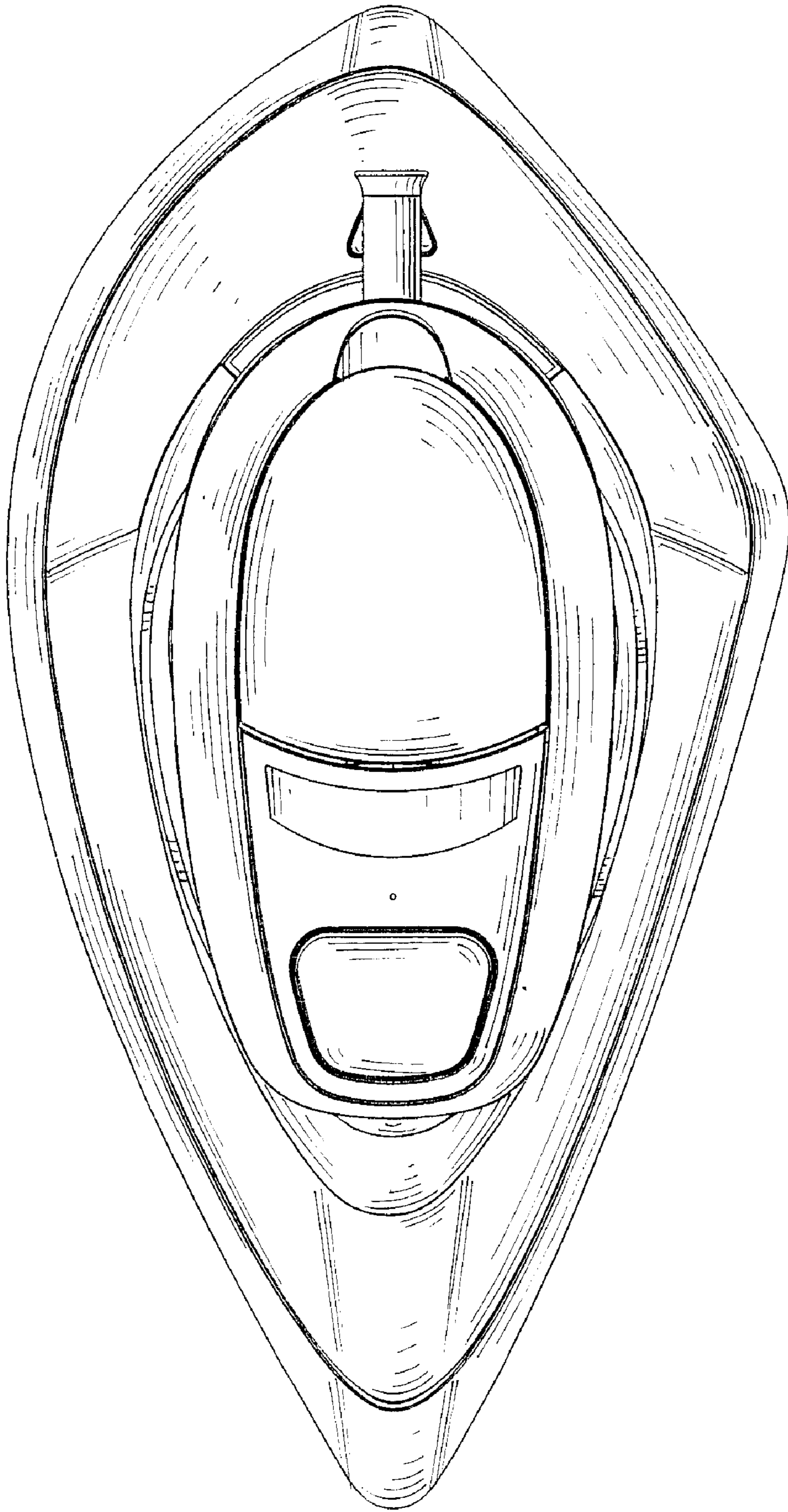


FIG. 7

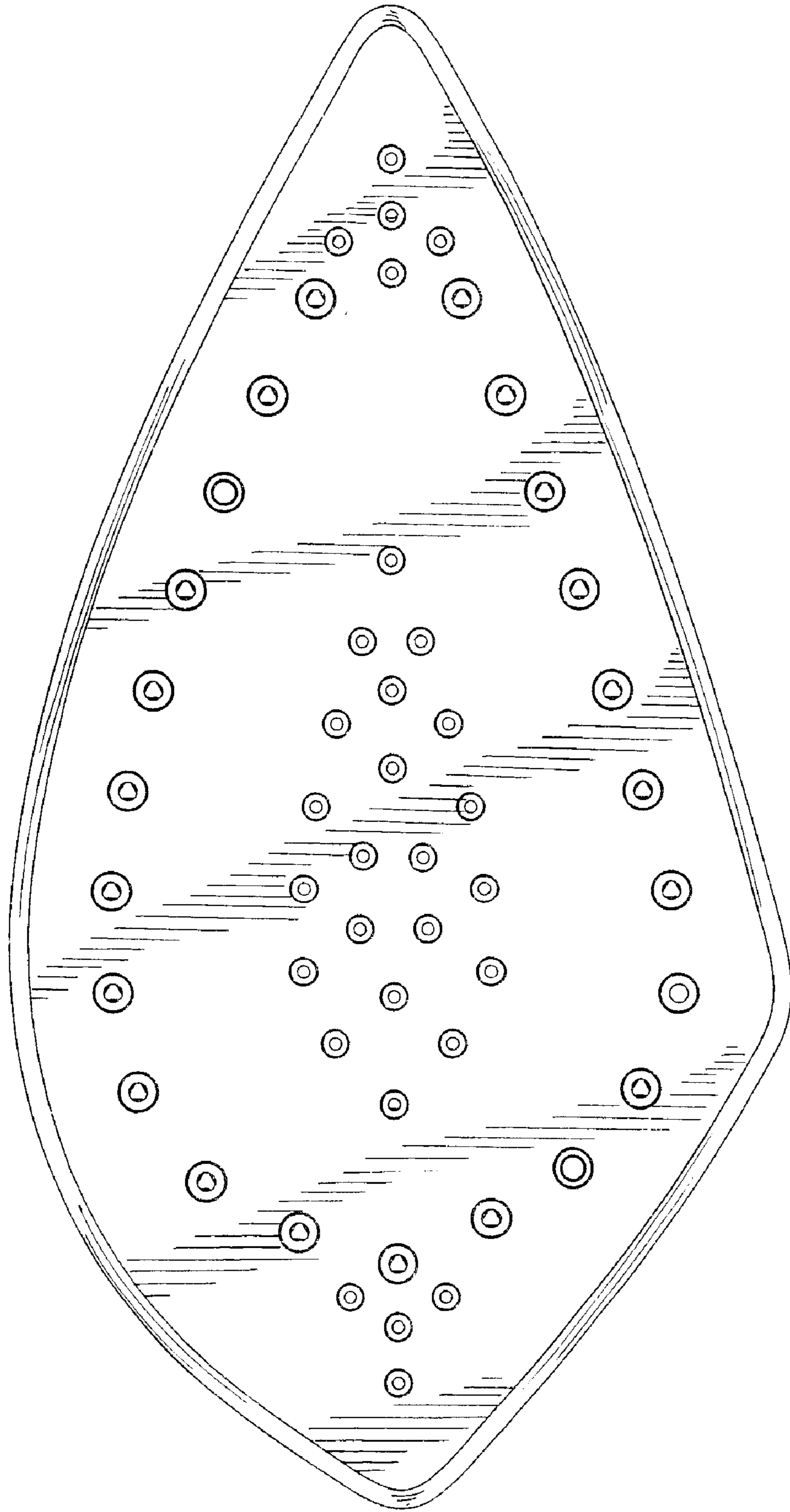


FIG. 8