



US00D519255S

(12) **United States Design Patent**
Peet et al.

(10) **Patent No.:** **US D519,255 S**
(45) **Date of Patent:** **** Apr. 18, 2006**

(54) **SHOE DRYER INSERT**

6,216,359 B1 4/2001 Peet
6,766,594 B1 * 7/2004 DuRapau 34/104

(75) Inventors: **Blair G. Peet**, St. Maries, ID (US);
Gene W. Peet, St. Maries, ID (US)

* cited by examiner

(73) Assignee: **Peet Shoe Dryer, Inc.**, St. Maries, ID (US)

Primary Examiner—Robert A. Delehanty
(74) *Attorney, Agent, or Firm*—Wells St. John P.S.

(**) Term: **14 Years**

(57) **CLAIM**

I claim the ornamental design for a shoe dryer insert as shown and described.

(21) Appl. No.: **29/204,832**

(22) Filed: **May 4, 2004**

DESCRIPTION

(51) **LOC (8) Cl.** **07-05**

FIG. 1 is a rear perspective view of the shoe dryer insert invention;

(52) **U.S. Cl.** **D32/59**

FIG. 2 is a rear perspective view of a shoe dryer insert with a hidden line boot thereon, and the boot forms no part of the design;

(58) **Field of Classification Search** D32/8,
D32/14.1, 25, 59; D2/979; 34/104, 554, 90,
34/437, 239, 442; 211/34-35, 37; 223/84,
223/120

FIG. 3 is a side elevation view thereof;

See application file for complete search history.

FIG. 4 is a front elevation view thereof;

(56) **References Cited**

U.S. PATENT DOCUMENTS

2,076,735	A	*	4/1937	Leindorf	34/104
3,154,392	A	*	10/1964	Littman	34/104
3,417,482	A	*	12/1968	Peet	34/104
4,136,464	A	*	1/1979	Hay	34/104
D412,381	S		7/1999	Peet		
6,085,436	A		7/2000	Peet		

FIG. 5 is a rear elevation view thereof;

FIG. 6 is a top view thereof;

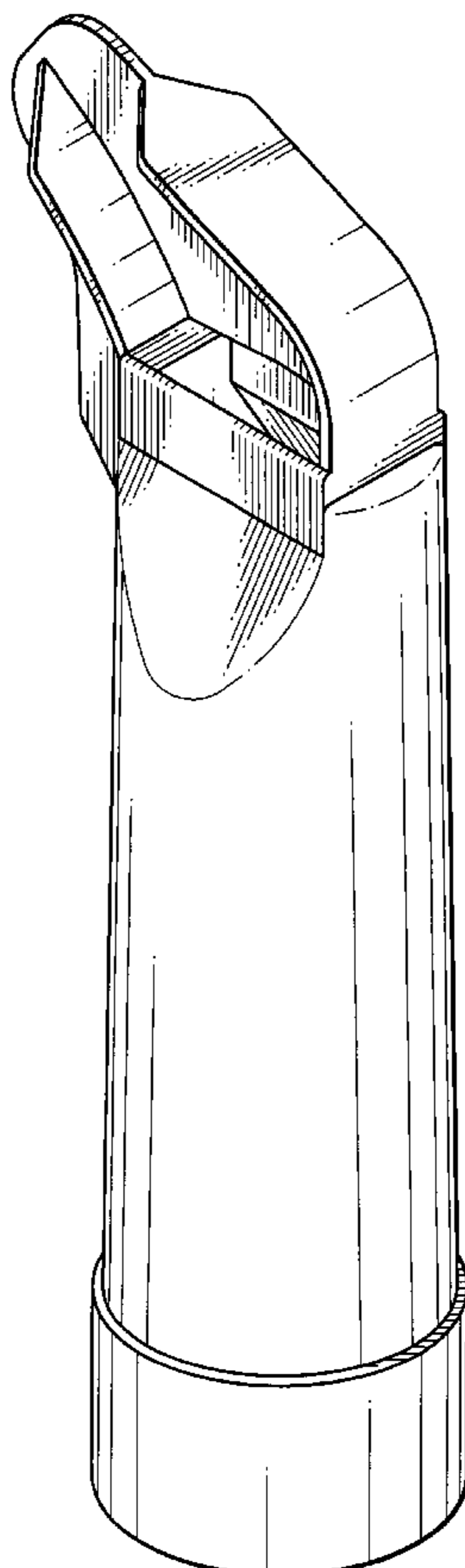
FIG. 7 is a bottom view thereof;

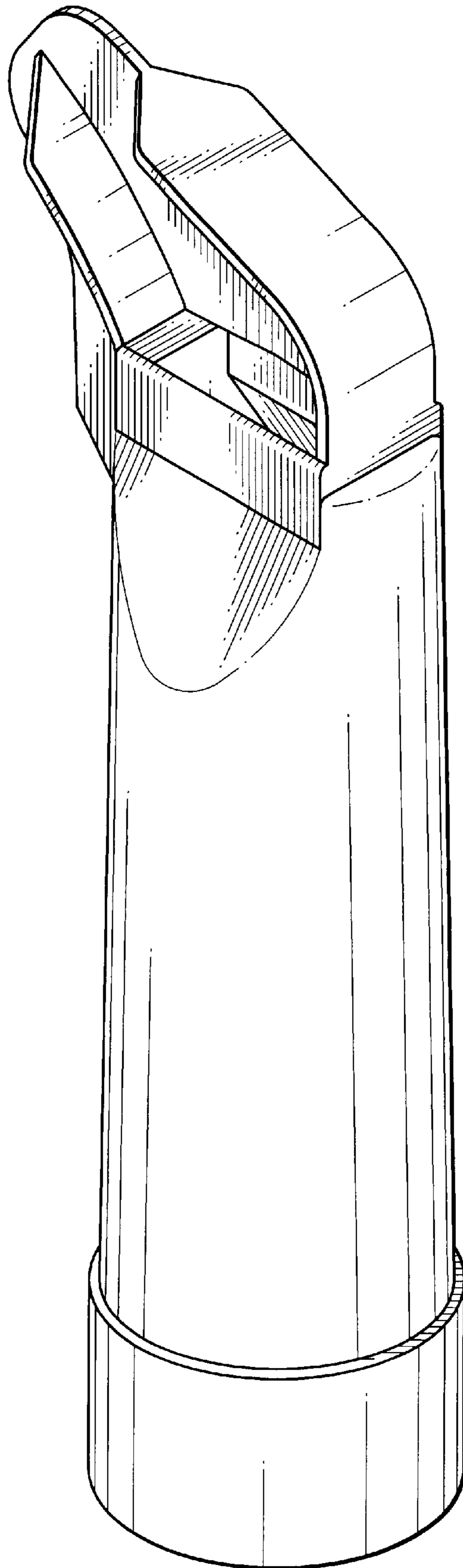
FIG. 8 is section view 8—8 from FIG. 6; and,

FIG. 9 is section 9—9 from FIG. 6.

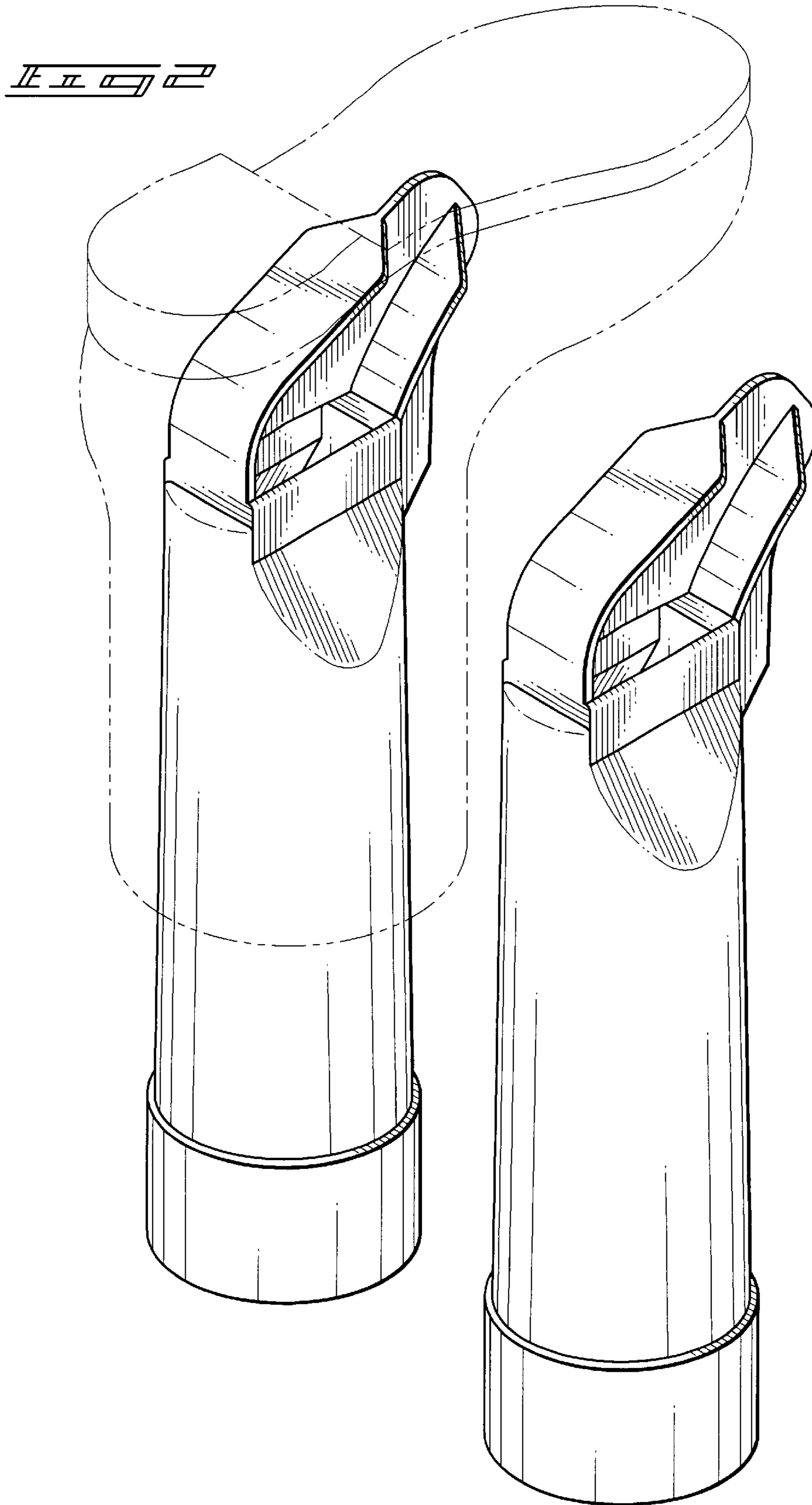
The broken line showing of a shoe is for illustrative purposes only and forms no part of the claimed design.

1 Claim, 6 Drawing Sheets





II II II II



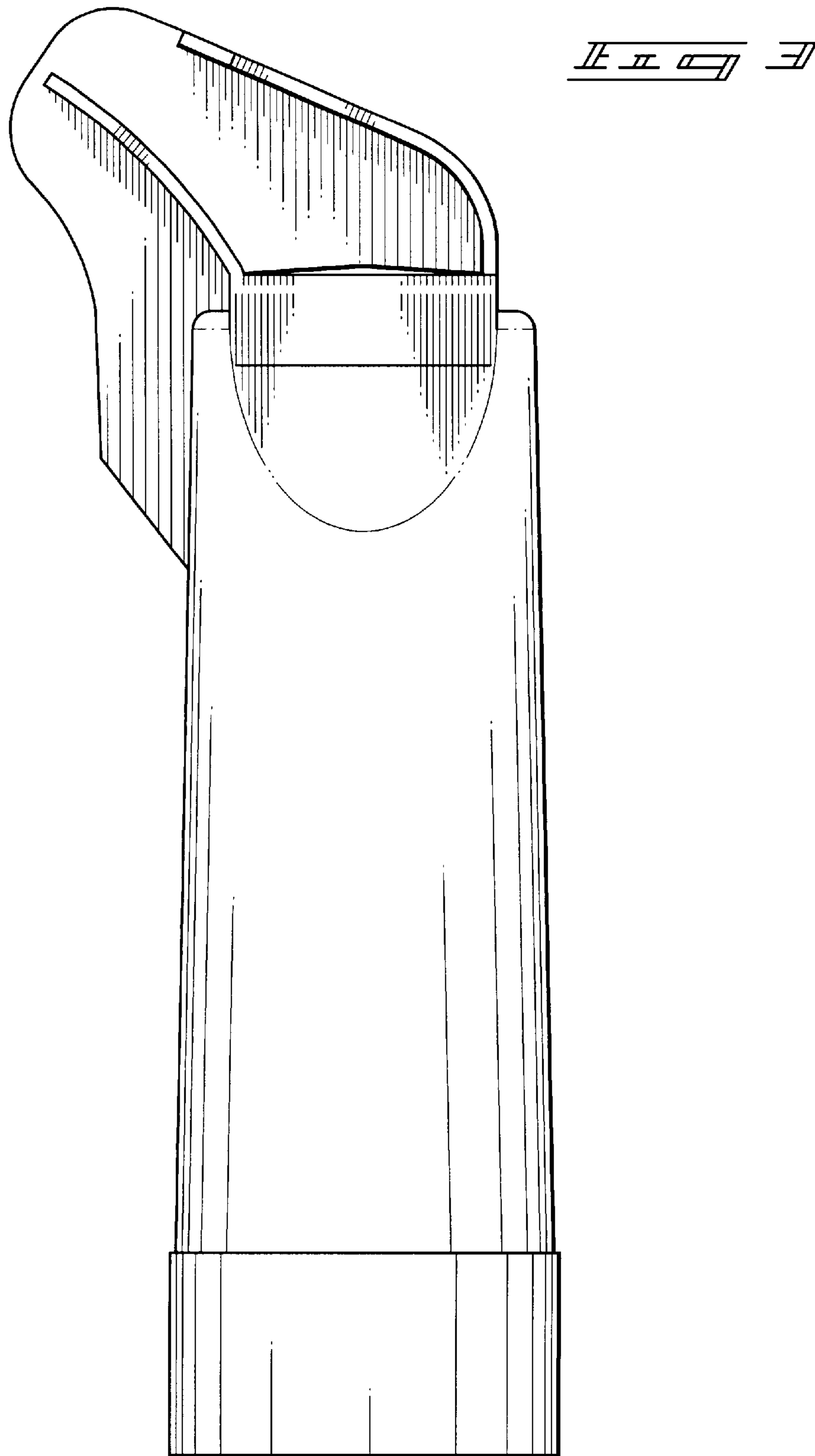


Fig. 4

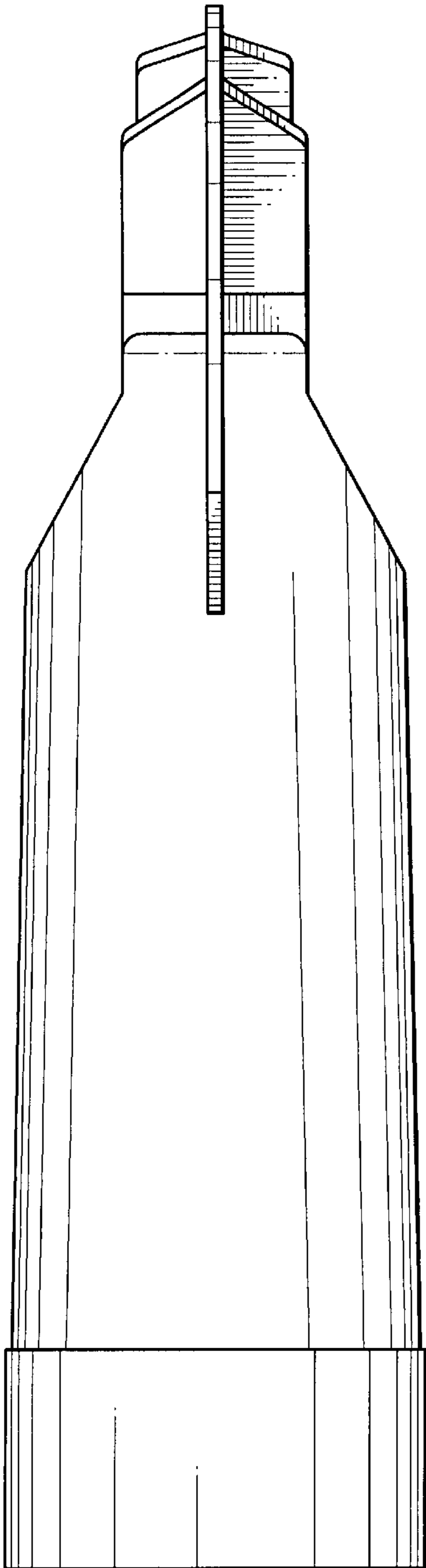
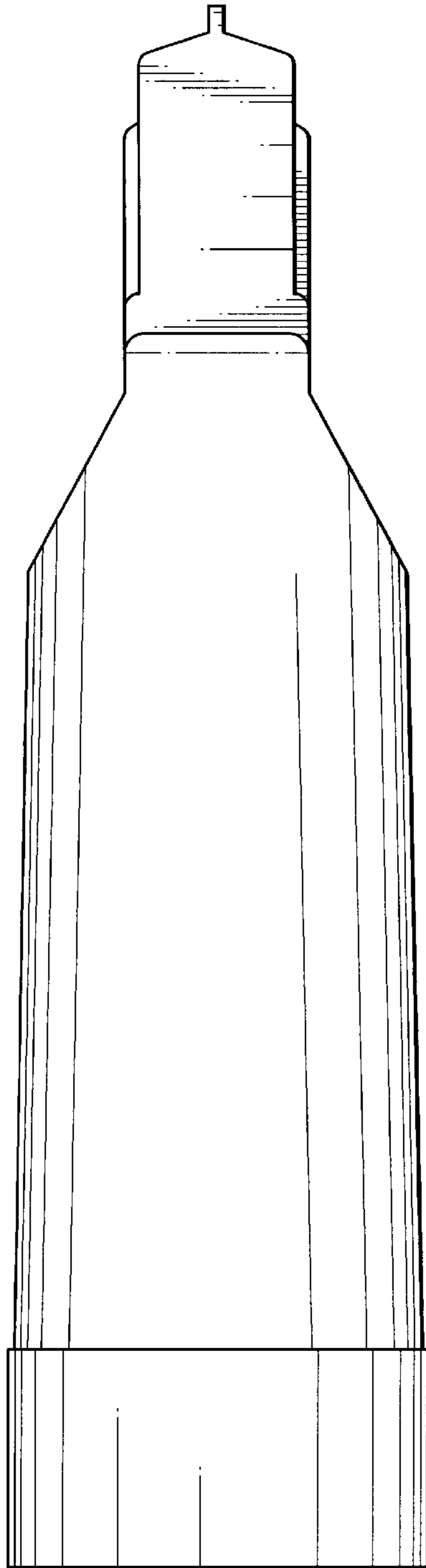


Fig. 5



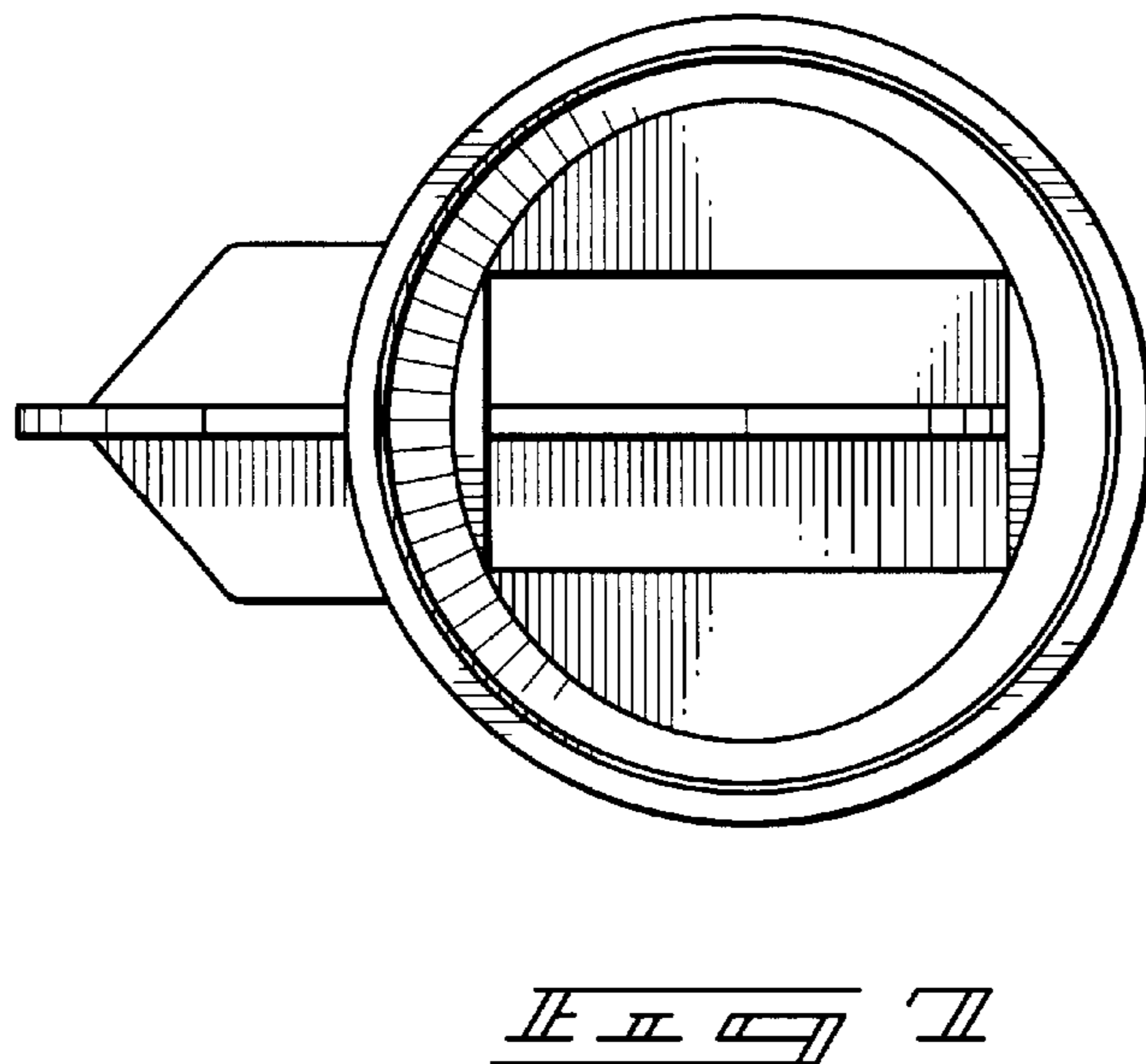
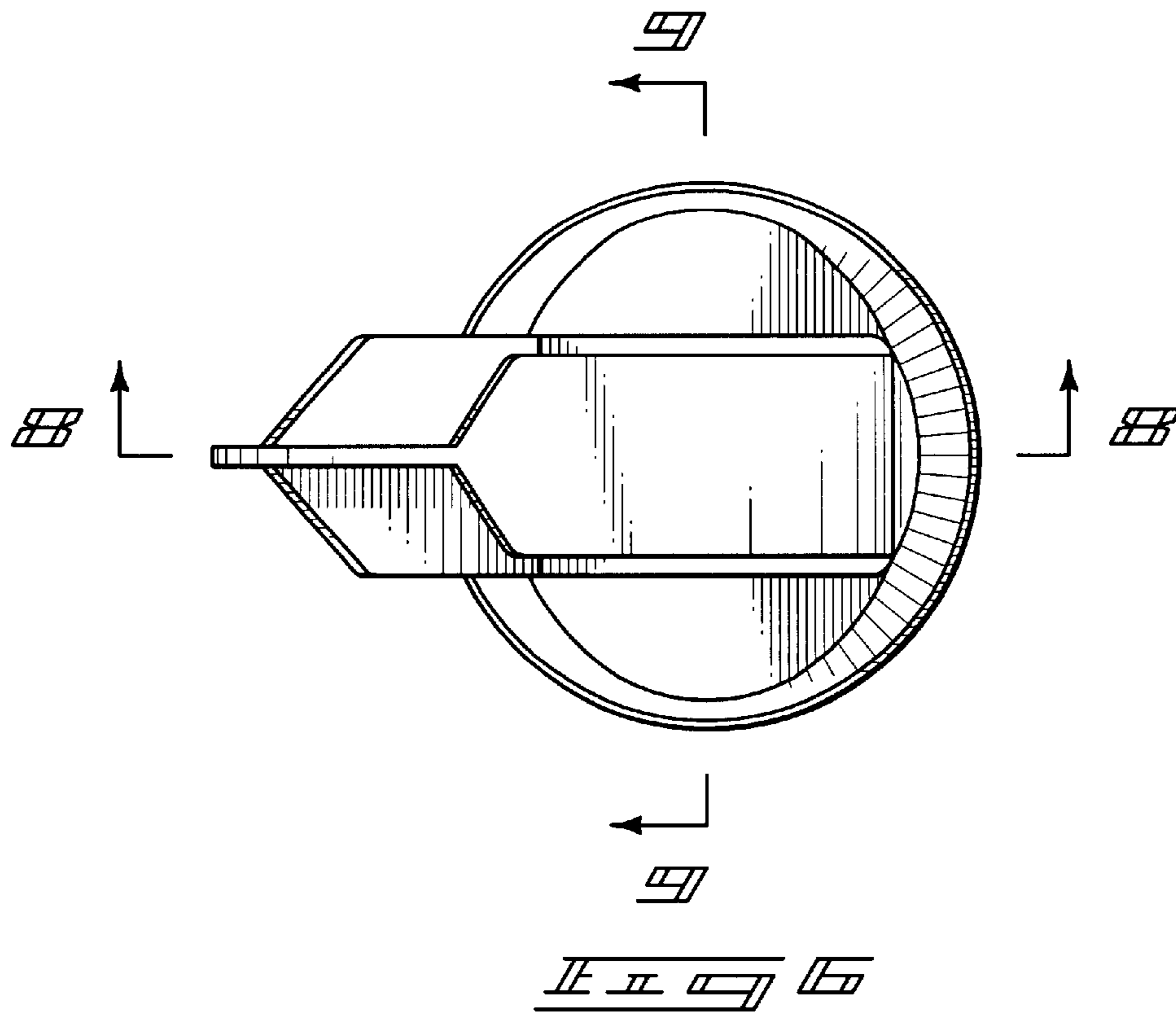


FIG. 8

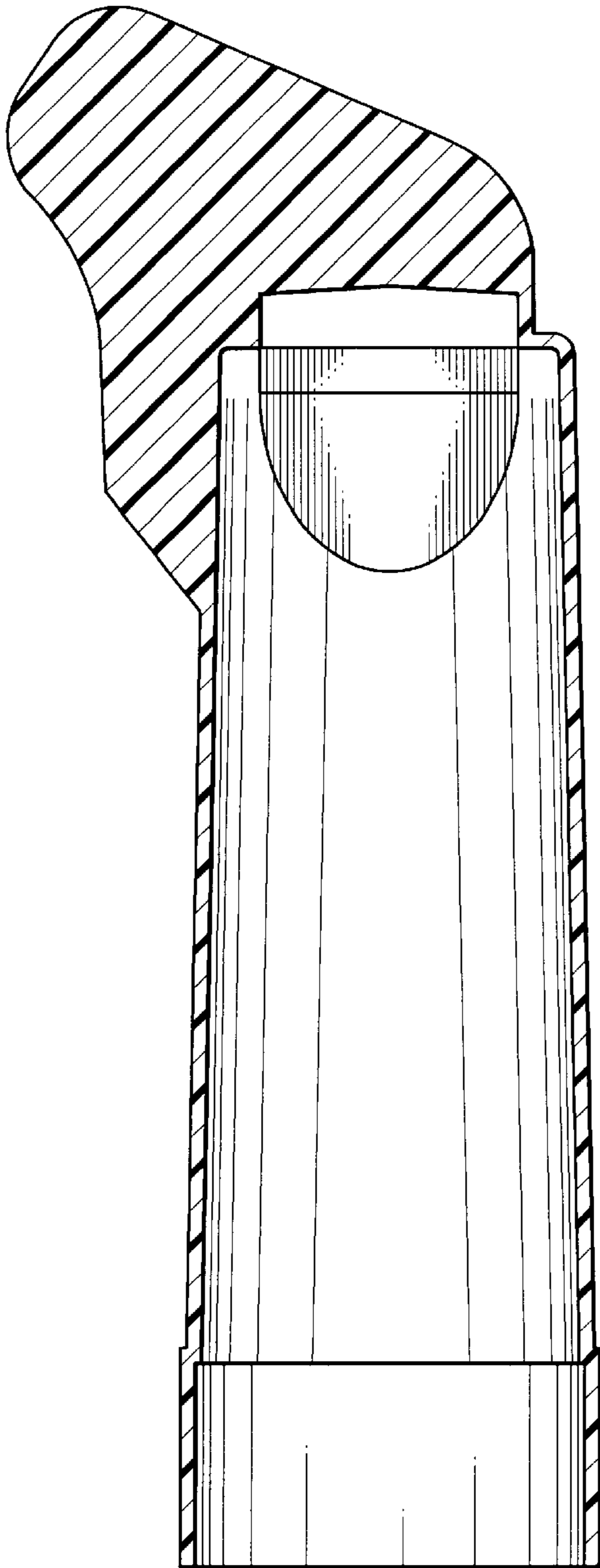


FIG. 9

