



US00D519251S

(12) **United States Design Patent**  
**Hoshino et al.**

(10) **Patent No.: US D519,251 S**

(45) **Date of Patent: \*\* \*Apr. 18, 2006**

(54) **COMBINATION WET AND DRY VACUUM APPLIANCE**

(75) Inventors: **Kiyoshi Hoshino**, Chesterfield, MO (US); **Stuart V. Holsten**, O'Fallon, MO (US)

(73) Assignee: **Emerson Electric Co.**, St. Louis, MO (US)

(\*) Notice: This patent is subject to a terminal disclaimer.

(\*\*) Term: **14 Years**

(21) Appl. No.: **29/190,766**

(22) Filed: **Sep. 25, 2003**

(51) **LOC (8) Cl.** ..... **15-05**

(52) **U.S. Cl.** ..... **D32/23**

(58) **Field of Classification Search** ..... D32/17-18, D32/21-24, 31, 34; 15/329, 344, 347, 327.1-327.7, 15/410-412, 350-353, 320-321, 324; 362/91; 285/7; 174/47; 96/225-226; 68/222; 392/404  
See application file for complete search history.

(56) **References Cited**

**U.S. PATENT DOCUMENTS**

- 6,055,700 A \* 5/2000 Holsten et al. .... 15/327.2
- 6,158,083 A \* 12/2000 Holsten ..... 15/326
- D438,353 S \* 2/2001 Hoshino et al. .... D32/23

- D443,739 S \* 6/2001 Young et al. .... D32/23
- 6,347,429 B1 \* 2/2002 Hult et al. .... 15/327.2
- 6,543,085 B1 \* 4/2003 Holsten et al. .... 15/410
- D479,023 S \* 8/2003 Holsten et al. .... D32/23
- D479,371 S \* 9/2003 Griffin et al. .... D32/23
- D486,280 S \* 2/2004 Holsten et al. .... D32/23
- D492,823 S \* 7/2004 Hoshino et al. .... D32/23
- D492,824 S \* 7/2004 Tomasiak et al. .... D32/23

\* cited by examiner

*Primary Examiner*—Ruth McInroy

(74) *Attorney, Agent, or Firm*—Locke Liddell & Sapp LLP

(57) **CLAIM**

The ornamental design for a combination wet and dry vacuum appliance, as shown and described.

**DESCRIPTION**

FIG. 1 is a front and right side perspective view of a combination wet and dry vacuum appliance, showing our new design;

FIG. 2 is a front and left side perspective view thereof;

FIG. 3 is a rear perspective view thereof;

FIG. 4 is a front view thereof;

FIG. 5 is a right side view thereof;

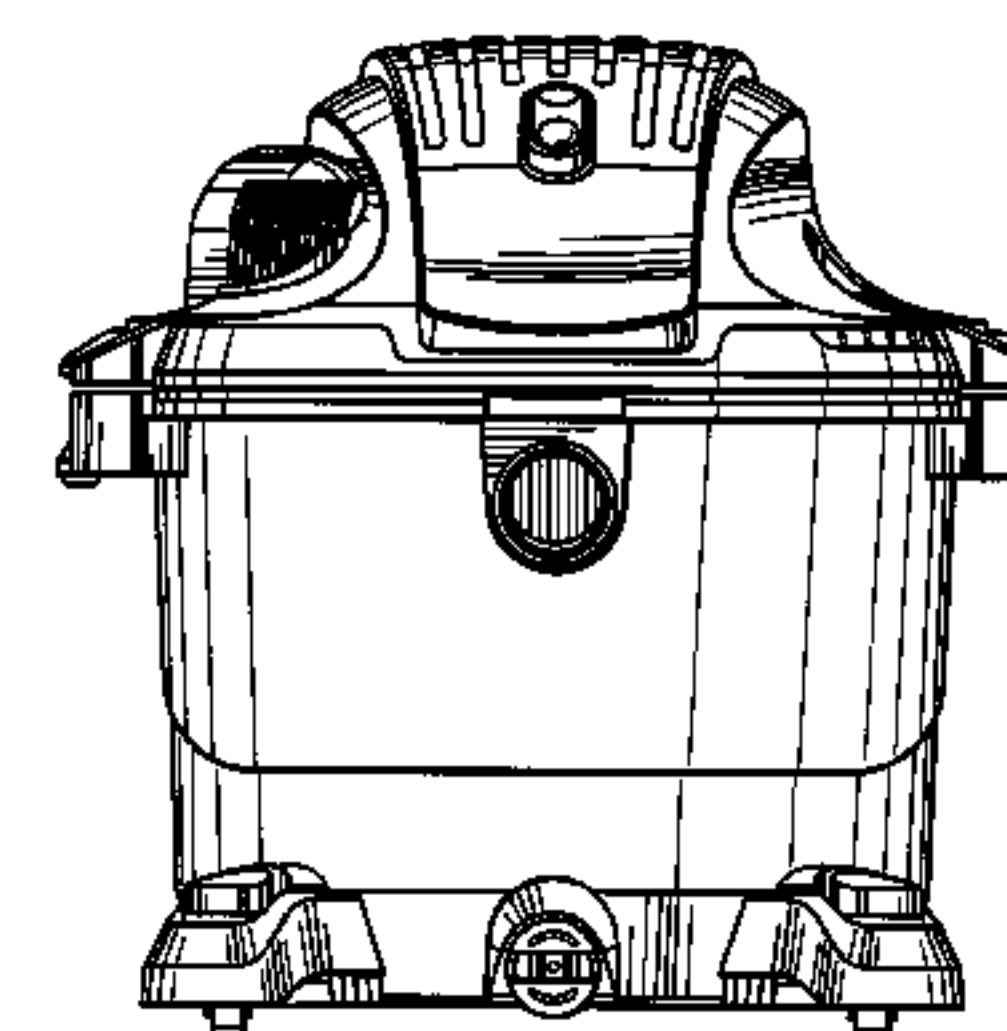
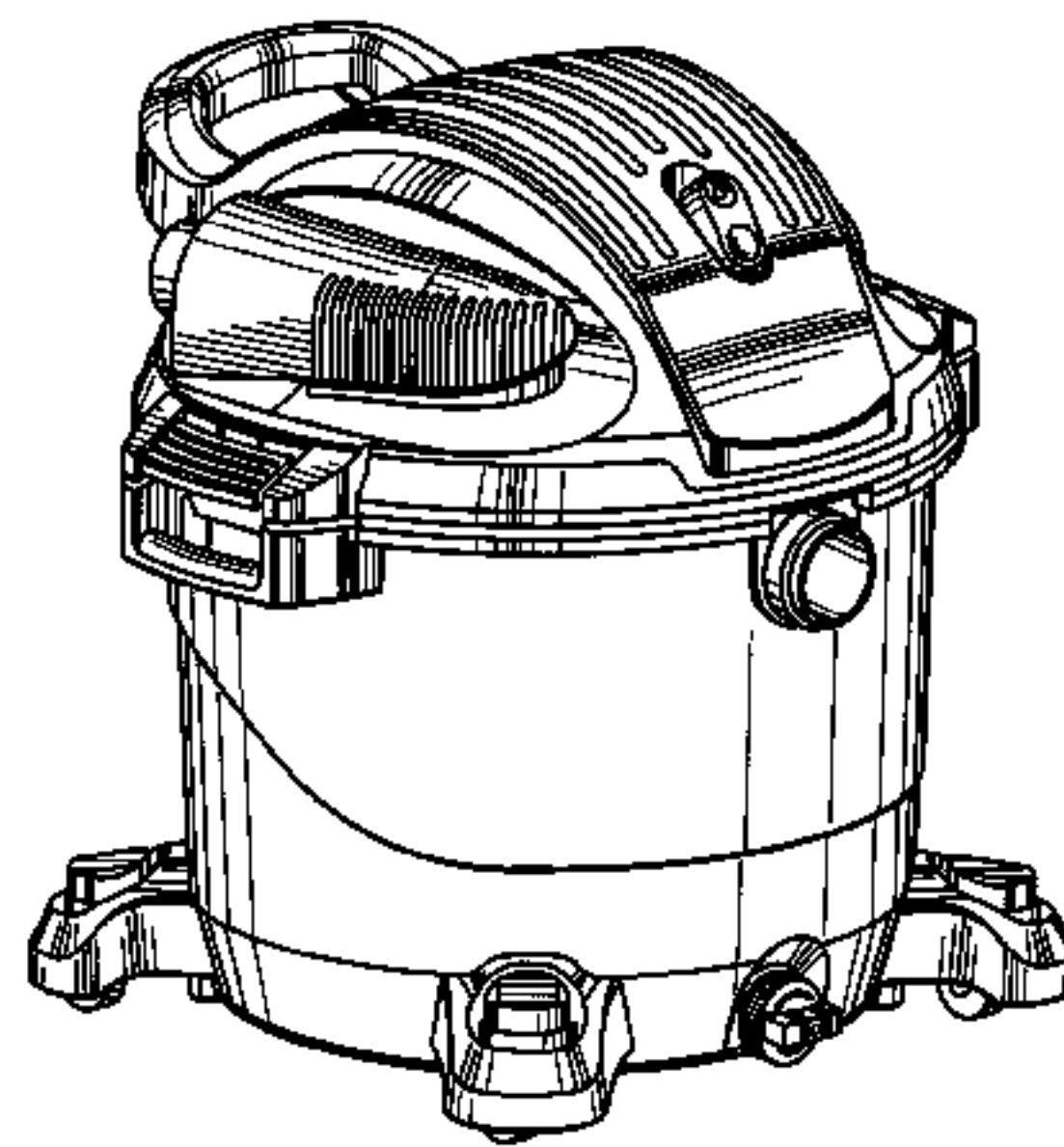
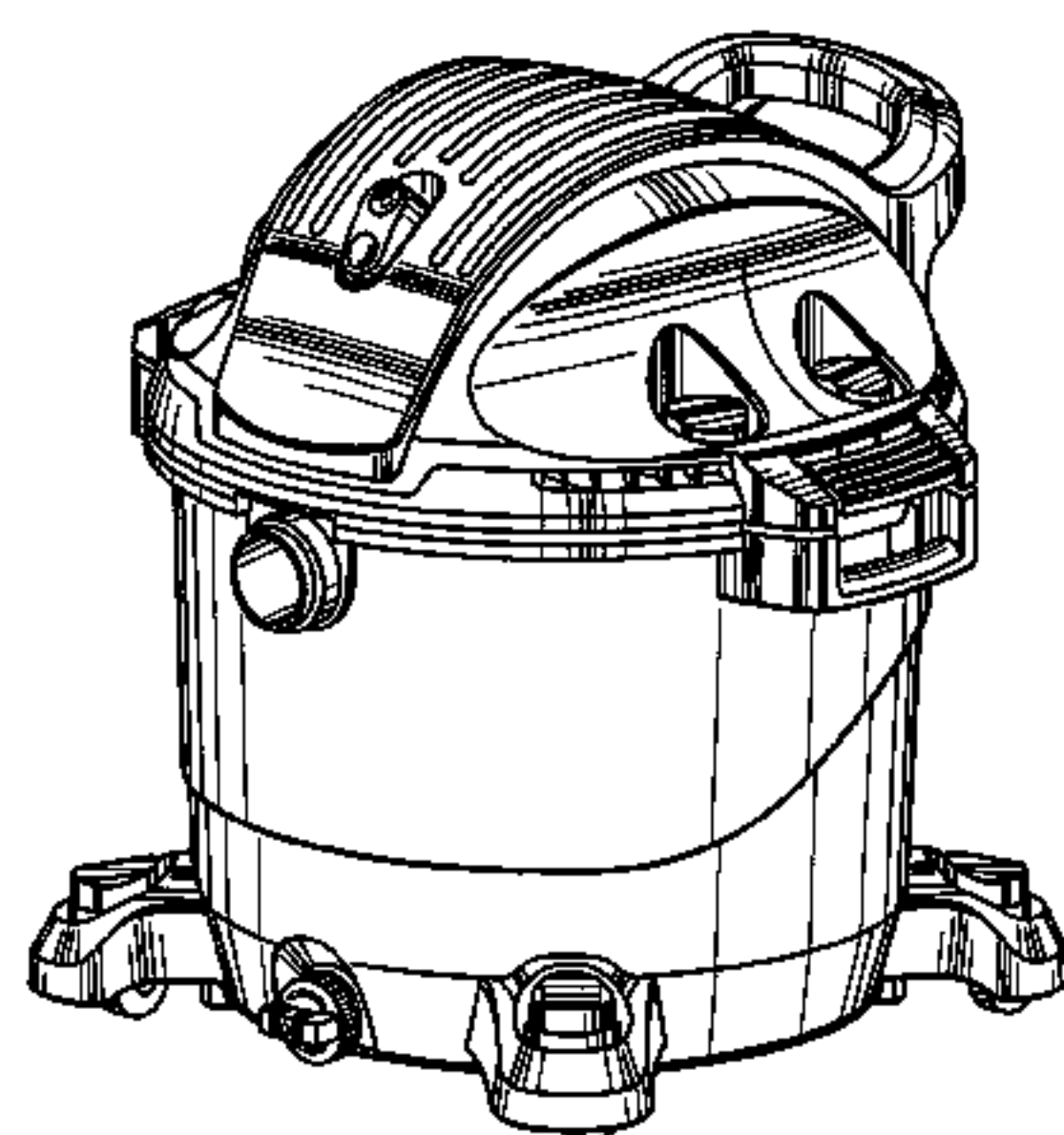
FIG. 6 is a back view thereof;

FIG. 7 is a left side view thereof;

FIG. 8 is a top view thereof; and,

FIG. 9 is a bottom view thereof.

**1 Claim, 5 Drawing Sheets**



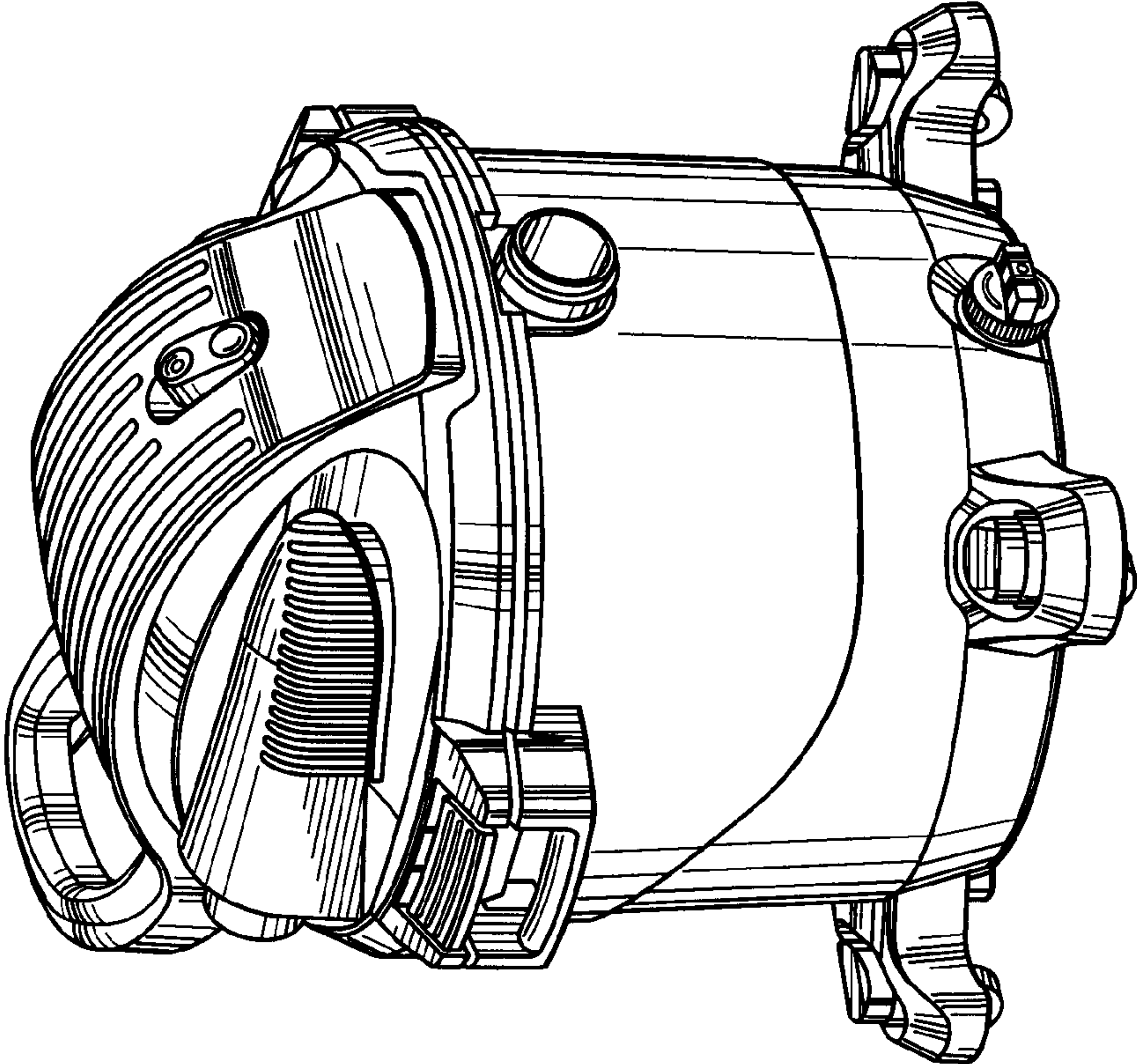


FIG. 1

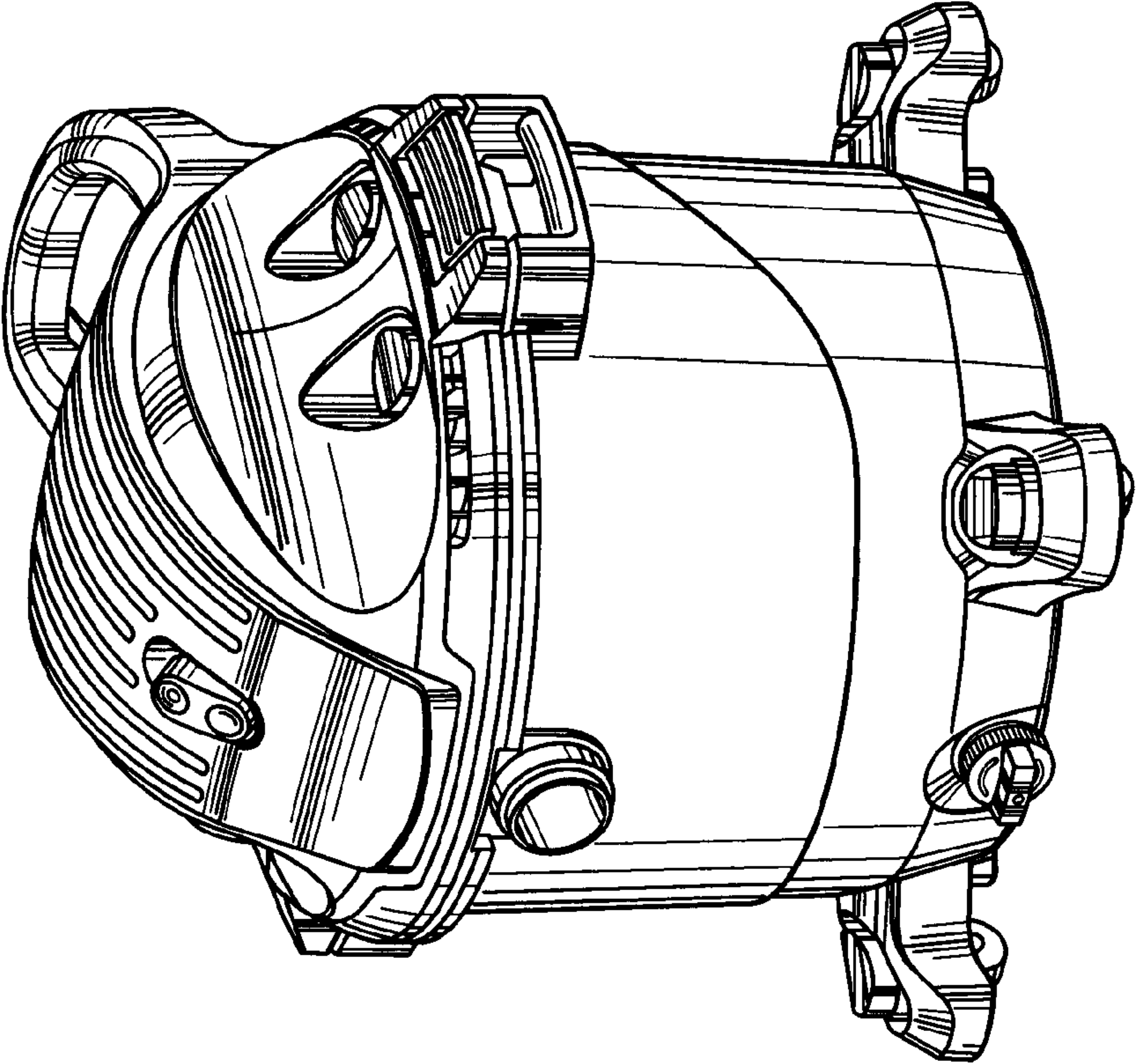


FIG. 2

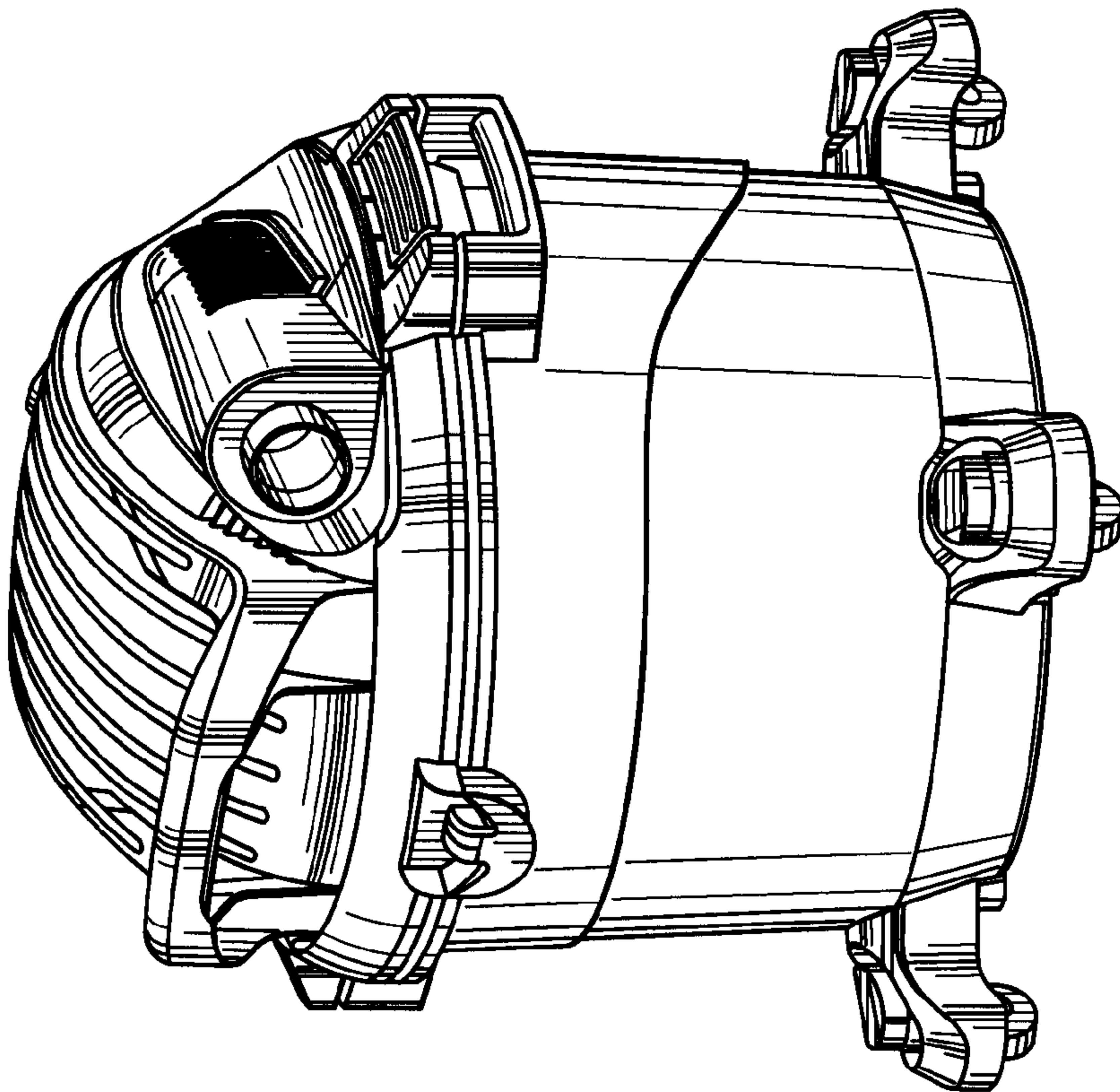


FIG. 3

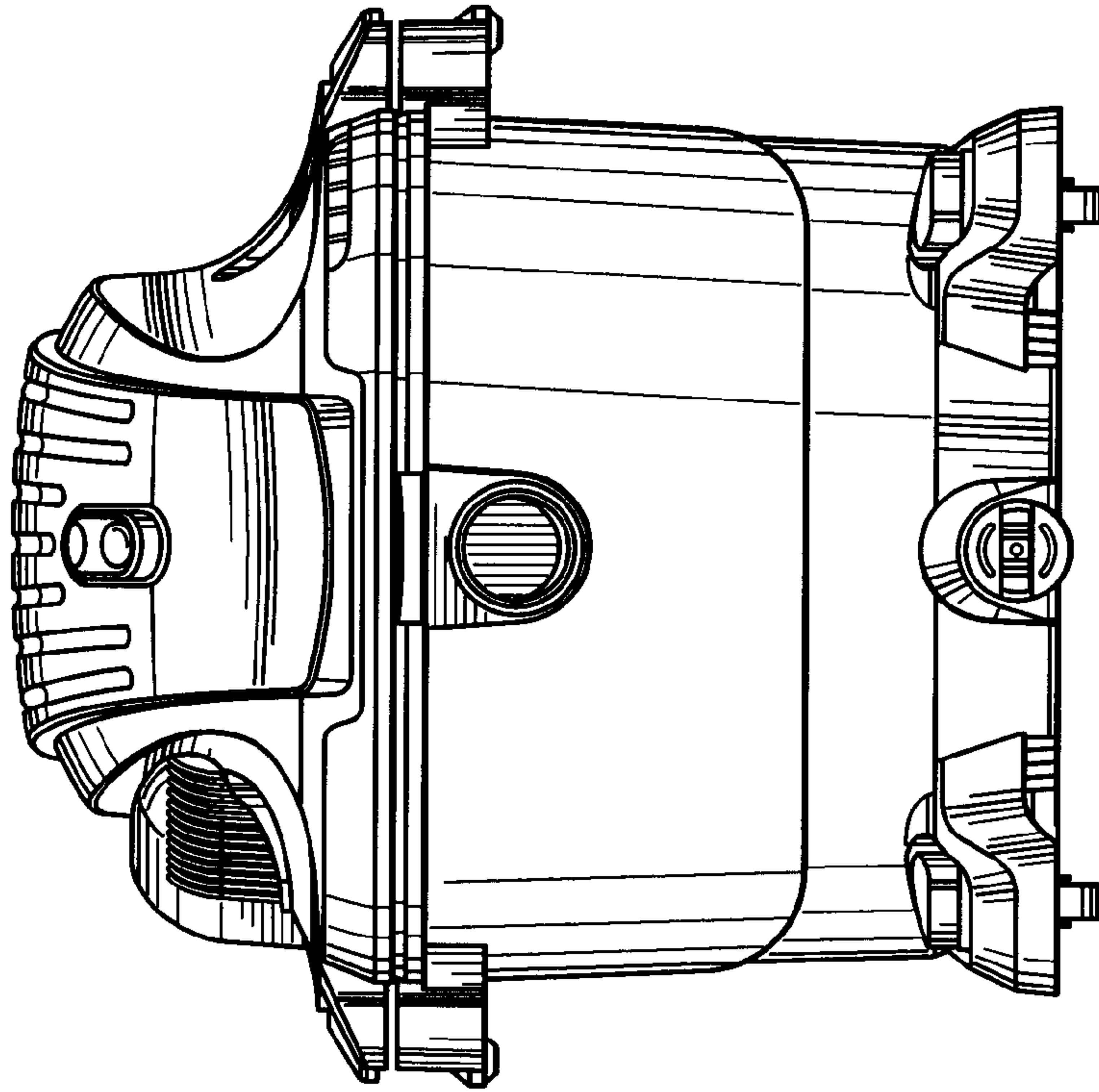


FIG. 4



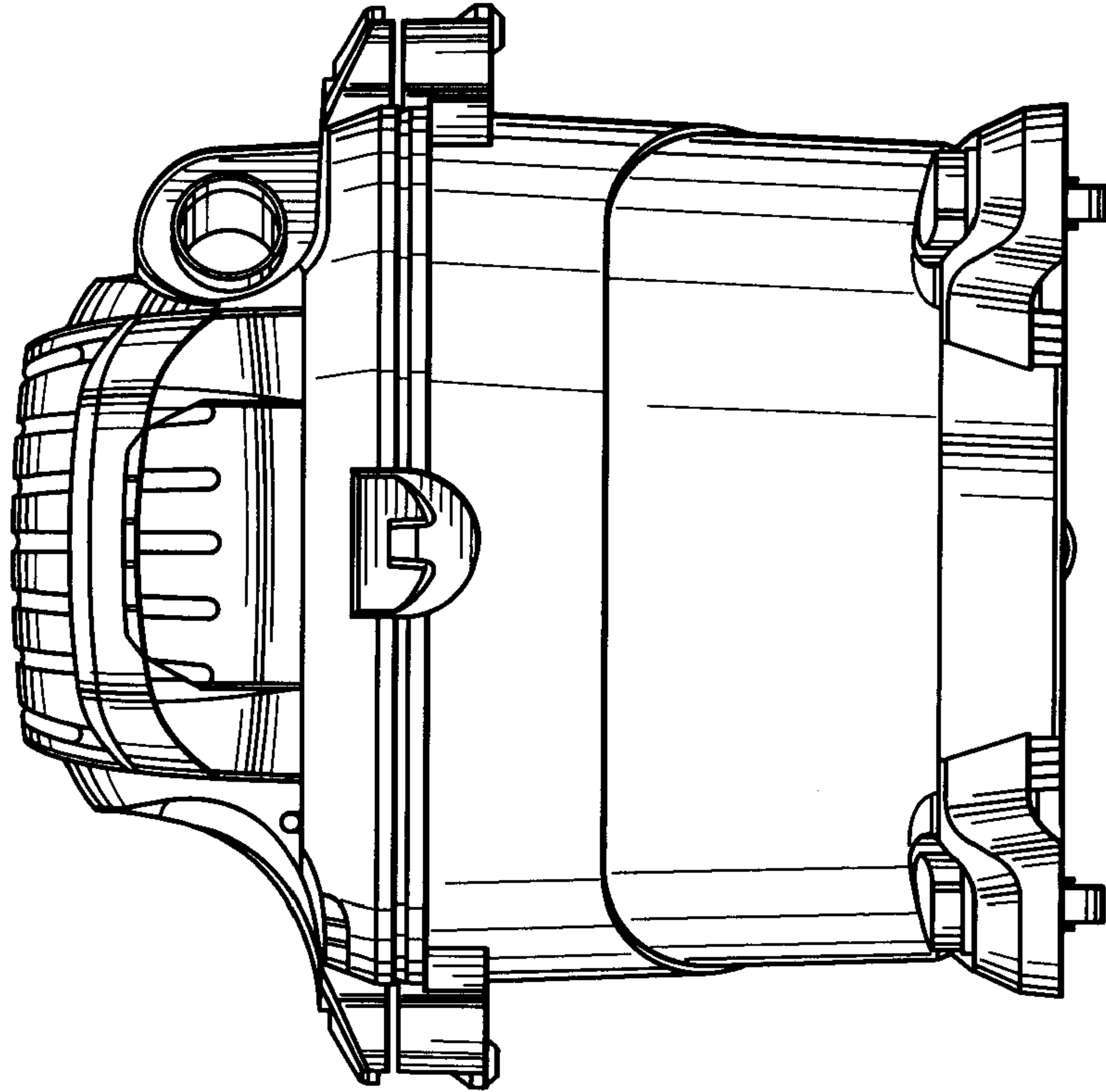


FIG. 6

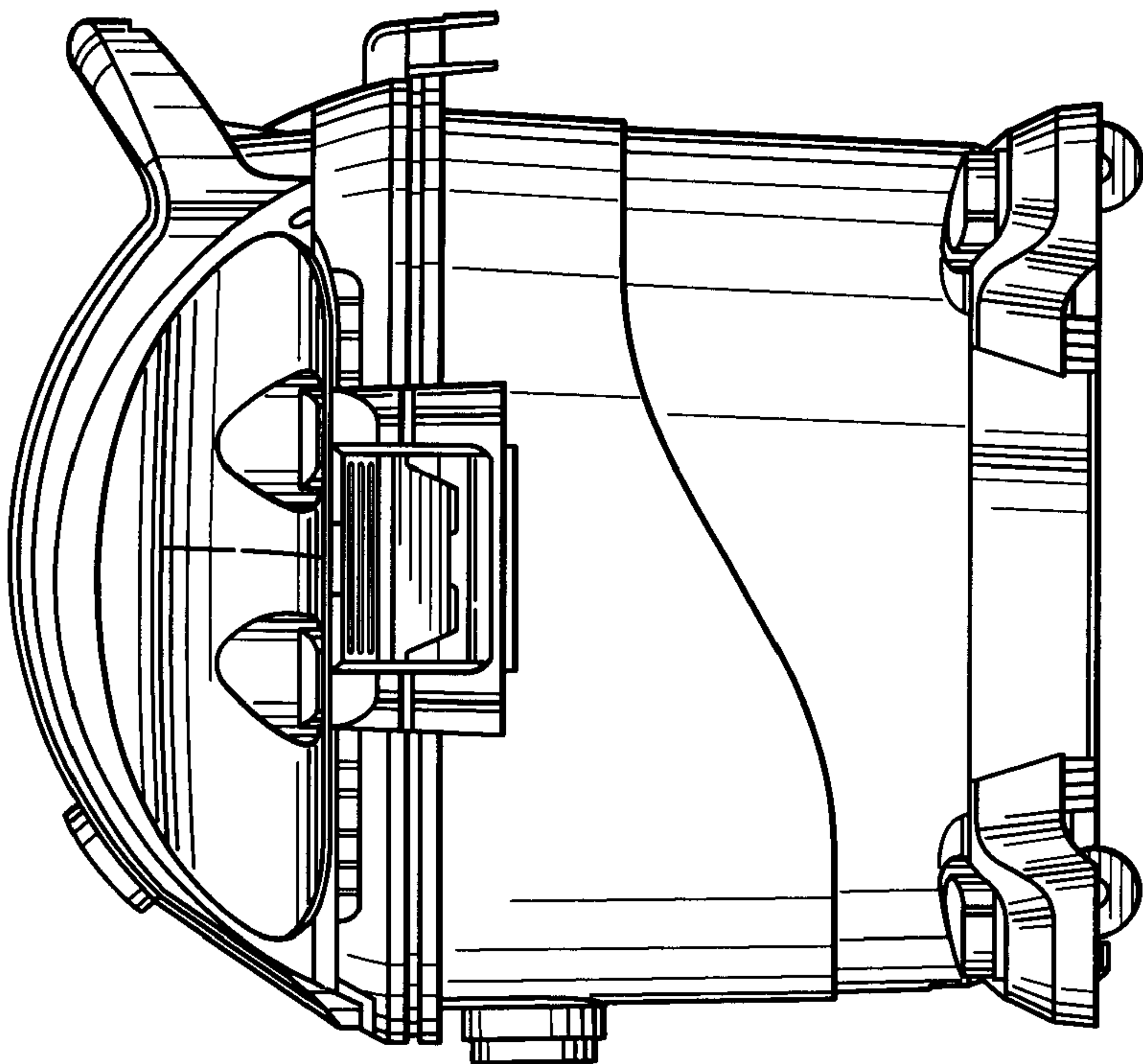


FIG. 5

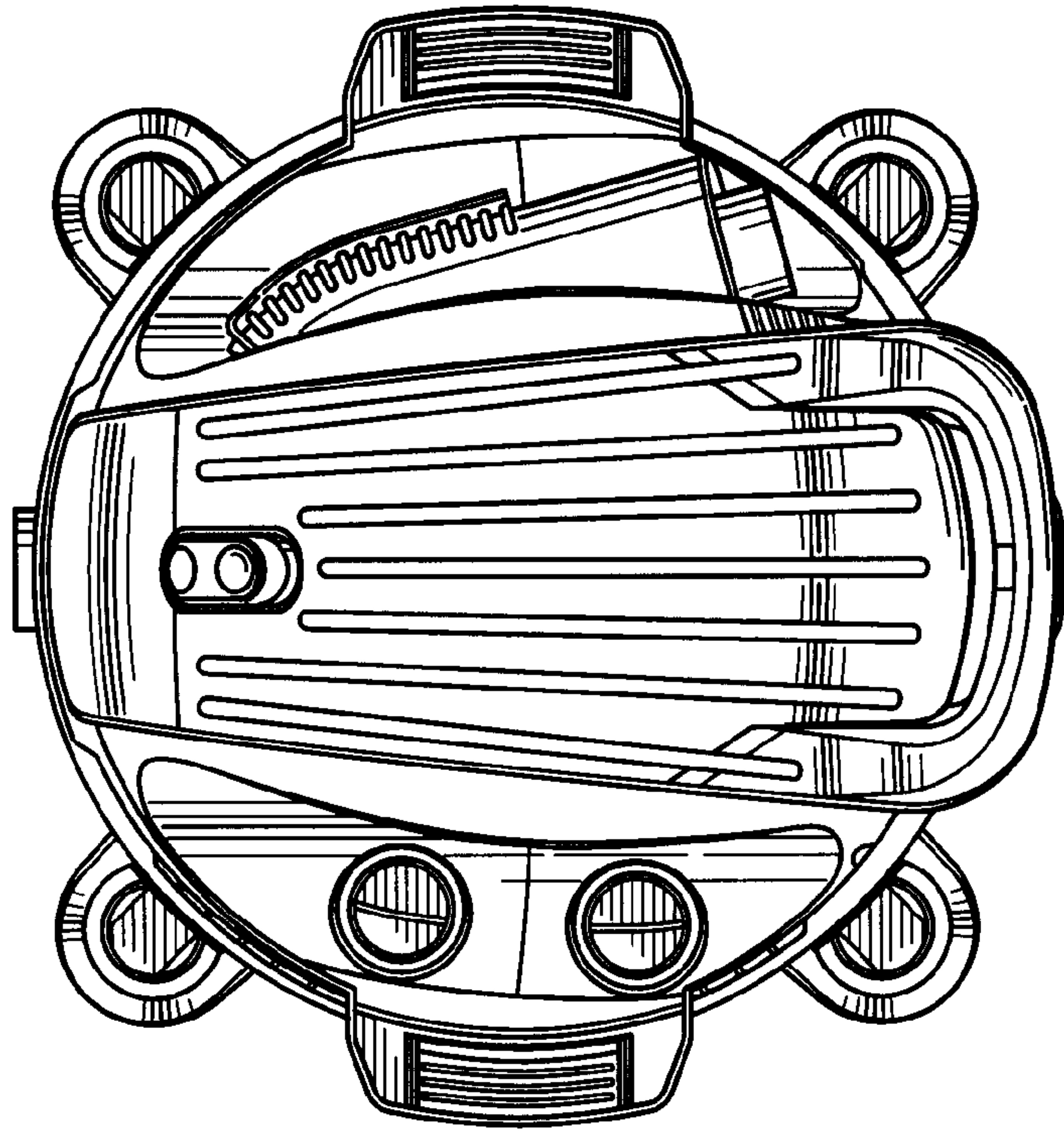


FIG. 8

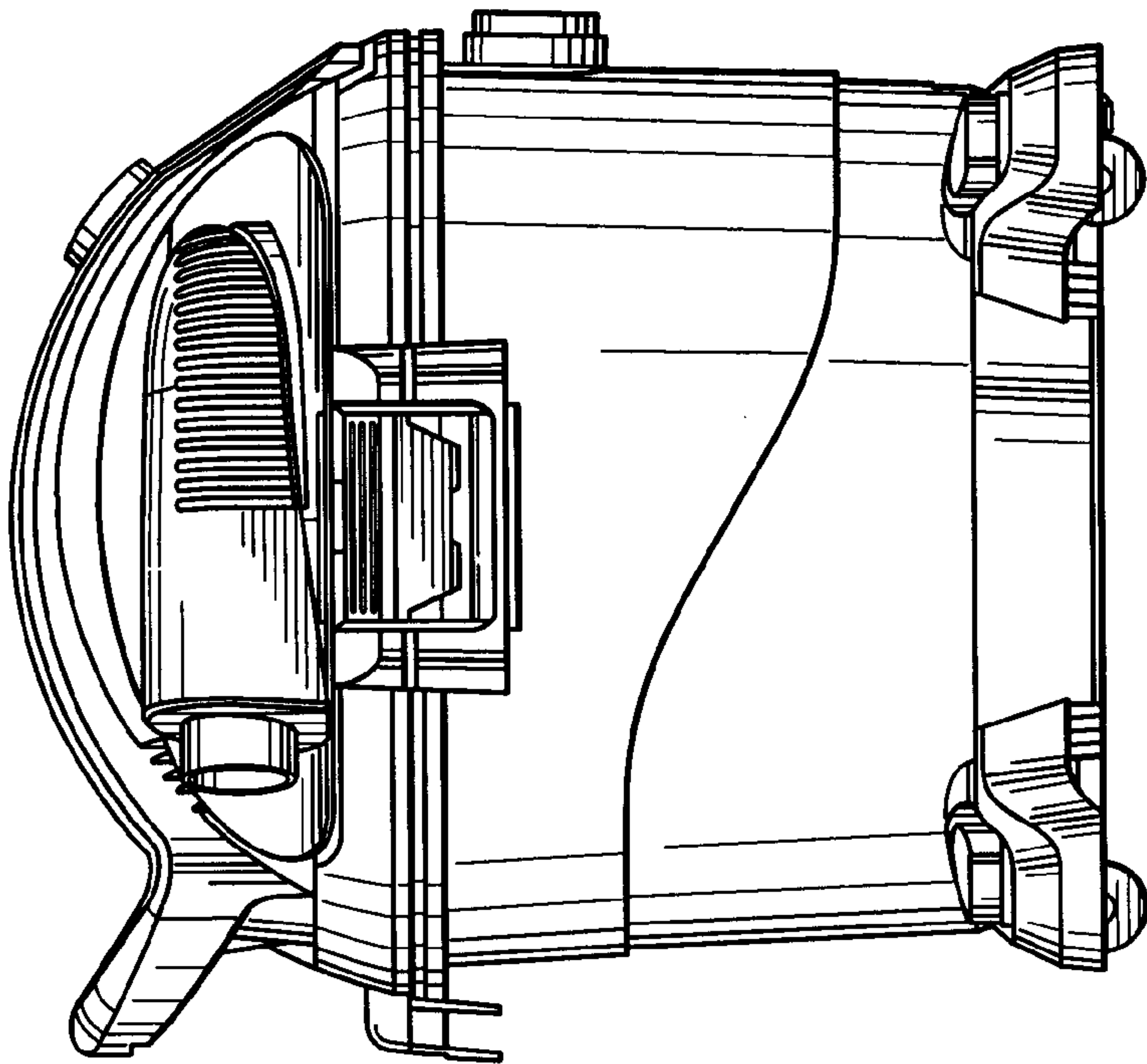
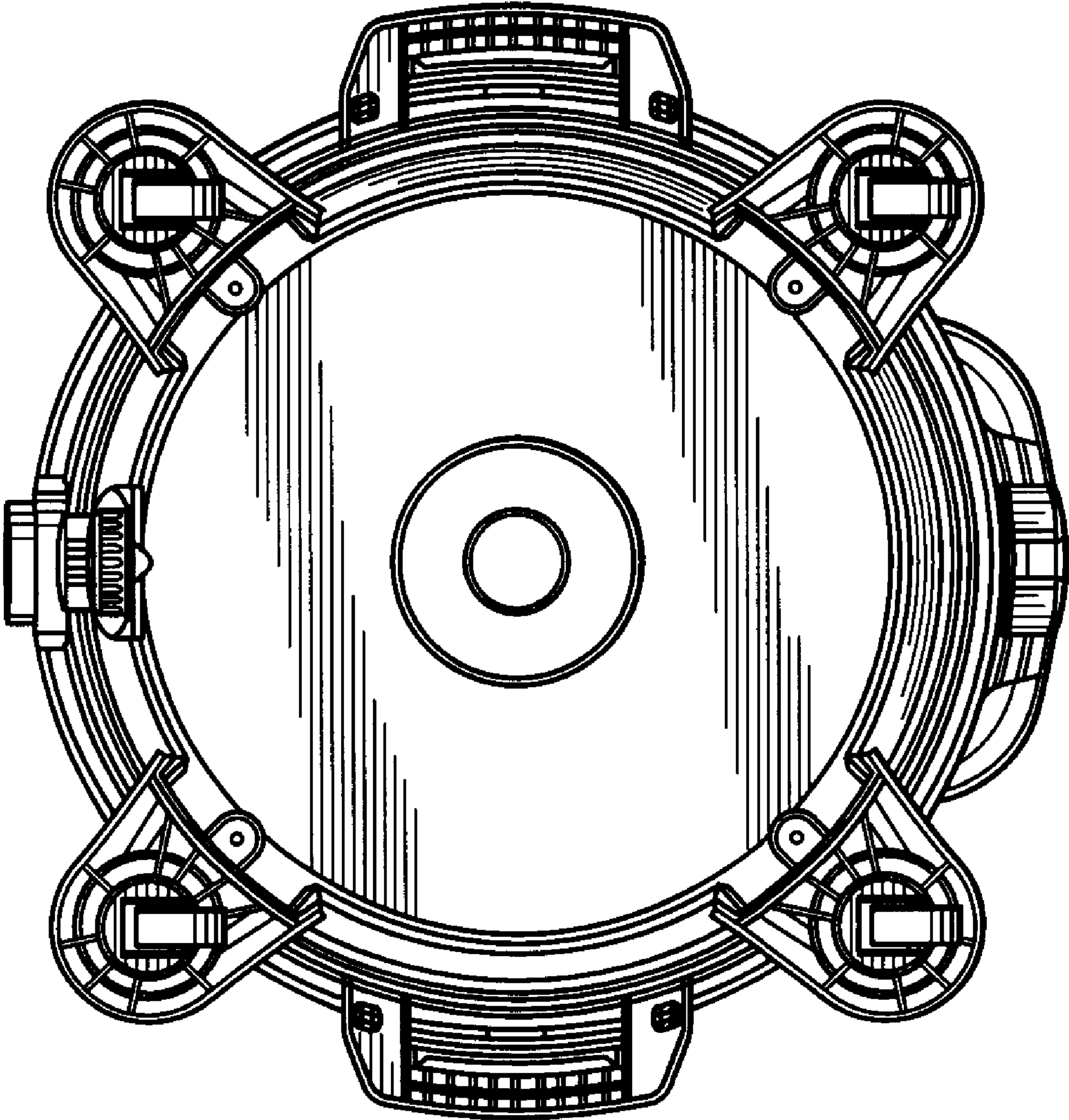


FIG. 7



**FIG. 9**