



US00D519240S

(12) **United States Design Patent**
Jackel-Marken

(10) **Patent No.:** **US D519,240 S**

(45) **Date of Patent:** **** Apr. 18, 2006**

(54) **COMBINATION OF COSMETIC BLOCKS**

(75) Inventor: **Ingrid Jackel-Marken**, Pasadena, CA (US)

(73) Assignee: **Physicians Formula Cosmetics, Inc.**, Azusa, CA (US)

(**) Term: **14 Years**

(21) Appl. No.: **29/228,864**

(22) Filed: **Apr. 29, 2005**

(51) **LOC (8) Cl.** **28-03**

(52) **U.S. Cl.** **D28/4**

(58) **Field of Classification Search** D28/4,
D28/8.1, 8.2; D24/101, 102; D14/489, 492;
132/293, 294, 303, 305; 424/69, 401, 467
See application file for complete search history.

(56) **References Cited**

U.S. PATENT DOCUMENTS

| | | | | | | |
|-----------|---|---|---------|----------|-------|---------|
| 1,488,282 | A | * | 3/1924 | Phillips | | 132/294 |
| D67,545 | S | | 6/1925 | Powell | | |
| 1,644,282 | A | * | 10/1927 | Sadler | | 132/294 |
| 1,672,649 | A | | 6/1928 | Lester | | |
| 2,365,143 | A | * | 12/1944 | Emery | | 132/294 |
| D275,803 | S | | 10/1984 | Beychok | | |
| D305,281 | S | | 1/1990 | Chen | | |

| | | | | | | |
|-----------|---|---|---------|---------------|-------|---------|
| D332,328 | S | | 1/1993 | Lombardi | | |
| 5,861,165 | A | * | 1/1999 | Joulia | | 424/401 |
| 6,085,759 | A | | 7/2000 | Joulia | | |
| D431,676 | S | | 10/2000 | Neergaard | | |
| D465,305 | S | | 11/2002 | Thorpe | | |
| D469,223 | S | | 1/2003 | Thorpe | | |
| D479,628 | S | | 9/2003 | Lee | | |
| D480,837 | S | | 10/2003 | Liu | | |
| D495,446 | S | * | 8/2004 | Jackel-Marken | | D28/4 |

* cited by examiner

Primary Examiner—Jennifer Rivard

(74) *Attorney, Agent, or Firm*—Michael E. Dergosits; Samuel S. Lee

(57) **CLAIM**

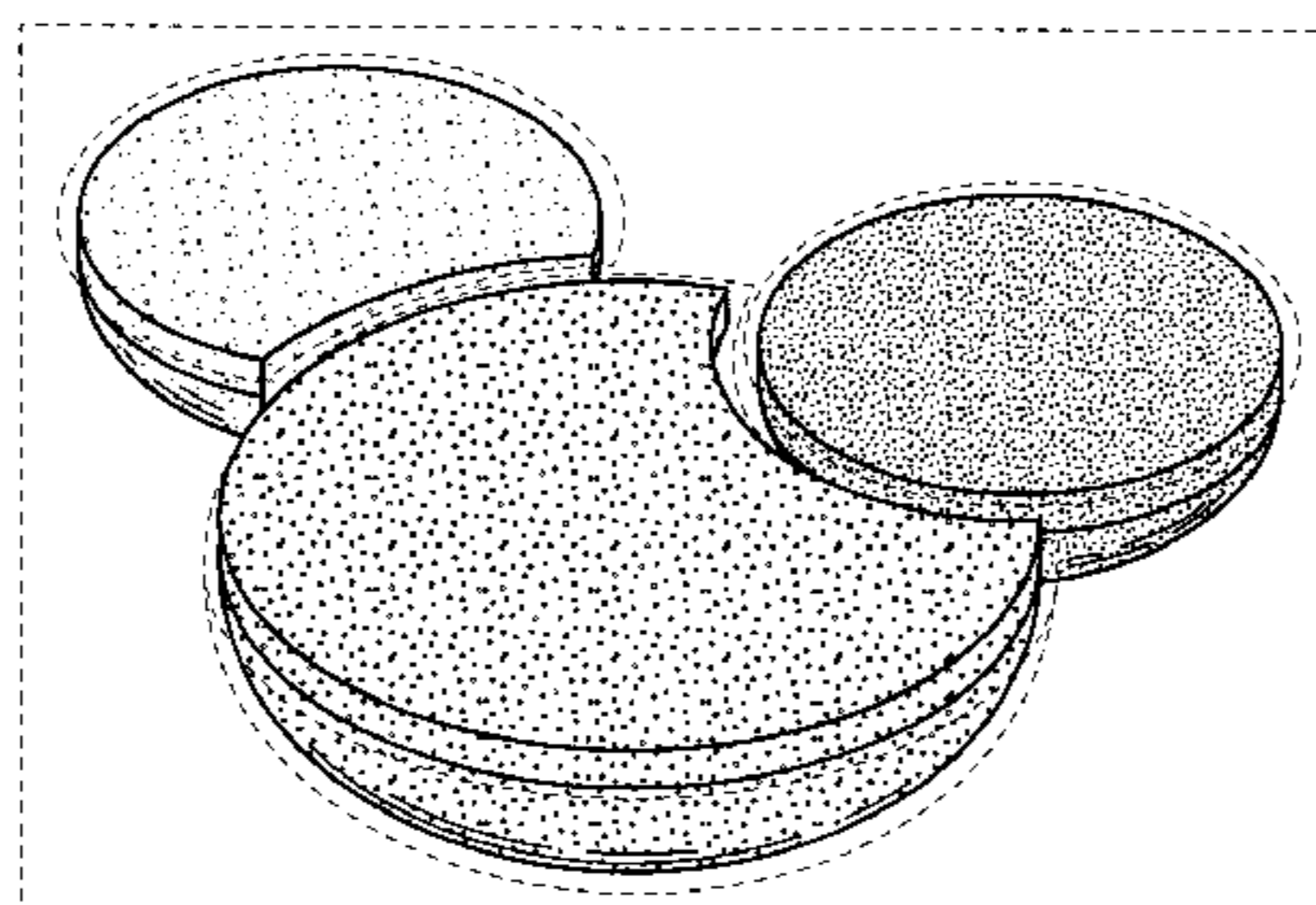
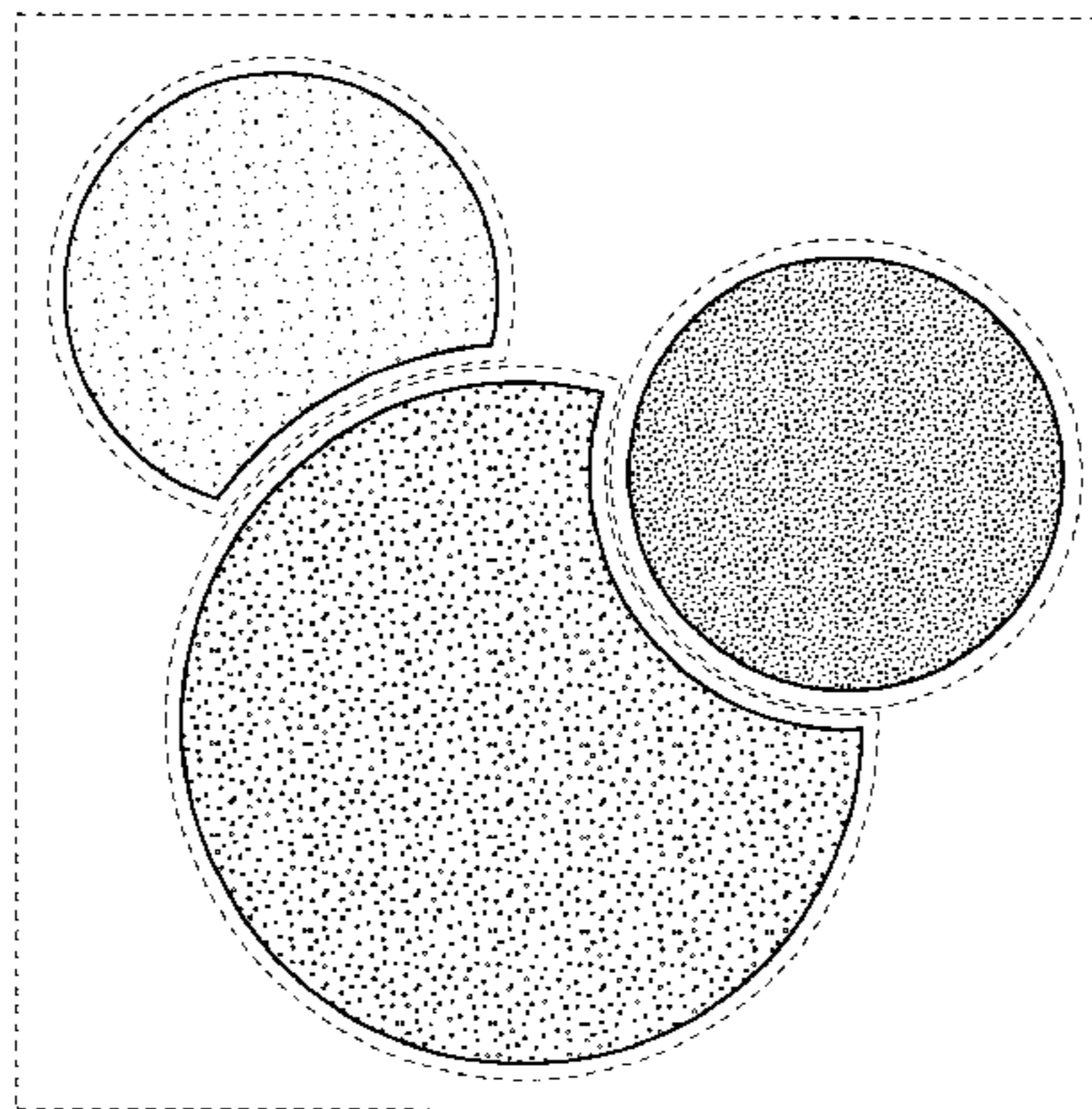
The ornamental design for a combination of cosmetic blocks, as shown and described.

DESCRIPTION

FIG. 1 is a top plan view of a combination of cosmetic blocks showing my new design; FIG. 2 is a perspective view of FIG. 1; FIG. 3 is a side view of FIG. 1; and, FIG. 4 is a bottom view of FIG. 1.

The container shown in broken lines in each of these drawings is for illustrative purposes and forms no part of the claimed design.

1 Claim, 2 Drawing Sheets



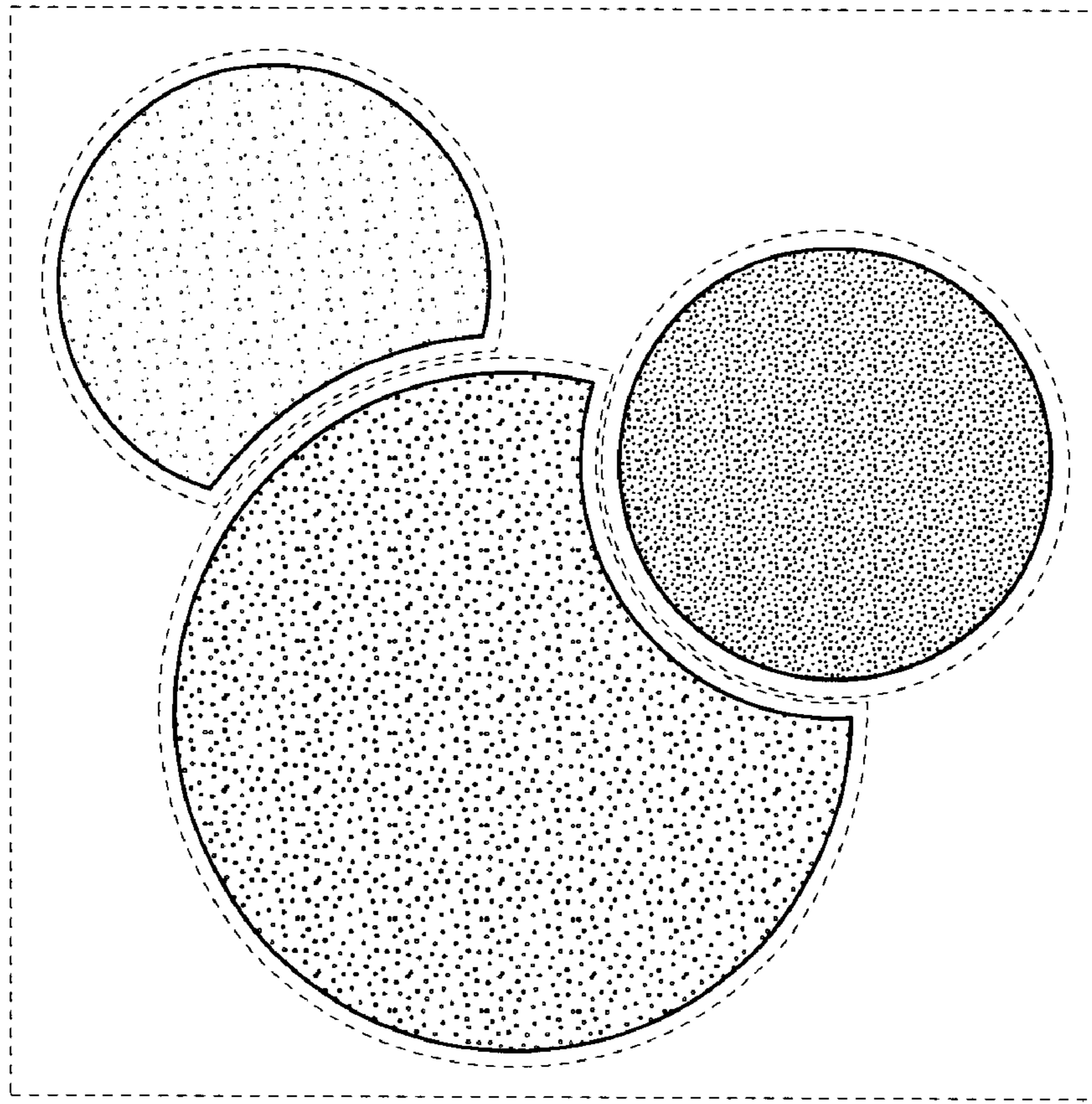


FIG. 1

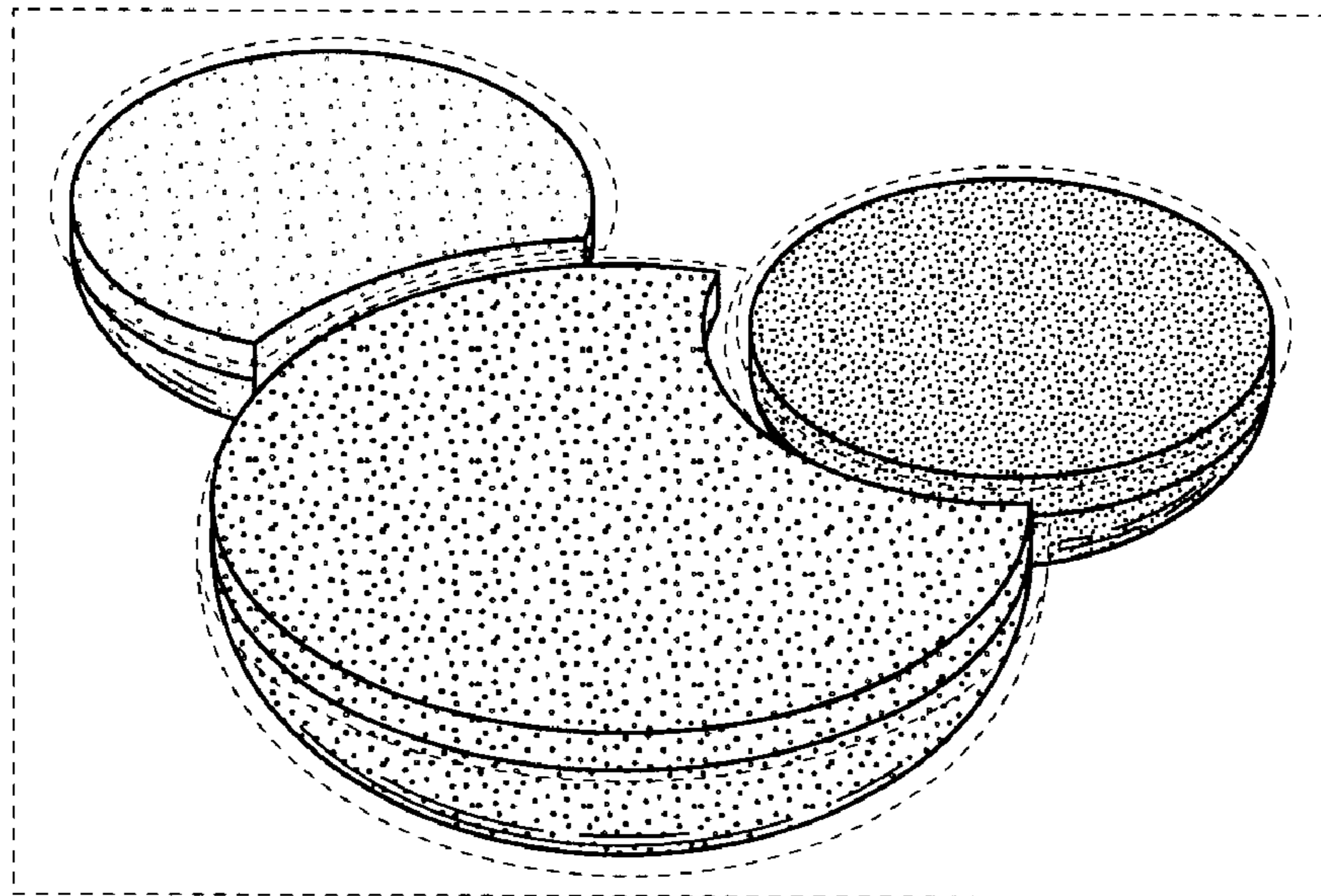


FIG. 2

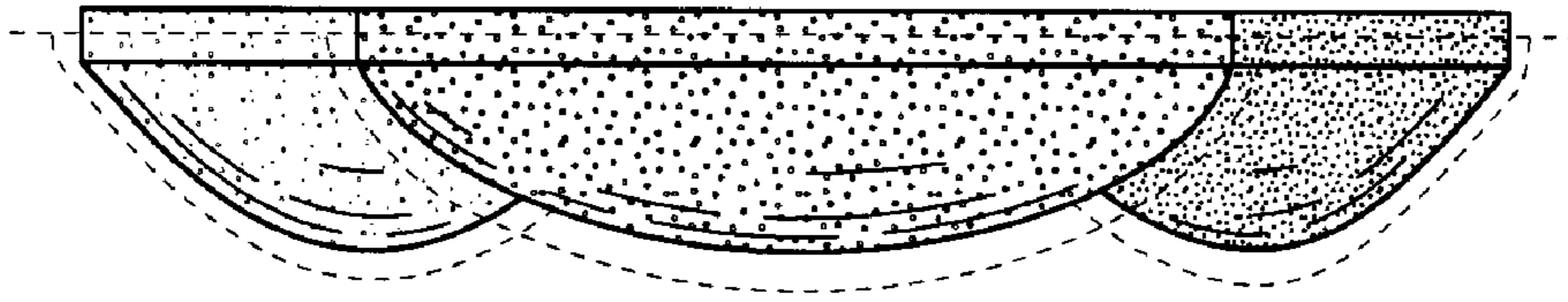


FIG. 3

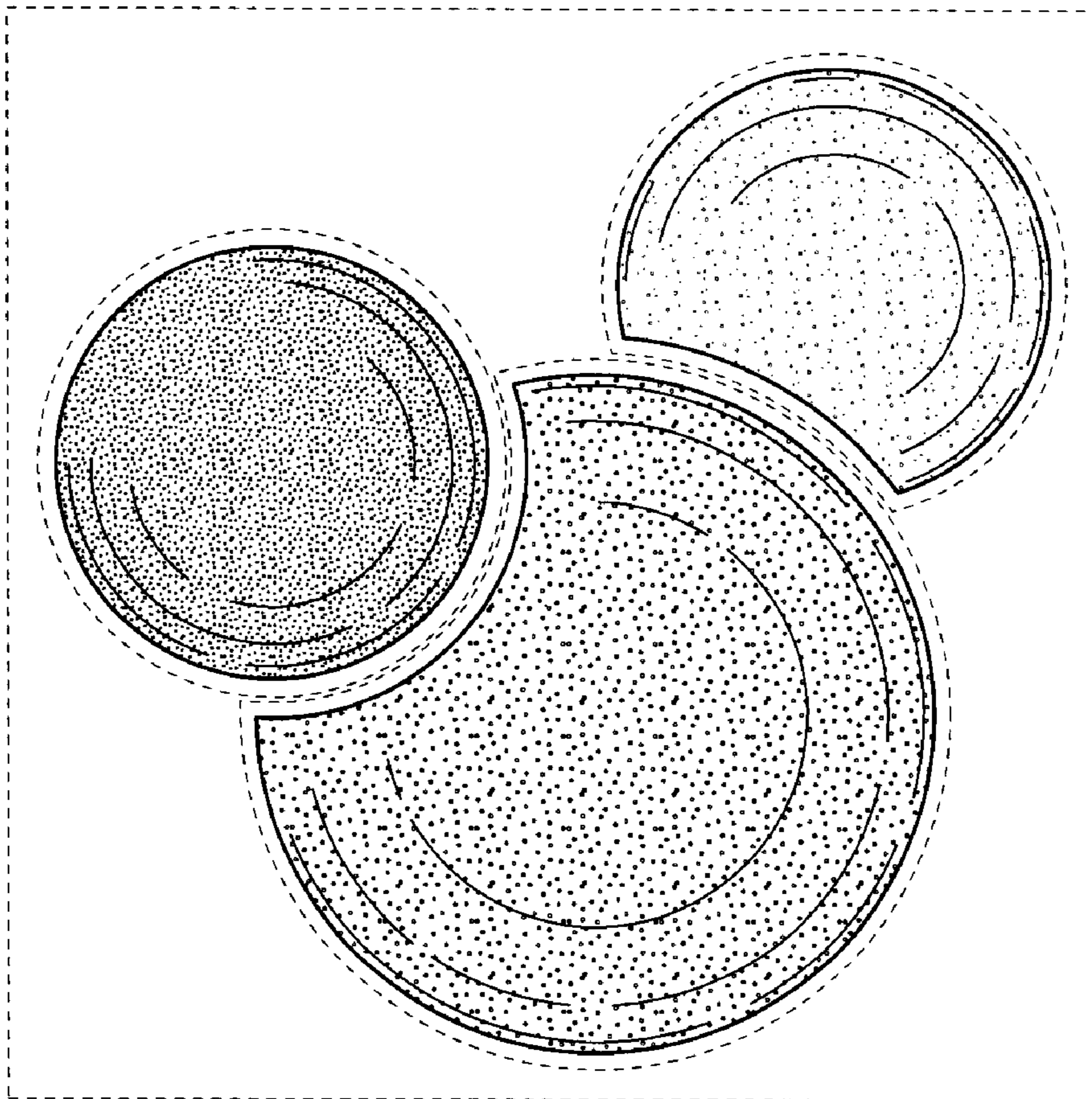


FIG. 4