



US00D519238S

(12) **United States Design Patent**
Leen

(10) **Patent No.:** **US D519,238 S**

(45) **Date of Patent:** **** Apr. 18, 2006**

(54) **ROUND BODY WORKLIGHT**

(76) Inventor: **Monte A. Leen**, 11730 NE. 12th St.,
Bellevue, WA (US) 98005

(**) Term: **14 Years**

(21) Appl. No.: **29/226,109**

(22) Filed: **Mar. 23, 2005**

(51) **LOC (8) Cl.** **26-99**

(52) **U.S. Cl.** **D26/119**

(58) **Field of Classification Search** D26/37-50;
362/157, 158, 171-174, 183-208
See application file for complete search history.

(56) **References Cited**

U.S. PATENT DOCUMENTS

D375,377 S	*	11/1996	Leen	D26/63
D400,290 S	*	10/1998	Hart	D26/119
D403,094 S	*	12/1998	Grossman et al.	D26/63
D403,455 S	*	12/1998	Duennes	D26/50
D417,031 S	*	11/1999	Joyner et al.	D26/119
D471,661 S	*	3/2003	Reisbord	D26/40

OTHER PUBLICATIONS

Regent WZT 1500 Stand Light: Found on Internet (See Picture Attached).

Regent WZ 750 Portable Light: Found on Internet (See Picture Attached).

* cited by examiner

Primary Examiner—Marcus A. Jackson

(74) *Attorney, Agent, or Firm*—Dean A. Craine

(57) **CLAIM**

The ornamental design for a round body worklight, as shown and described.

DESCRIPTION

FIG. 1 is a perspective view of a round body worklight.

FIG. 2 is a top plan view of the invention.

FIG. 3 is a left side elevational view of the invention.

FIG. 4 is a right side elevational view of the invention.

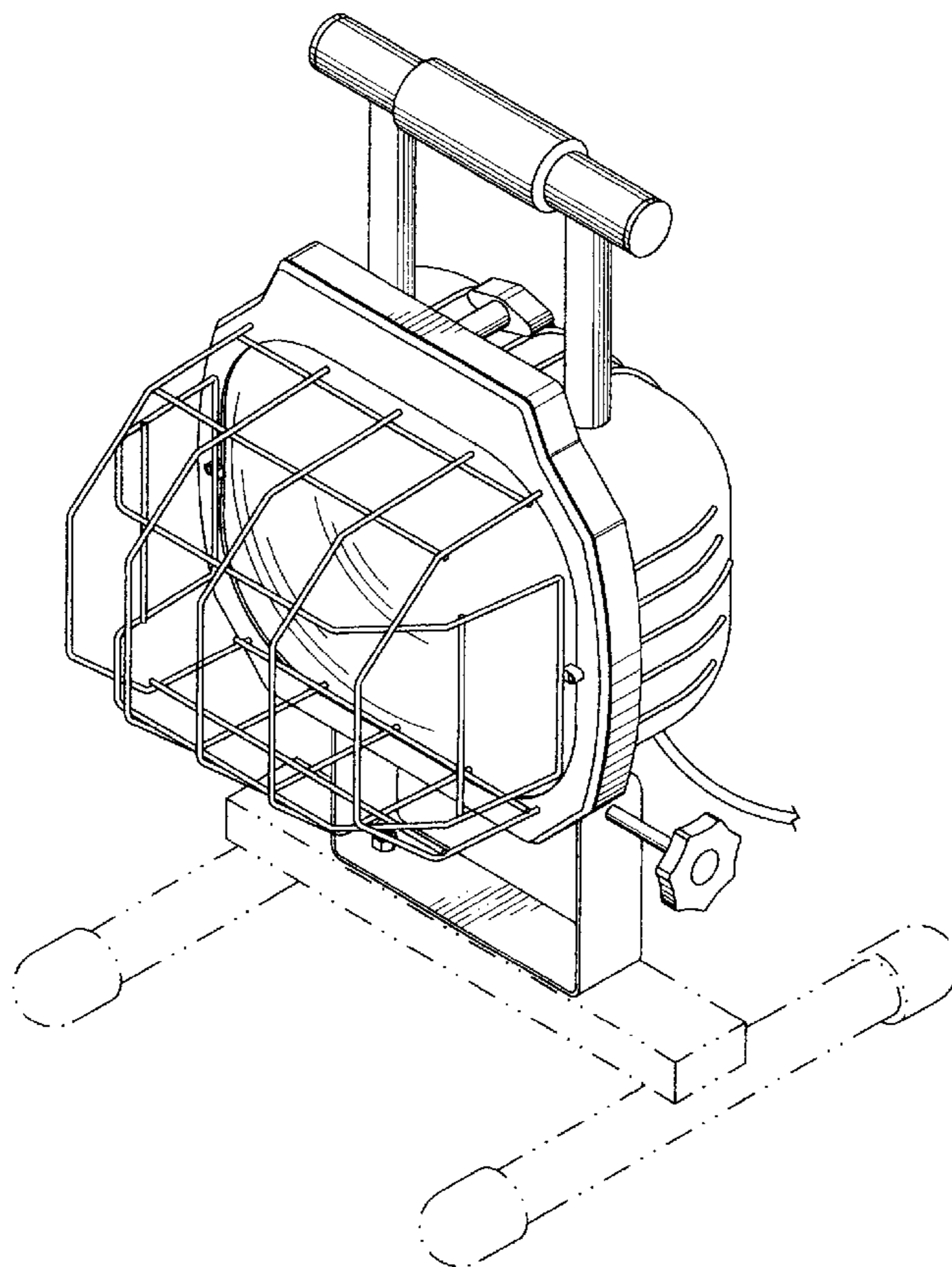
FIG. 5 is a bottom plan view of the invention.

FIG. 6 is a front elevational view of the invention; and,

FIG. 7 is a rear elevational view of the invention.

The broken line showing of the base portion is for illustrative purposes only and forms no part of the claimed design.

1 Claim, 4 Drawing Sheets



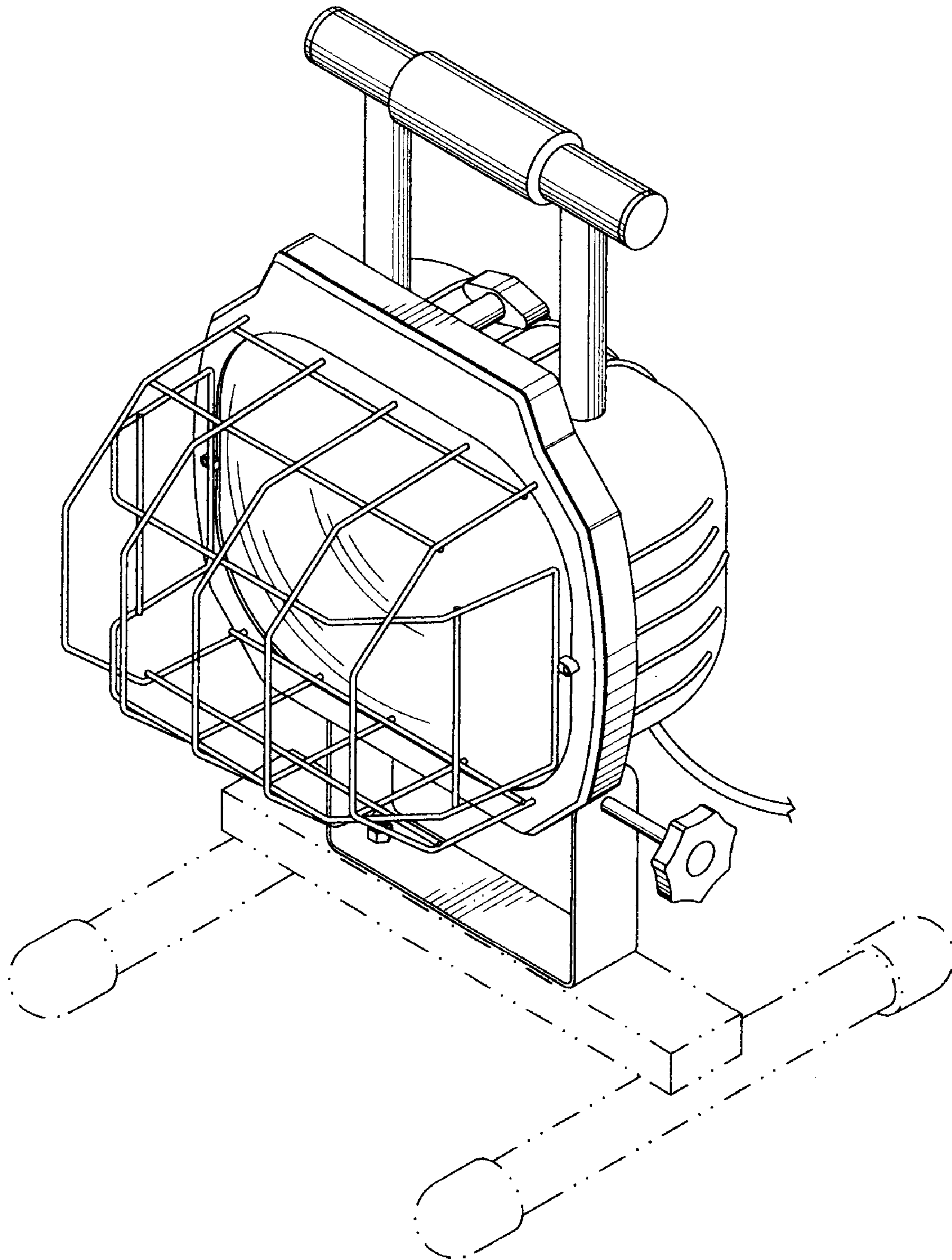


Fig. 1

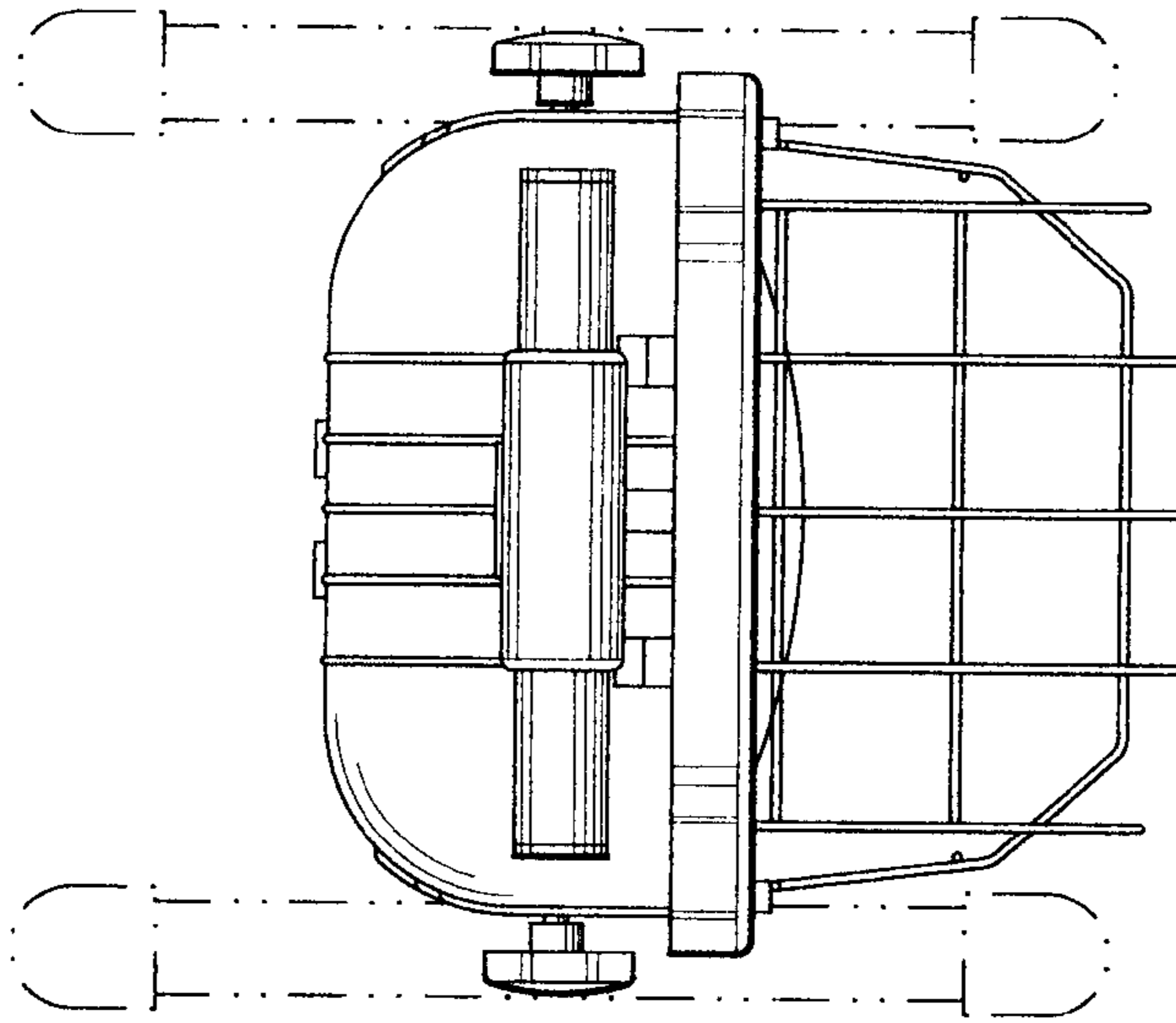


Fig. 2

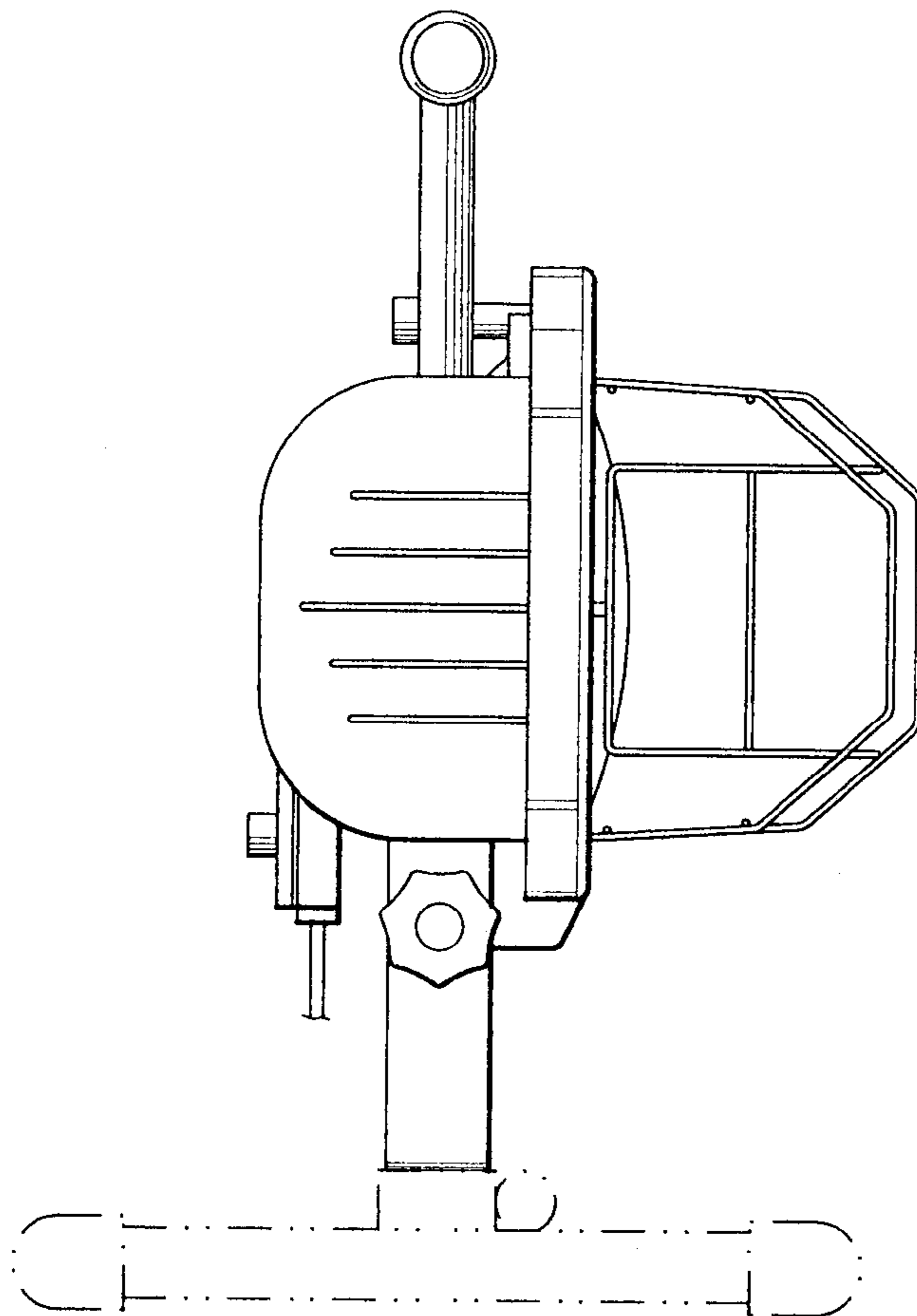


Fig. 3

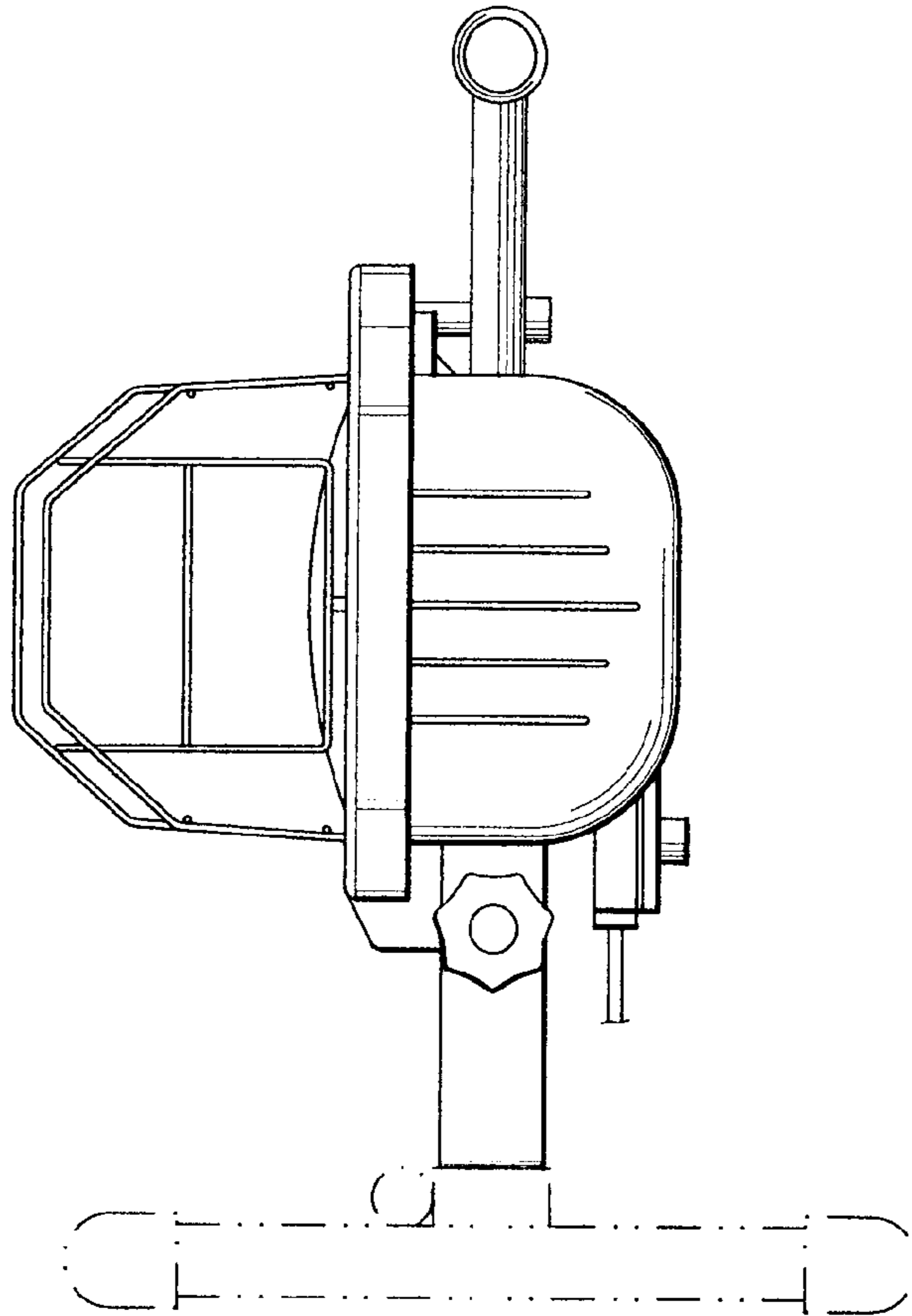


Fig. 4

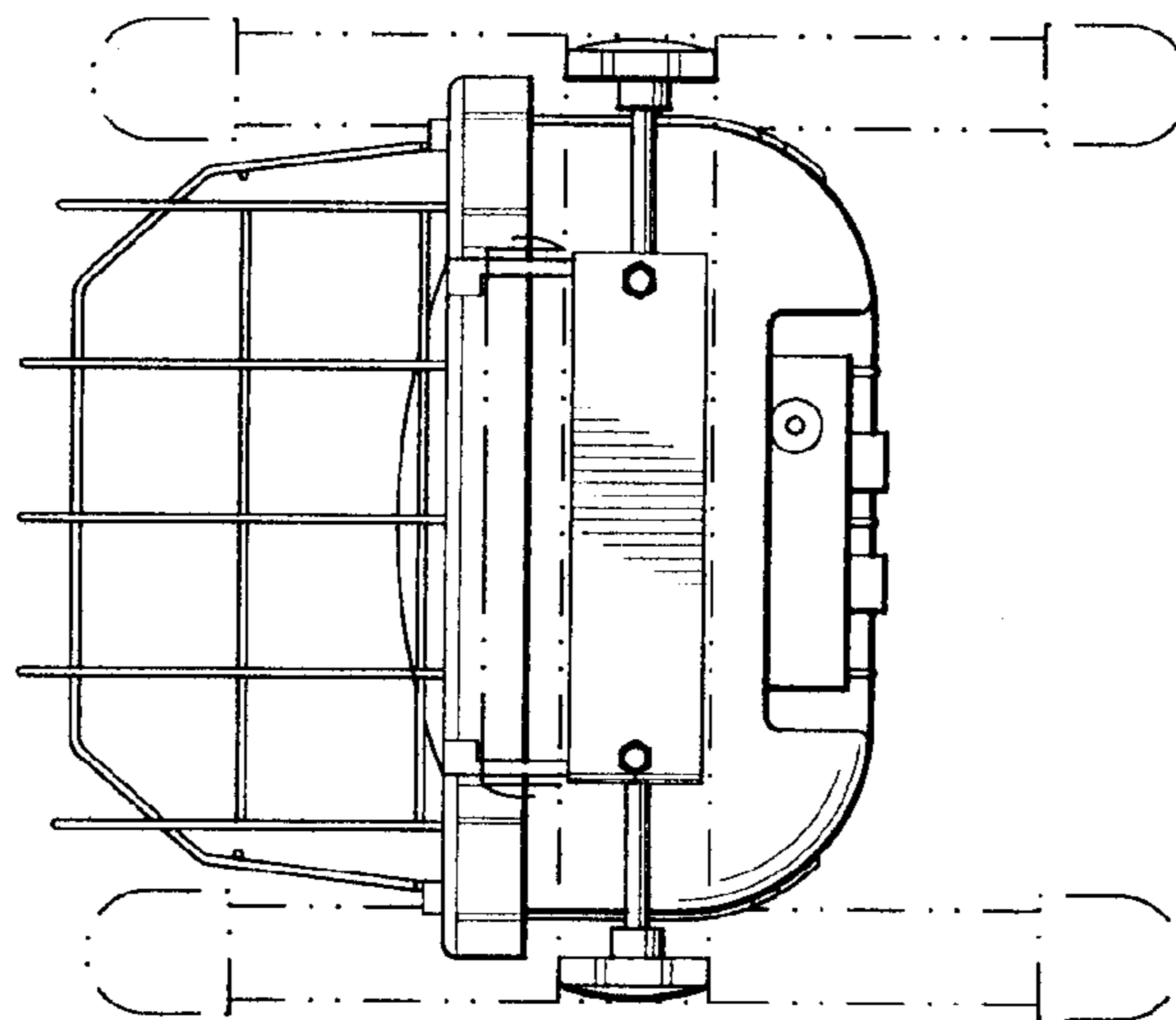


Fig. 5

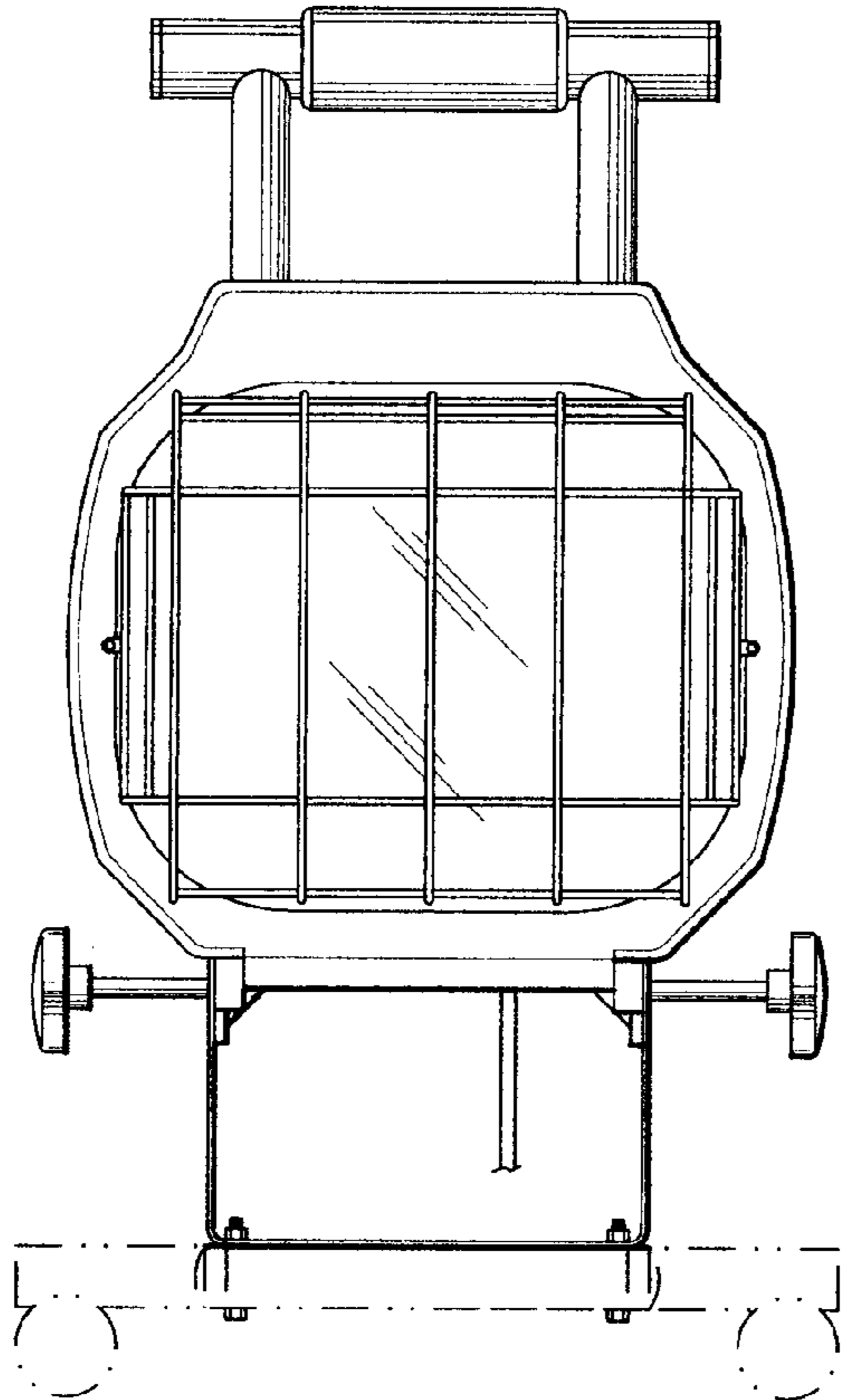


Fig. 6

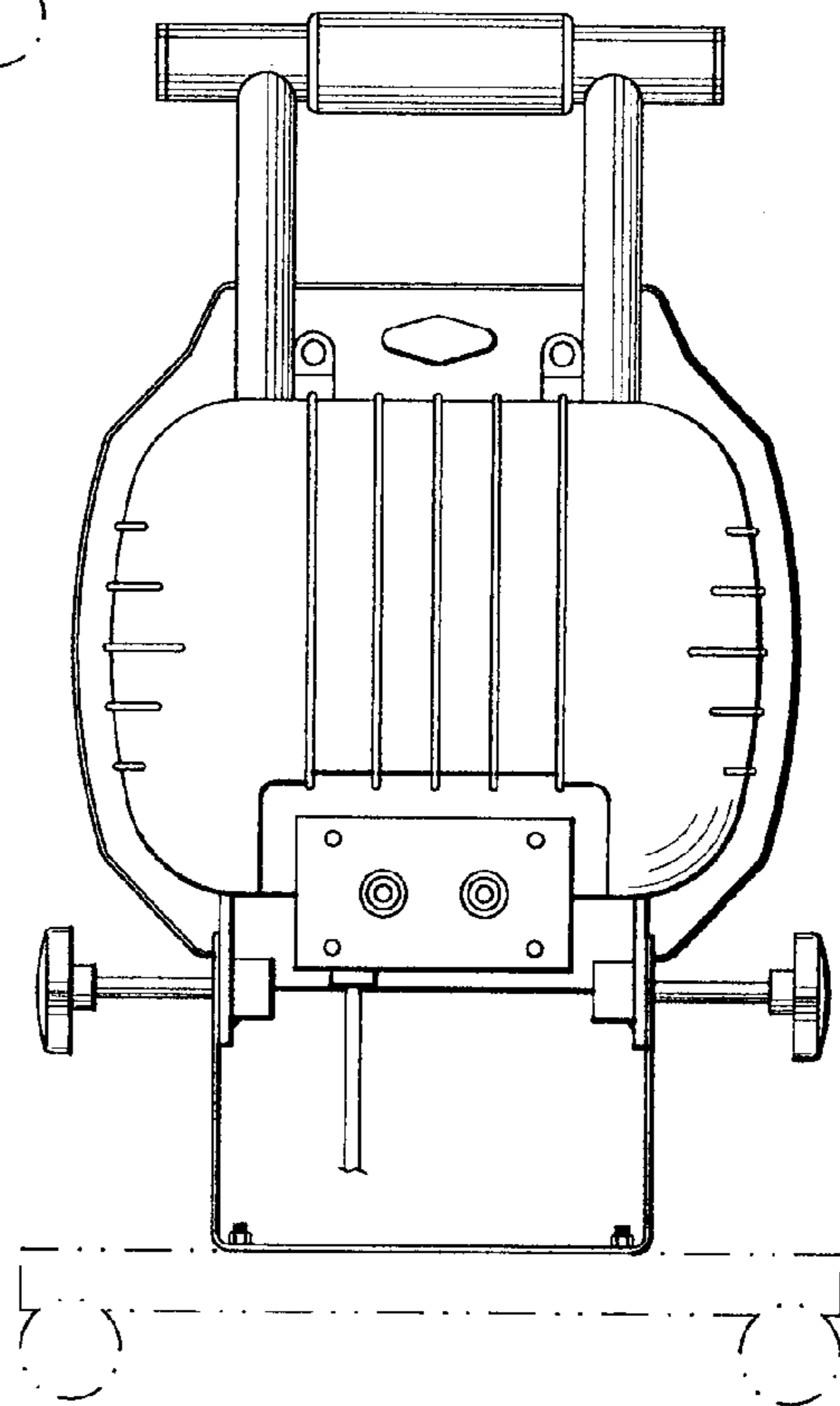


Fig. 7