



US00D519235S

(12) **United States Design Patent**
Krieger et al.

(10) **Patent No.:** **US D519,235 S**
(45) **Date of Patent:** **** Apr. 18, 2006**

(54) **SPOTLIGHT HANDLE WITH AREA WORK LIGHTS**

U.S. Appl. No. 29/222,173, filed Jan. 27, 2005.
U.S. Appl. No. 29/222,176, filed Jan. 27, 2005.

(75) Inventors: **Michael Krieger**, Miami Beach, FL (US); **Kevin Ellsworth**, Hollywood, FL (US)

* cited by examiner

(73) Assignee: **Vector Products, Inc.**, Ft. Lauderdale, FL (US)

Primary Examiner—Marcus A. Jackson
(74) *Attorney, Agent, or Firm*—Venable LLP; Robert Kinberg; Manni Li

(**) Term: **14 Years**

(57) **CLAIM**

(21) Appl. No.: **29/225,056**

The ornamental design for a spotlight handle with area work lights, as shown and described.

(22) Filed: **Mar. 11, 2005**

DESCRIPTION

(51) **LOC (8) Cl.** **26-02**

(52) **U.S. Cl.** **D26/45**

(58) **Field of Classification Search** D26/37-50;
362/157, 158, 171-174, 183-208

See application file for complete search history.

FIG. 1 is a perspective view from the front-top-left side of the spotlight handle with area work lights showing our new design;

FIG. 2 is a front view of the design shown in FIG. 1;

FIG. 3 is a rear view of the design shown in FIG. 1;

FIG. 4 is a left side view of the design shown in FIG. 1;

FIG. 5 is a right side view of the design shown in FIG. 1;

FIG. 6 is a top view of the design shown in FIG. 1; and,

FIG. 7 is a bottom view of the design shown in FIG. 1.

The broken lines immediately adjacent the shaded areas represent the bounds of the claimed design while all other broken lines are for illustrative purposes only; the broken lines form no part of the claimed design.

(56) **References Cited**

U.S. PATENT DOCUMENTS

D429,013 S * 8/2000 Poon D26/45

D431,662 S * 10/2000 Krieger D26/45

D441,474 S * 5/2001 Poon D26/45

D508,578 S * 8/2005 Shen D26/45

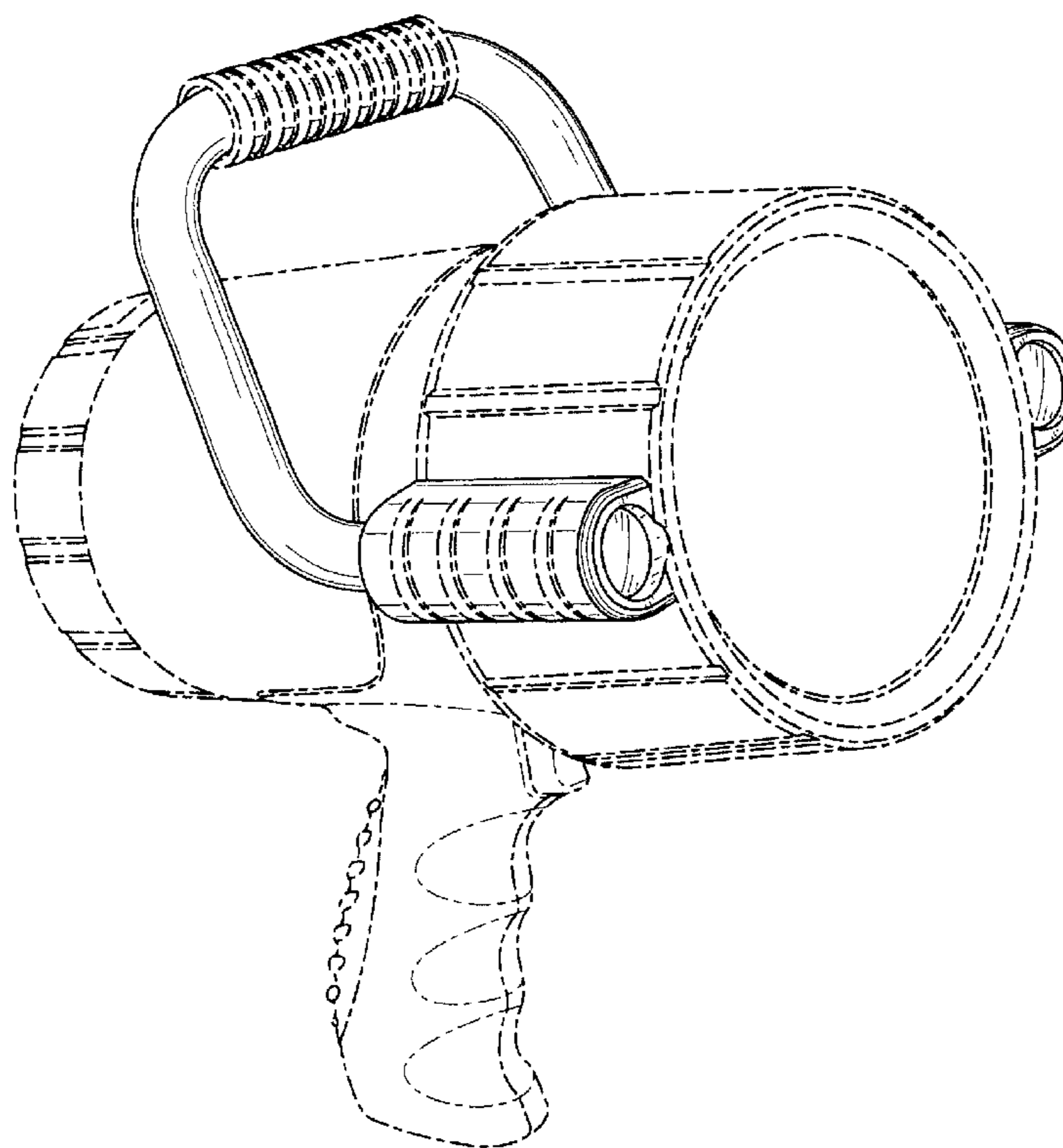
OTHER PUBLICATIONS

U.S. Appl. No. 29/227,652, filed Apr. 14, 2005.

U.S. Appl. No. 29/227,651, filed Apr. 14, 2005.

U.S. Appl. No. 29/228,573, filed Apr. 26, 2005.

1 Claim, 7 Drawing Sheets



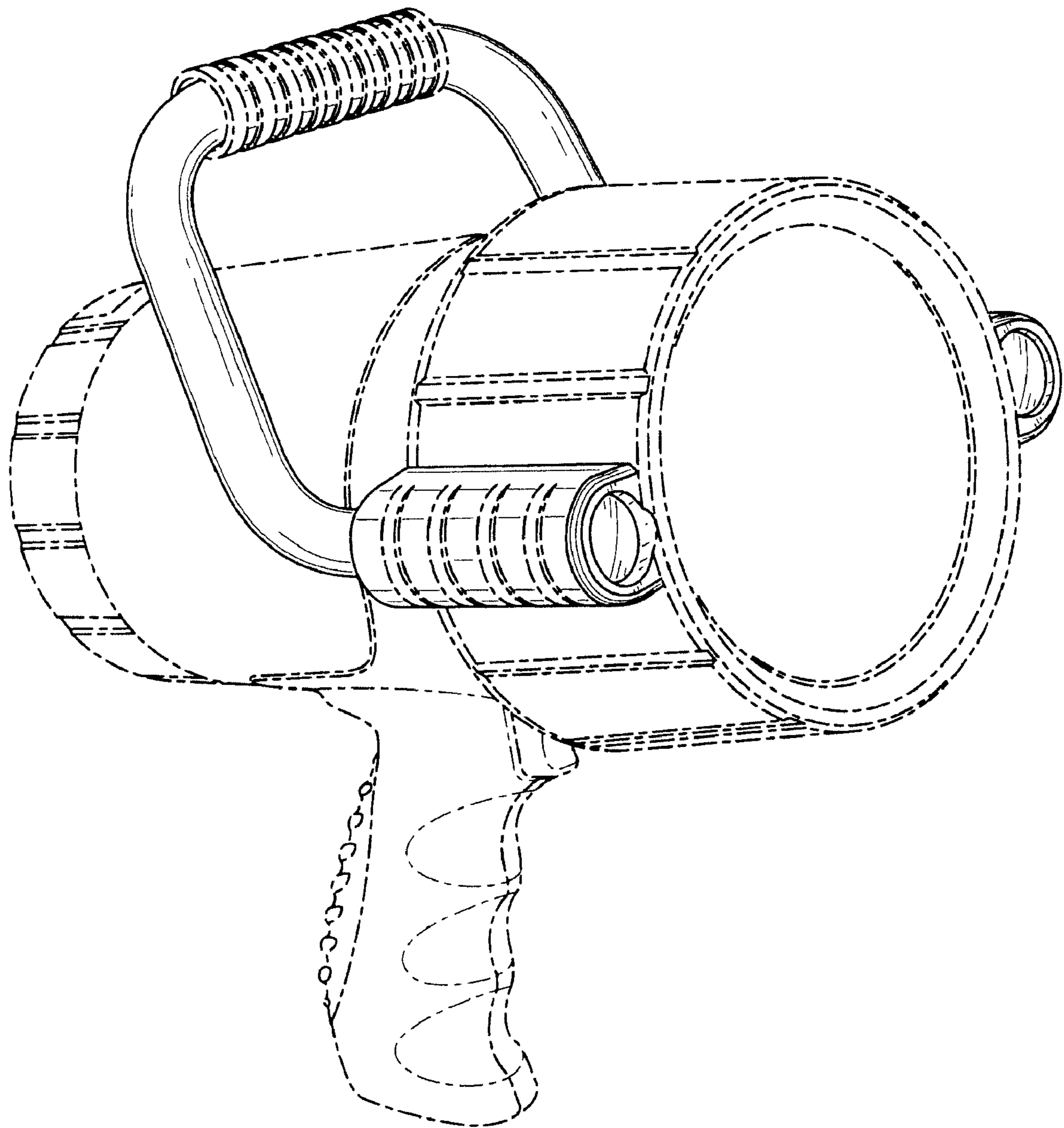


FIG. 1

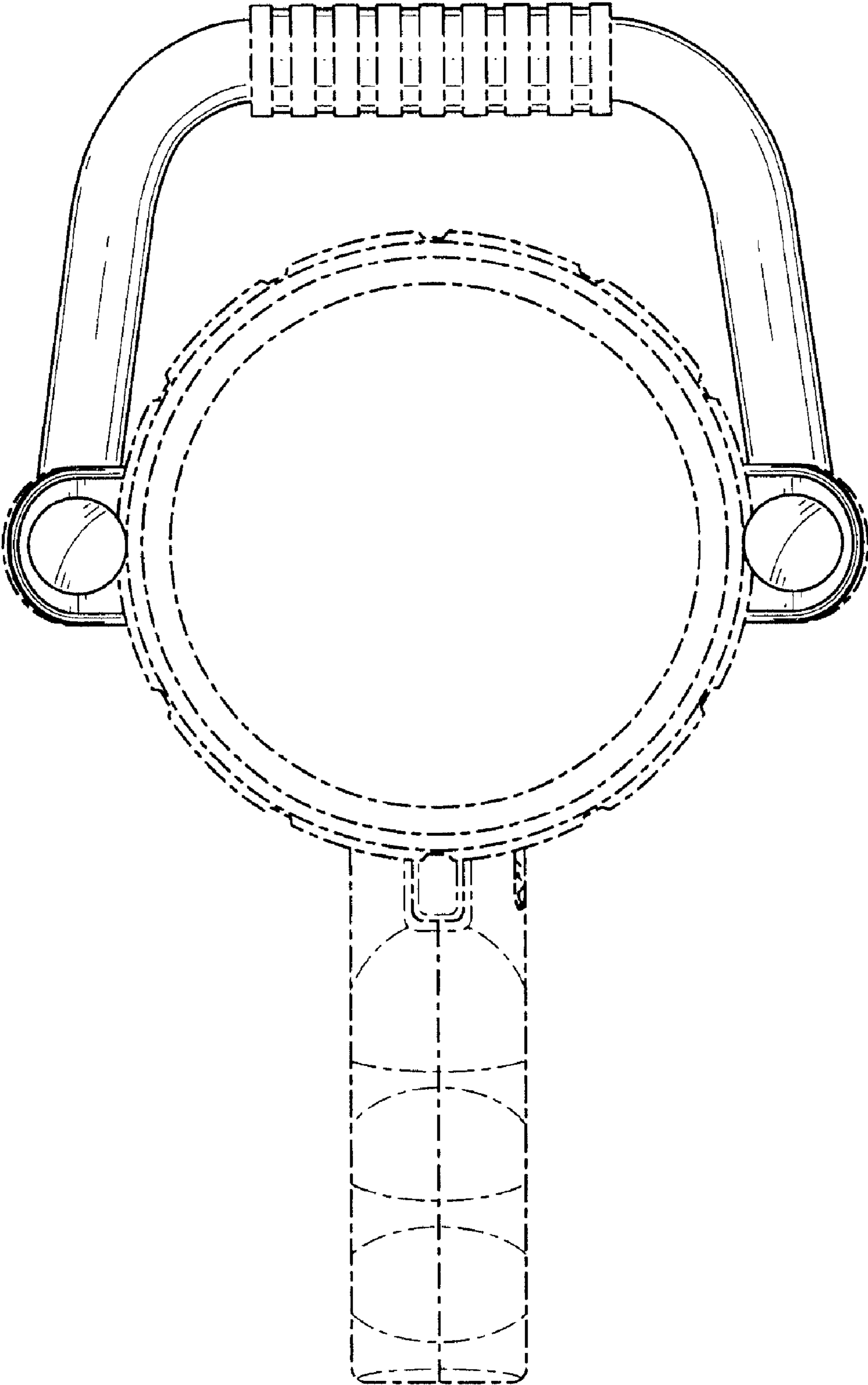


FIG. 2

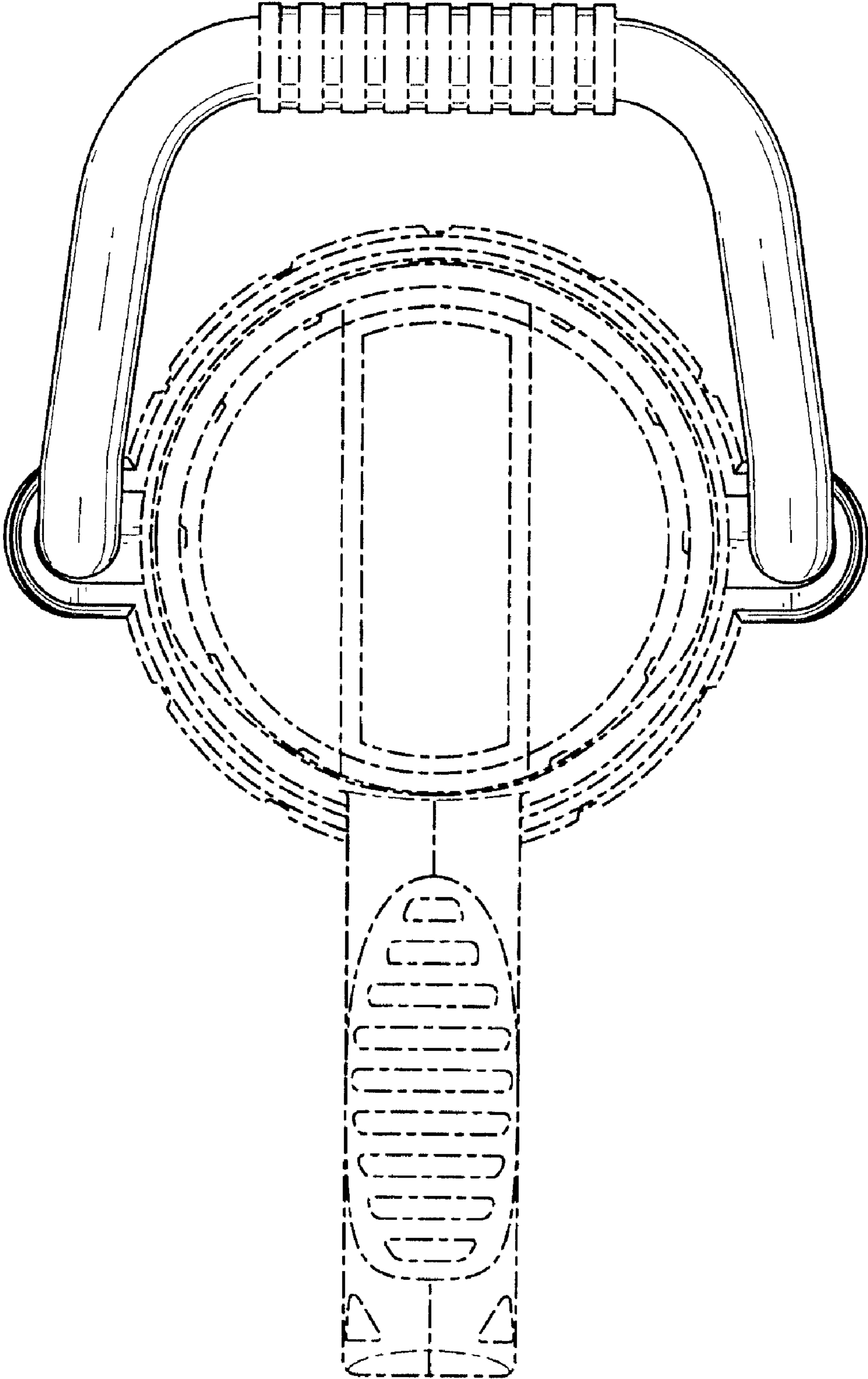


FIG. 3

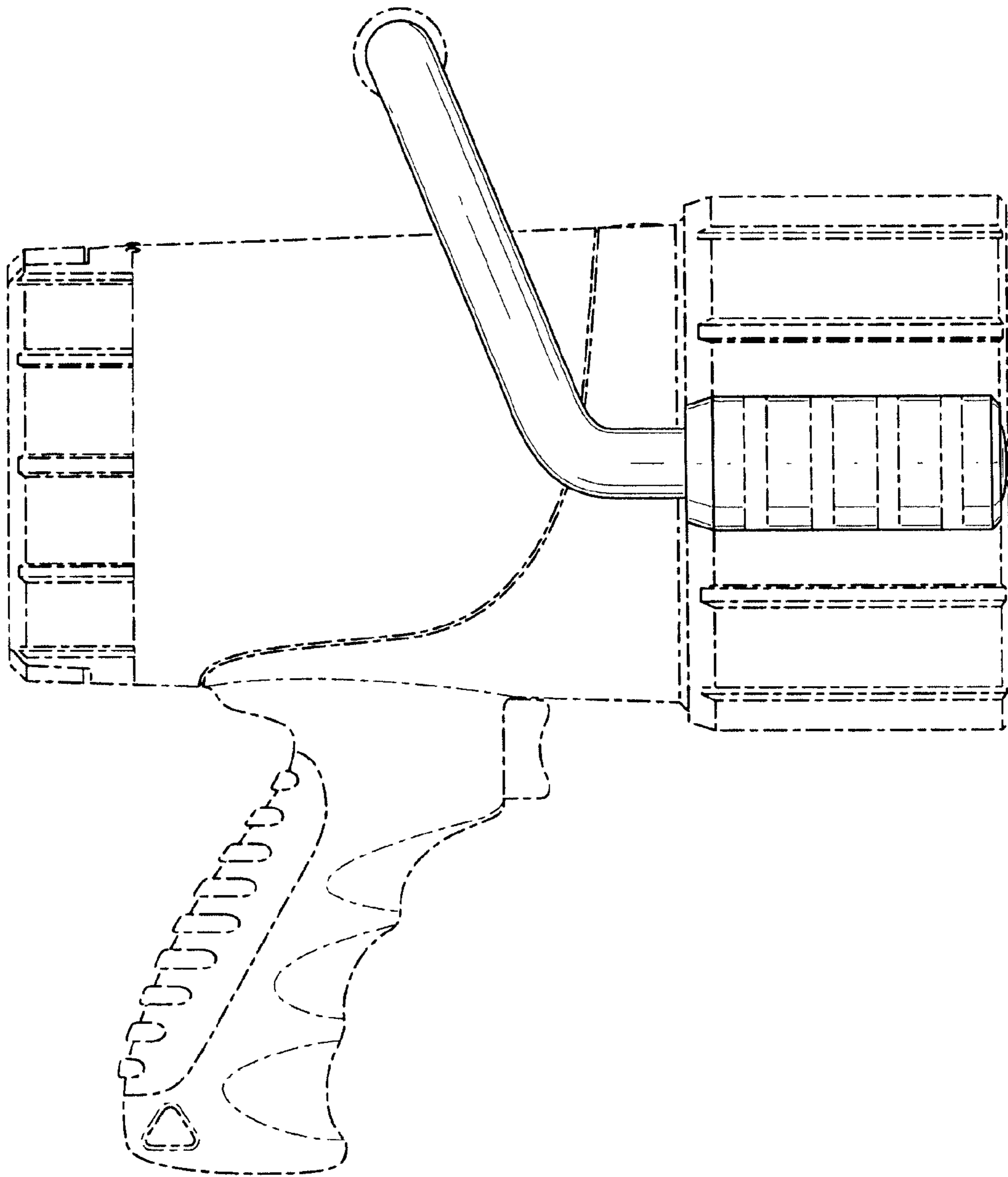


FIG. 4

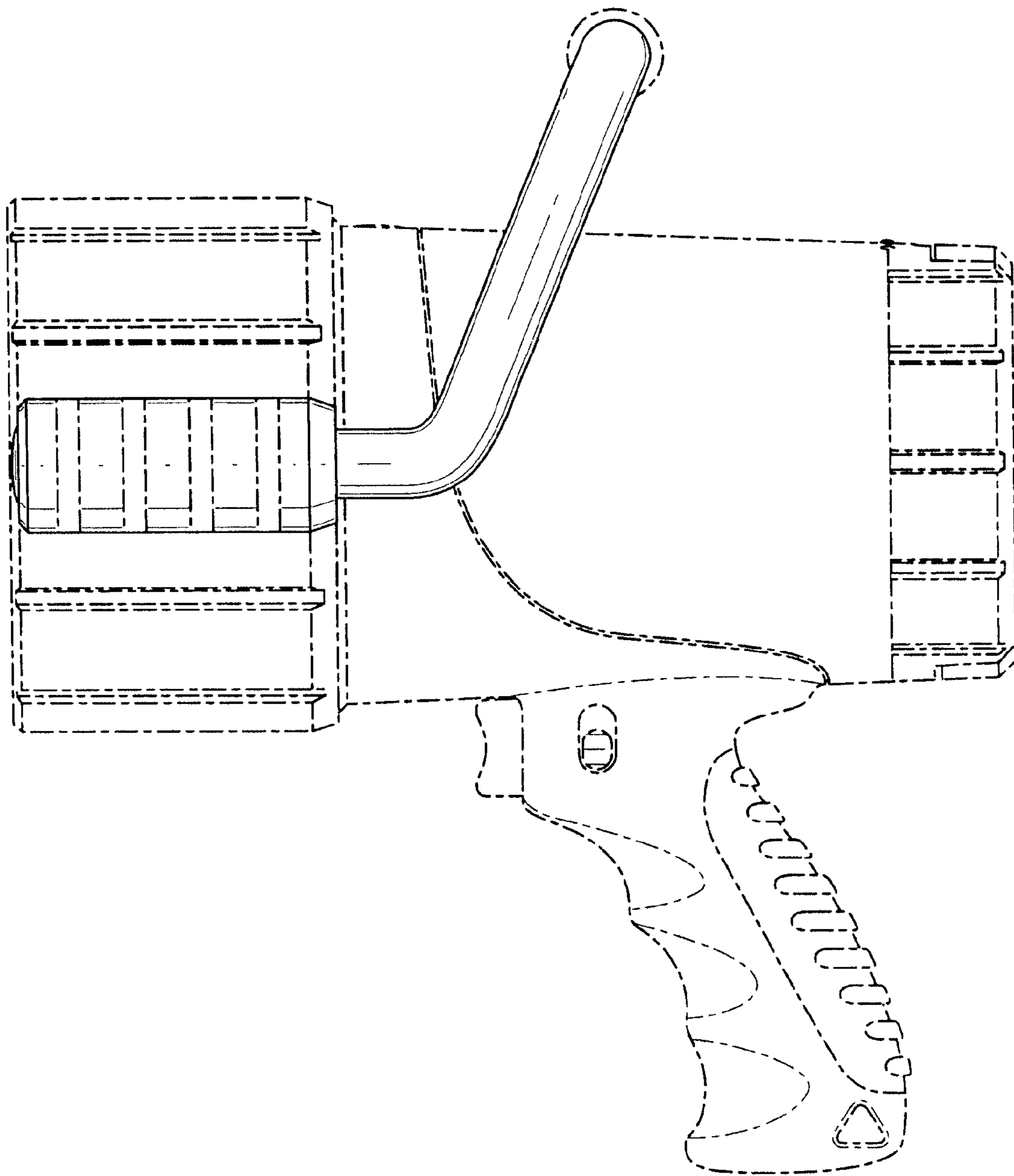


FIG. 5

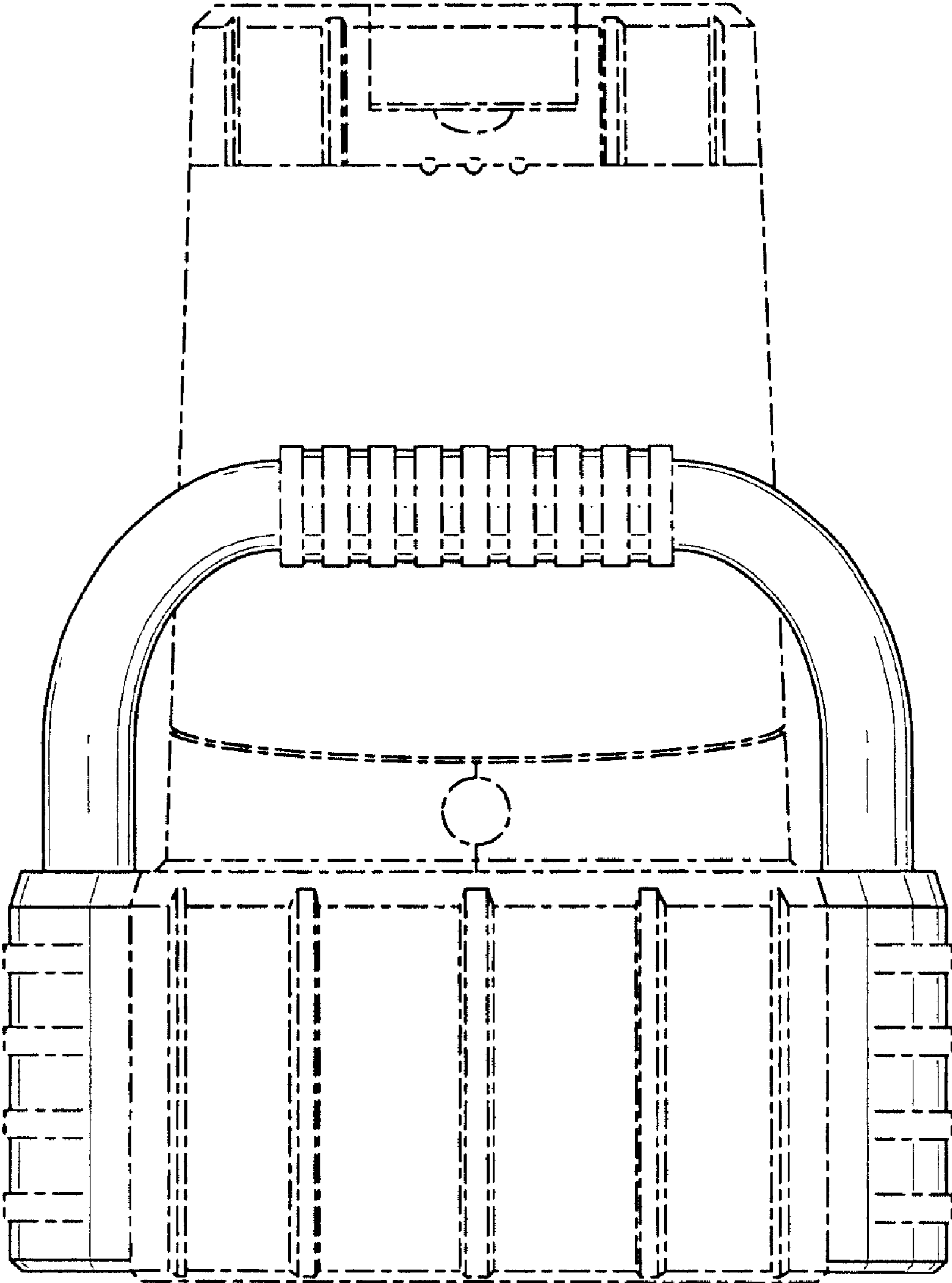


FIG. 6

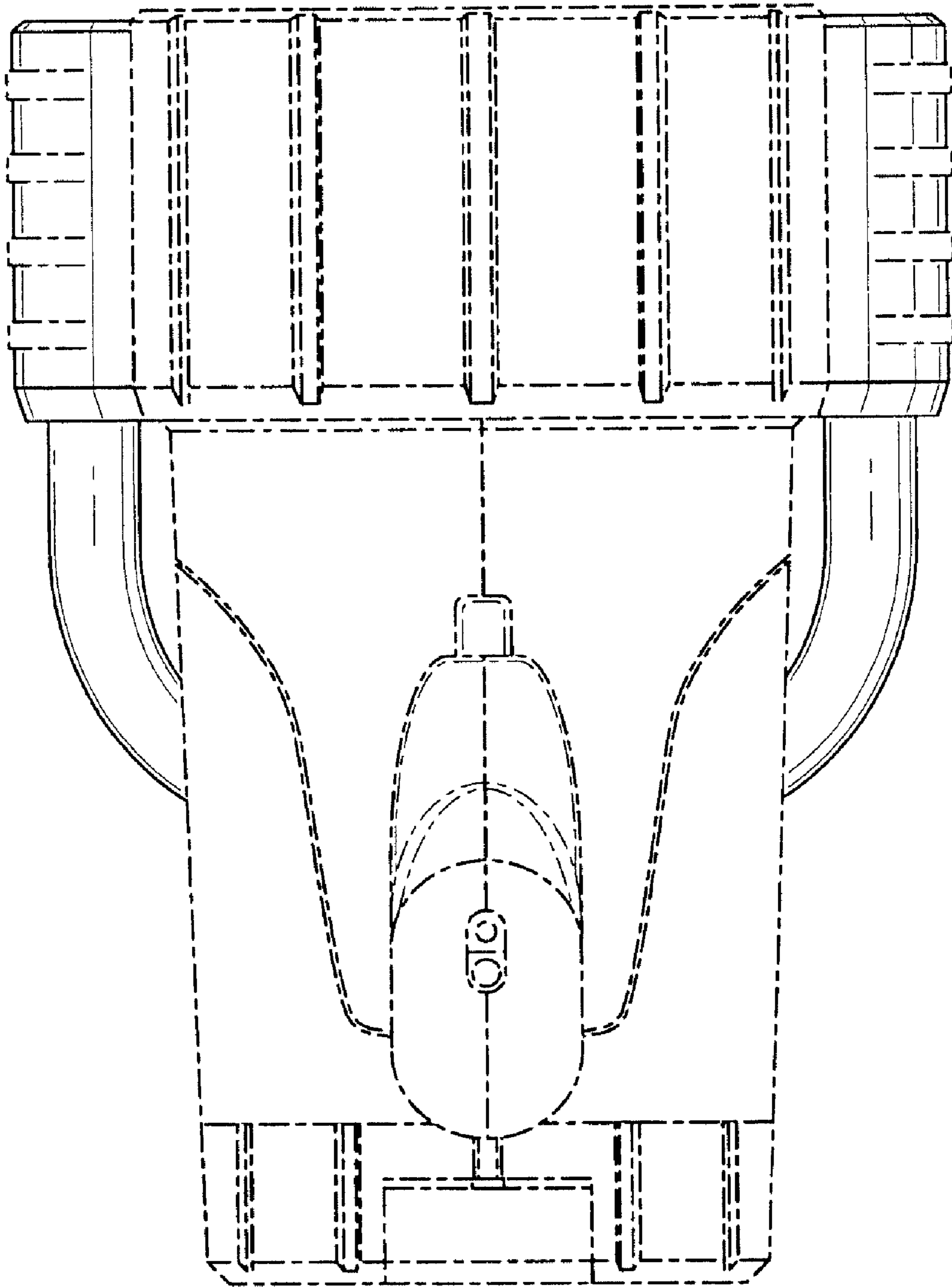


FIG. 7