



US00D519226S

(12) **United States Design Patent**
Taguchi et al.

(10) **Patent No.:** **US D519,226 S**

(45) **Date of Patent:** **** Apr. 18, 2006**

(54) **HEADLAMP FOR A VEHICLE**

D501,685 S * 2/2005 Metros et al. D26/28

(75) Inventors: **Masato Taguchi**, Atsugi (JP); **Masato Takahashi**, Atsugi (JP)

* cited by examiner

(73) Assignee: **Nissan Motor Co., Ltd.**, Yokohama (JP)

Primary Examiner—Marcus A. Jackson

(74) *Attorney, Agent, or Firm*—Foley & Lardner LLP

(**) Term: **14 Years**

(57) **CLAIM**

An ornamental design for a headlamp for a vehicle, as shown and described.

(21) Appl. No.: **29/217,683**

DESCRIPTION

(22) Filed: **Nov. 22, 2004**

(51) **LOC (8) Cl.** **26-06**

(52) **U.S. Cl.** **D26/28**

(58) **Field of Classification Search** D26/28-36;
362/459-468, 475-478, 485-487

See application file for complete search history.

FIG. 1 is a front view of a headlamp for a vehicle;

FIG. 2 is a rear view thereof;

FIG. 3 is a left side view thereof;

FIG. 4 is a right side view thereof;

FIG. 5 is a top plan view thereof;

FIG. 6 is a bottom view thereof;

FIG. 7 is a left perspective view thereof; and,

FIG. 8 is a right perspective view thereof.

(56) **References Cited**

U.S. PATENT DOCUMENTS

D498,548 S * 11/2004 Kawashima et al. D26/28

1 Claim, 8 Drawing Sheets

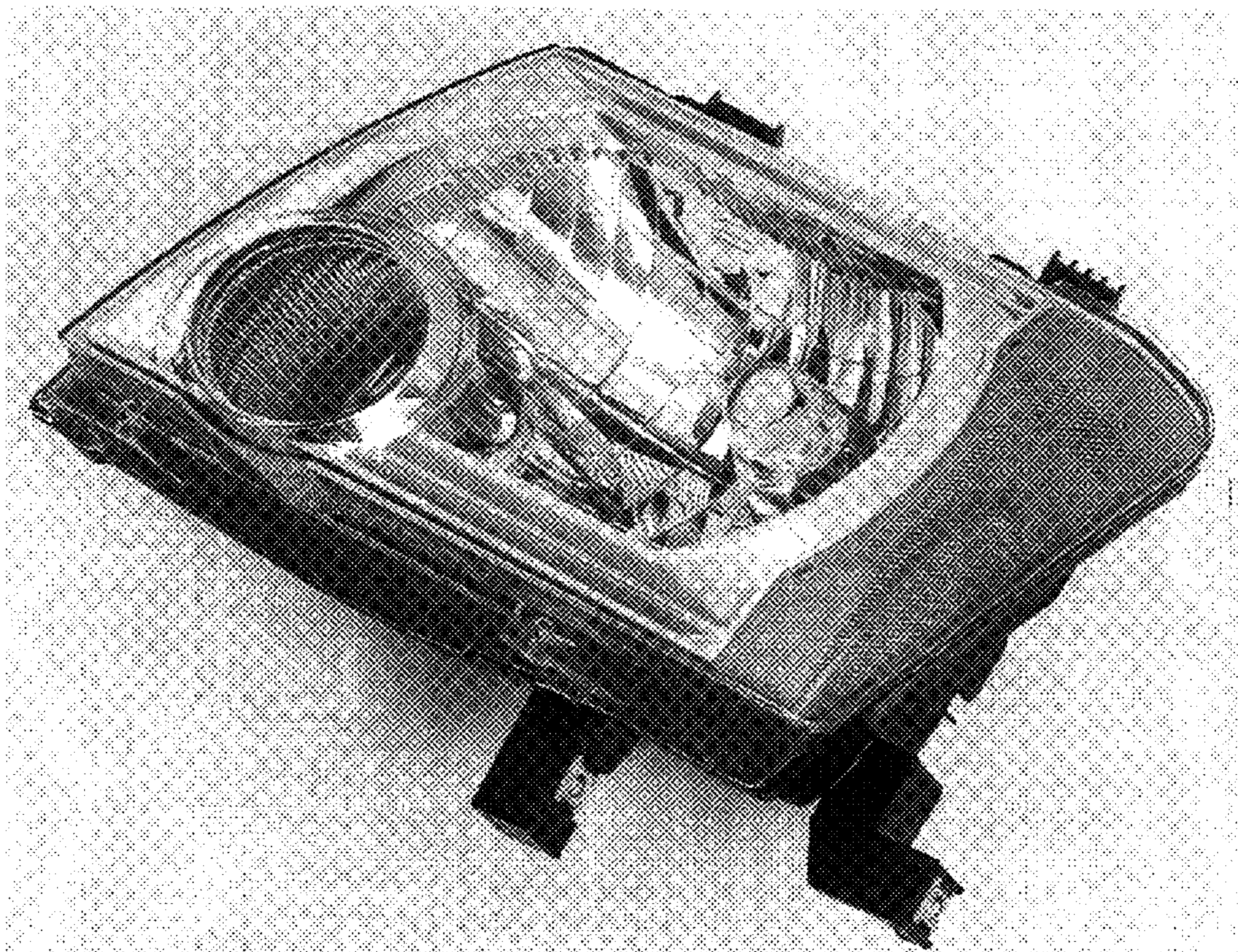


FIG. 1

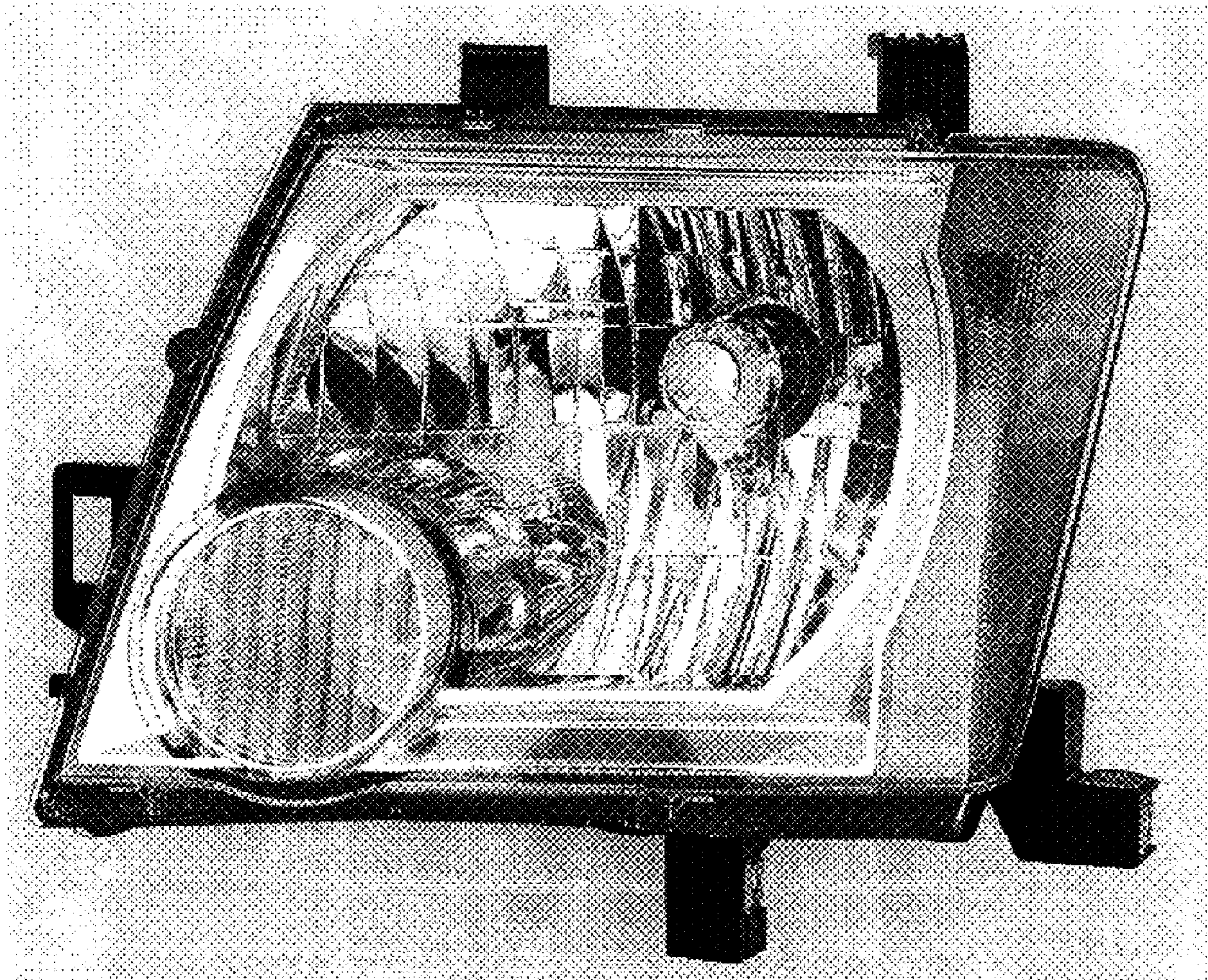


FIG.2

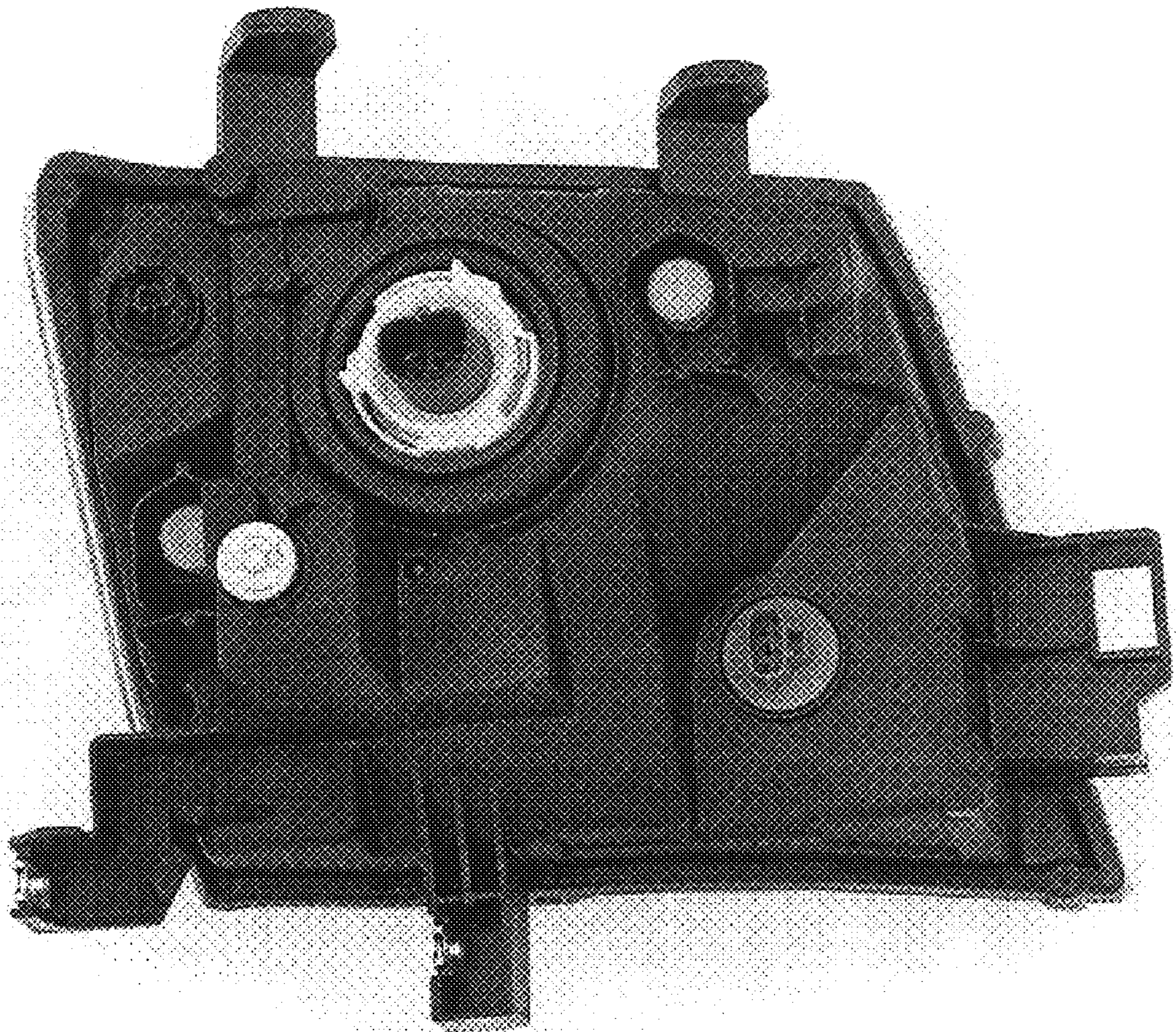


FIG.3

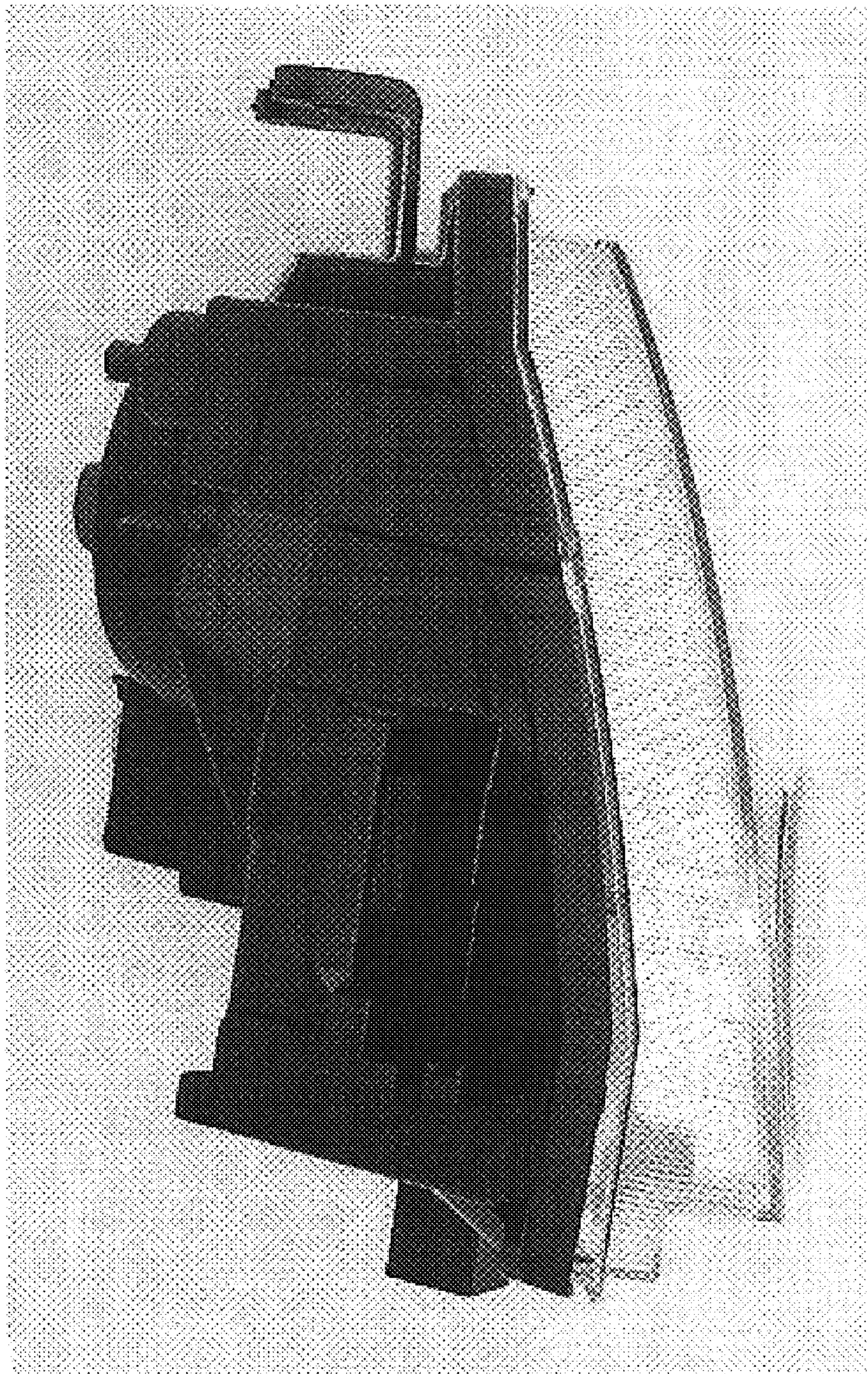


FIG.4

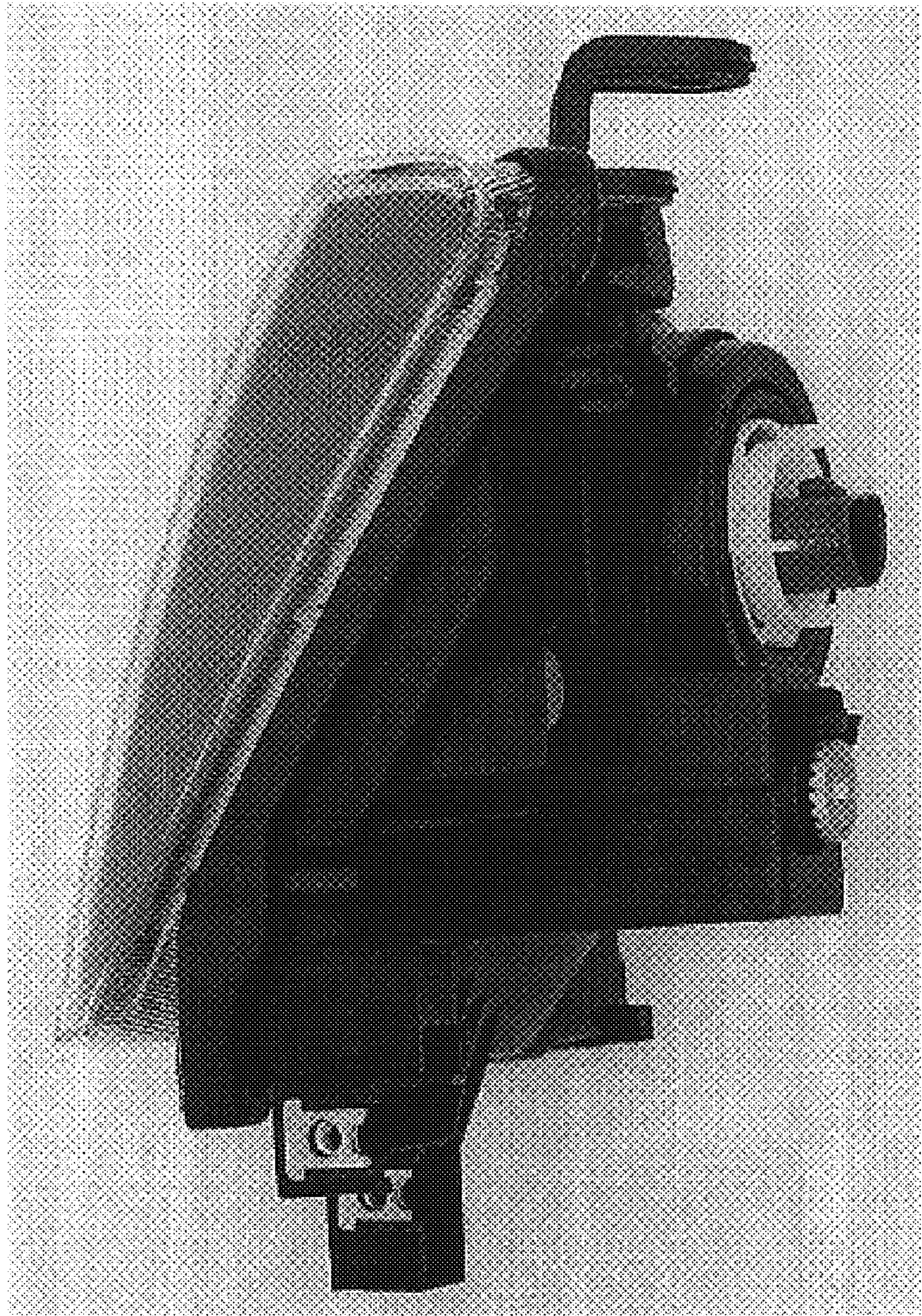


FIG.5

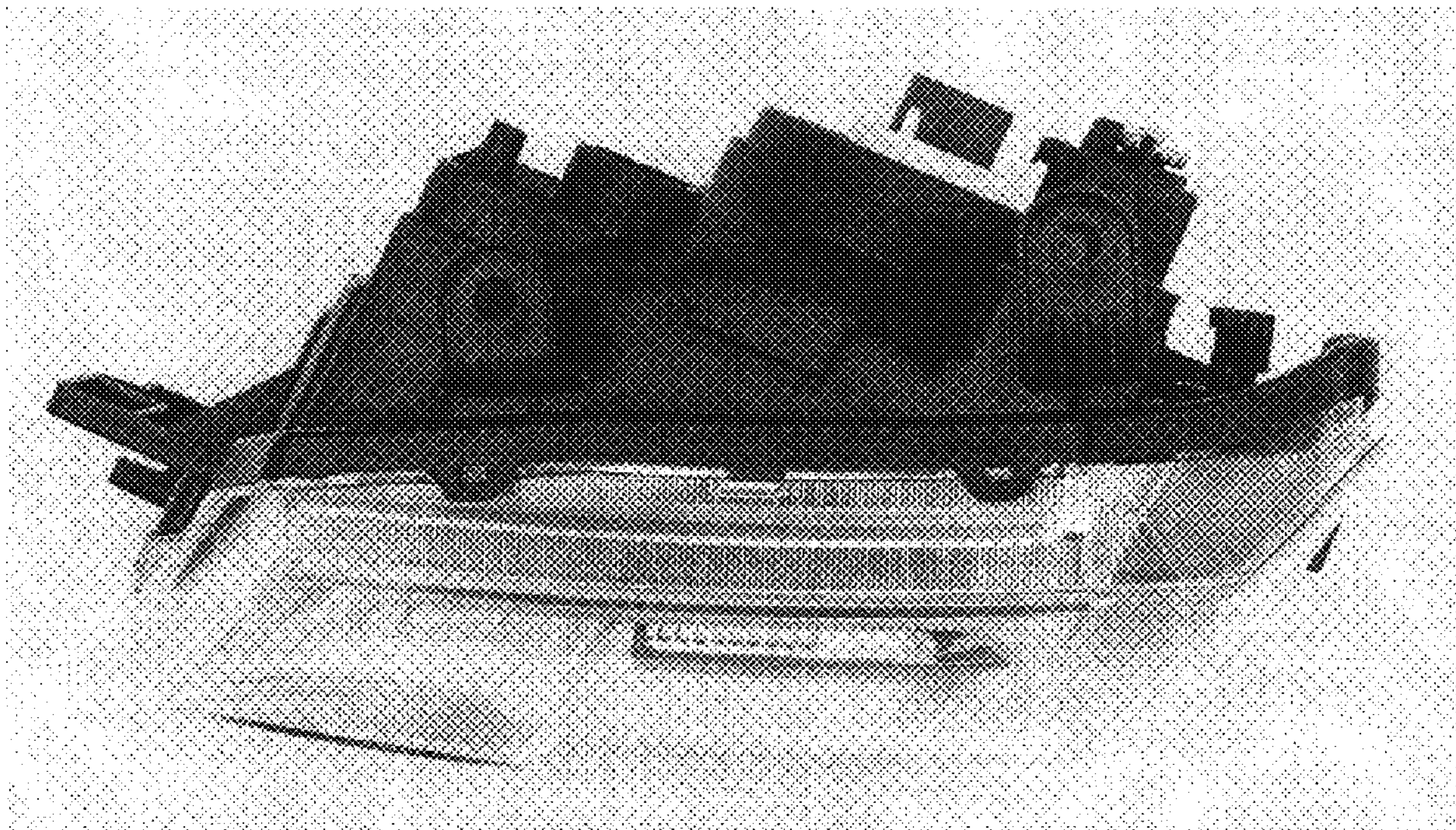


FIG.6

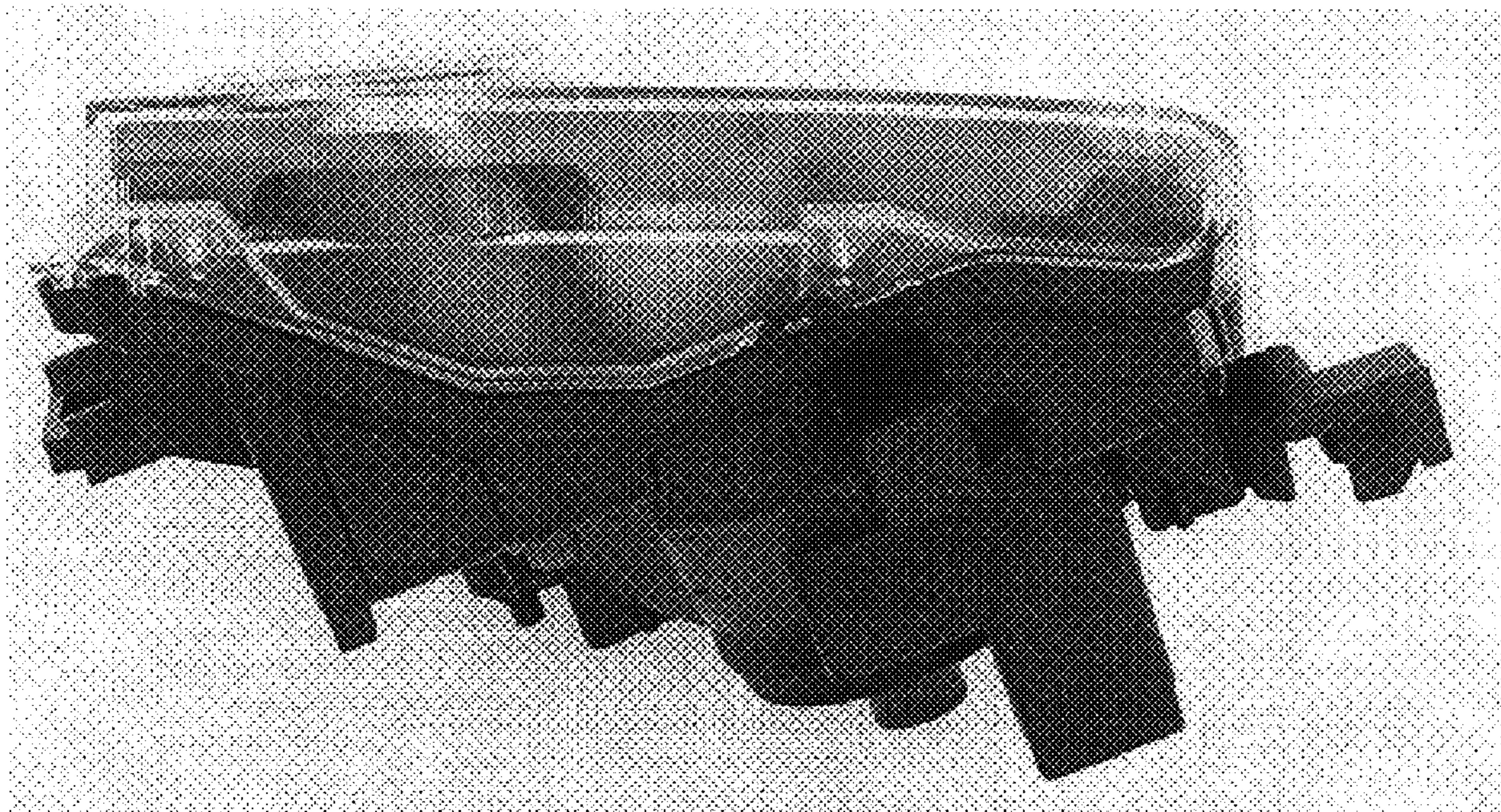


FIG. 7

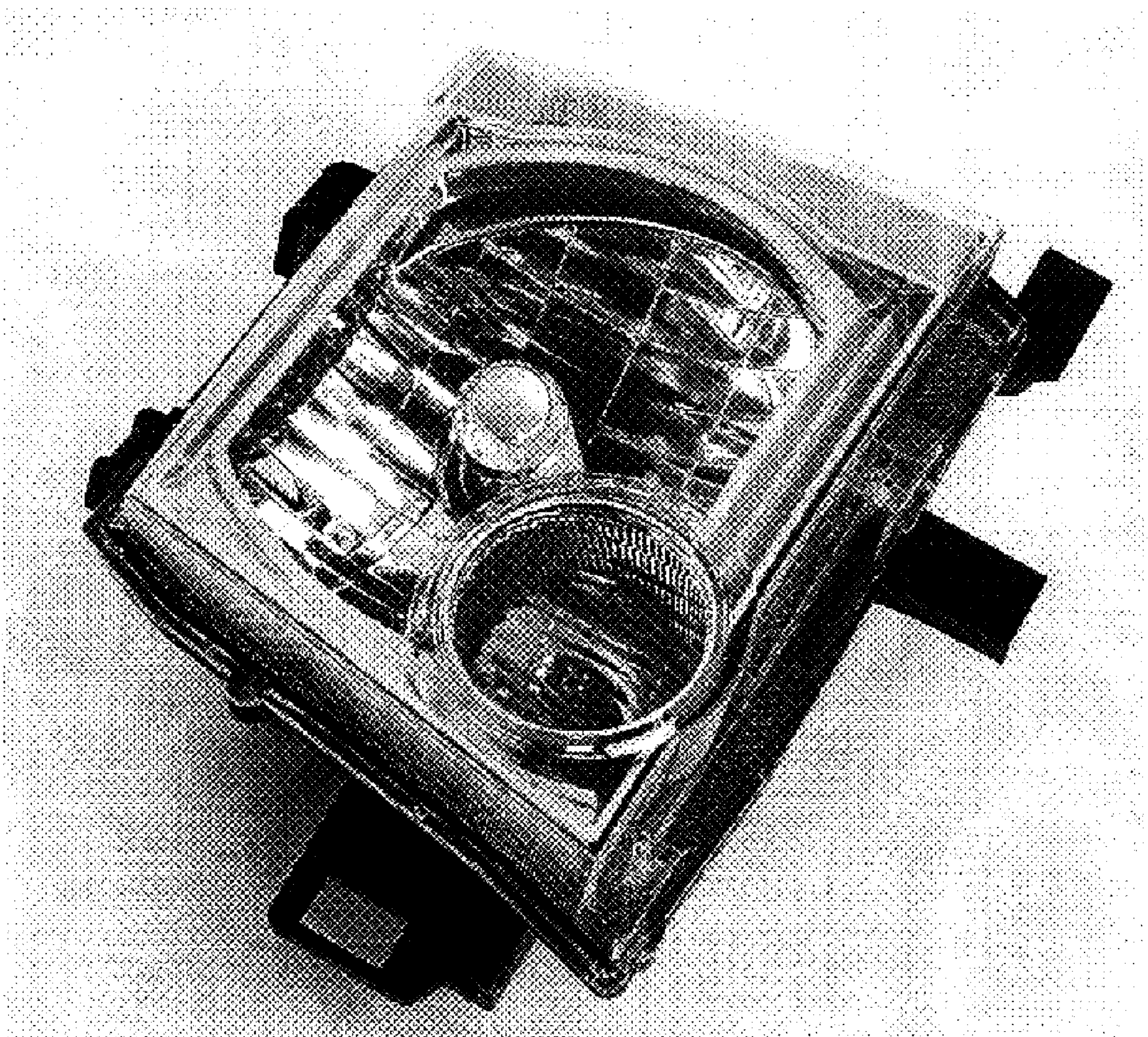


FIG.8

