



US00D519213S

(12) **United States Design Patent**  
**Loyd**

(10) **Patent No.:** **US D519,213 S**

(45) **Date of Patent:** **\*\* Apr. 18, 2006**

(54) **SPA**

(76) **Inventor:** **Casey Loyd**, 1462 E. 9th St., Pomona,  
CA (US) 91766

(\*\*) **Term:** **14 Years**

(21) **Appl. No.:** **29/218,622**

(22) **Filed:** **Dec. 3, 2004**

(51) **LOC (8) Cl.** ..... **24-04**

(52) **U.S. Cl.** ..... **D24/204**

(58) **Field of Classification Search** ..... D24/201,  
D24/204, 205; D23/277; 601/154-158; 4/541.1-541.6,  
4/547, 578.1, 579

See application file for complete search history.

(56) **References Cited**

**U.S. PATENT DOCUMENTS**

D267,043 S	*	11/1982	Kingsley et al.	.....	D24/204
D301,374 S	*	5/1989	D’Innocente	.....	D24/204
D305,061 S	*	12/1989	Pauls et al.	.....	D24/205
D405,181 S	*	2/1999	Larsen	.....	D24/204
D405,185 S	*	2/1999	Larsen	.....	D24/204
D405,186 S	*	2/1999	Larsen	.....	D24/204
D429,528 S	*	8/2000	Magray et al.	.....	D24/204
D446,310 S	*	8/2001	Bower	.....	D24/204

D446,862 S	*	8/2001	Larsen et al.	.....	D24/204
D463,028 S	*	9/2002	Bower	.....	D24/204
D463,569 S	*	9/2002	Bower	.....	D24/204

**OTHER PUBLICATIONS**

Catalogue pages for Cyprus Spa (date 2001).

\* cited by examiner

*Primary Examiner*—Ian Simmons

*Assistant Examiner*—Melanie Levy

(74) *Attorney, Agent, or Firm*—Denton L. Anderson;  
Sheldon & Mak

(57) **CLAIM**

The ornamental design for a spa, as shown and described.

**DESCRIPTION**

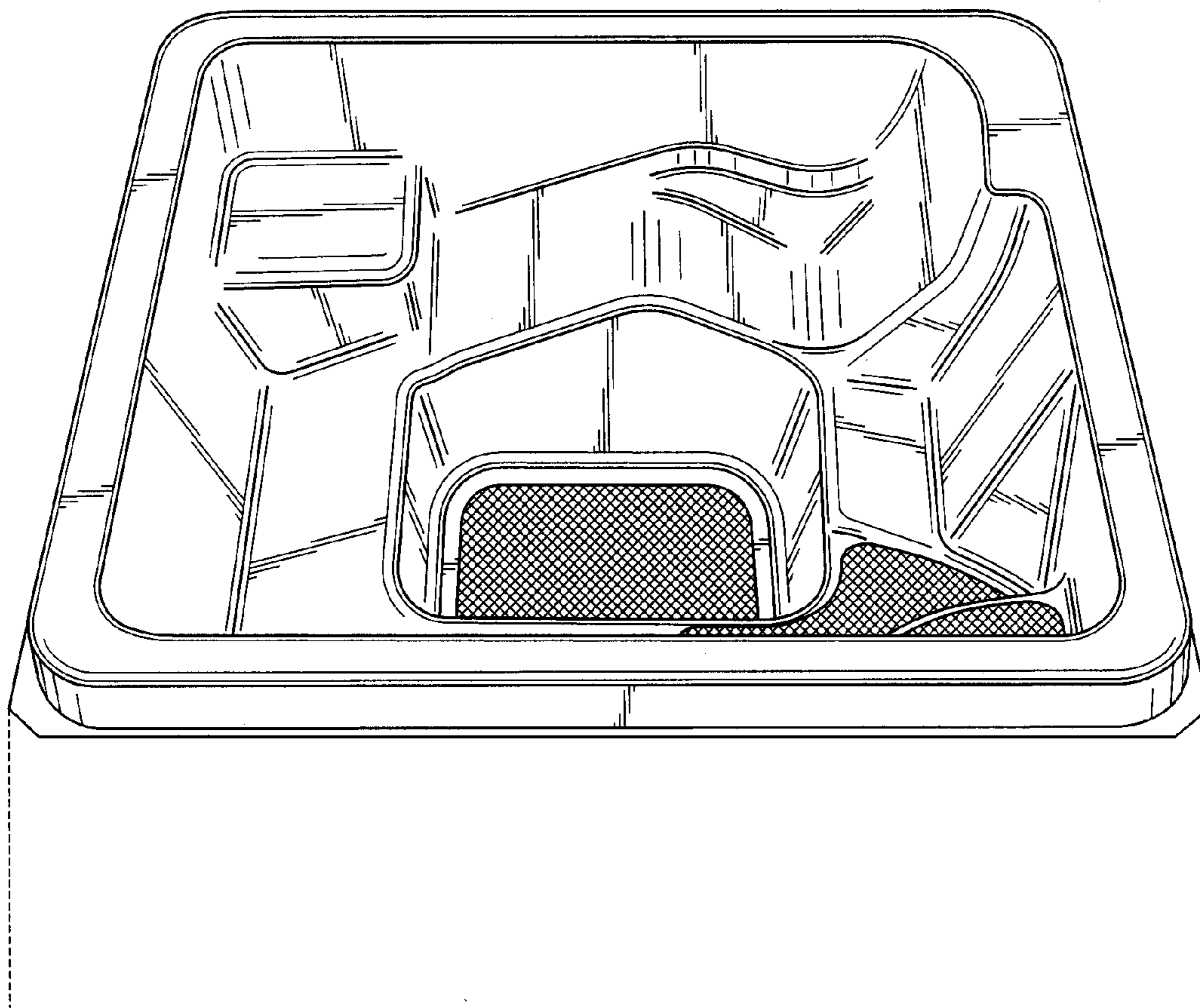
FIG. 1 is a front perspective view of a spa showing our new design. The broken line showing is for illustrative purposes only and forms no part of the claimed design;

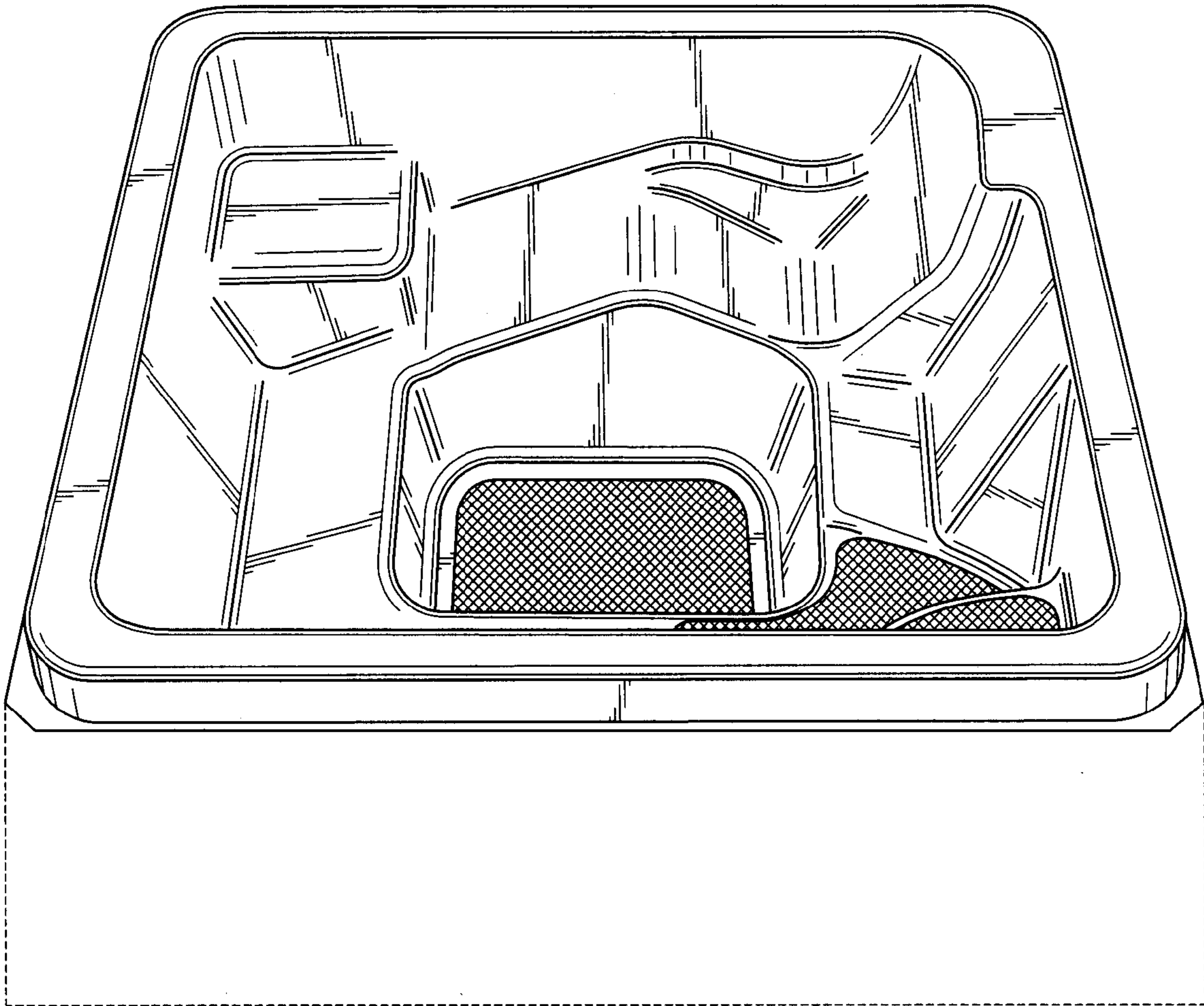
FIG. 2 is a top and left side perspective view thereof;

FIG. 3 is a top plan view thereof; and,

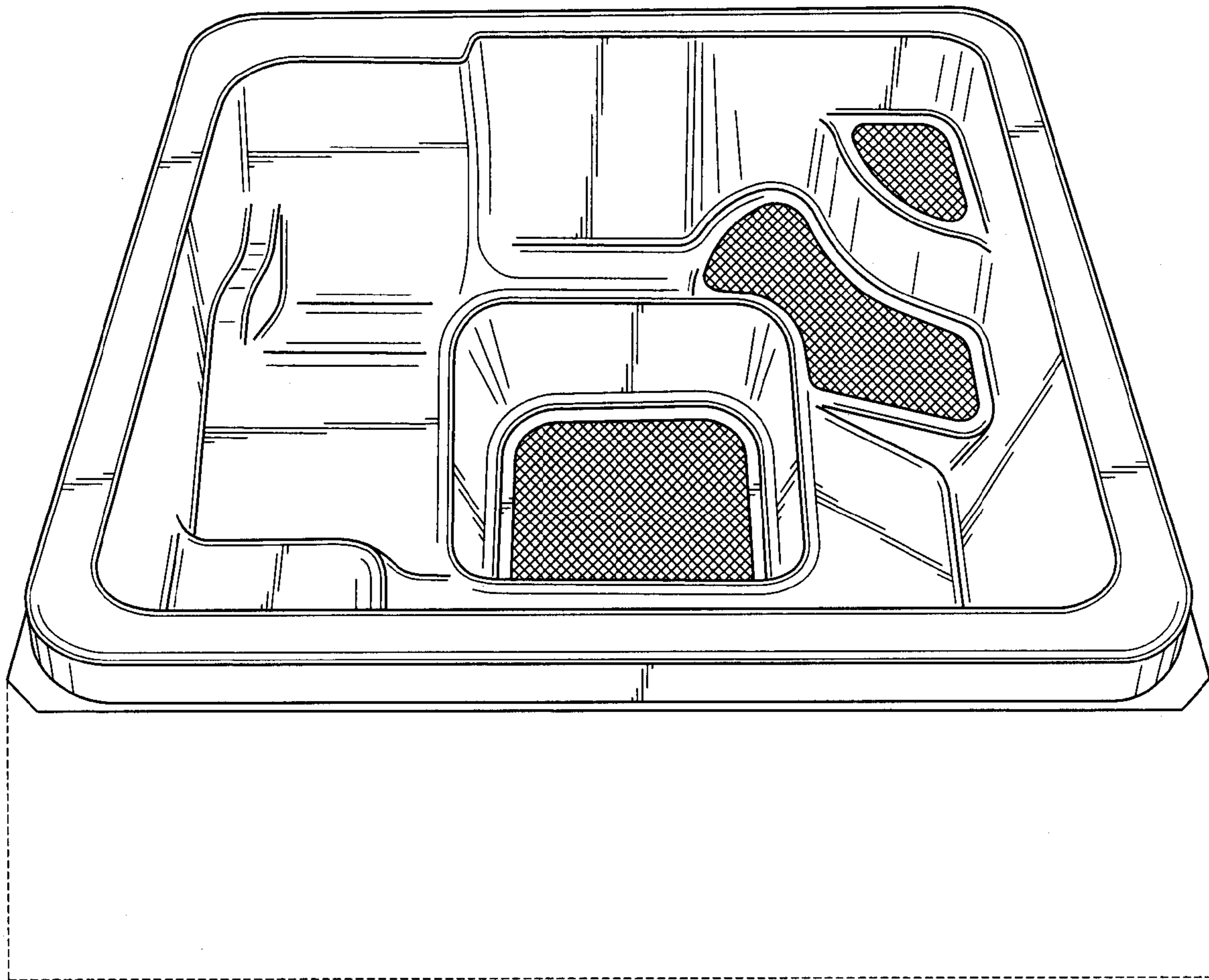
FIG. 4 is a front, rear, right and left side elevational view thereof.

**1 Claim, 4 Drawing Sheets**



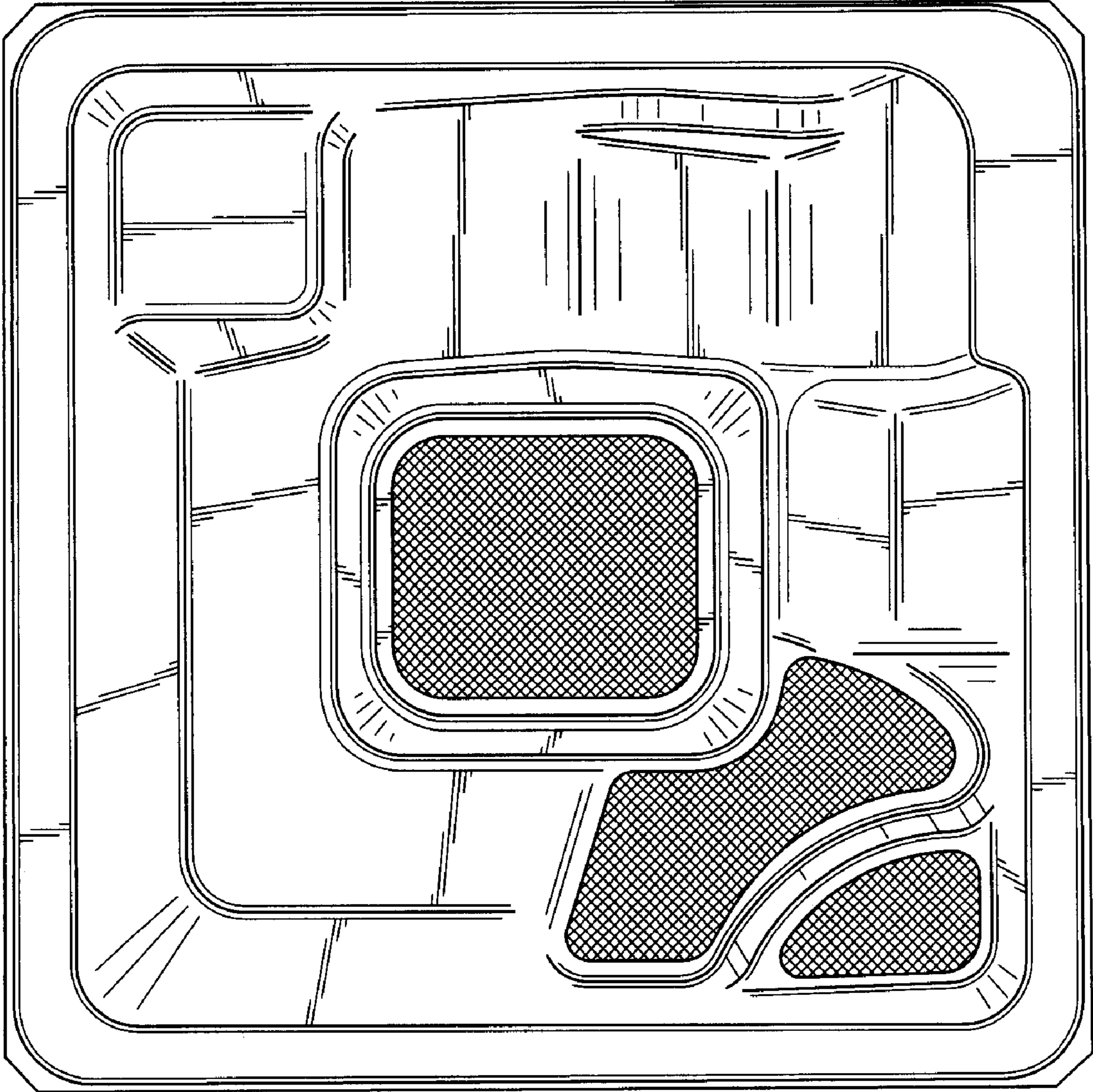


*FIG. 1*

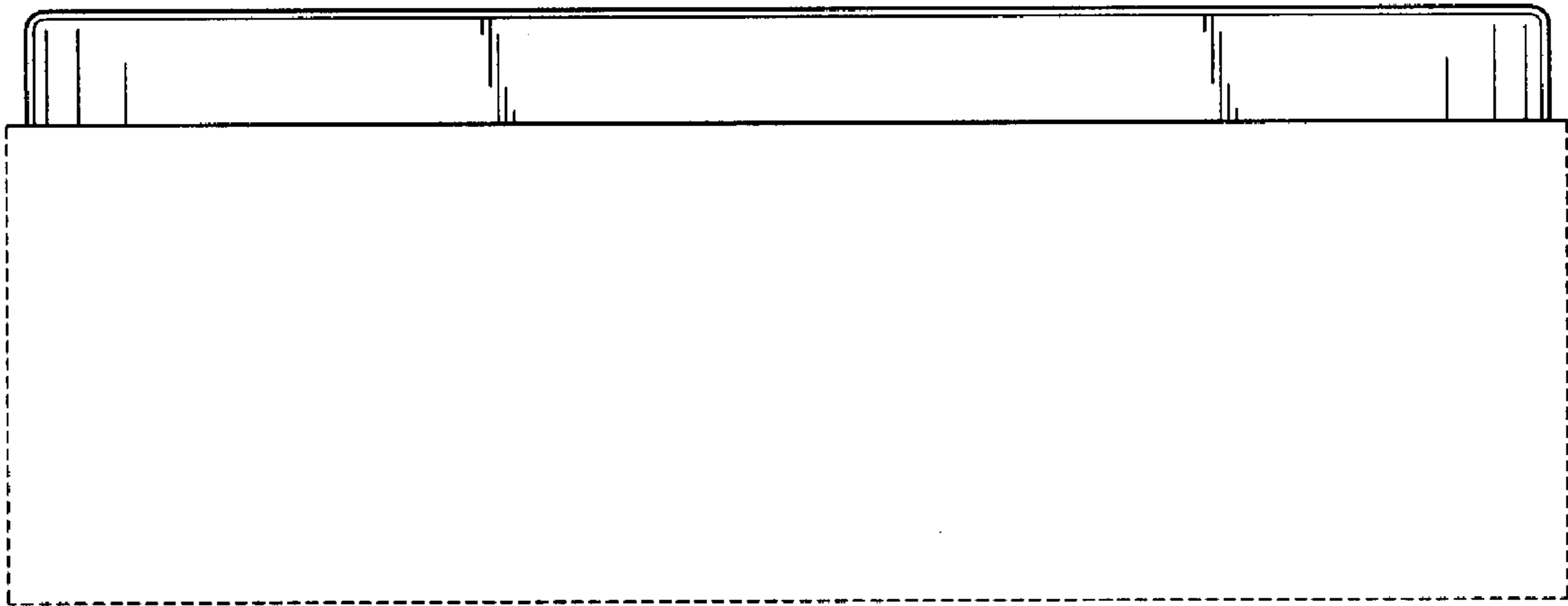


*FIG. 2*





*FIG. 3*



*FIG. 4*