



US00D519212S

(12) **United States Design Patent**
Kancilja et al.

(10) **Patent No.:** **US D519,212 S**
(45) **Date of Patent:** **** Apr. 18, 2006**

(54) **ELONGATED THERAPEUTIC TREATMENT DEVICE**

6,041,457 A * 3/2000 Summers 601/134
6,071,257 A * 6/2000 Stojanovic 128/845
D435,109 S * 12/2000 Stojanovic D24/200

(75) Inventors: **Toni Kancilja**, Kranj (SI); **Stef Harley**, Dobrova (SI); **Sandi Češko**, Zagorje (SI)

* cited by examiner

Primary Examiner—Ian Simmons

(73) Assignee: **Studio Moderna SA**, Lugano (CH)

(74) *Attorney, Agent, or Firm*—Luce, Forward, Hamilton & Scripps LLP

(**) Term: **14 Years**

(57) **CLAIM**

(21) Appl. No.: **29/177,350**

The ornamental design of an elongated therapeutic treatment device, as shown and described.

(22) Filed: **Mar. 7, 2003**

DESCRIPTION

(51) **LOC (8) Cl.** **24-04**

(52) **U.S. Cl.** **D24/200**

(58) **Field of Classification Search** D24/211, D24/200, 212, 213, 215, 214; 601/134, 135, 601/136, 137, 128, 201, 108, 204, 109; 600/1, 600/9, 12, 13, 14, 16, 18, 15; 128/845
See application file for complete search history.

FIG. 1 is a perspective view of an elongated therapeutic treatment device showing our new design, the elongated therapeutic device is shown broken in the center for ease of illustration;

FIG. 2 is a front face view thereof;

FIG. 3 is a rear face view thereof;

FIG. 4 is a side elevational view thereof;

FIG. 5 is a side elevational view opposite that shown in FIG. 4.

FIG. 6 is a top view thereof; and,

FIG. 7 is a bottom view thereof.

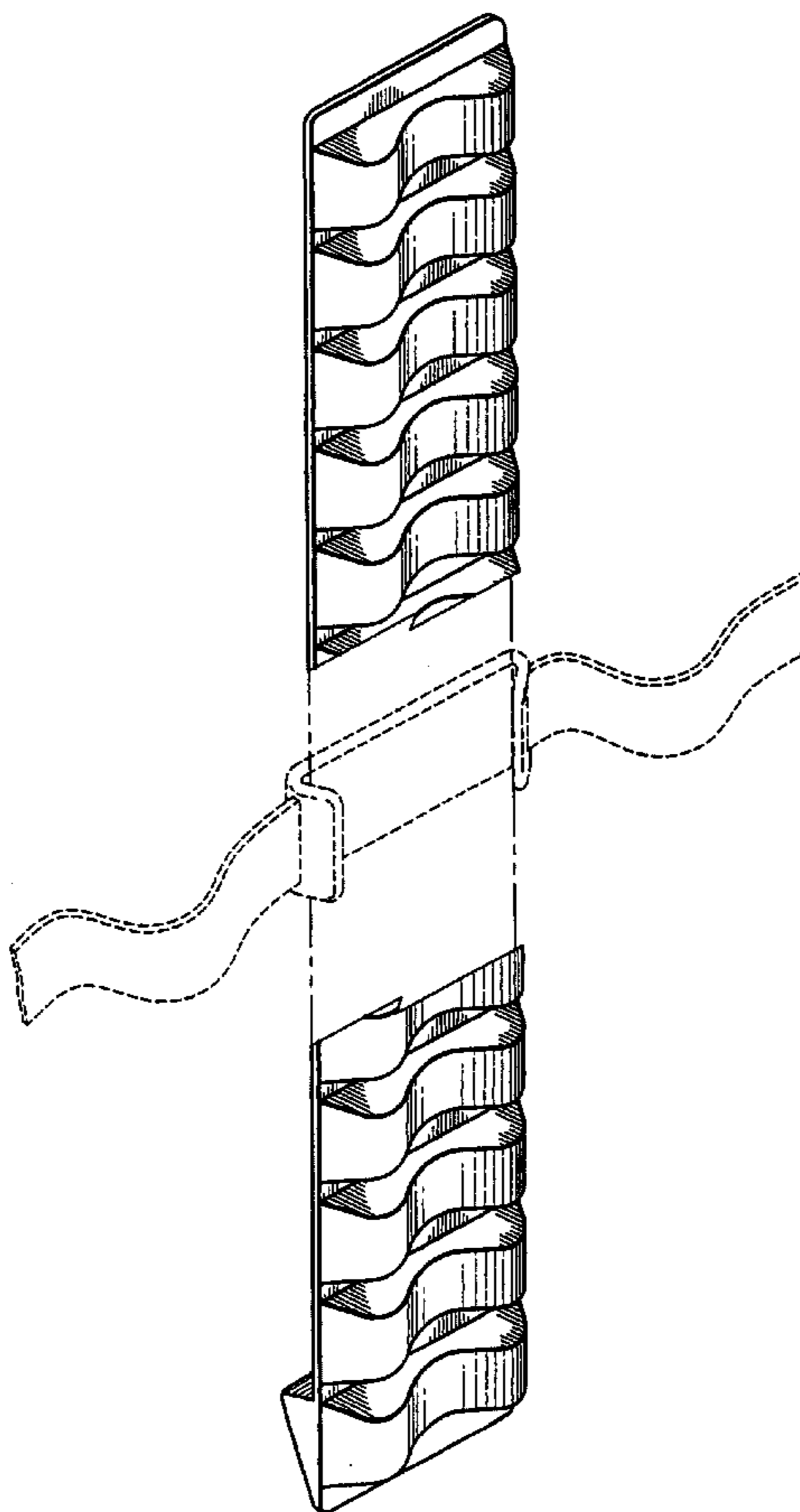
The broken line disclosure is for illustrative purposes only and forms no part of the claimed design.

(56) **References Cited**

U.S. PATENT DOCUMENTS

3,605,731 A * 9/1971 Tigges 128/845
4,383,342 A * 5/1983 Forster D24/211
4,421,110 A 12/1983 DeListe et al.
5,735,804 A * 4/1998 Chan 601/136

1 Claim, 3 Drawing Sheets



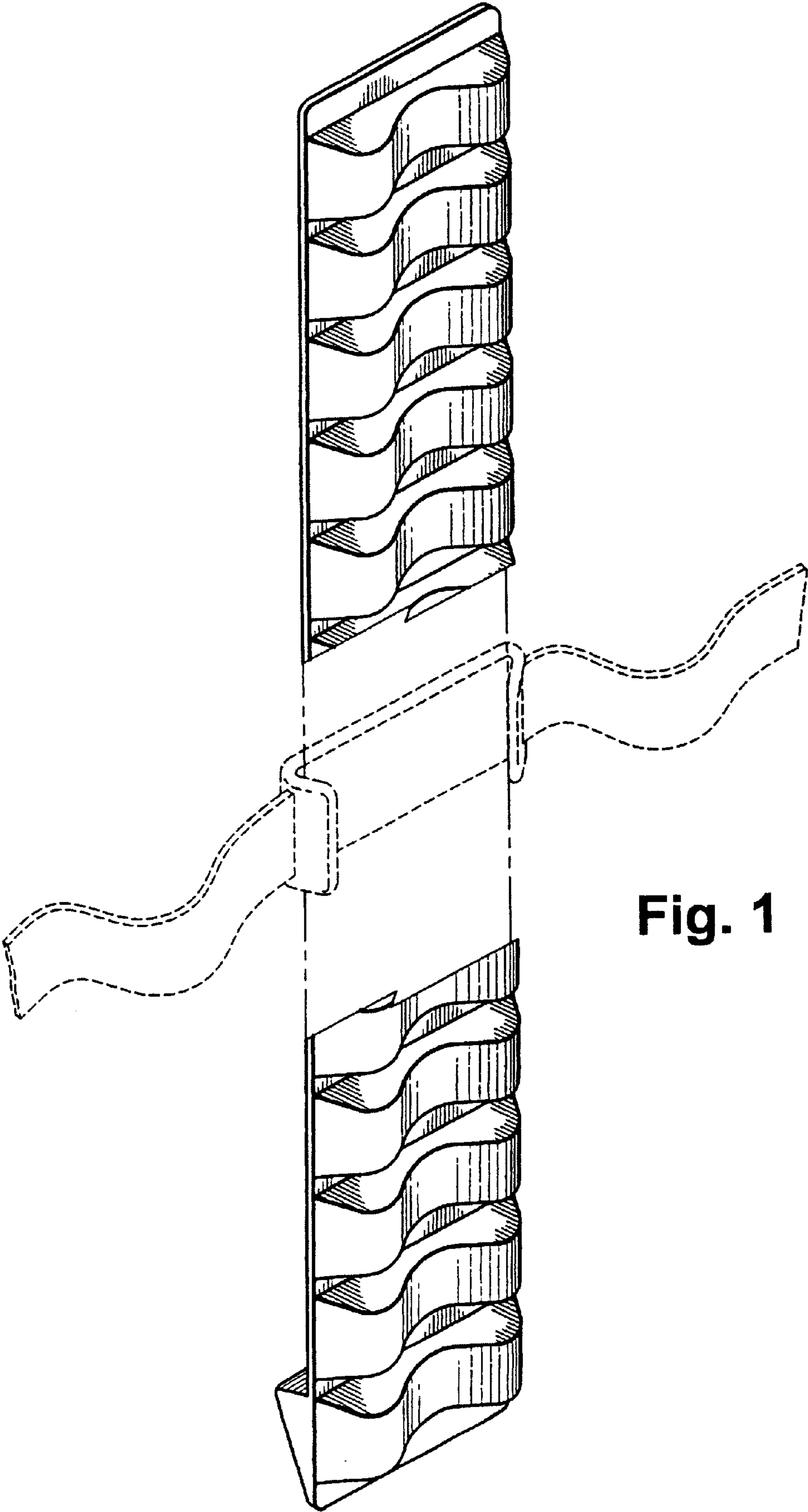


Fig. 1

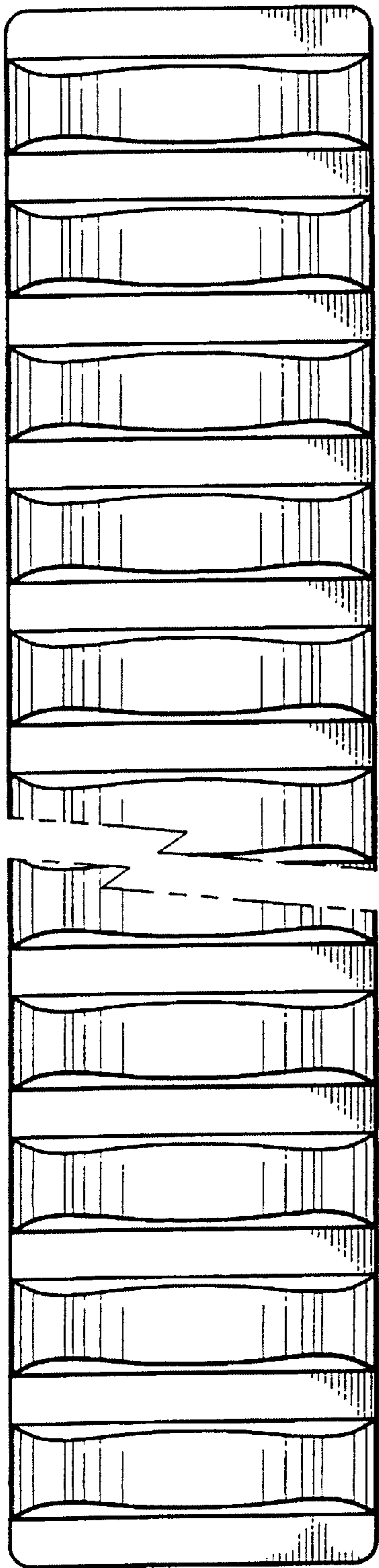


Fig. 2

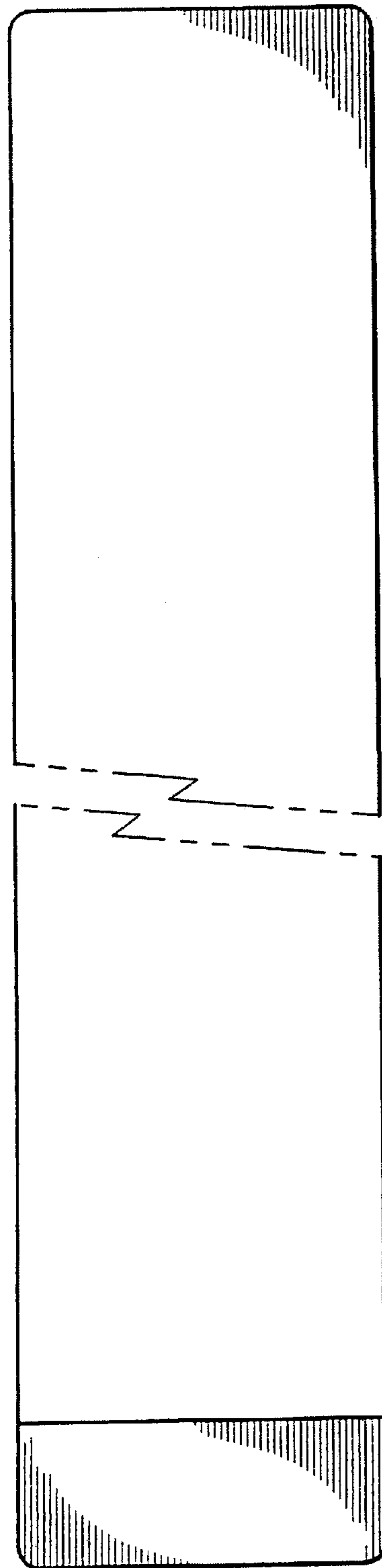


Fig. 3

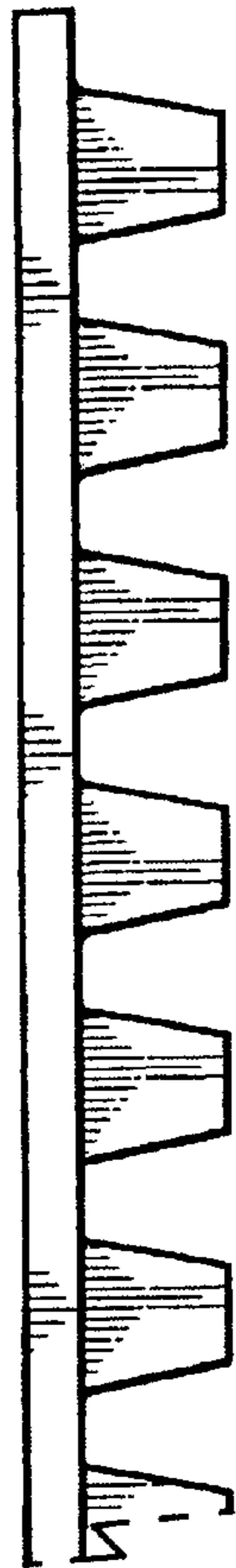


Fig. 5



Fig. 6

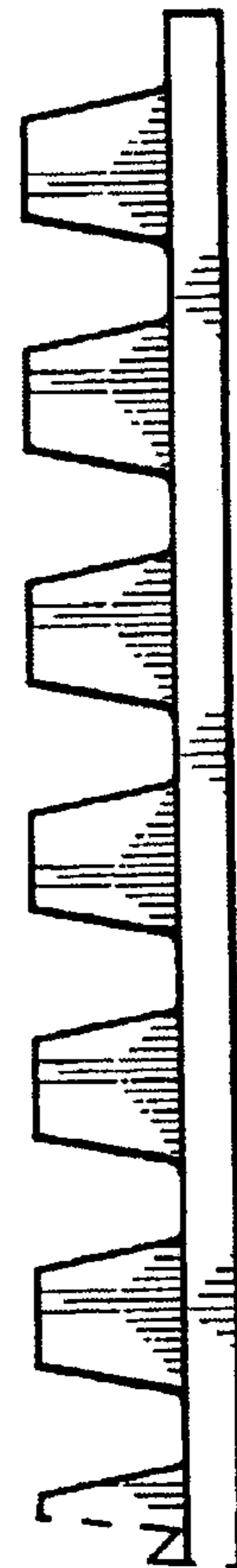


Fig. 4

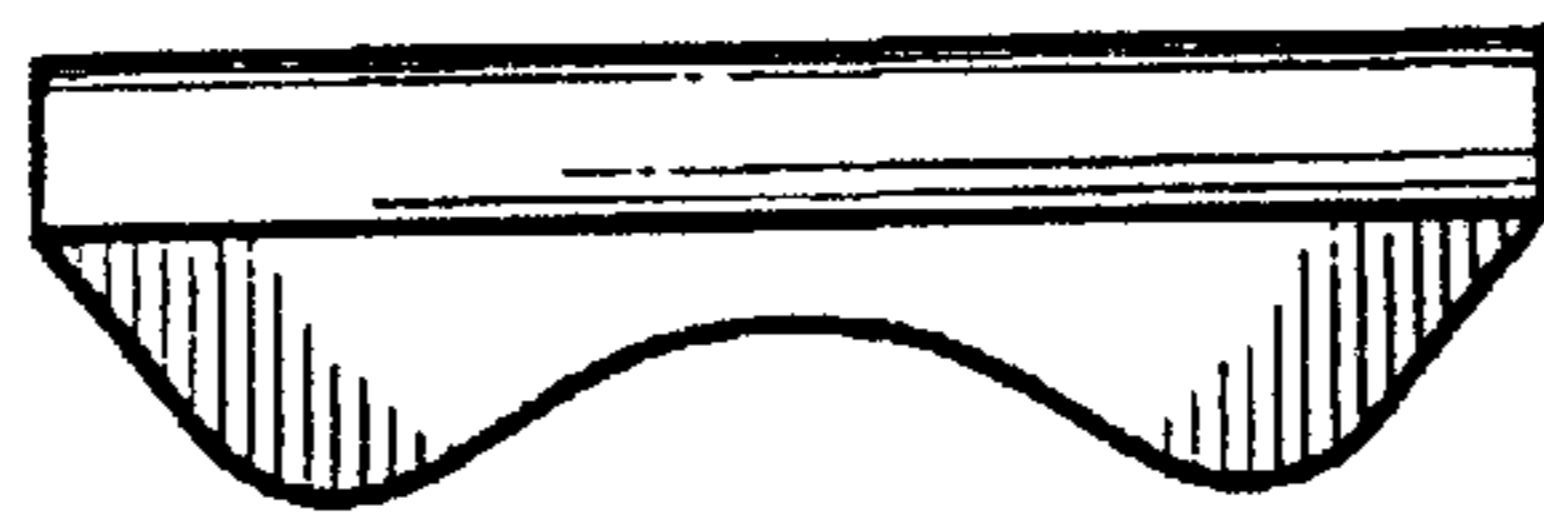
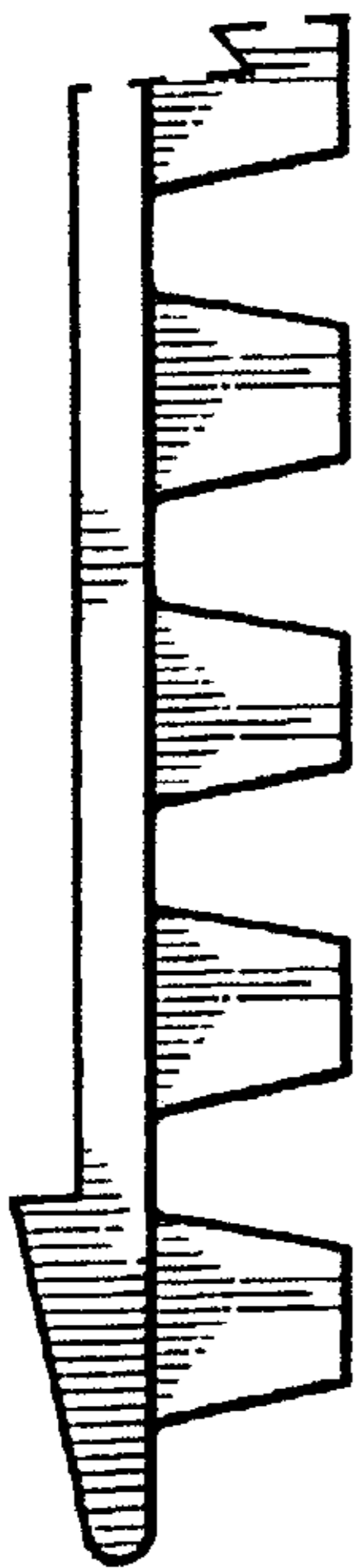


Fig. 7

