

US00D519211S

(12) **United States Design Patent**  
**Doty et al.**

(10) **Patent No.:** **US D519,211 S**  
(45) **Date of Patent:** **\*\* Apr. 18, 2006**

(54) **WALKER**

(75) Inventors: **Alexis L. Doty**, Carlsbad, CA (US);  
**Bonnie F Livolsi**, Oceanside, CA (US);  
**Drew R. Verkade**, Carlsbad, CA (US);  
**Emmanuel A. Villegas**, Oceanside, CA  
(US); **Andy Kazmierczak**, Oceanside,  
CA (US)

5,429,588 A \* 7/1995 Young et al. .... 602/27  
D363,780 S 10/1995 Darby et al.  
5,464,385 A 11/1995 Grim  
5,577,998 A 11/1996 Johnson, Jr. et al.  
5,611,773 A 3/1997 Nash et al.  
5,902,259 A \* 5/1999 Wilkerson ..... 602/27  
D473,654 S \* 4/2003 Iglesias et al. .... D24/192  
D497,207 S \* 10/2004 Slautterback et al. .... D24/192  
D500,855 S \* 1/2005 Pick et al. .... D24/192

(73) Assignee: **DJ Orthopedics, LLC**, Vista, CA (US)

**FOREIGN PATENT DOCUMENTS**

(\*\*) Term: **14 Years**

WO WO 93/06797 4/1993  
WO WO 94/27529 12/1994

(21) Appl. No.: **29/196,058**

**OTHER PUBLICATIONS**

(22) Filed: **Dec. 18, 2003**

Brochure "Donjoy Range-Of-Motion Walker: Setting the Pace in Ankle Injury Management", undated.

(51) **LOC (8) Cl.** ..... **24-04**

(52) **U.S. Cl.** ..... **D24/192**

(58) **Field of Classification Search** ..... D24/192;  
602/27, 23, 16, 10; 128/882

See application file for complete search history.

\* cited by examiner

*Primary Examiner*—Ian Simmons

*Assistant Examiner*—Daniel Yu

(74) *Attorney, Agent, or Firm*—Knobbe, Martens, Olson & Bear LLP

(56) **References Cited**

**U.S. PATENT DOCUMENTS**

4,057,056 A 11/1977 Payton  
4,378,793 A 4/1983 Mauldin et al.  
4,414,965 A 11/1983 Mauldin et al.  
4,446,856 A 5/1984 Jordan  
4,572,169 A 2/1986 Mauldin et al.  
4,771,768 A 9/1988 Crispin  
4,919,118 A 4/1990 Morris  
4,962,760 A 10/1990 Jones  
4,974,583 A 12/1990 Freitas  
5,078,128 A 1/1992 Grim et al.  
5,092,321 A 3/1992 Spademan  
5,094,232 A \* 3/1992 Harris et al. .... 602/16  
5,176,623 A 1/1993 Stetman et al.  
5,183,036 A \* 2/1993 Spademan ..... 602/10  
5,250,021 A \* 10/1993 Chang ..... 602/27  
D344,589 S \* 2/1994 Kilbey ..... D24/192  
5,370,133 A 12/1994 Darby et al.

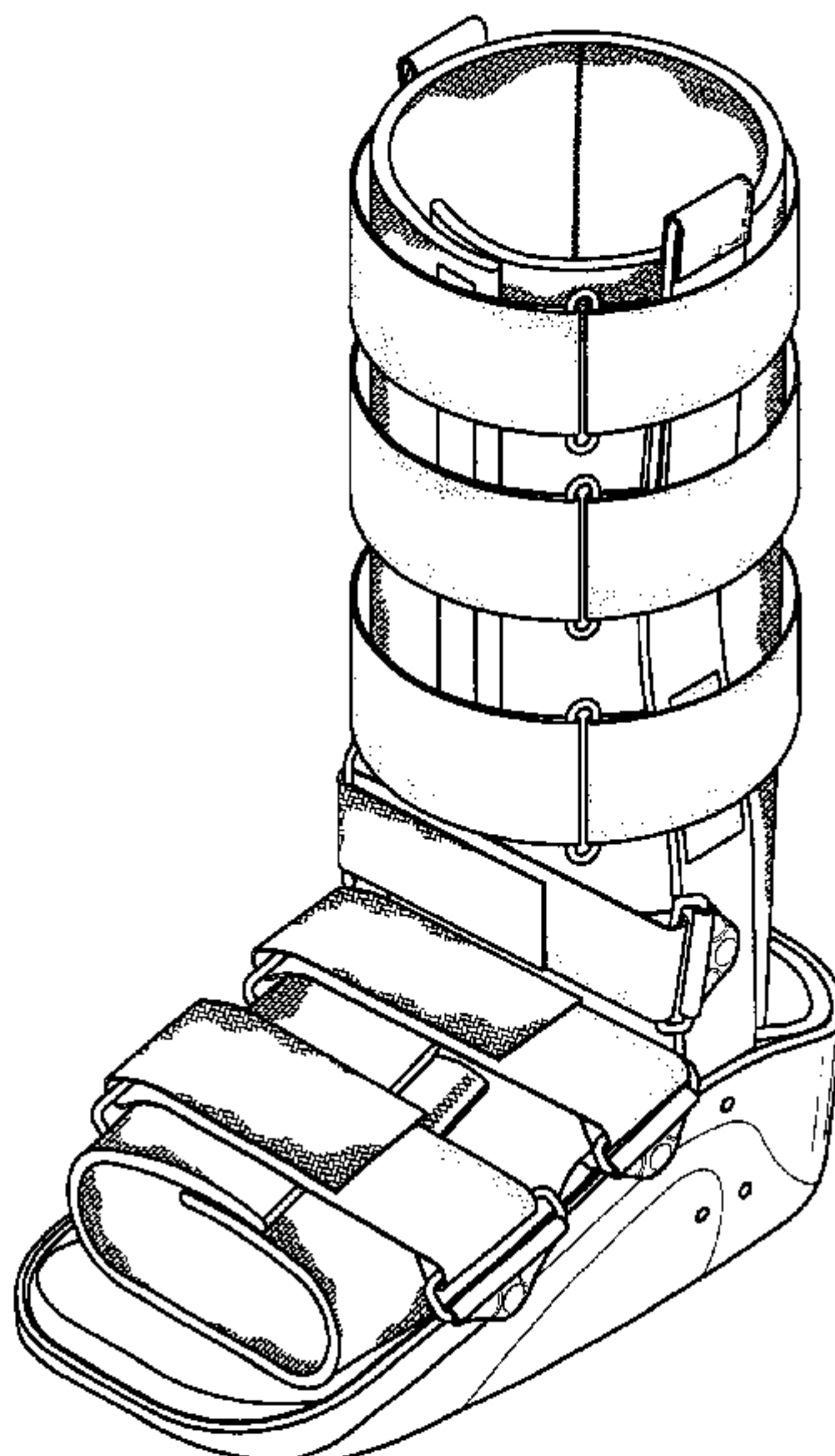
(57) **CLAIM**

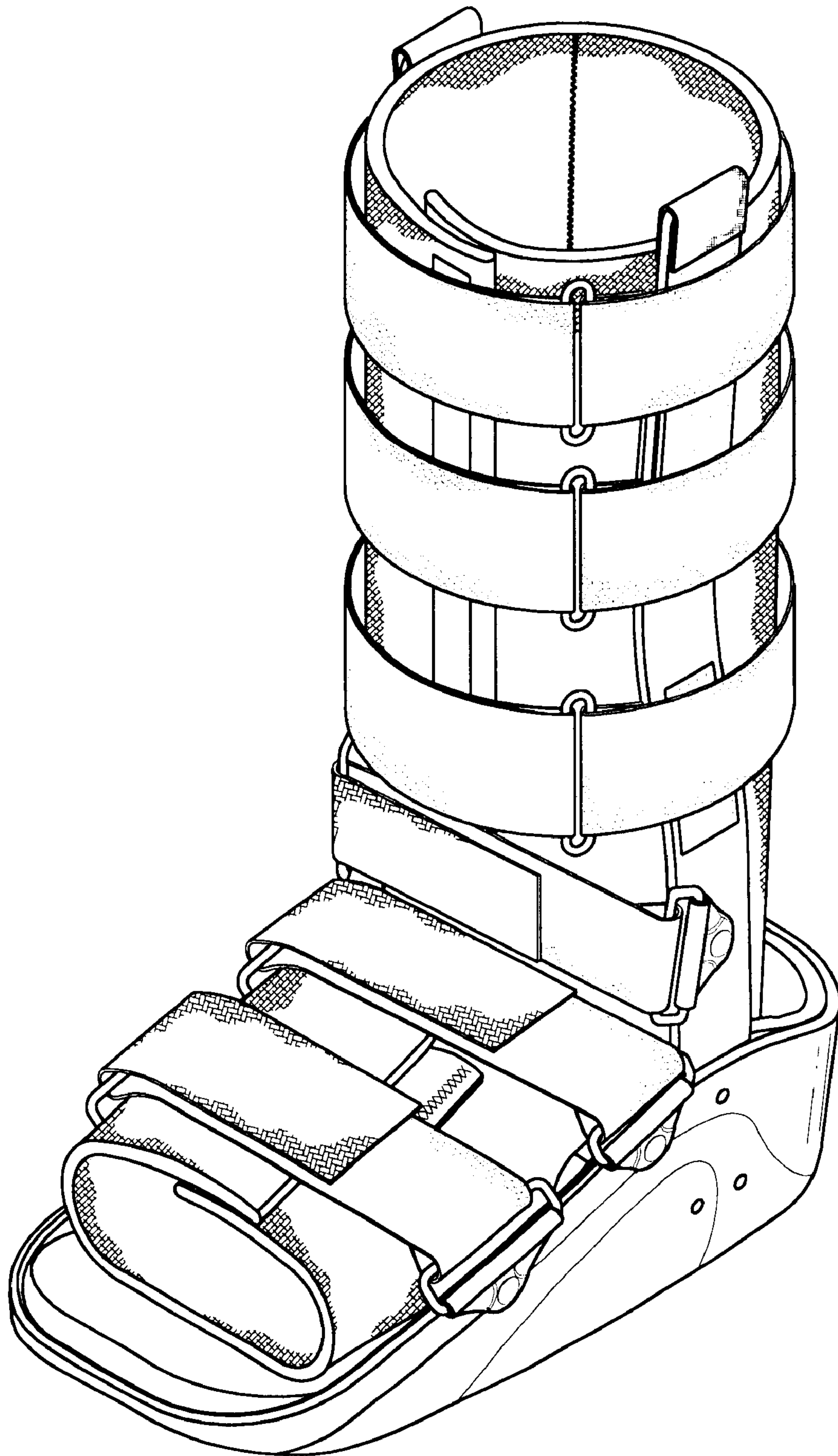
The ornamental design for a walker, as shown and described.

**DESCRIPTION**

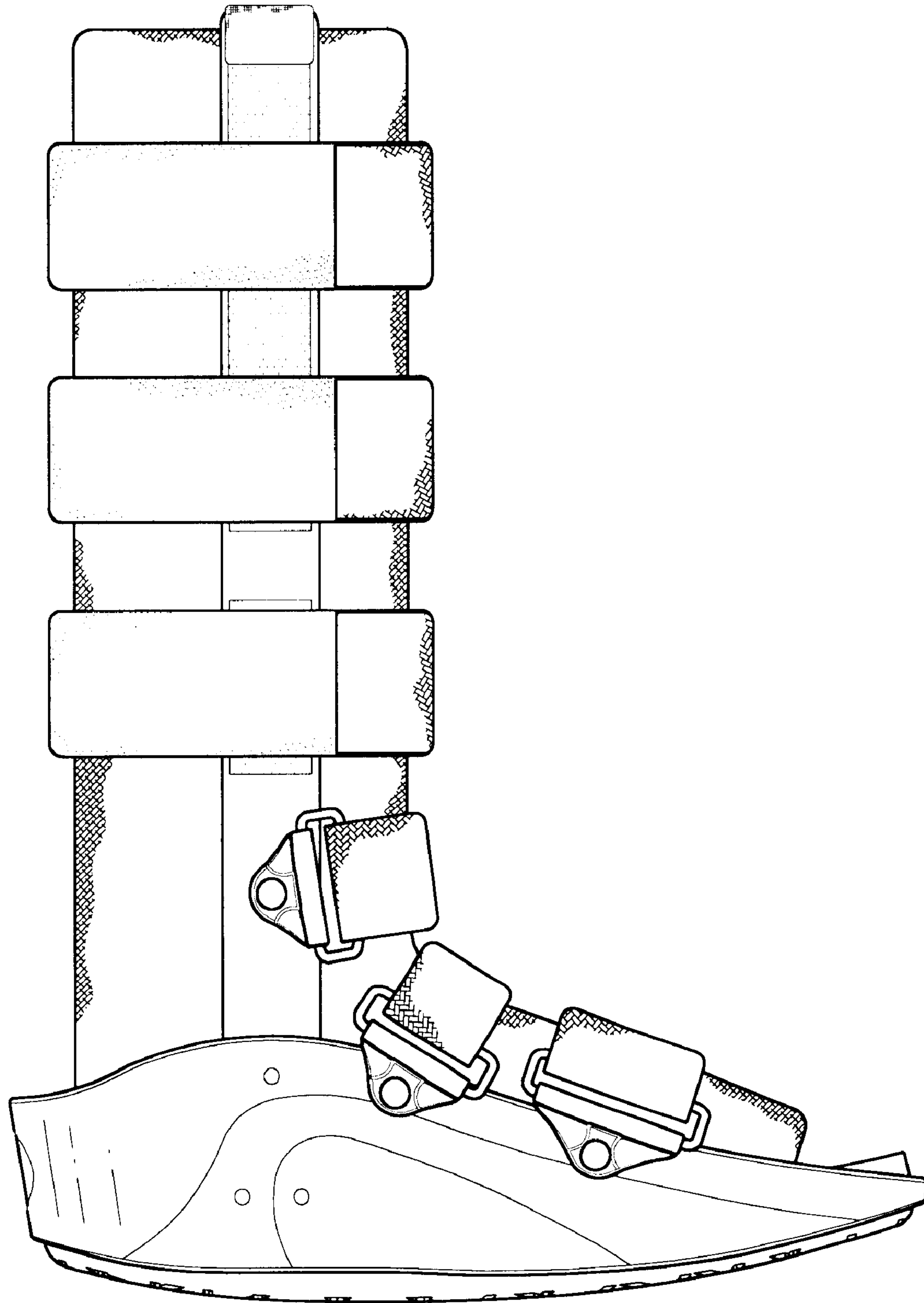
FIG. 1 is a front/right-side perspective view of a preferred embodiment of the walker according to the present design; FIG. 2 is a left-side elevational view of the walker of FIG. 1; FIG. 3 is a right-side elevational view of the walker of FIG. 1; FIG. 4 is a front elevational view of the walker of FIG. 1; FIG. 5 is a rear elevational view of the walker of FIG. 1; FIG. 6 is a bottom plan view of the walker of FIG. 1; and, FIG. 7 is a top plan view of the walker of FIG. 1.

**1 Claim, 5 Drawing Sheets**

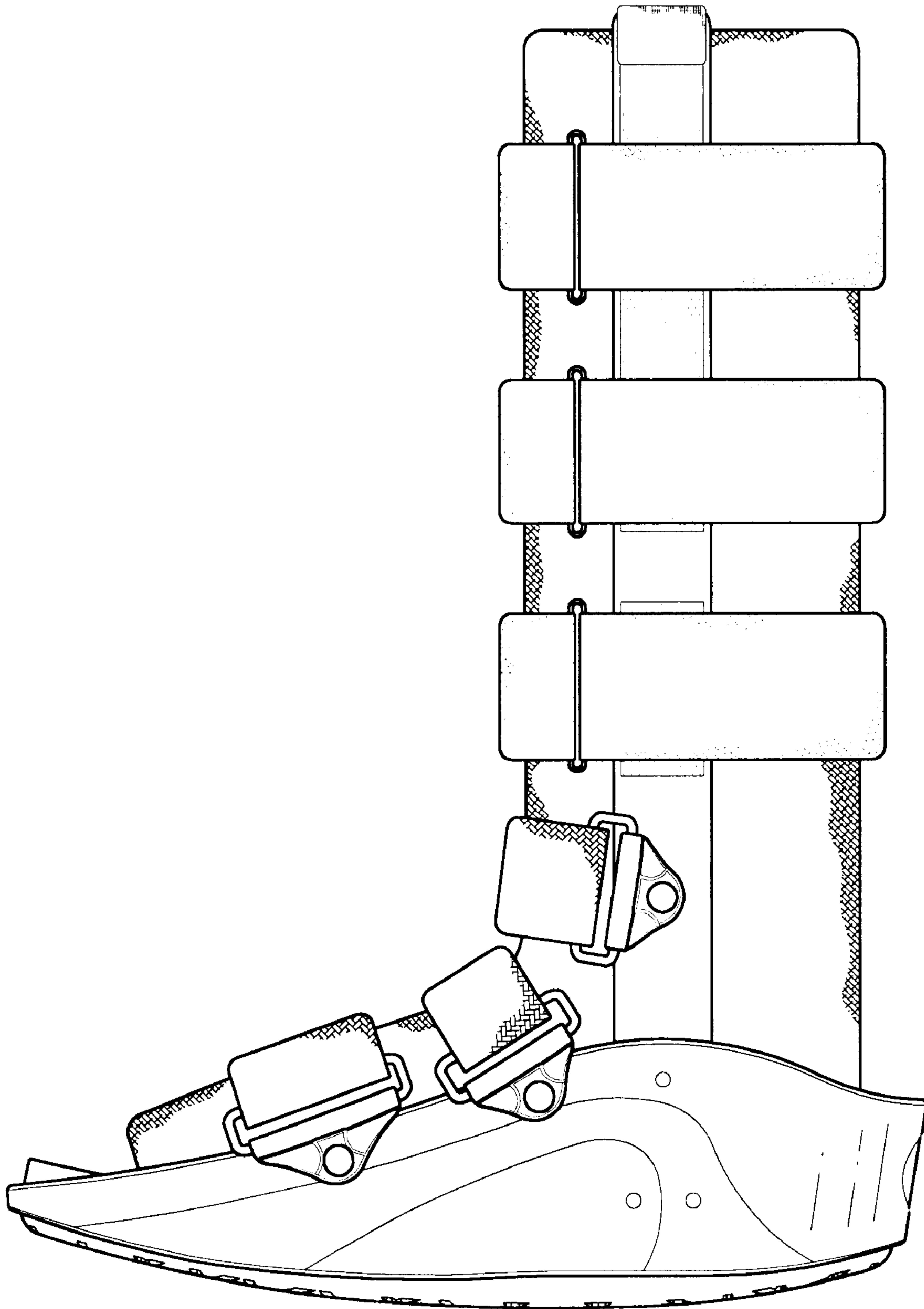




*FIG. 1*

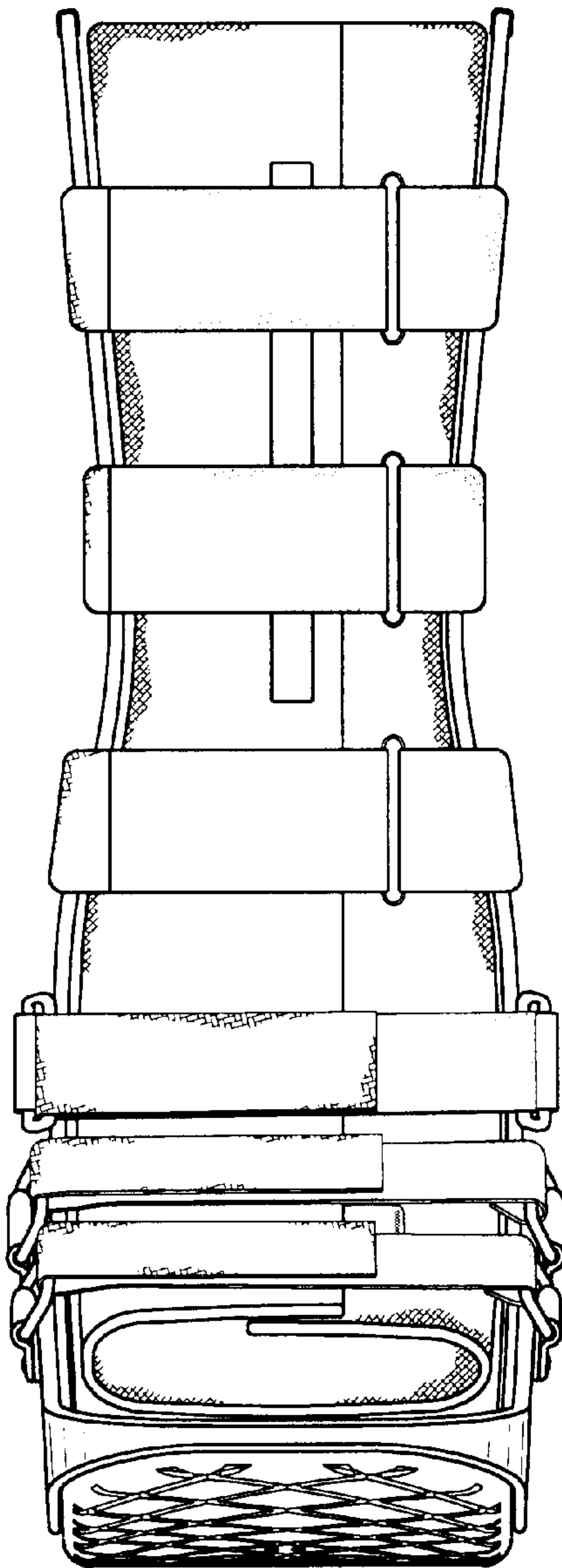


*FIG. 2*

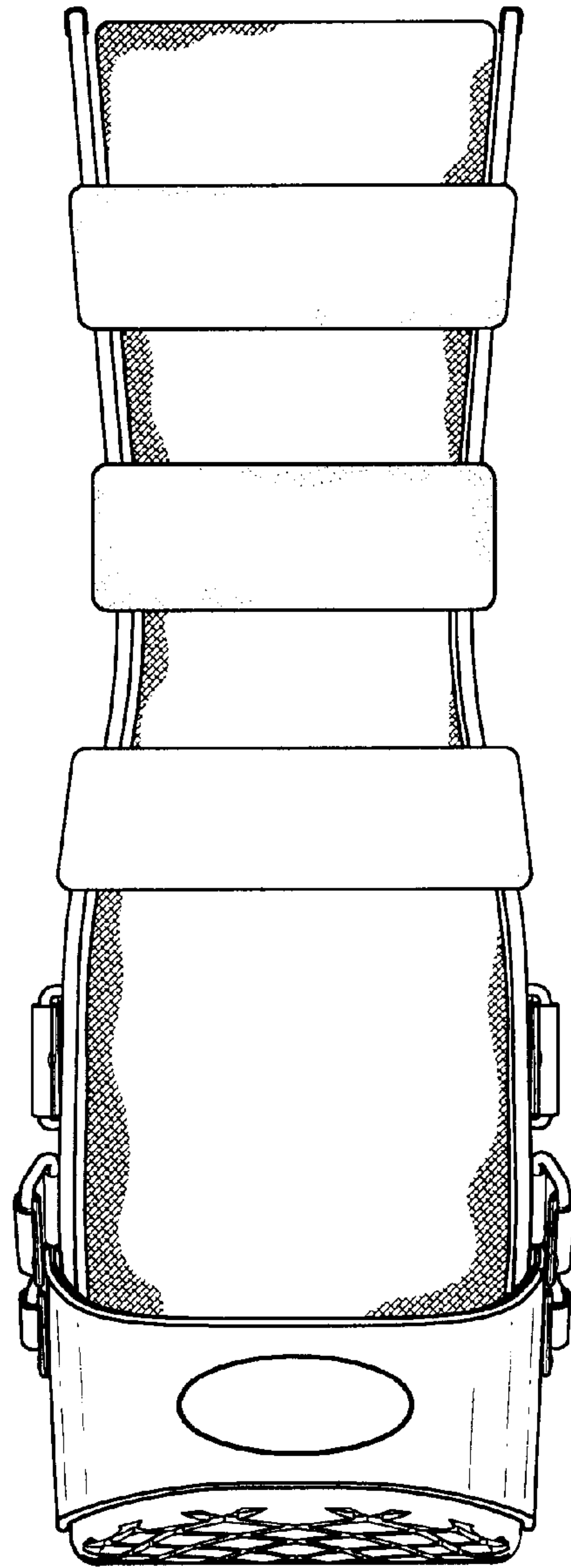


*FIG. 3*

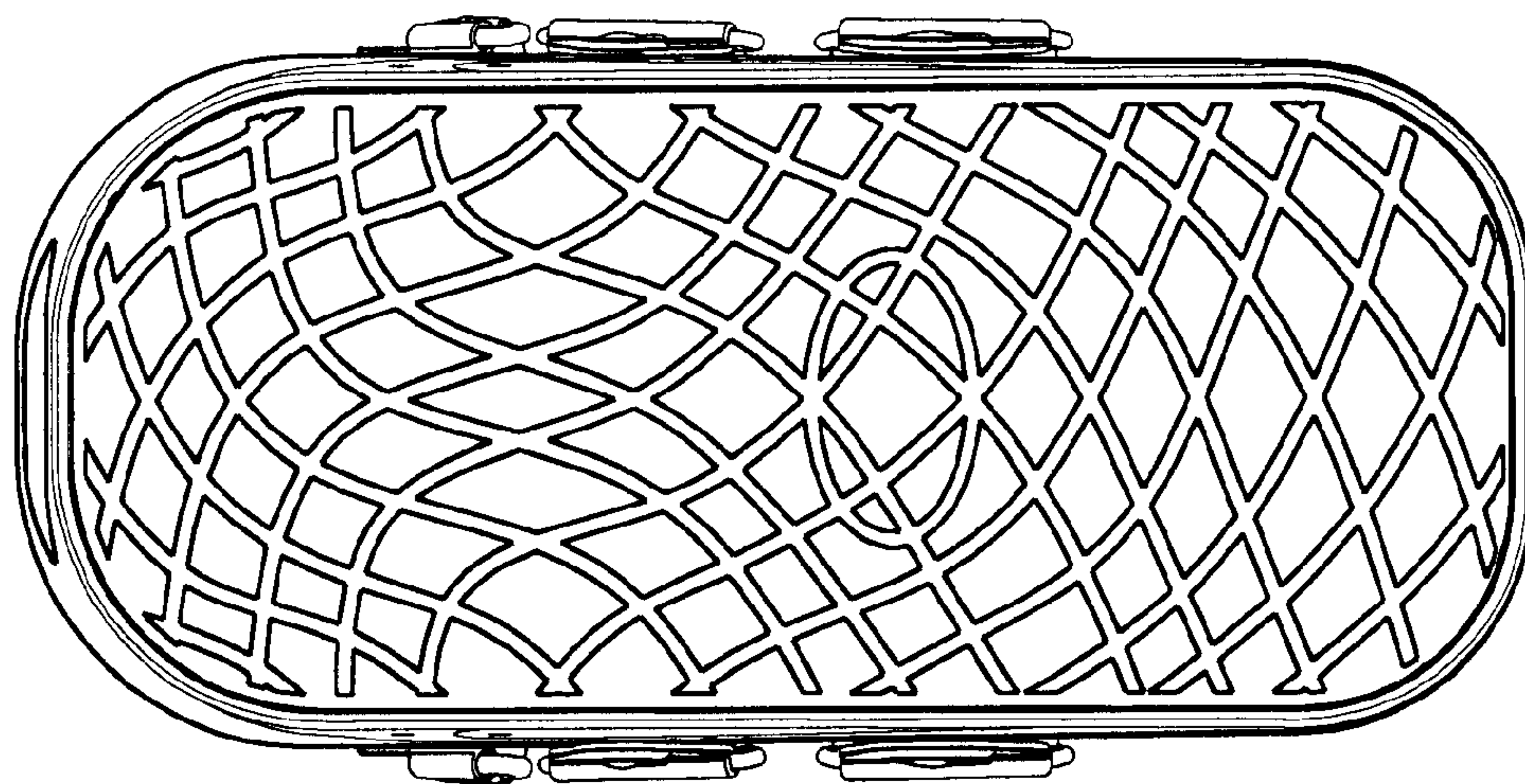




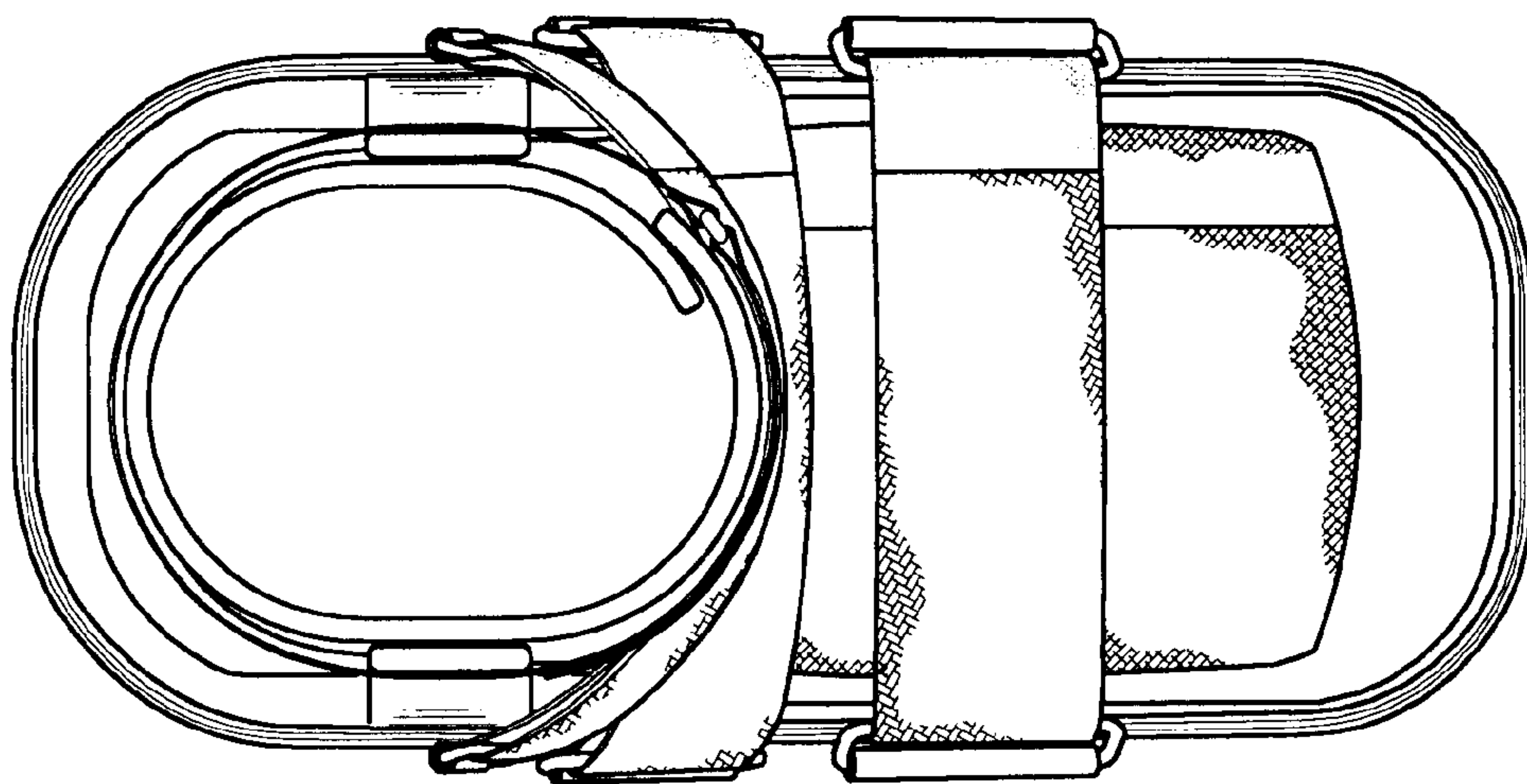
*FIG. 4*



*FIG. 5*



*FIG. 6*



*FIG. 7*