



US00D519209S

(12) **United States Design Patent**
Bublewitz et al.

(10) **Patent No.: US D519,209 S**

(45) **Date of Patent: ** Apr. 18, 2006**

(54) **DUAL CONTAINER ASSEMBLY**

(75) Inventors: **Alexander Bublewitz**, Herborn (DE);
Matthias Suchan, Hachenburg (DE)

(73) Assignee: **Kettenbach GmbH & Co. KG**,
Eschenburg (DE)

(**) Term: **14 Years**

(21) Appl. No.: **29/221,189**

(22) Filed: **Jan. 13, 2005**

Related U.S. Application Data

(63) Continuation of application No. 29/190,901, filed on Sep. 30, 2003, now abandoned.

(30) **Foreign Application Priority Data**

Apr. 1, 2003 (EP) 000 018 031
May 16, 2003 (EP) 000 031 588

(51) **LOC (8) Cl.** **24-04**

(52) **U.S. Cl.** **D24/176**

(58) **Field of Classification Search** D24/224,
D24/216, 181, 176; 424/530; 422/99; 435/283.1,
435/288.1, 288.2, 304.1, 304.2, 810
See application file for complete search history.

(56) **References Cited**

U.S. PATENT DOCUMENTS

D231,616 S * 5/1974 Hildebrant et al. D24/224
D309,015 S * 7/1990 Fechtner et al. D24/224
5,356,814 A * 10/1994 Carrico et al. 435/283.1
D370,263 S * 5/1996 Falkenberg et al. D24/224
D411,014 S * 6/1999 Berger et al. D24/224
D411,307 S * 6/1999 Oakes D24/224
6,207,445 B1 * 3/2001 Crosby 435/283.1
D463,864 S * 10/2002 Treadwell et al. D24/224

FOREIGN PATENT DOCUMENTS

GB 2099047 * 11/2001

OTHER PUBLICATIONS

Kettenbach Dental, "Das Schlauchbeutelssystem von Kettenbach—das System, das Sie weder schlaucht noch beutelt," Dec. 2002, 4 pages.

3M ESPE, "Pentamix 2 System. E.mix for Every Clinical Indication!," 3M Dental Products, St. Paul, Minnesota, Feb. 2001, 8 pages.

Kettenbach Dental, "Kettosil", Directions for Use, Mar. 2000, 1 page.

* cited by examiner

Primary Examiner—Charles A. Rademaker

(74) *Attorney, Agent, or Firm*—Foley & Lardner LLP

(57) **CLAIM**

The ornamental design for a dual container assembly, as shown and described.

DESCRIPTION

FIG. 1 is a perspective view of the dual container assembly taken from above, the front and the right side thereof;

FIG. 2 is a front elevational view of the dual container assembly;

FIG. 3 is a rear elevational view of the dual container assembly;

FIG. 4 is a left side elevational view of the dual container assembly;

FIG. 5 is a right side elevational view of the dual container assembly;

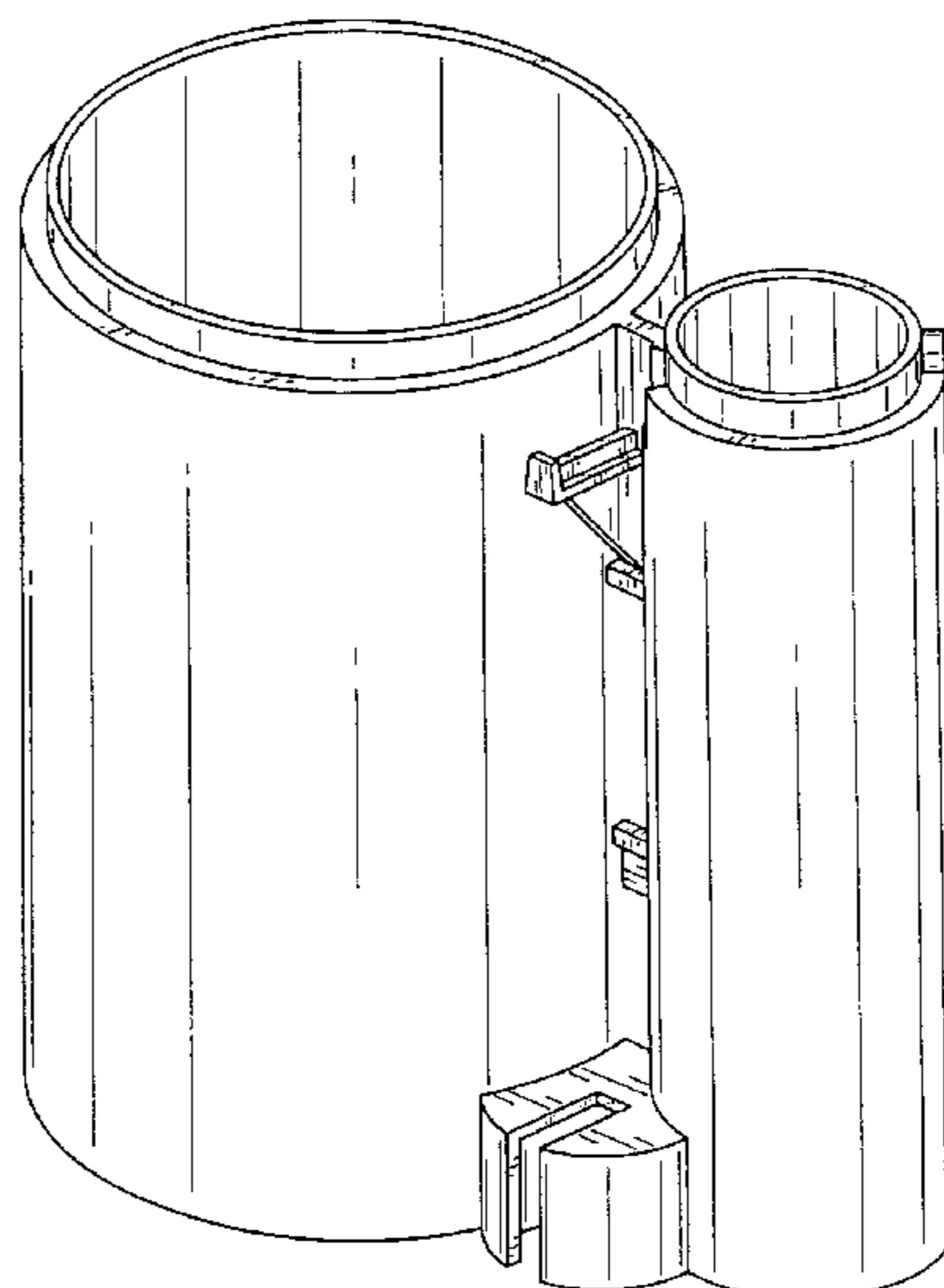
FIG. 6 is a top plan view of the dual container assembly;

FIG. 7 is a bottom plan view of the dual container assembly; and,

FIG. 8 is another perspective view thereof that includes a representation of a cover and a retaining member in broken lines.

The broken line showing of the cover and the retaining member in FIG. 8 is for illustrative purposes only and forms no part of the claimed design.

1 Claim, 8 Drawing Sheets



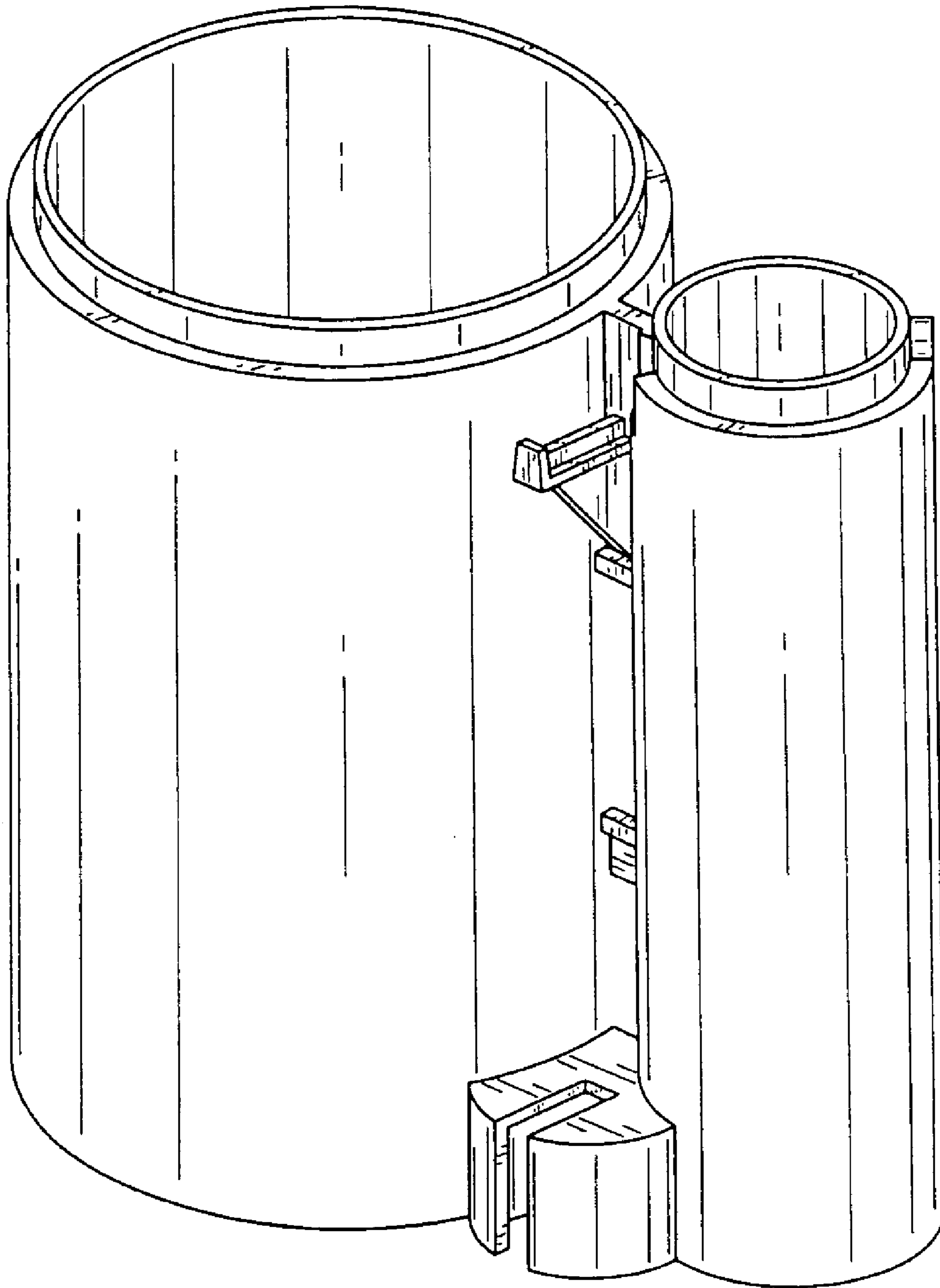


FIG. 1



FIG. 2

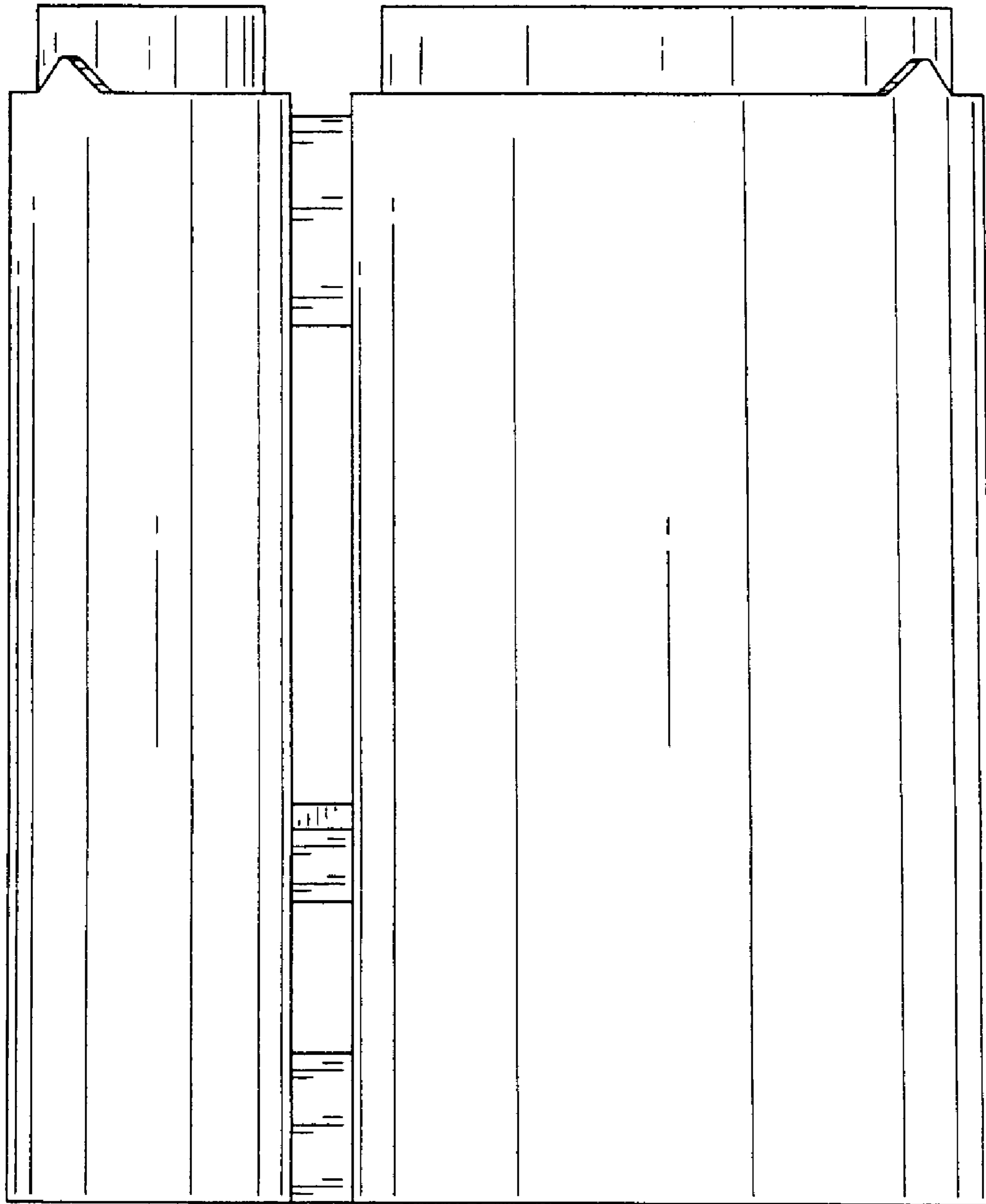


FIG. 3

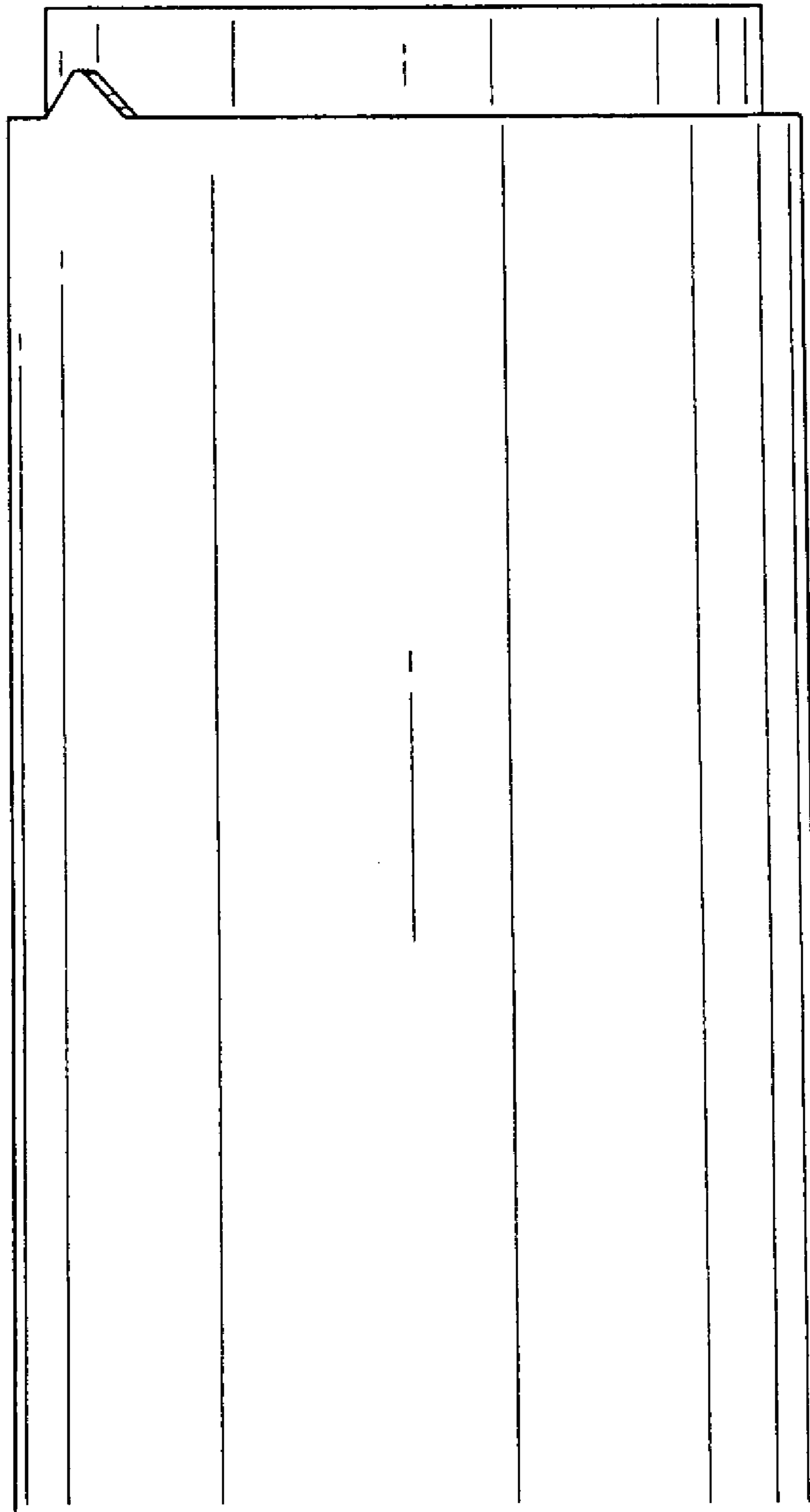


FIG. 4

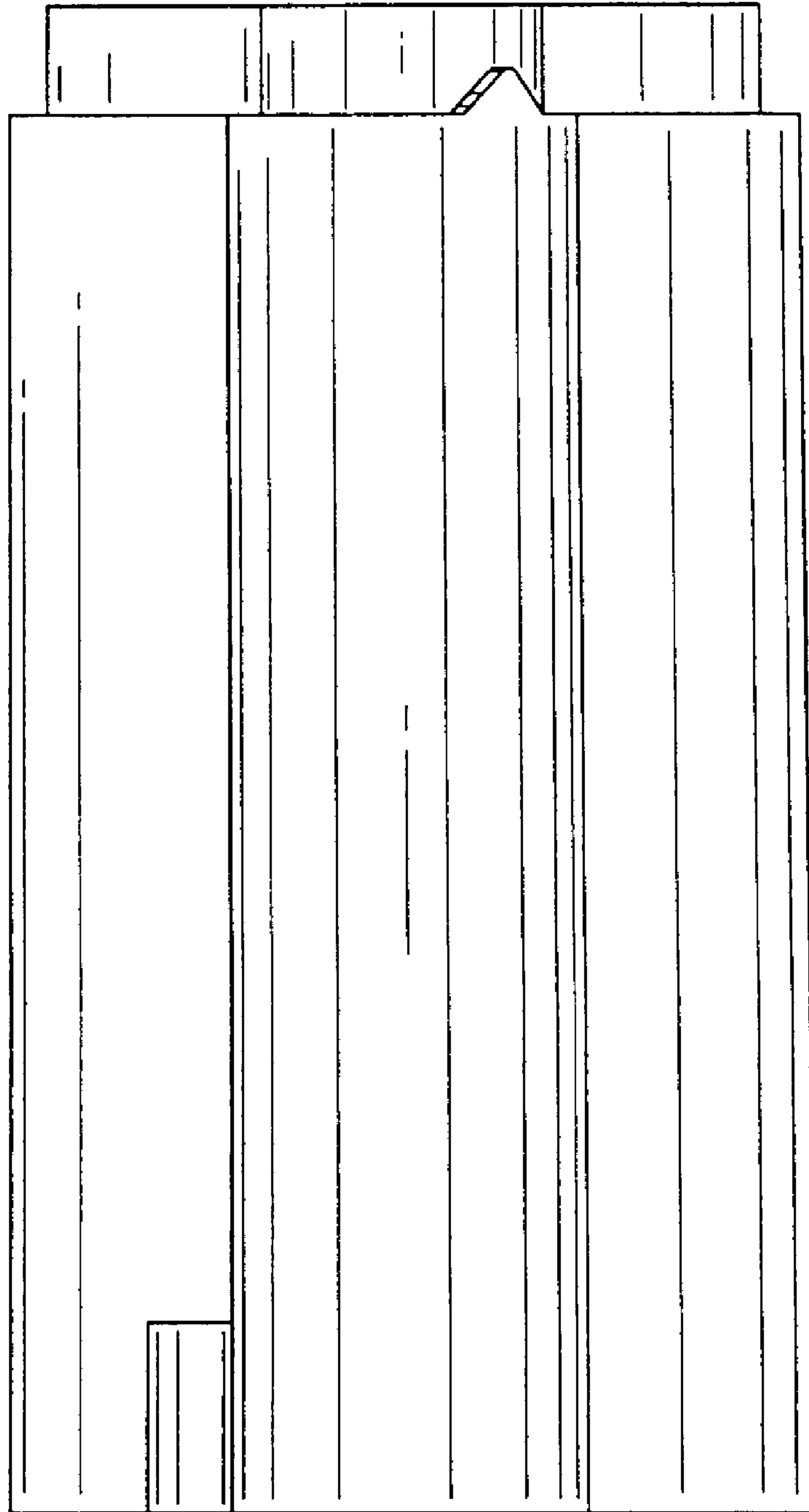


FIG. 5

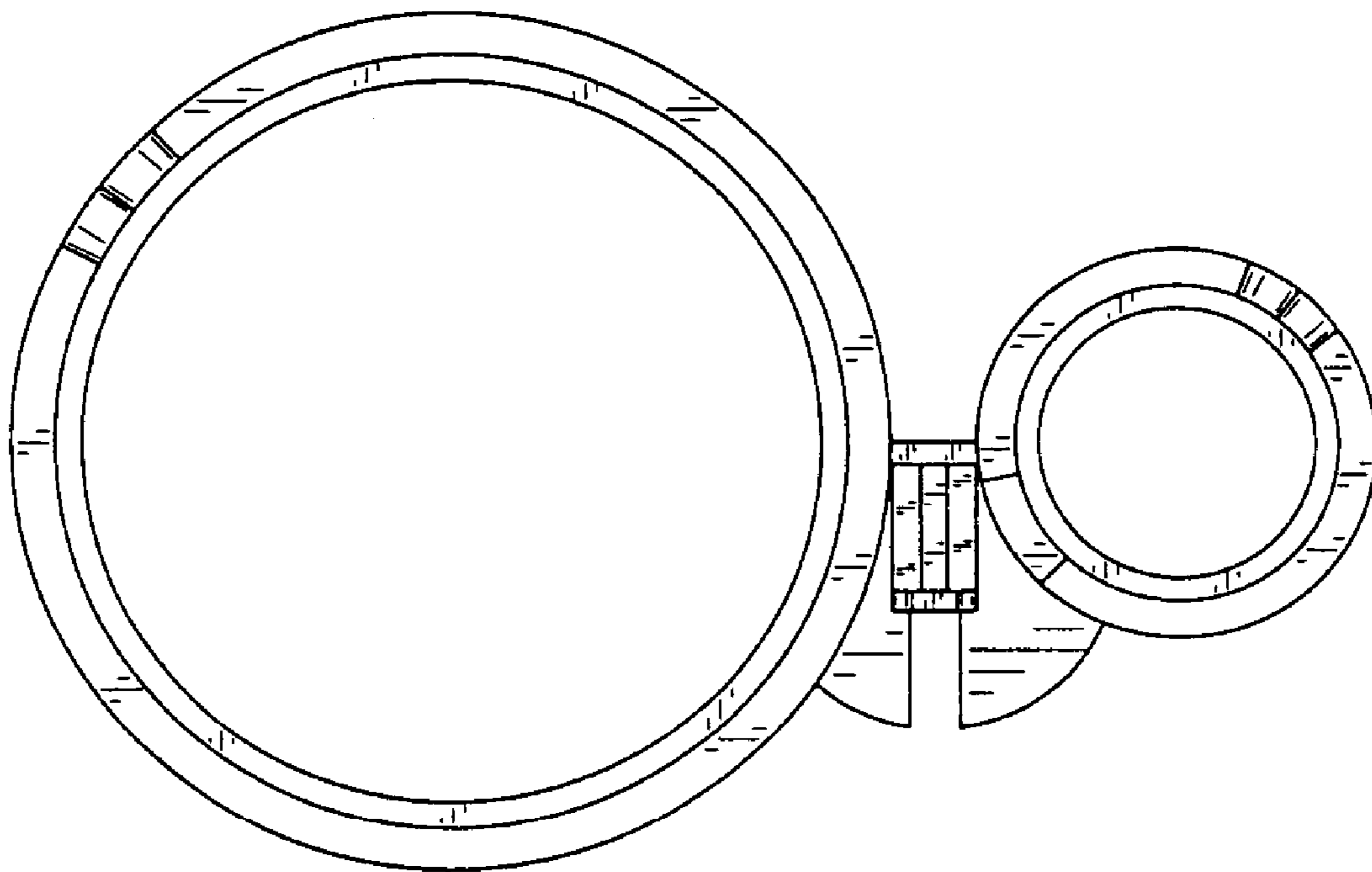


FIG. 6

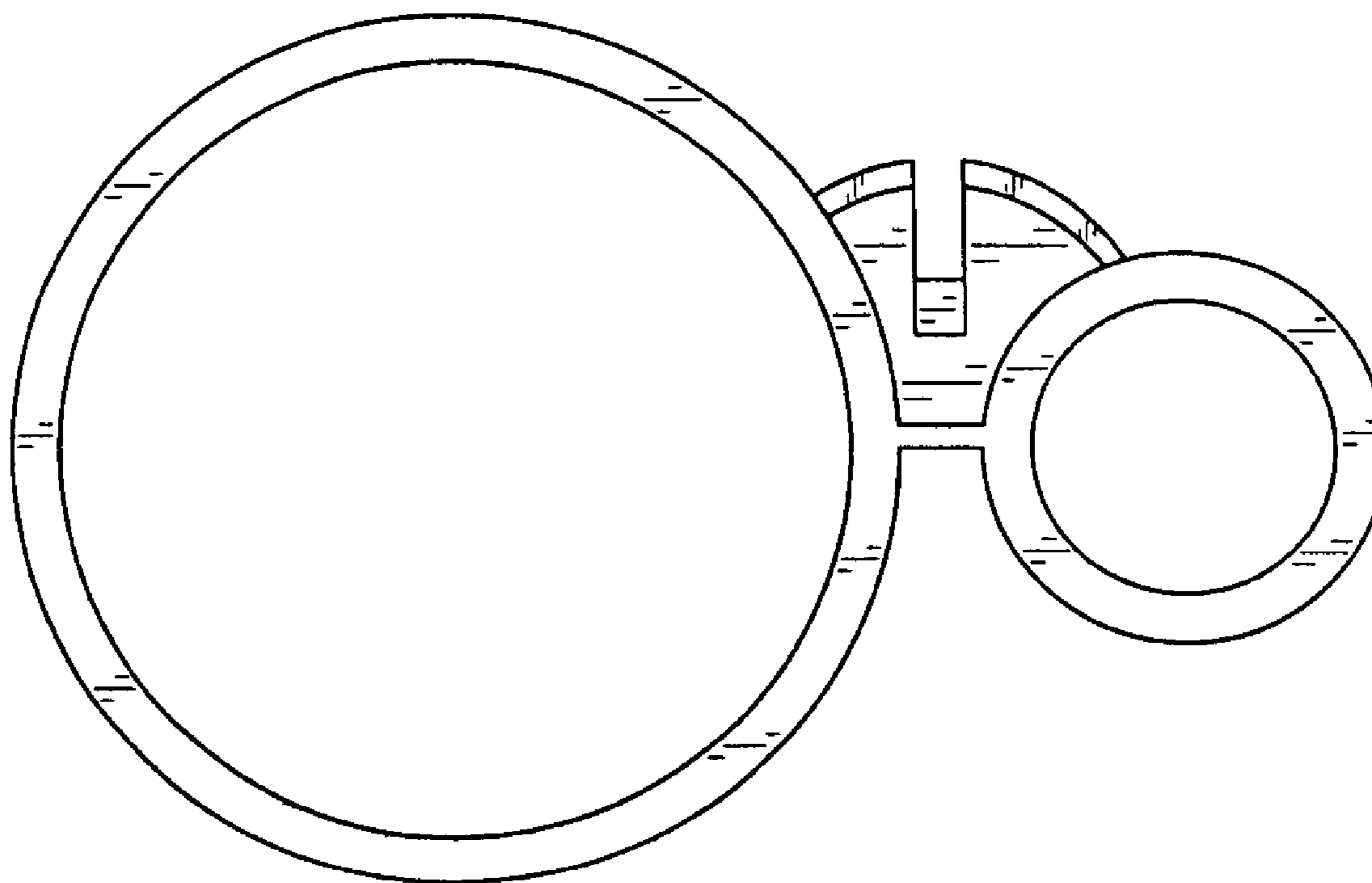


FIG. 7

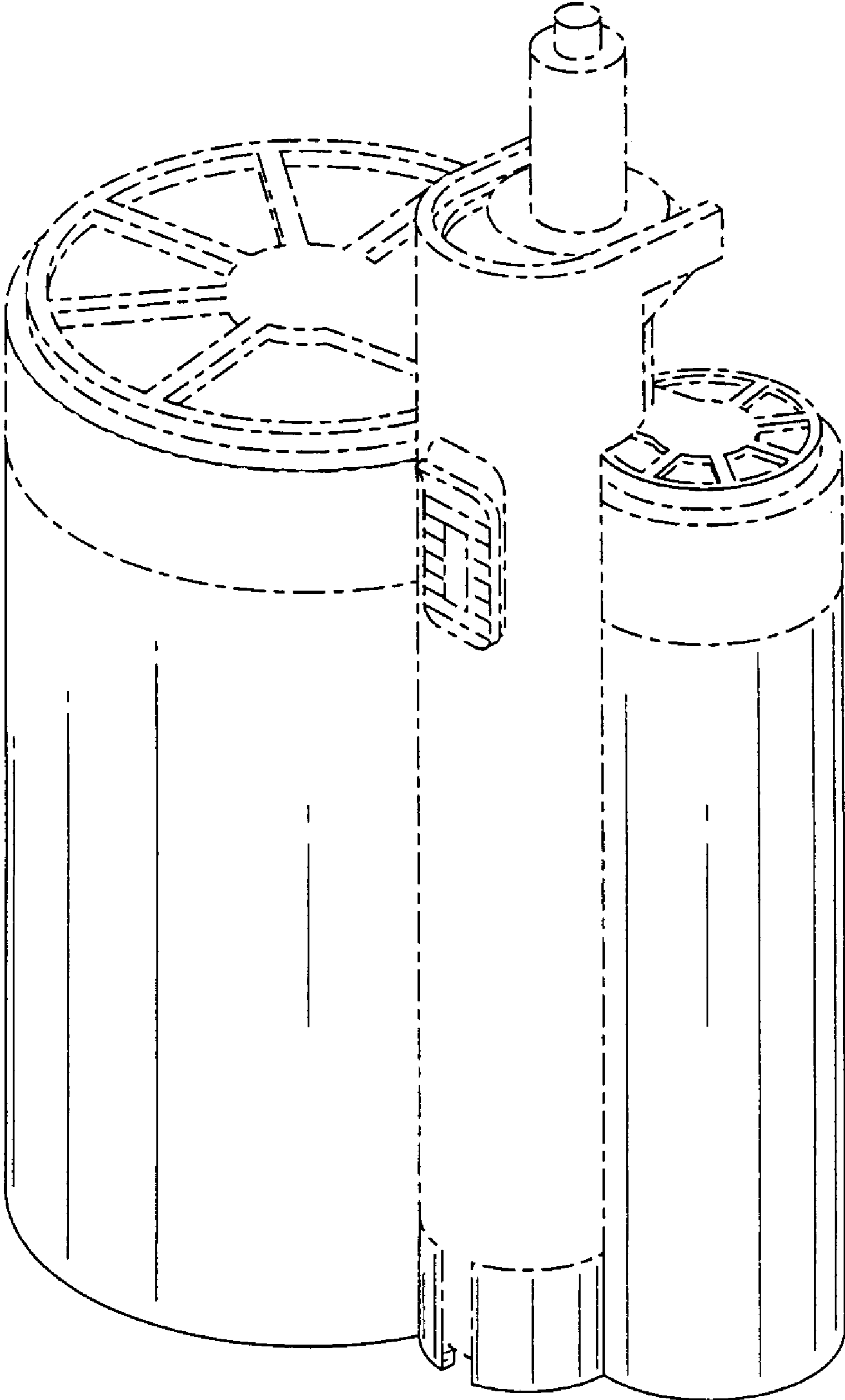


FIG. 8