



US00D519207S

(12) **United States Design Patent**
Raje et al.

(10) **Patent No.:** **US D519,207 S**

(45) **Date of Patent:** **** Apr. 18, 2006**

(54) **FOREHEAD SUPPORT AND PORTION OF JOINING MEMBER**

(75) Inventors: **Milind C. Raje**, Wentworthville (AU);
Aaron Samuel Davidson, Newport (AU); **Jim Saada**, Kellyville (AU);
Richard Sokolov, Earlwood (AU)

(73) Assignee: **ResMed Limited**, North Ryde (AU)

(**) Term: **14 Years**

(21) Appl. No.: **29/207,264**

(22) Filed: **Jun. 10, 2004**

D468,823 S	1/2003	Smart
6,532,961 B1	3/2003	Gunaratnam et al.
6,561,190 B1	5/2003	Kwok
6,581,602 B1	6/2003	Kwok et al.
D476,732 S	7/2003	Smart
D484,237 S	12/2003	Lang et al.
D486,226 S	2/2004	Guney et al.
D492,992 S	7/2004	Guney et al.
D493,885 S	8/2004	Raje et al.
D502,260 S	2/2005	Lang et al.
2002/0023649 A1	2/2002	Gunaratnam et al.
2002/0096176 A1	7/2002	Gunaratnam et al.
2003/0062048 A1	4/2003	Gradon et al.
2003/0089373 A1	5/2003	Gradon et al.
2003/0164170 A1	9/2003	Drew et al.

Related U.S. Application Data

(63) Continuation of application No. 29/181,057, filed on May 5, 2003, now Pat. No. Des. 493,885.

(51) **LOC (8) Cl.** **29-02**

(52) **U.S. Cl.** **D24/110.1; D24/110.4; D24/110.5**

(58) **Field of Classification Search** D24/110.1, D24/110.4, 110.5, 164; 128/205.25, 206.27, 128/207.11, 206.26, 207.17, 207.13, 206.21, 128/204.18, 206.12

See application file for complete search history.

(56) **References Cited**

U.S. PATENT DOCUMENTS

D322,318 S	12/1991	Sullivan
5,074,297 A	12/1991	Venegas
D402,755 S	12/1998	Kwok
6,044,844 A	4/2000	Kwok et al.
D428,987 S	8/2000	Kwok
D430,663 S	9/2000	Smart
6,112,746 A	9/2000	Kwok et al.
D439,326 S	3/2001	Hecker et al.
D443,355 S	6/2001	Gunaratnam et al.
D457,622 S	5/2002	Kopacko et al.
D458,365 S	6/2002	Kopacko et al.
D464,427 S	10/2002	Smart

FOREIGN PATENT DOCUMENTS

WO	WO 99/58181	11/1999
WO	WO 01/97892	12/2001

OTHER PUBLICATIONS

Product Brochure, "Spectrum® Reusable Full Face Mask", Respironics (1999), 2 pgs.

Primary Examiner—Ian Simmons

(74) *Attorney, Agent, or Firm*—Nixon & Vanderhye P.C.

(57) **CLAIM**

The ornamental design for a forehead support and portion of joining member, as shown and described.

DESCRIPTION

FIG. 1 is a front perspective view of a forehead support and portion of joining member showing our new design. The broken line showing is for illustrative purposes only and forms no part of the claimed design;

FIG. 2 is a front view thereof;

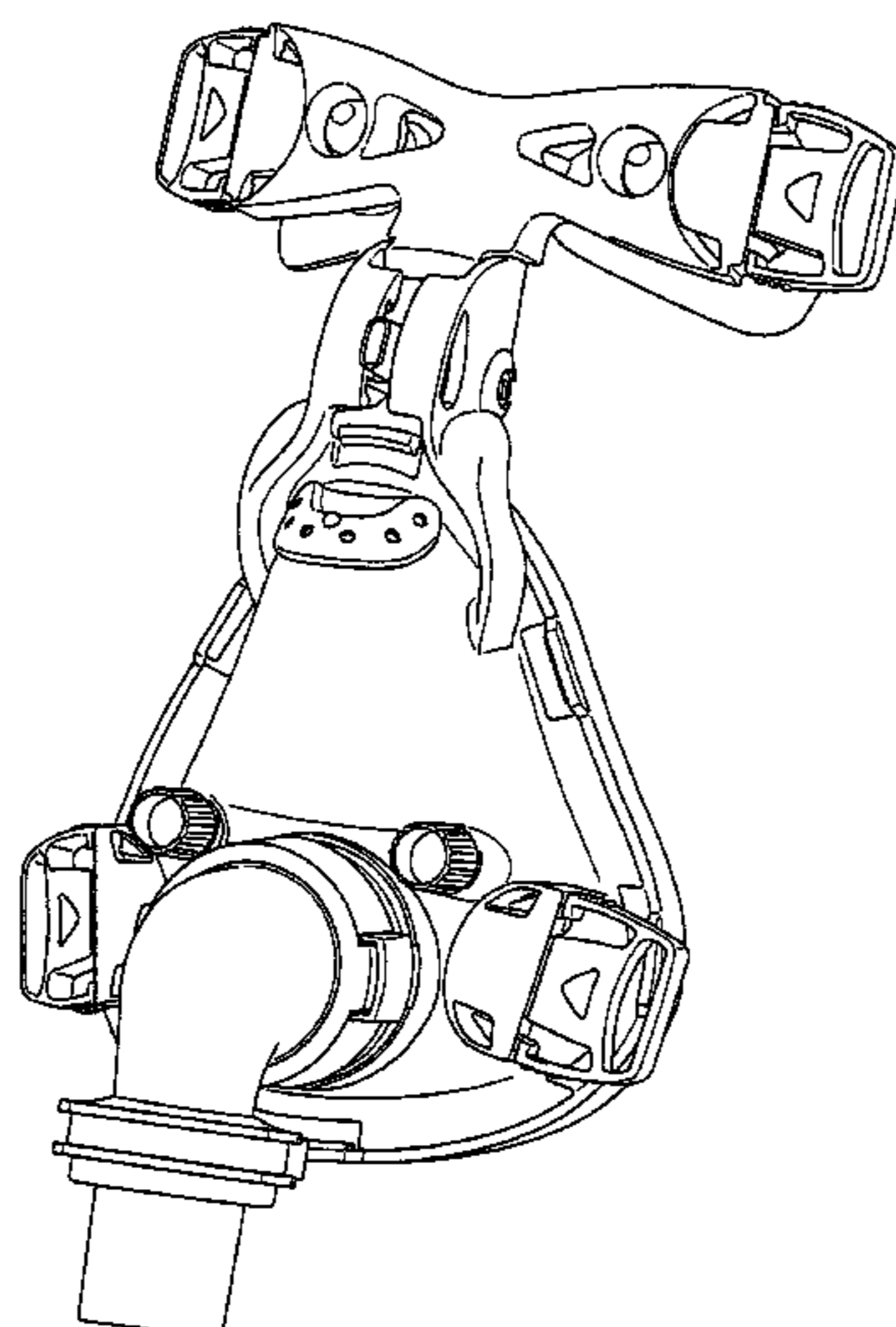
FIG. 3 rear view thereof;

FIG. 4 is a right side view thereof, with the left side view being a mirror image thereof;

FIG. 5 is a bottom view thereof; and,

FIG. 6 is a top view thereof.

1 Claim, 6 Drawing Sheets



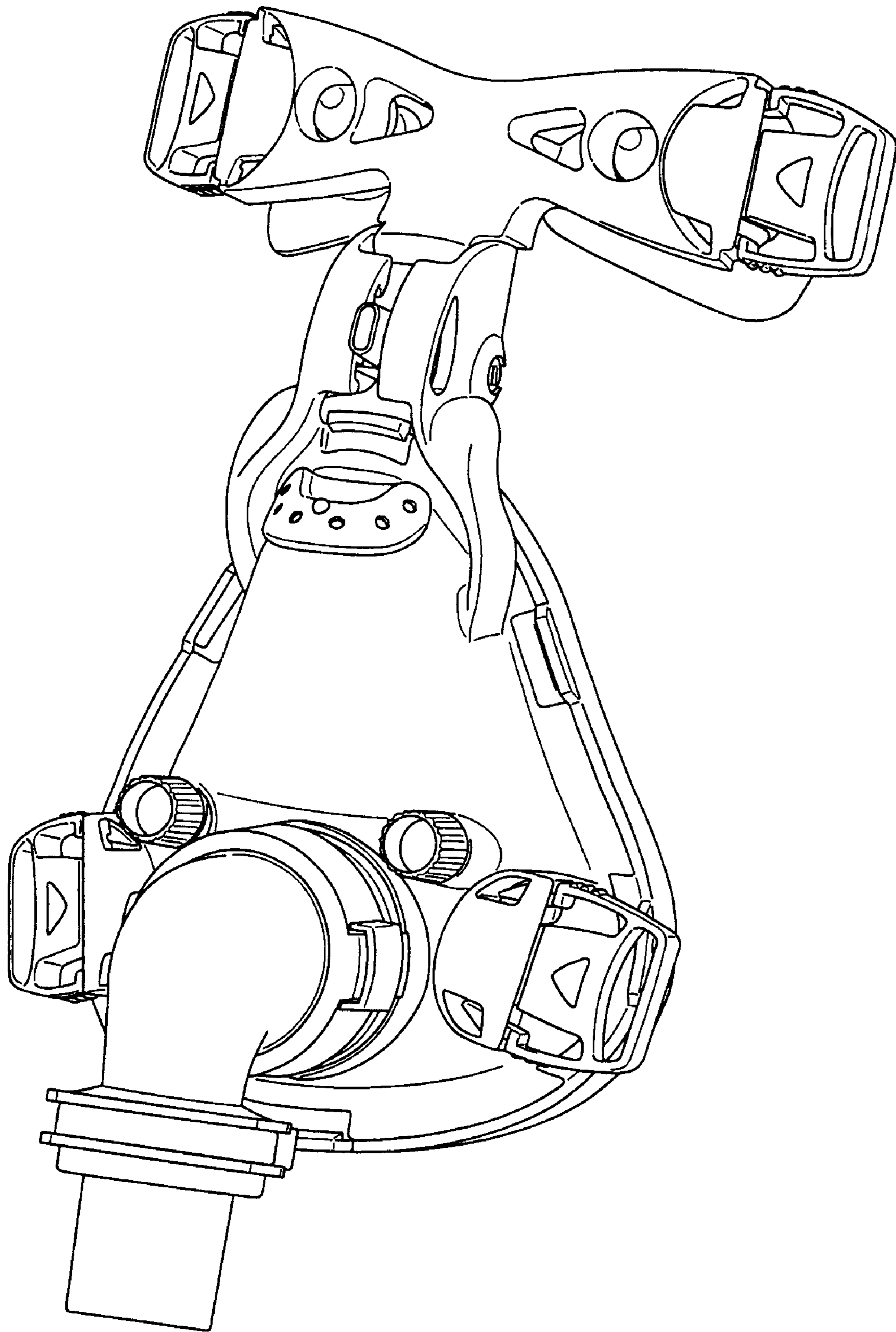


FIG. 1

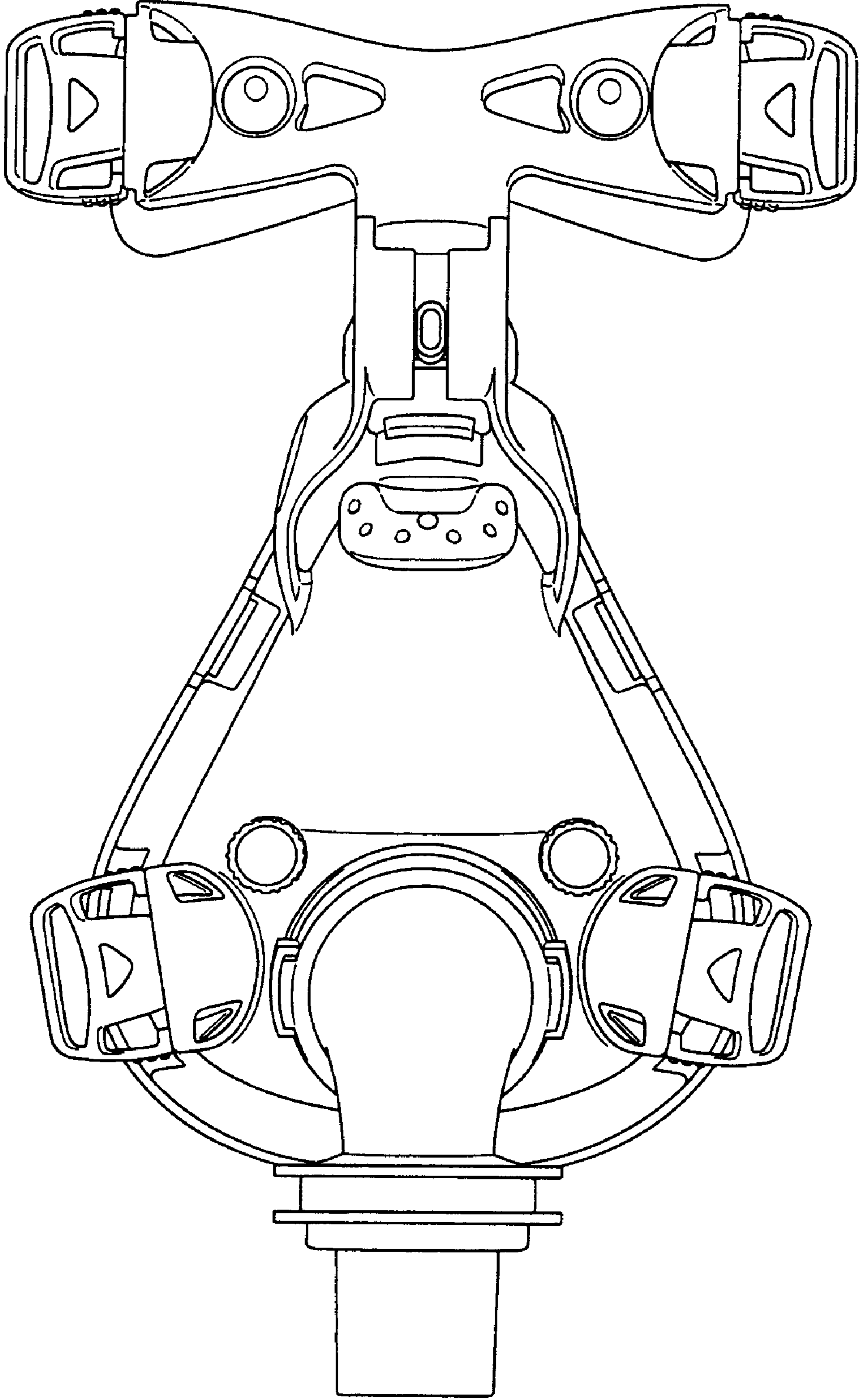


FIG. 2

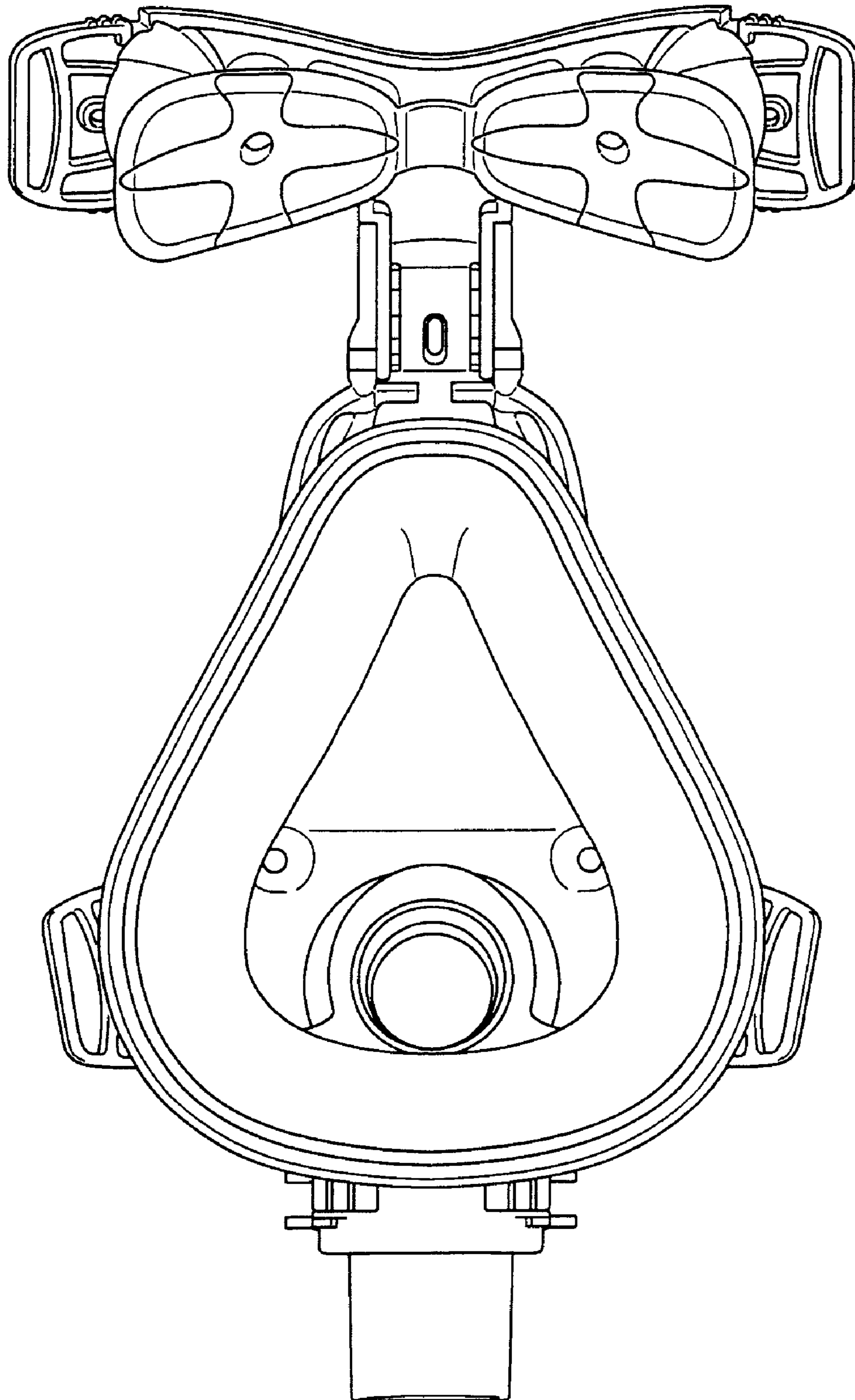


FIG. 3

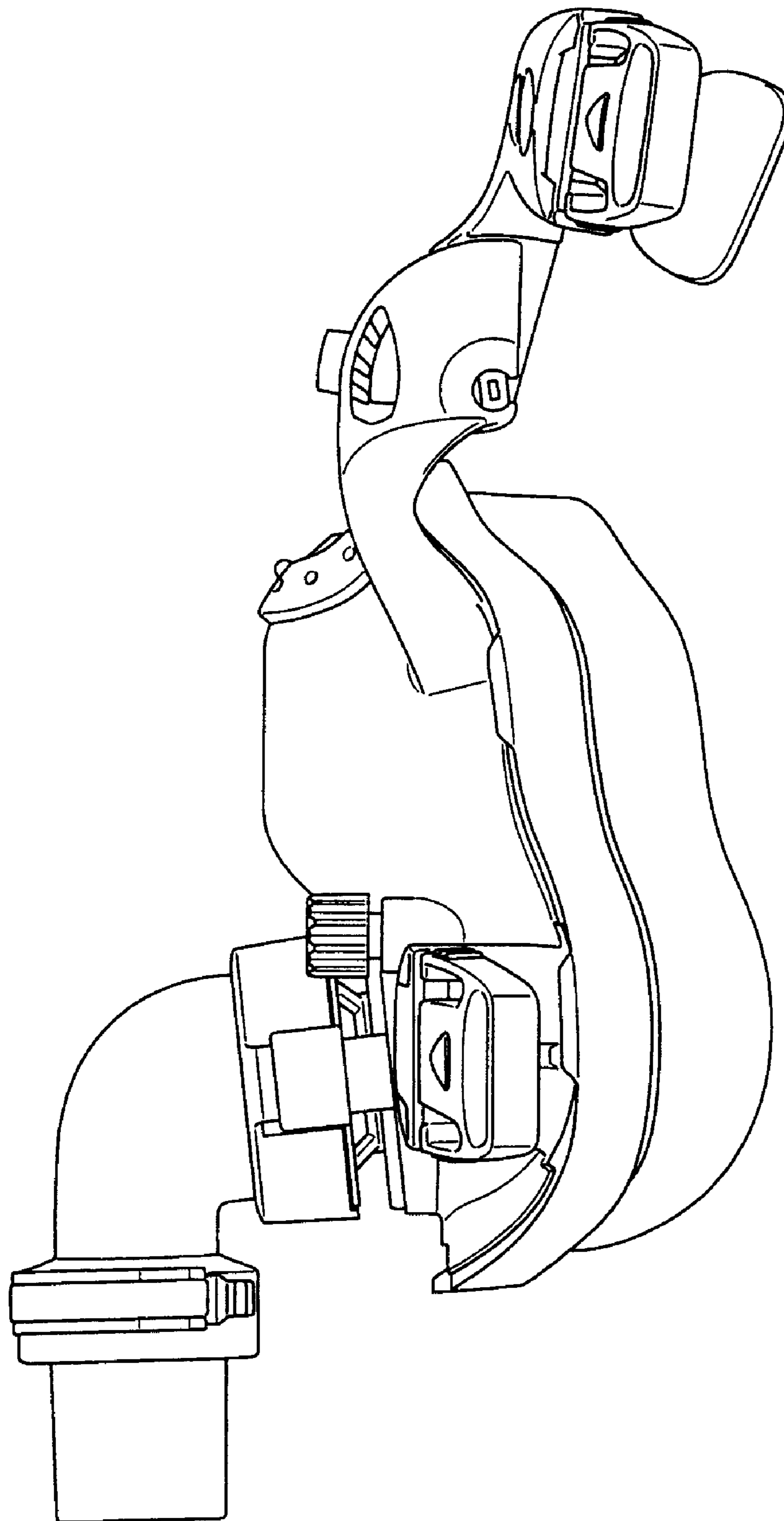


FIG. 4

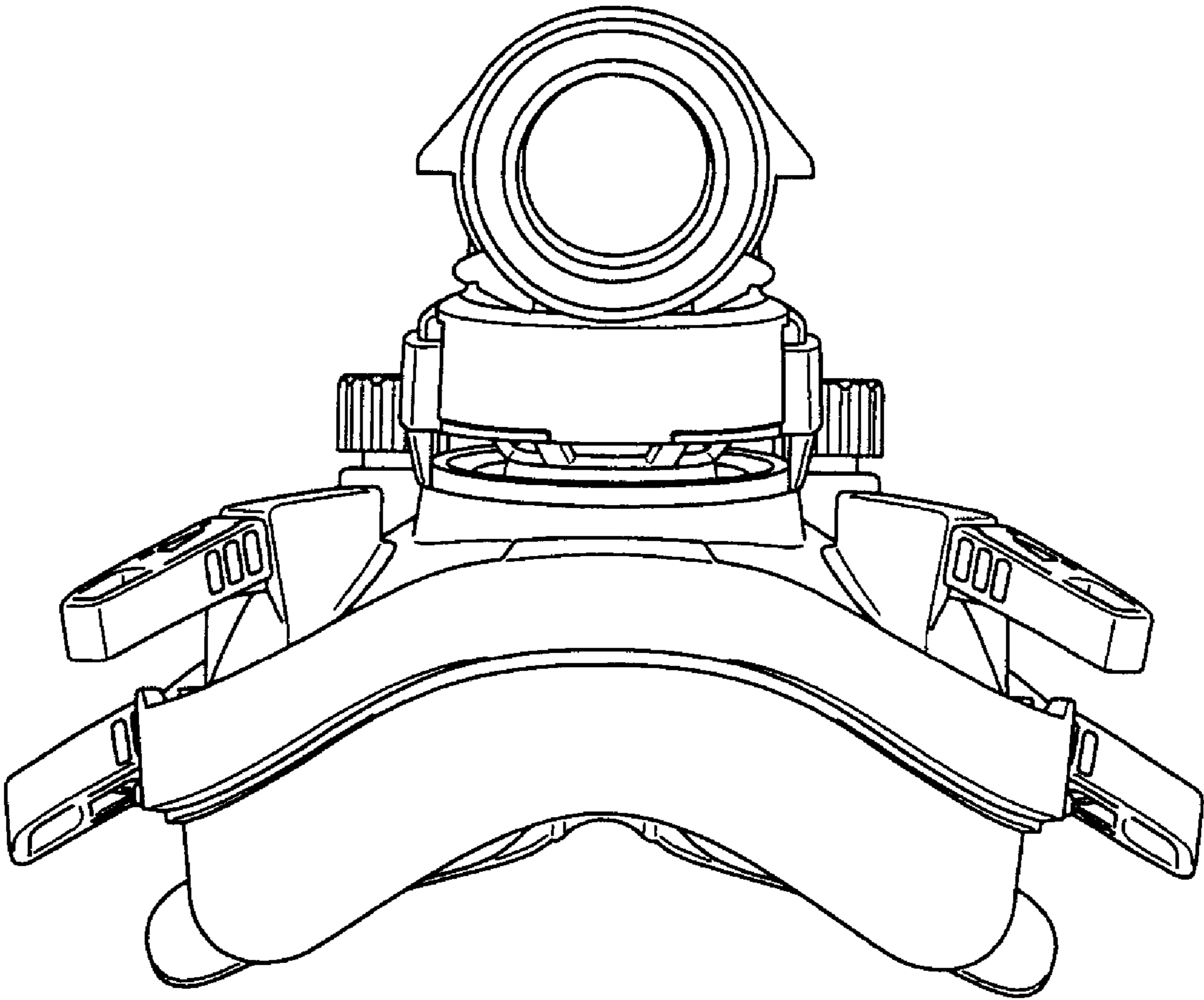


FIG. 5

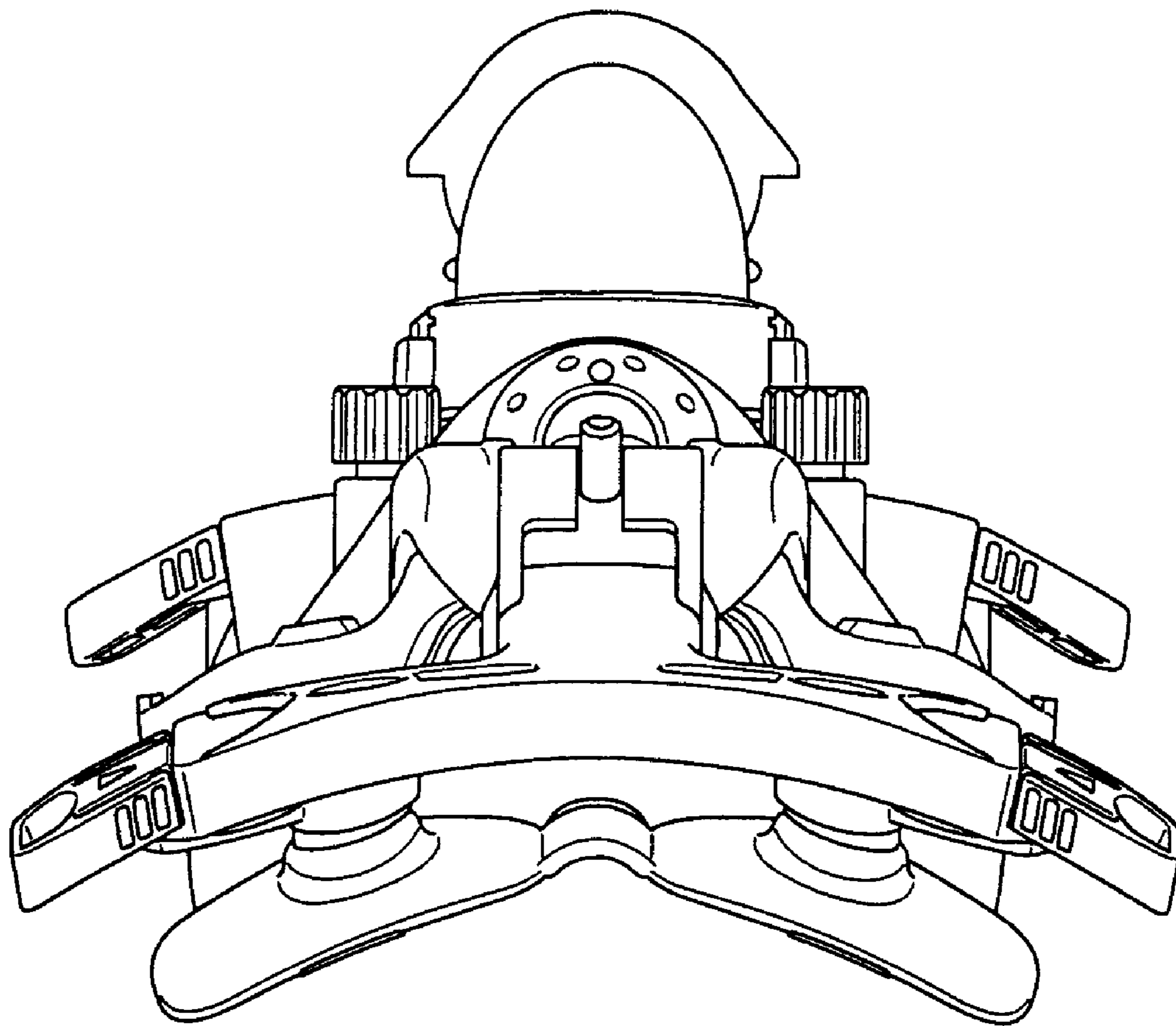


FIG. 6

UNITED STATES PATENT AND TRADEMARK OFFICE
CERTIFICATE OF CORRECTION

PATENT NO. : Des. 519,207 S
APPLICATION NO. : 29/207264
DATED : April 18, 2006
INVENTOR(S) : Raje et al.

Page 1 of 8

It is certified that error appears in the above-identified patent and that said Letters Patent is hereby corrected as shown below:

The title page, showing an illustrative figure, should be deleted and substitute therefor the attached title page.

Delete drawing sheets 1-6, and substitute therefor the drawing sheets, consisting of FIGS. 1-6,
As shown on the attached pages.

Signed and Sealed this

Thirtieth Day of March, 2010

A handwritten signature in black ink that reads "David J. Kappos". The signature is written in a cursive style with a large, stylized 'D' and 'K'.

David J. Kappos
Director of the United States Patent and Trademark Office

(12) **United States Design Patent** (10) **Patent No.:** **US D519,207 S**
Raje et al. (45) **Date of Patent:** **** Apr. 18, 2006**

(54) **FOREHEAD SUPPORT AND PORTION OF JOINING MEMBER**
 (75) **Inventors:** Millind C. Raje, Wentworthville (AU); Aaron Samuel Davidson, Newport (AU); Jim Saada, Kellyville (AU); Richard Sokolov, Earlwood (AU)
 (73) **Assignee:** ResMed Limited, North Ryde (AU)
 (**) **Term:** 14 Years
 (21) **Appl. No.:** 29/207,264
 (22) **Filed:** Jun. 10, 2004

D468,823 S 1/2003 Smart
 6,532,961 B1 3/2003 Gunaratnam et al.
 6,561,190 B1 5/2003 Kwok
 6,581,602 B1 6/2003 Kwok et al.
 D476,732 S 7/2003 Smart
 D484,237 S 12/2003 Lang et al.
 D486,226 S 2/2004 Guney et al.
 D492,992 S 7/2004 Guney et al.
 D493,885 S 8/2004 Raje et al.
 D502,260 S 2/2005 Lang et al.
 2002/0023649 A1 2/2002 Gunaratnam et al.
 2002/0096176 A1 7/2002 Gunaratnam et al.
 2003/0062048 A1 4/2003 Gradon et al.
 2003/0089373 A1 5/2003 Gradon et al.
 2003/0164170 A1 9/2003 Drew et al.

Related U.S. Application Data

(63) Continuation of application No. 29/181,057, filed on May 5, 2003, now Pat. No. Des. 493,885.
 (51) **LOC (8) Cl.** 29-02
 (52) **U.S. Cl.** D24/110.1; D24/110.4; D24/110.5
 (58) **Field of Classification Search** D24/110.1, D24/110.4, 110.5, 164; 128/205.25, 206.27, 128/207.11, 206.26, 207.17, 207.13, 206.21, 128/204.18, 206.12
 See application file for complete search history.

References Cited

U.S. PATENT DOCUMENTS

D322,318 S 12/1991 Sullivan
 5,074,297 A 12/1991 Venegas
 D402,755 S 12/1998 Kwok
 6,044,844 A 4/2000 Kwok et al.
 D428,987 S 8/2000 Kwok
 D430,663 S 9/2000 Smart
 6,112,746 A 9/2000 Kwok et al.
 D439,326 S 3/2001 Hecker et al.
 D443,355 S 6/2001 Gunaratnam et al.
 D457,622 S 5/2002 Kopacko et al.
 D458,365 S 6/2002 Kopacko et al.
 D464,427 S 10/2002 Smart

FOREIGN PATENT DOCUMENTS

WO WO 99/58181 11/1999
 WO WO 01/97892 12/2001

OTHER PUBLICATIONS

Product Brochure, "Spectrum® Reusable Full Face Mask", Respironics (1999), 2 pgs.

Primary Examiner—Ian Simmons

(74) *Attorney, Agent, or Firm*—Nixon & Vanderhye P.C.

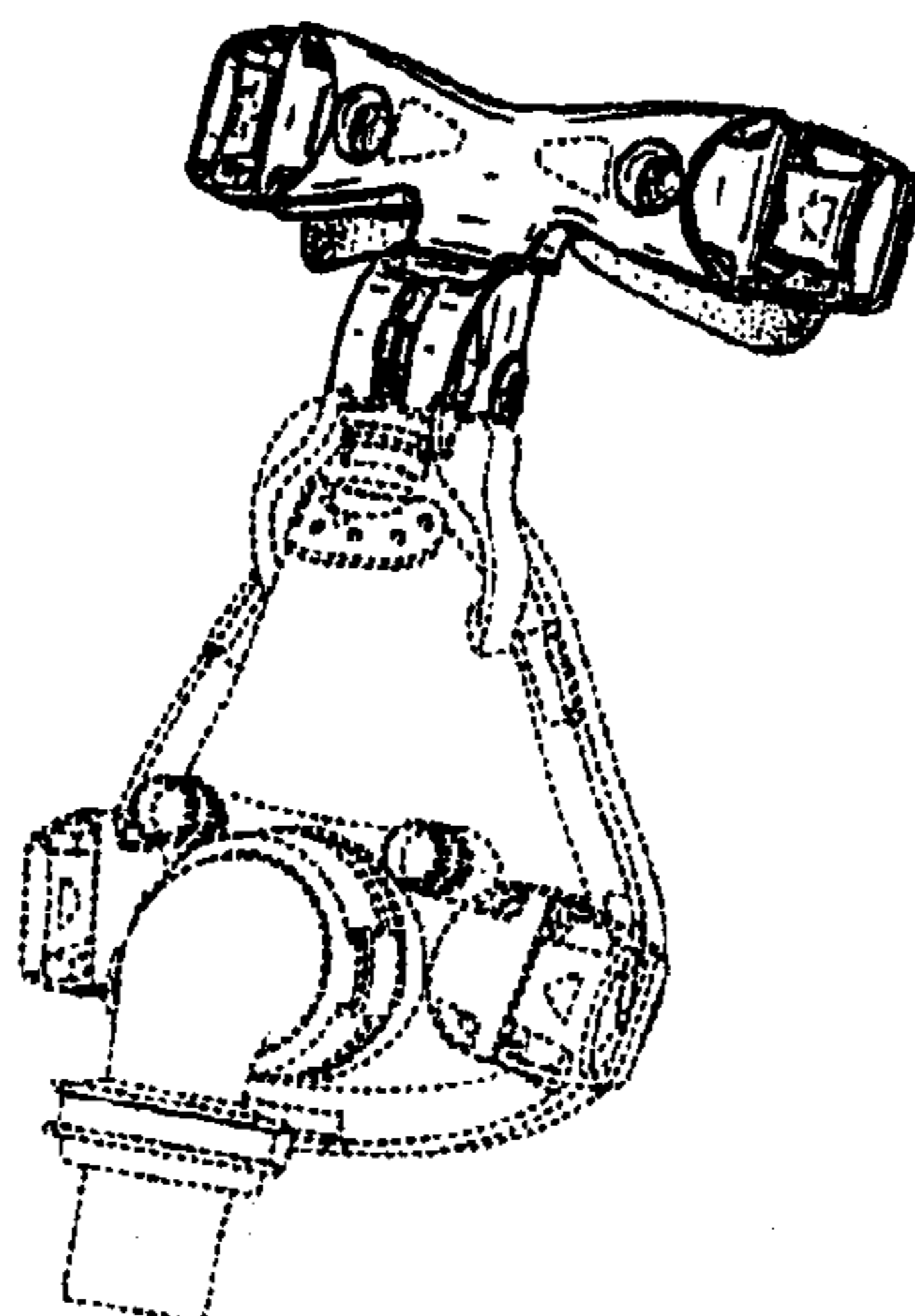
(57) **CLAIM**

The ornamental design for a forehead support and portion of joining member, as shown and described.

DESCRIPTION

FIG. 1 is a front perspective view of a forehead support and portion of joining member showing our new design. The broken line showing is for illustrative purposes only and forms no part of the claimed design;
 FIG. 2 is a front view thereof;
 FIG. 3 rear view thereof;
 FIG. 4 is a right side view thereof, with the left side view being a mirror image thereof;
 FIG. 5 is a bottom view thereof; and,
 FIG. 6 is a top view thereof.

1 Claim, 6 Drawing Sheets



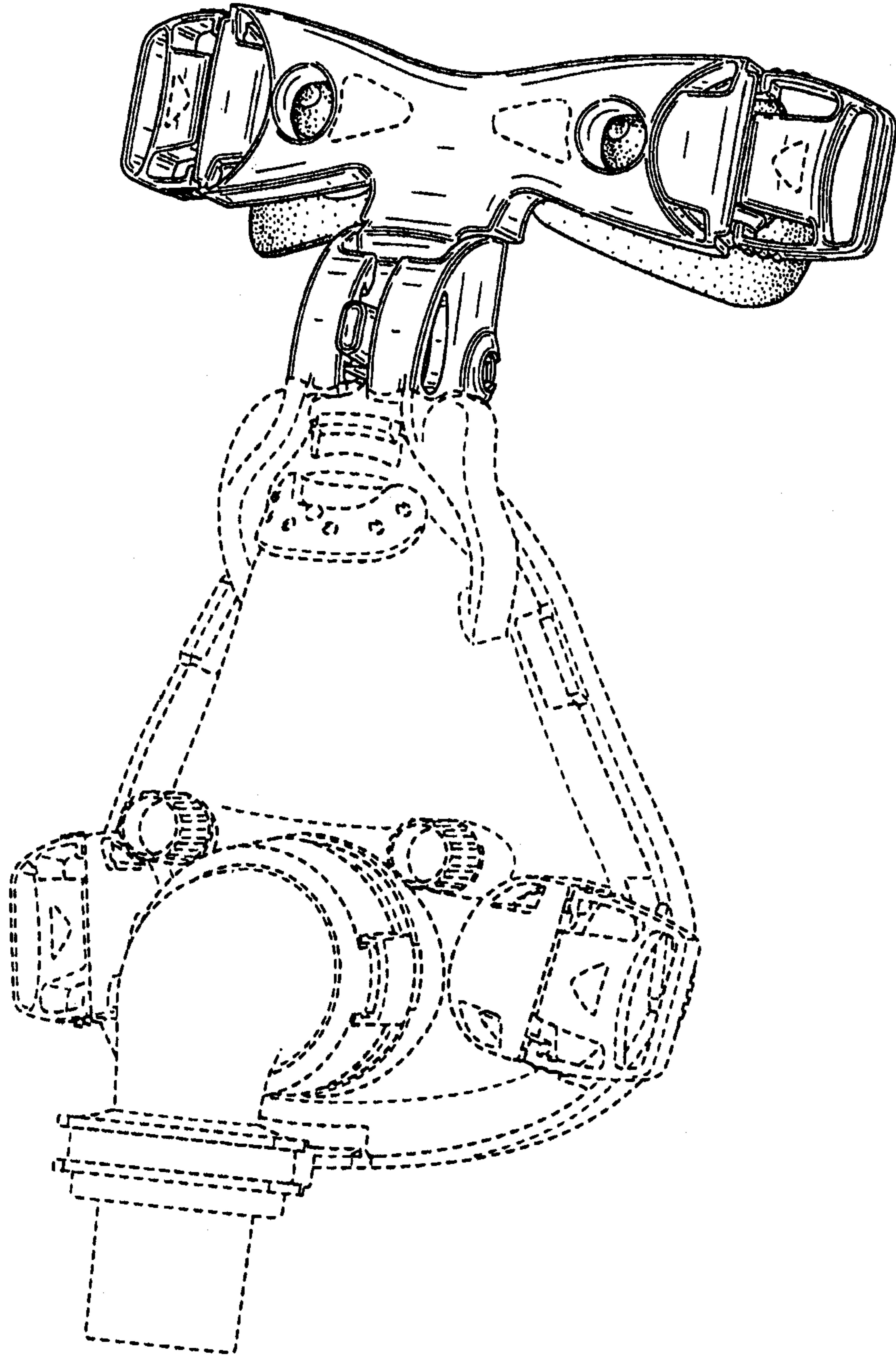


FIG. 1

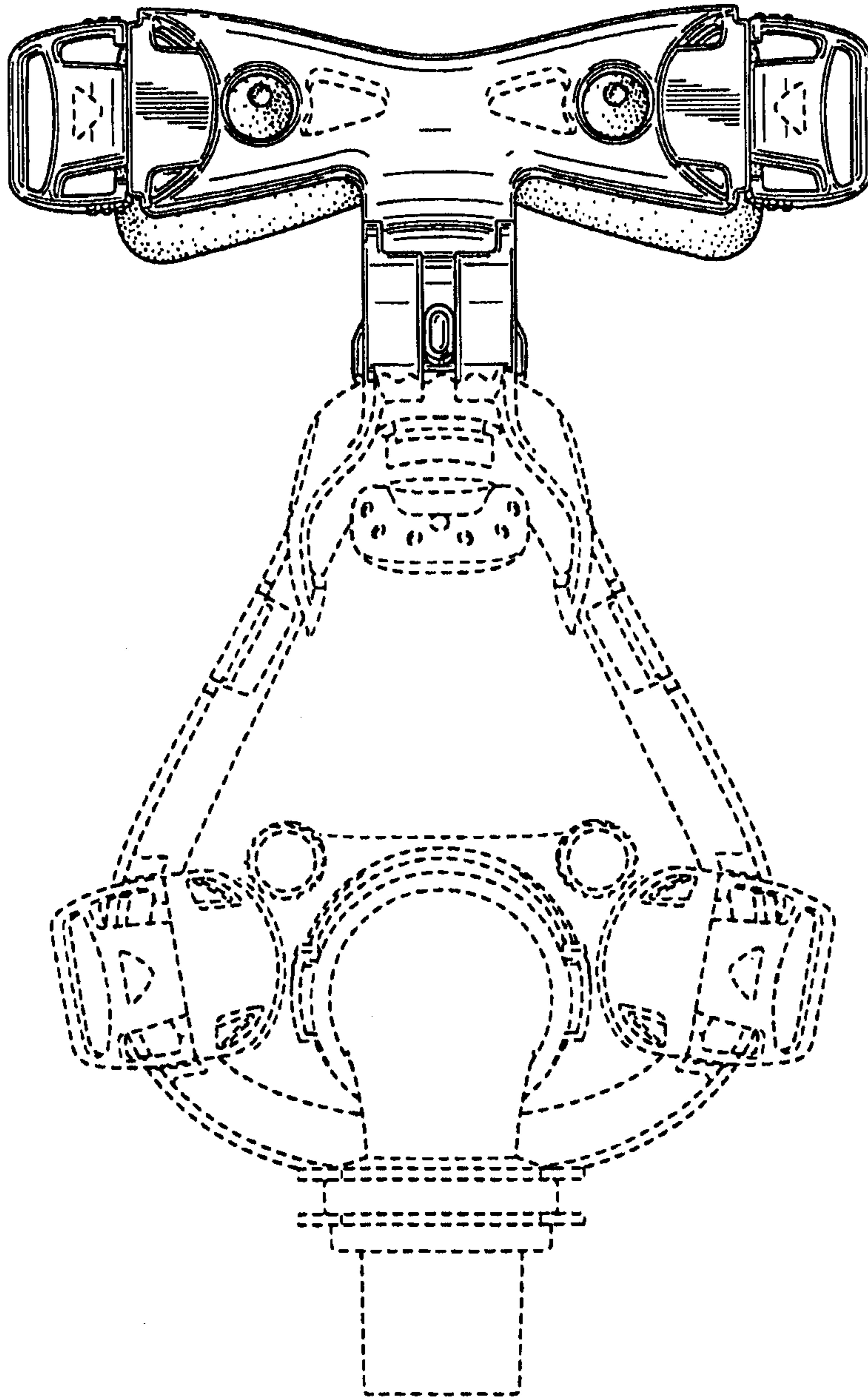


FIG. 2

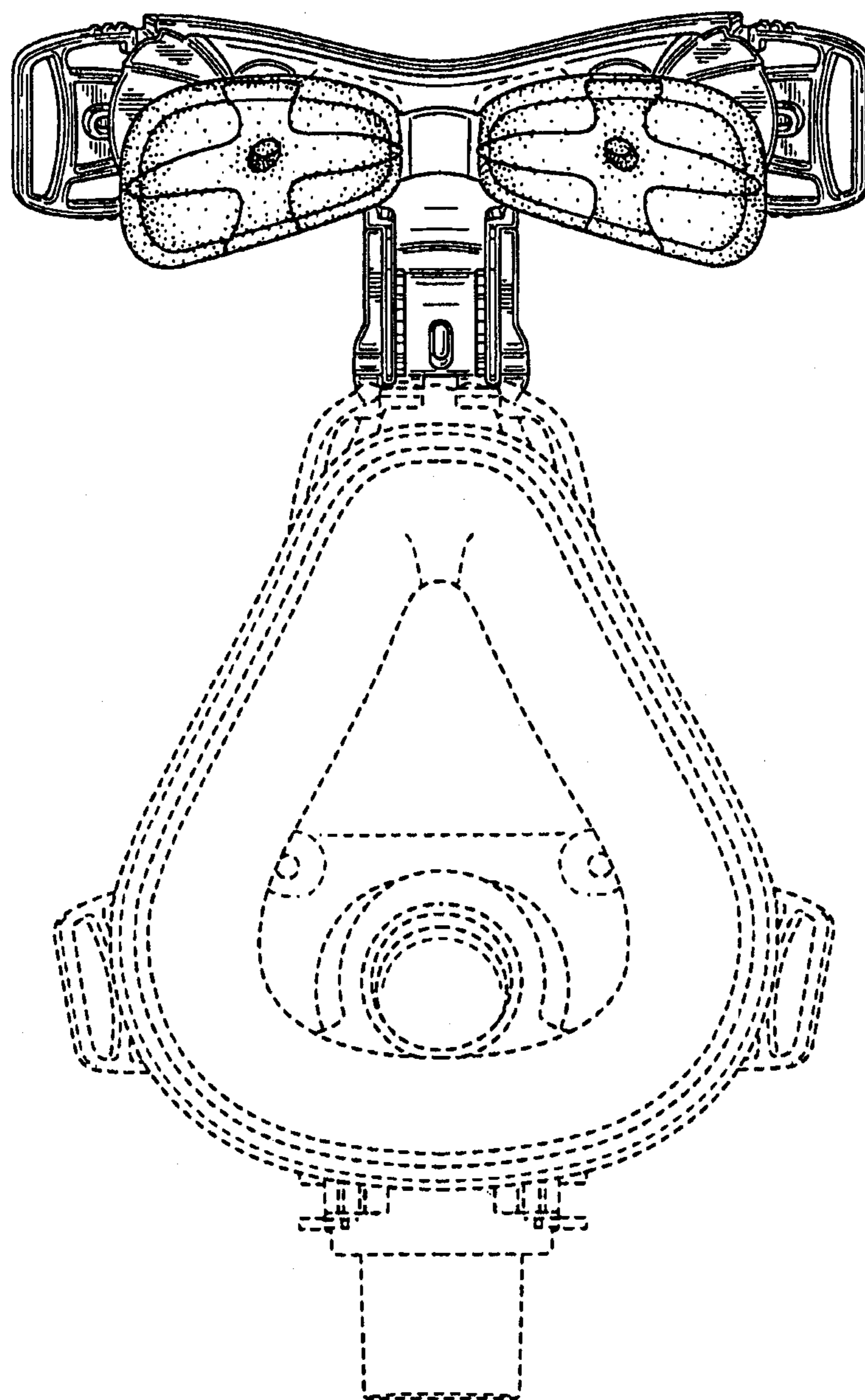


FIG. 3

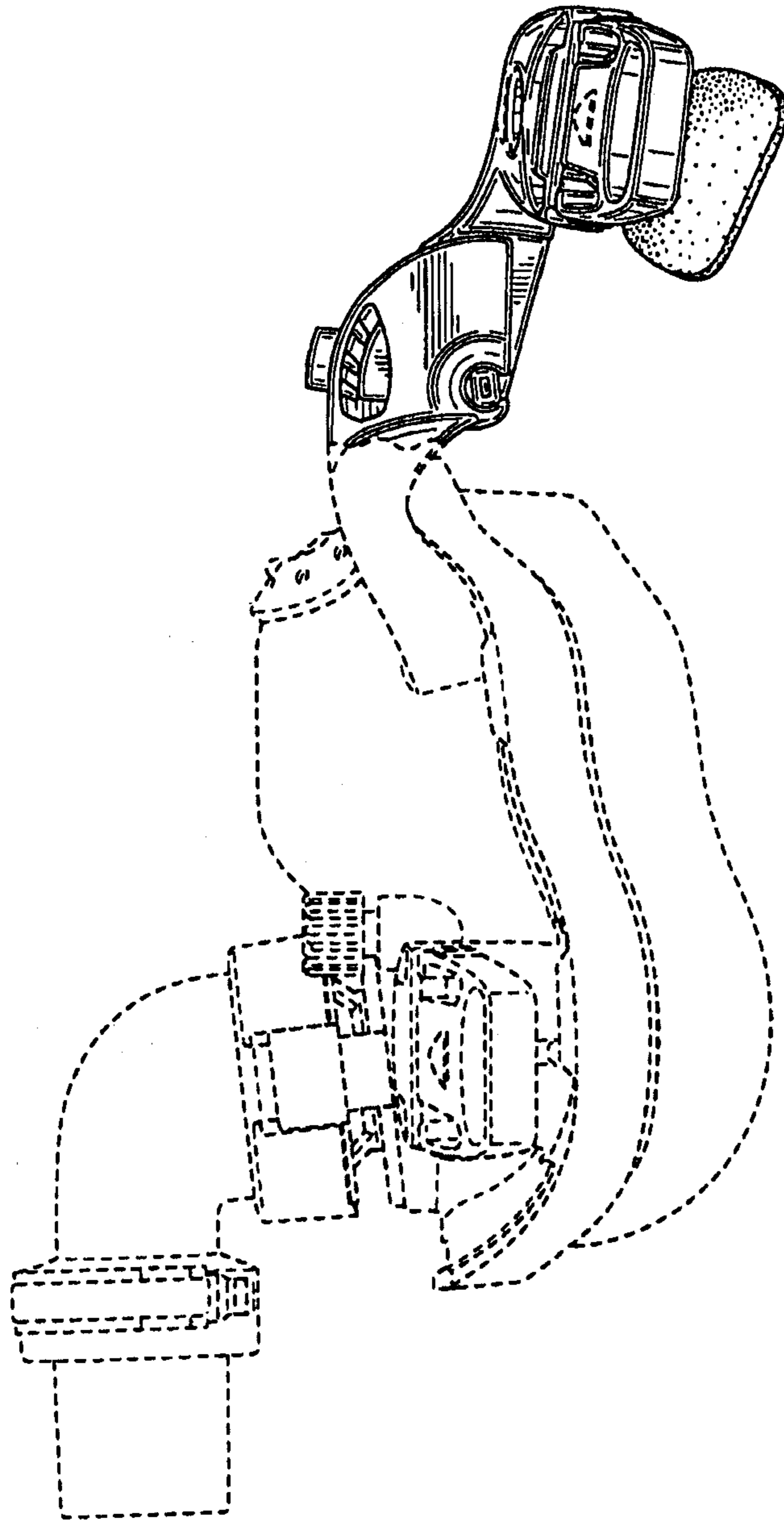


FIG. 4

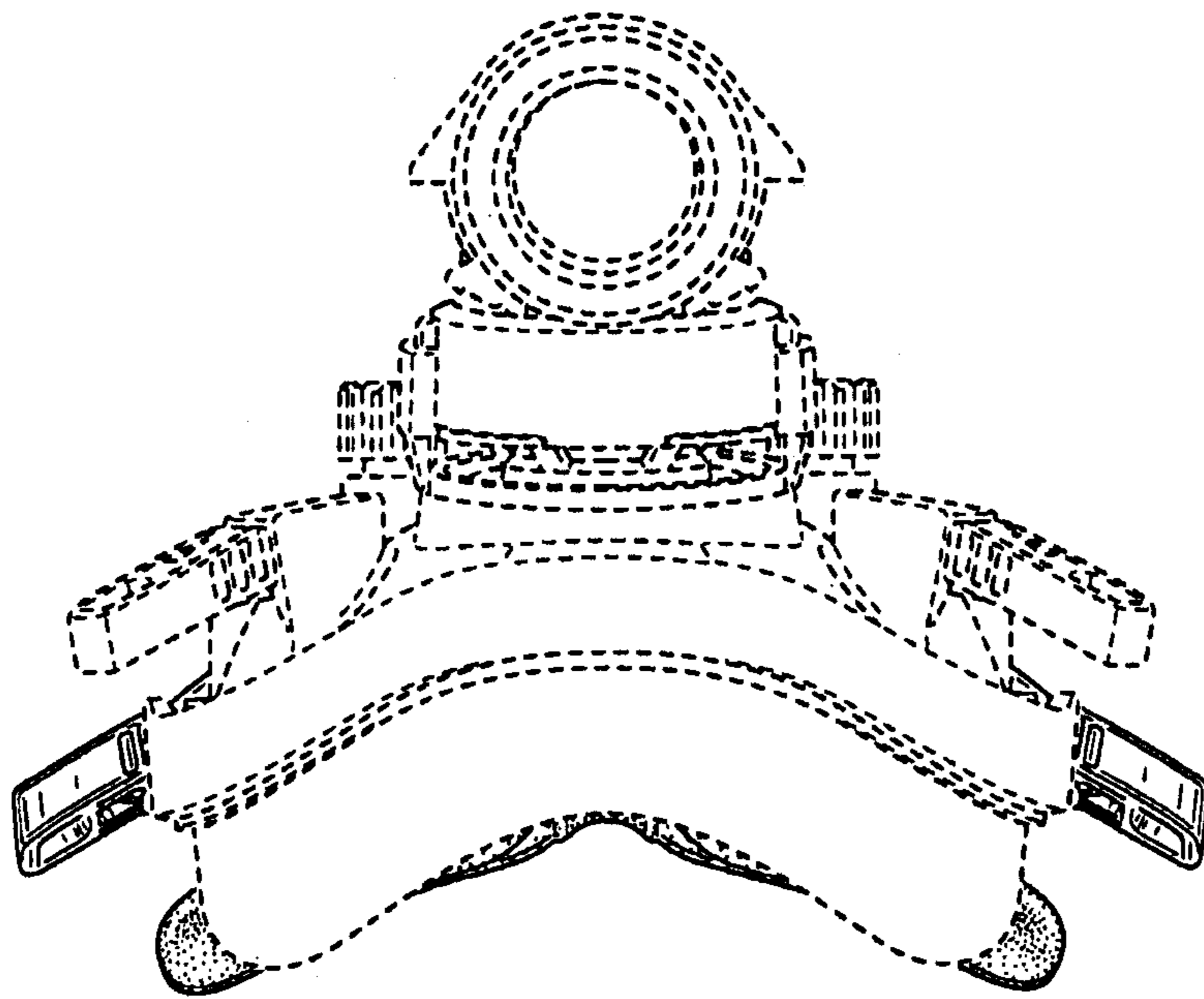


FIG. 5

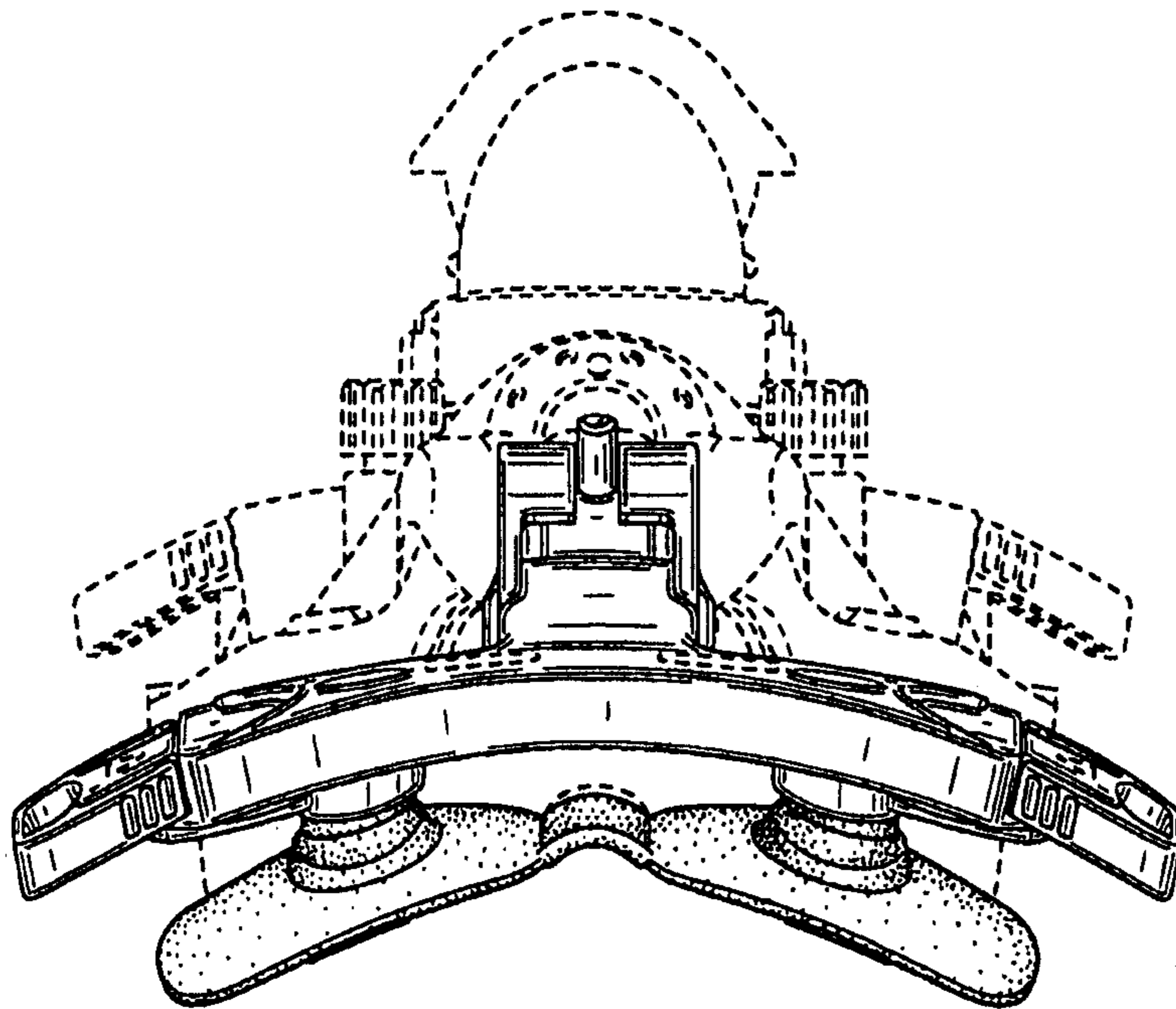


FIG. 6