



US00D519206S

(12) **United States Design Patent**  
**Jones et al.**

(10) **Patent No.:** **US D519,206 S**

(45) **Date of Patent:** **\*\* Apr. 18, 2006**

(54) **NASAL MASK**

(75) Inventors: **Michael Andrew Jones**, Dundas (AU);  
**Amal Shirley Amarasinghe**, Beecroft  
(AU); **Timothy Tsun-Fai Fu**,  
Carlingford (AU); **Perry David**  
**Lithgow**, Glenwood (AU); **Jim Saada**,  
Kellyville (AU); **Fiachra Marcus**  
**Sweeney**, North Bondi (AU)

(73) Assignee: **ResMed Limited**, North Ryde (AU)

(\*\*) Term: **14 Years**

(21) Appl. No.: **29/202,128**

(22) Filed: **Mar. 26, 2004**

(51) **LOC (8) Cl.** ..... **29-02**

(52) **U.S. Cl.** ..... **D24/110.1; D24/110.4**

(58) **Field of Classification Search** ..... **D24/110.4,**  
**D24/110.1, 110.5, 164; 128/207.13, 204.12,**  
**128/206.18, 206.28, 206.24**

See application file for complete search history.

(56) **References Cited**

**U.S. PATENT DOCUMENTS**

4,960,121	A	10/1990	Nelson et al.	
D322,318	S	12/1991	Sullivan	
D333,015	S	2/1993	Farmer et al.	
D385,960	S	11/1997	Rudolph	
5,746,201	A	5/1998	Kidd	
D448,473	S	9/2001	Barnett et al.	
D468,823	S	1/2003	Smart	
D485,905	S	1/2004	Moore et al.	
D486,226	S	2/2004	Guney et al.	
D492,992	S	* 7/2004	Guney et al.	..... D24/110.1

D493,885	S	* 8/2004	Raje et al.	..... D24/110.1
D506,827	S	6/2005	Jones et al.	
2003/0089373	A1	5/2003	Gradon et al.	
2005/0155603	A1	* 7/2005	Frerichs et al.	..... 128/206.24

**OTHER PUBLICATIONS**

U.S. Appl. No. 29/180,914, filed May 2, 2003, entitled  
“Nasal Mask”.

\* cited by examiner

*Primary Examiner*—Ian Simmons

(74) *Attorney, Agent, or Firm*—Nixon & Vanderhye P.C.

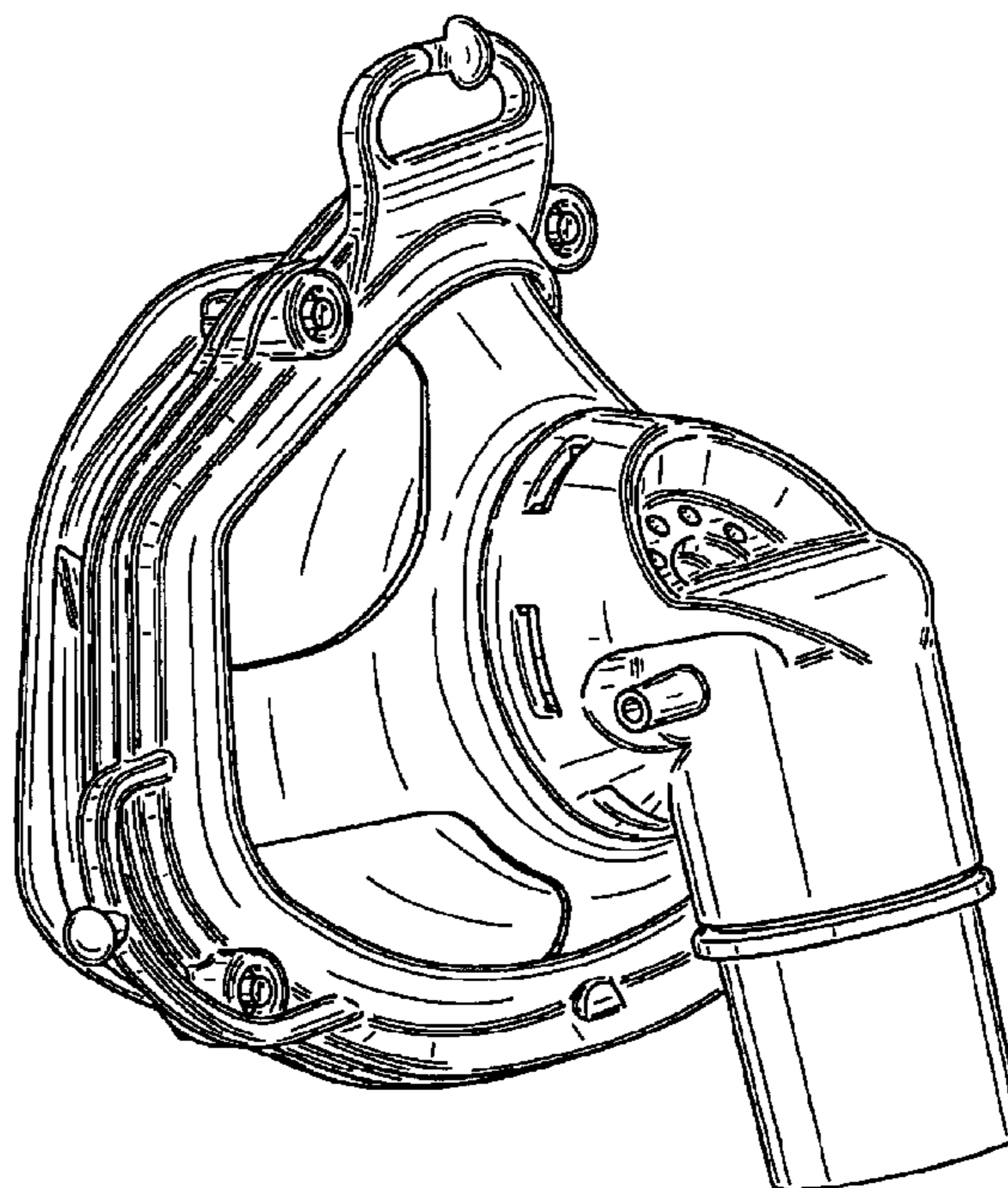
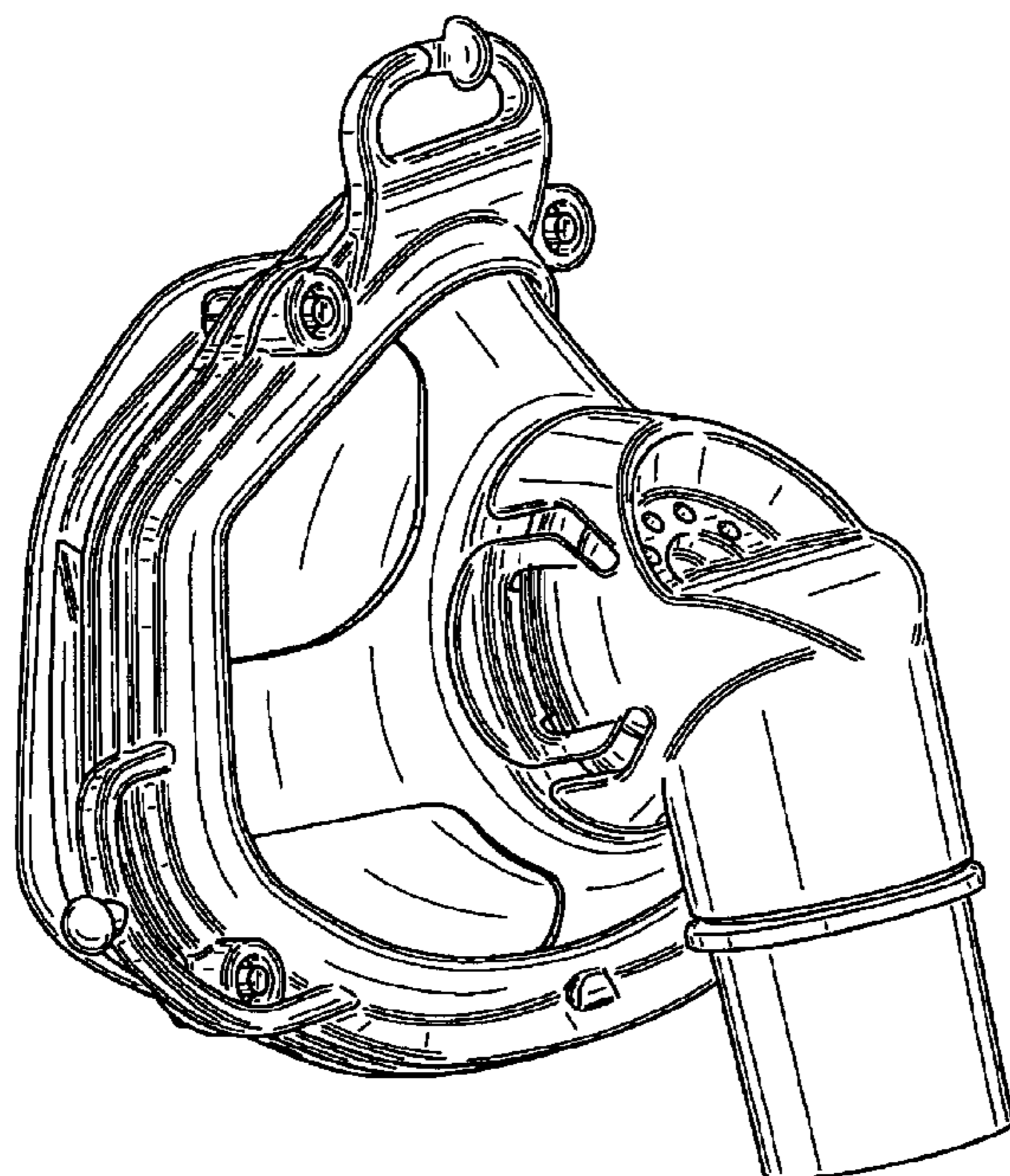
(57) **CLAIM**

The ornamental design for a nasal mask, as shown and  
described.

**DESCRIPTION**

FIG. 1 is a front perspective view of a first embodiment of  
our design;  
FIG. 2 is a front view thereof;  
FIG. 3 is a rear view thereof;  
FIG. 4 is a right side elevational view thereof, the left side  
being a mirror image thereto.  
FIG. 5 is a top view thereof;  
FIG. 6 is a bottom view thereof;  
FIG. 7 is a front perspective view of a second embodiment  
of our design;  
FIG. 8 is a front view thereof;  
FIG. 9 is a rear view thereof;  
FIG. 10 is a right side view thereof;  
FIG. 11 is a left side view thereof;  
FIG. 12 is a top view thereof; and,  
FIG. 13 is a bottom view thereof.

**1 Claim, 11 Drawing Sheets**



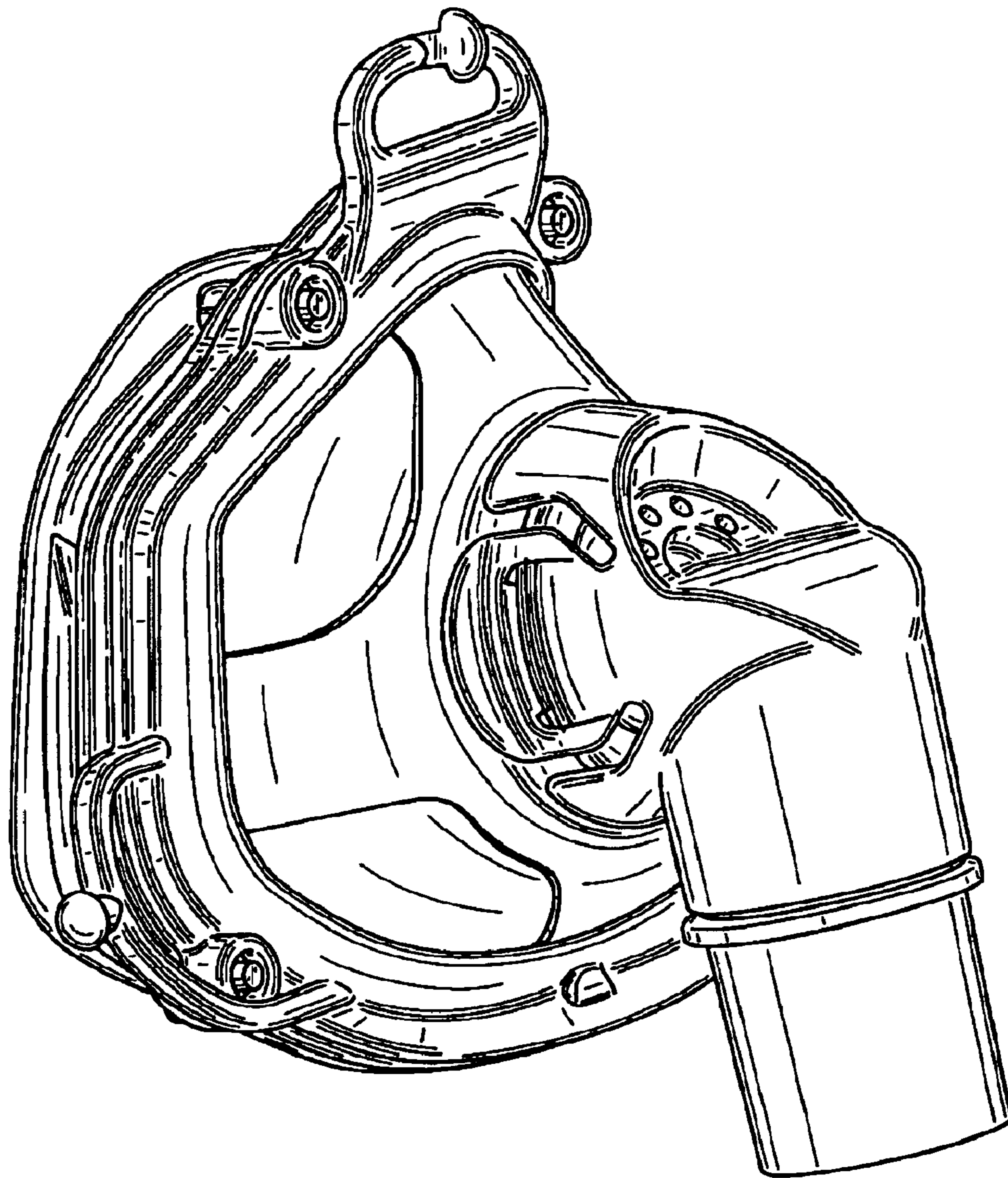


FIG. 1

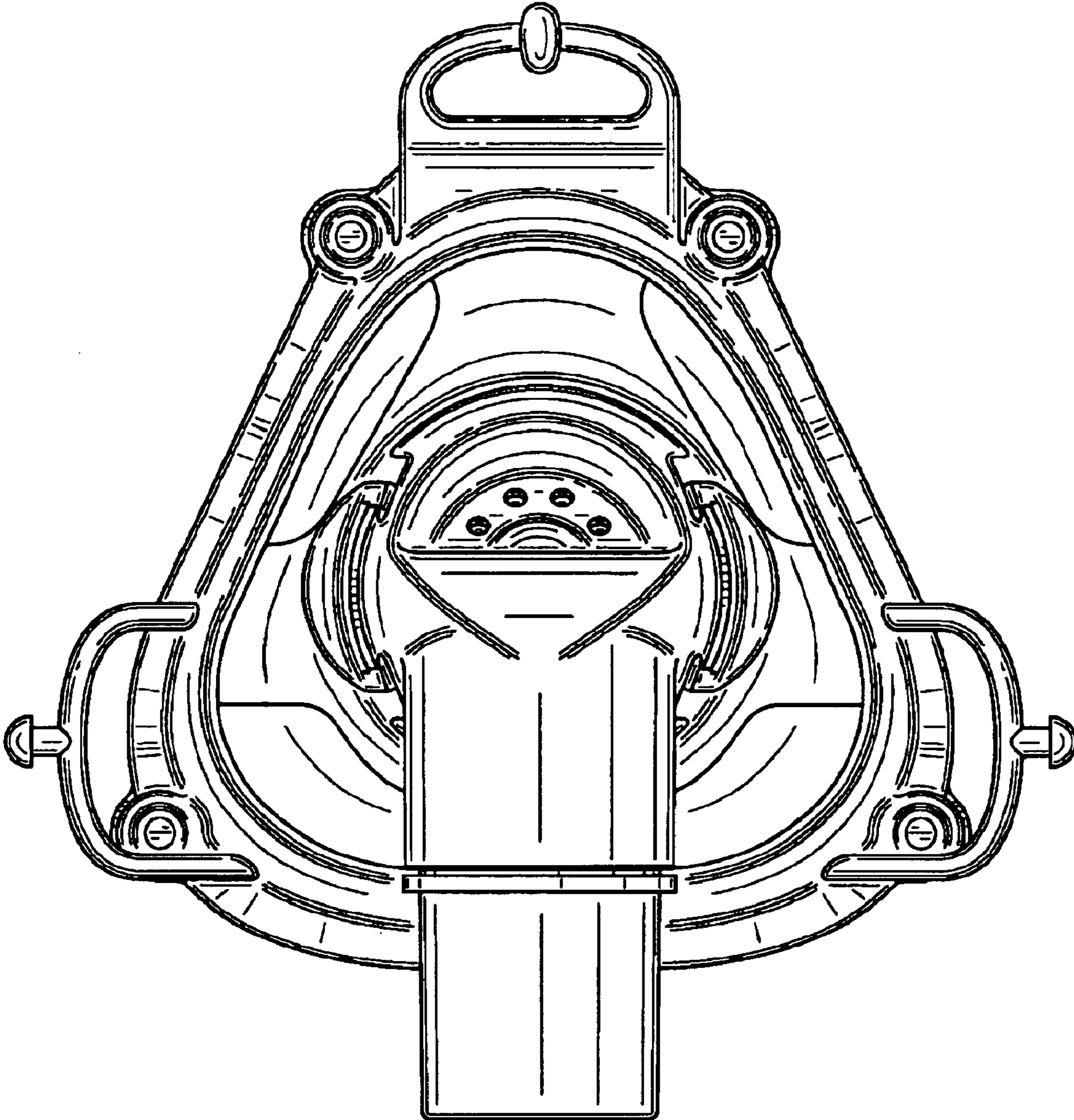


FIG. 2

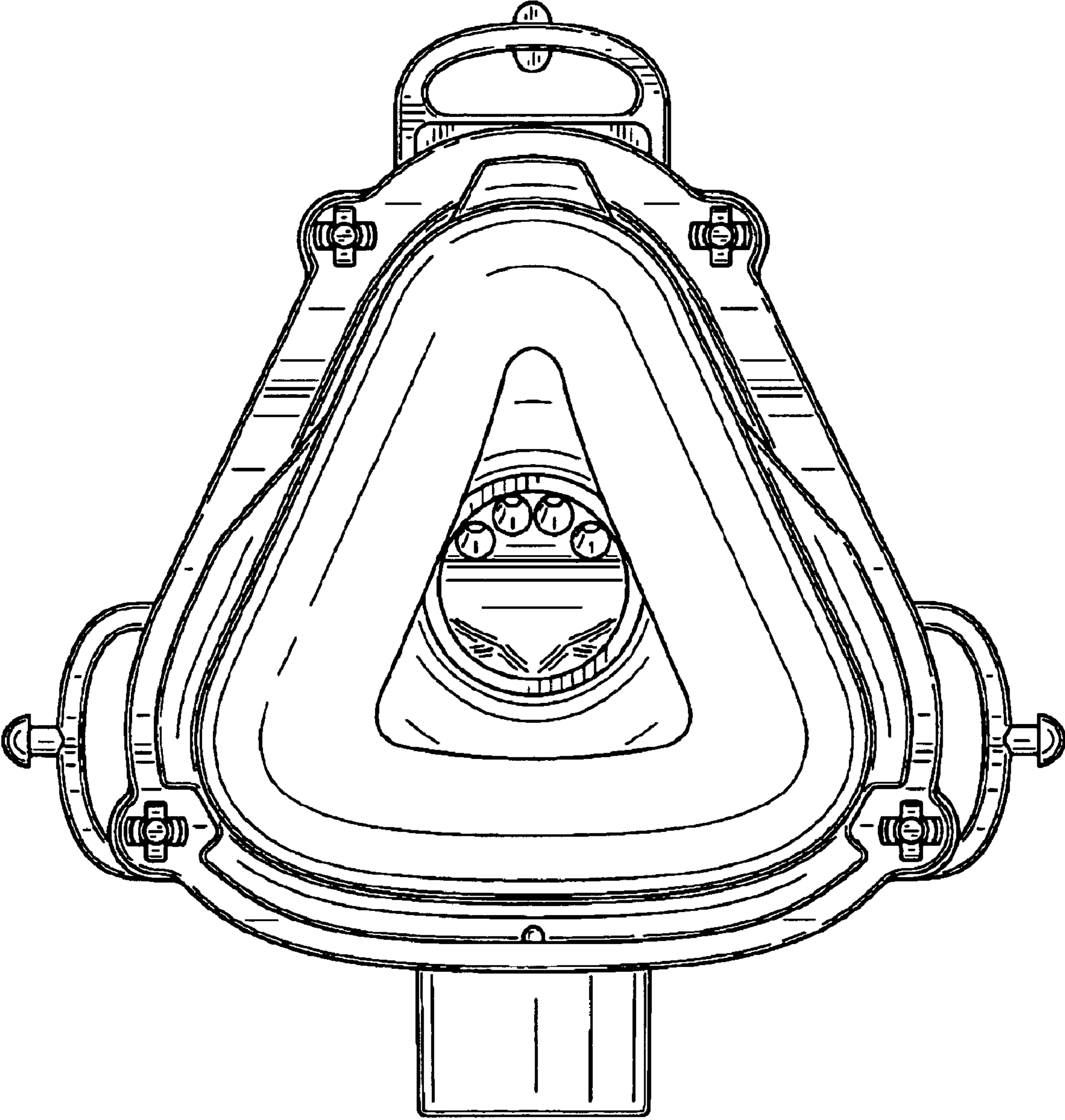


FIG. 3

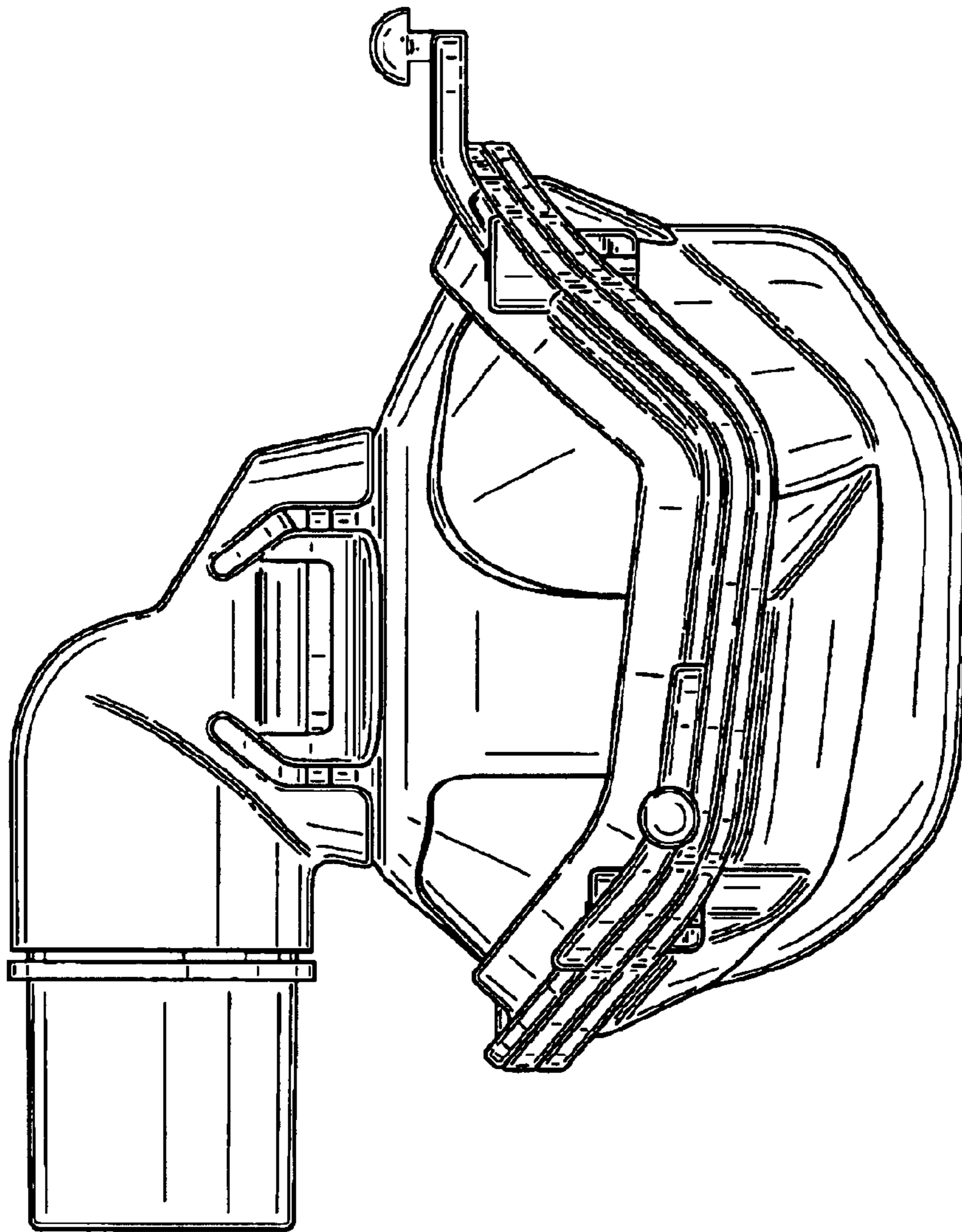


FIG. 4

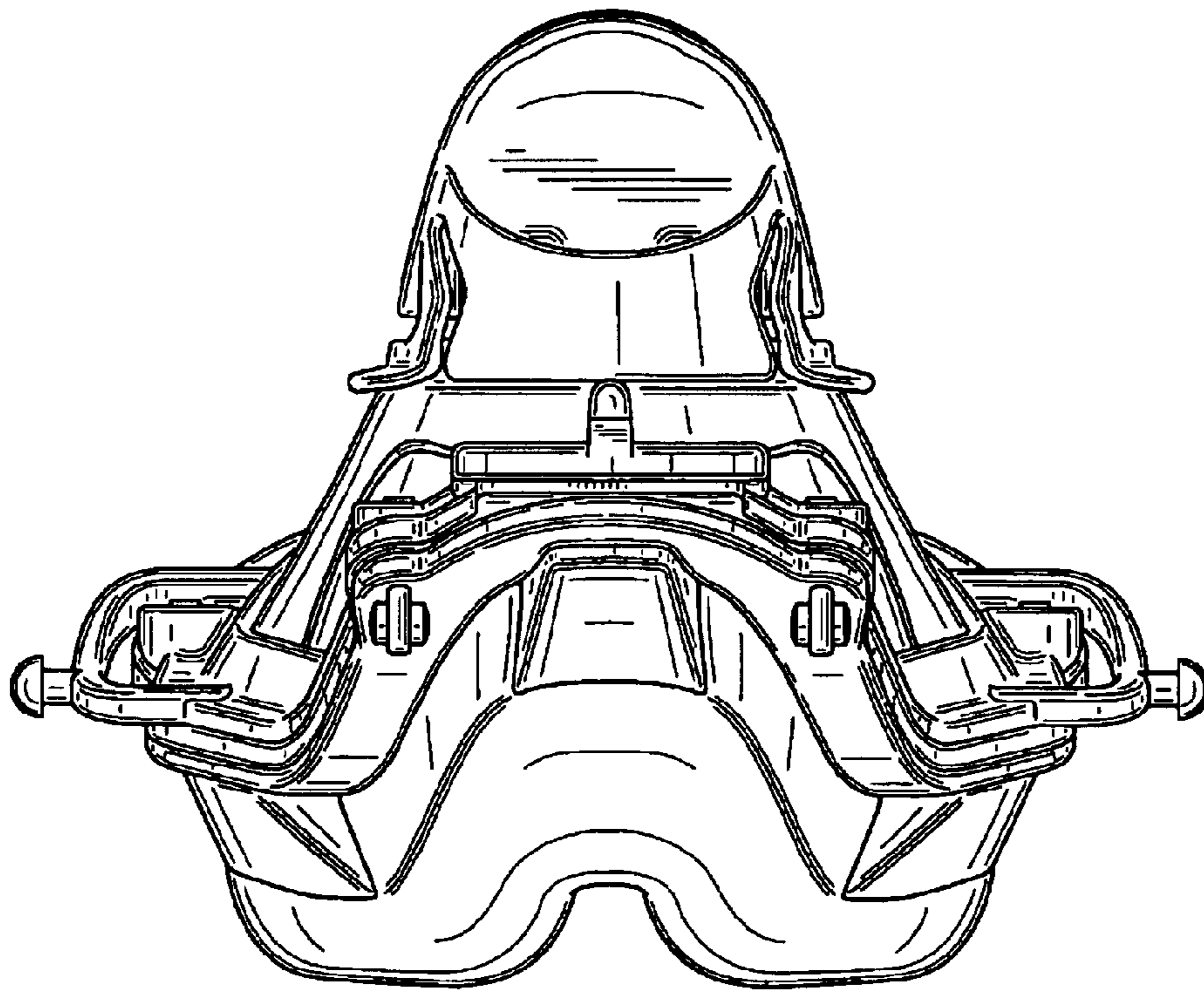


FIG. 5

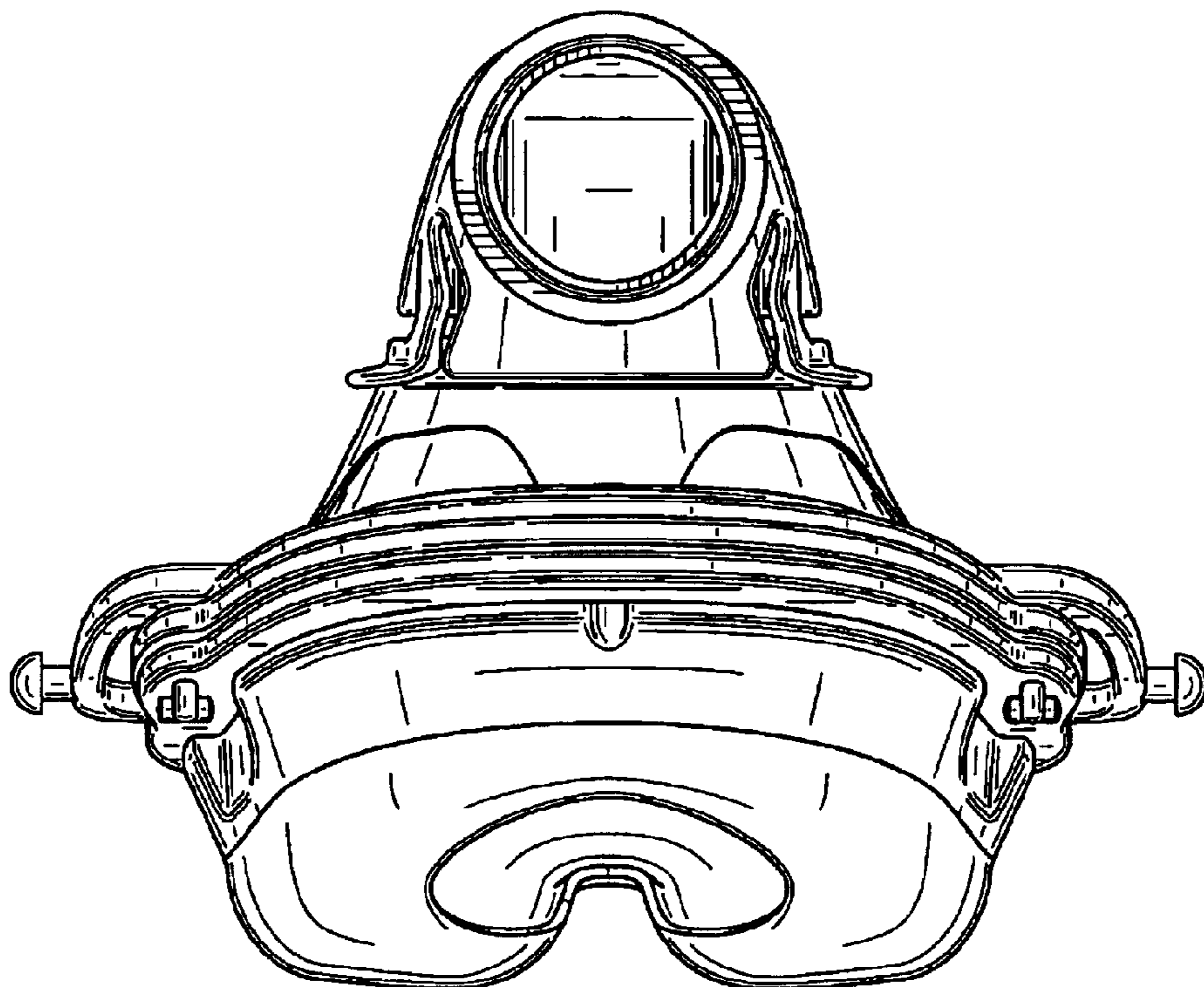


FIG. 6

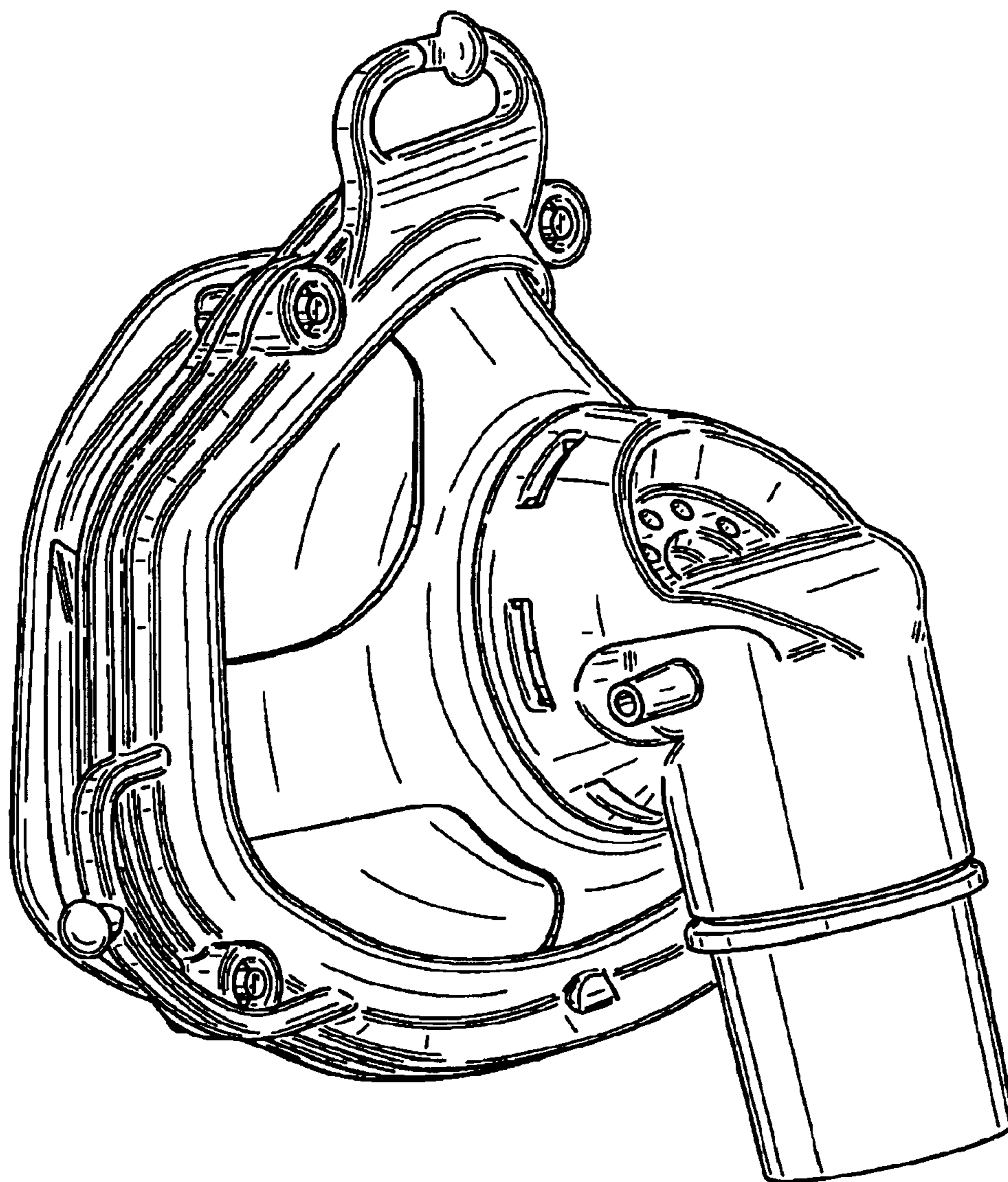


FIG. 7

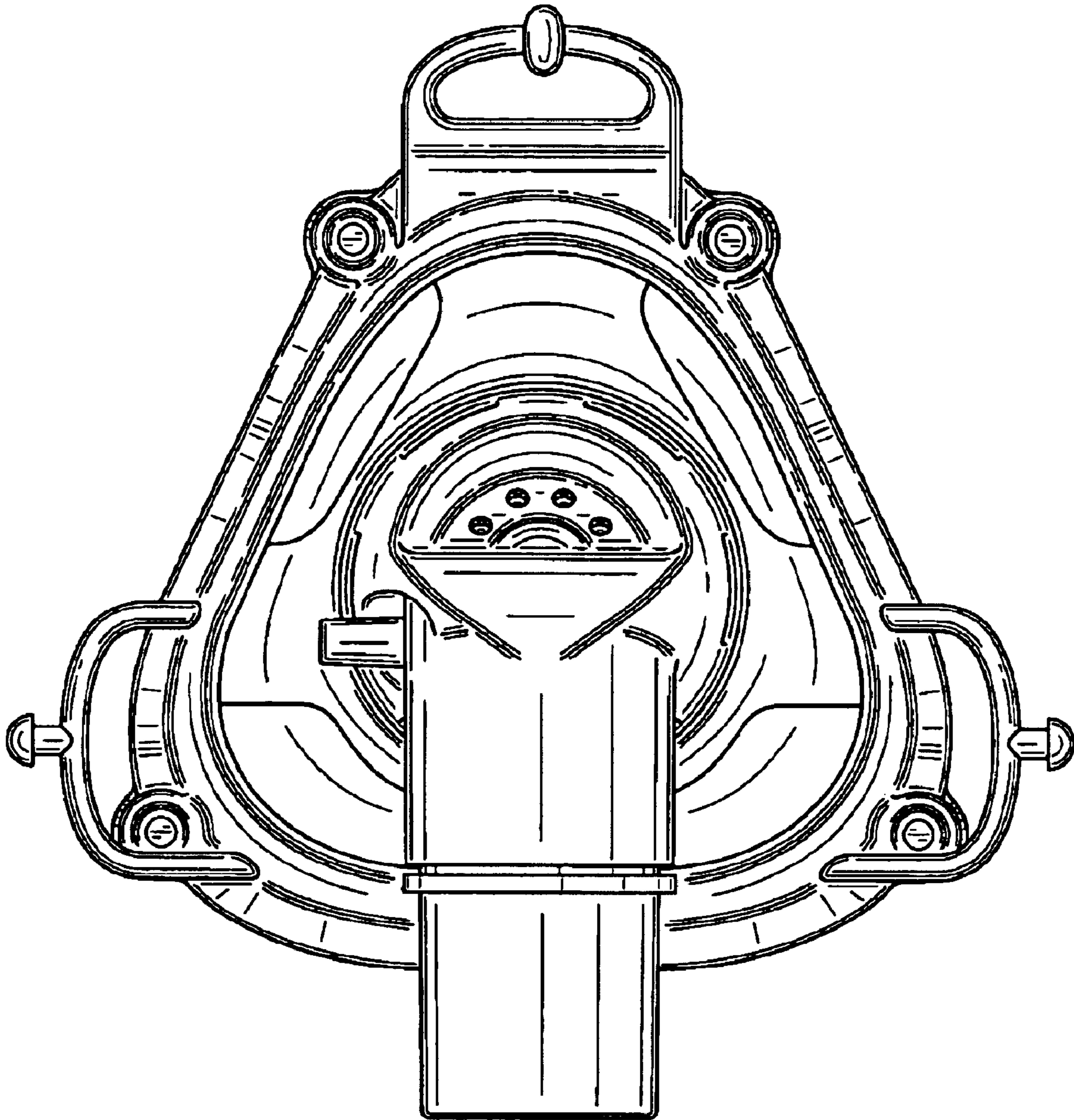


FIG. 8



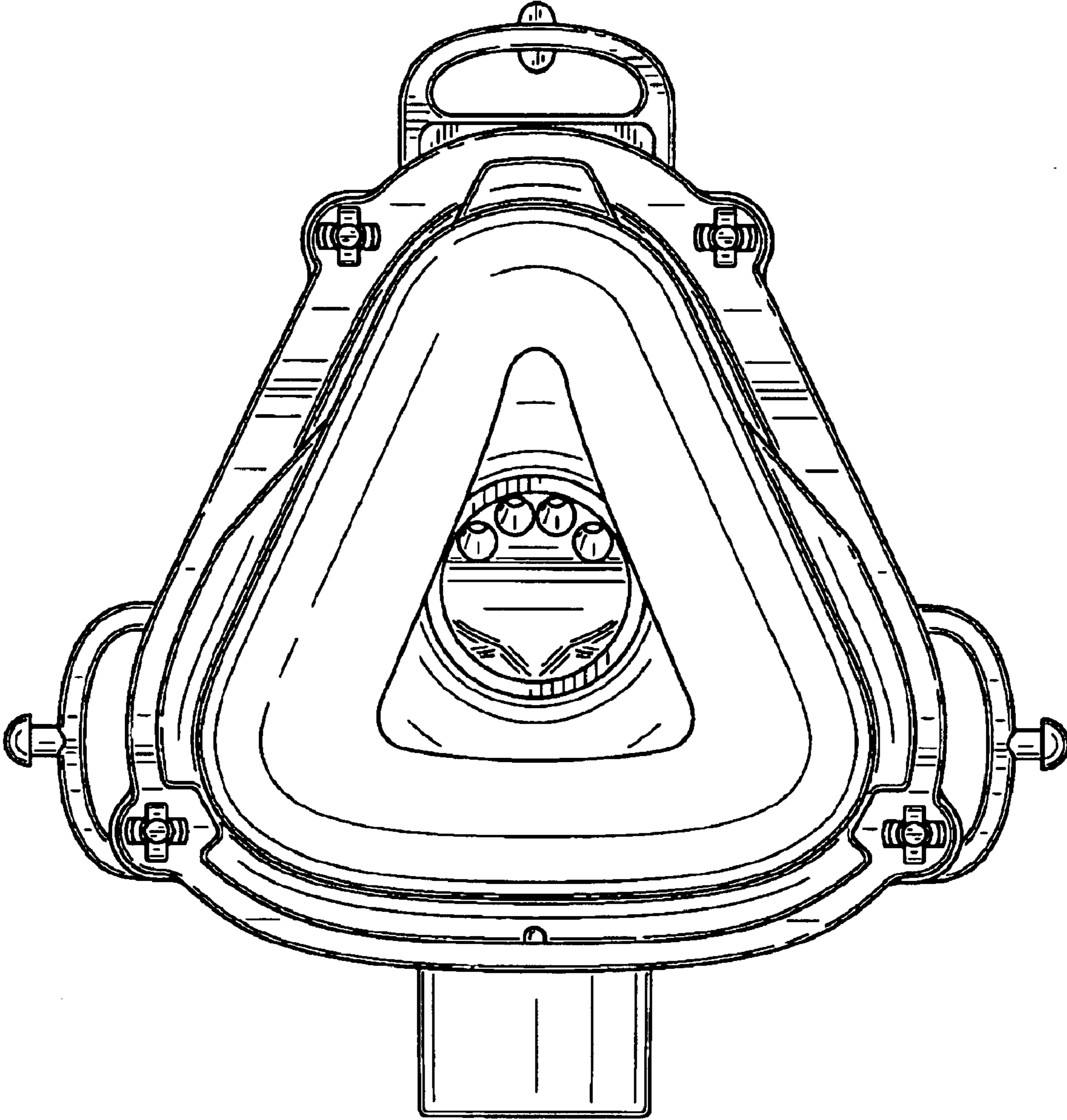


FIG. 9

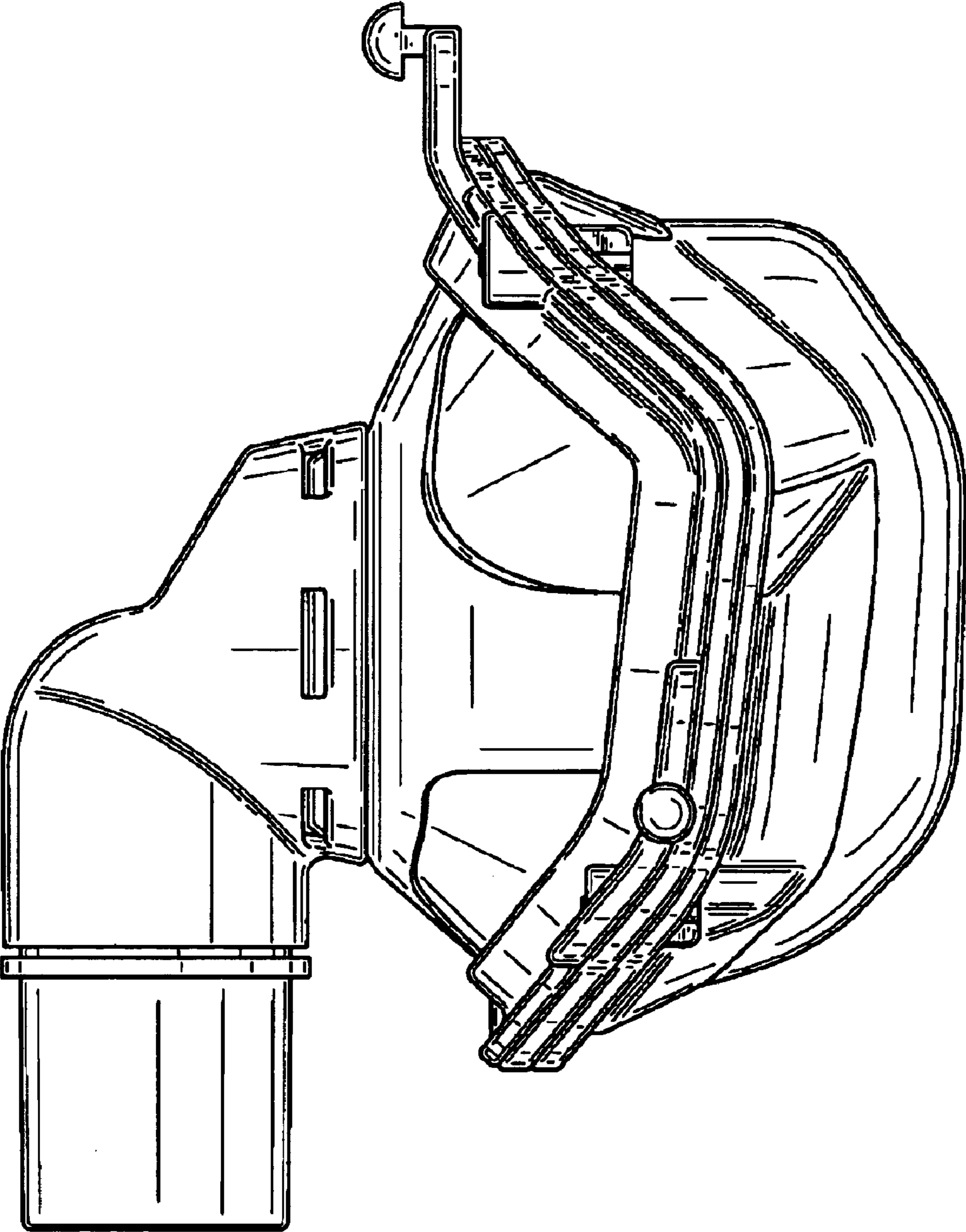


FIG. 10

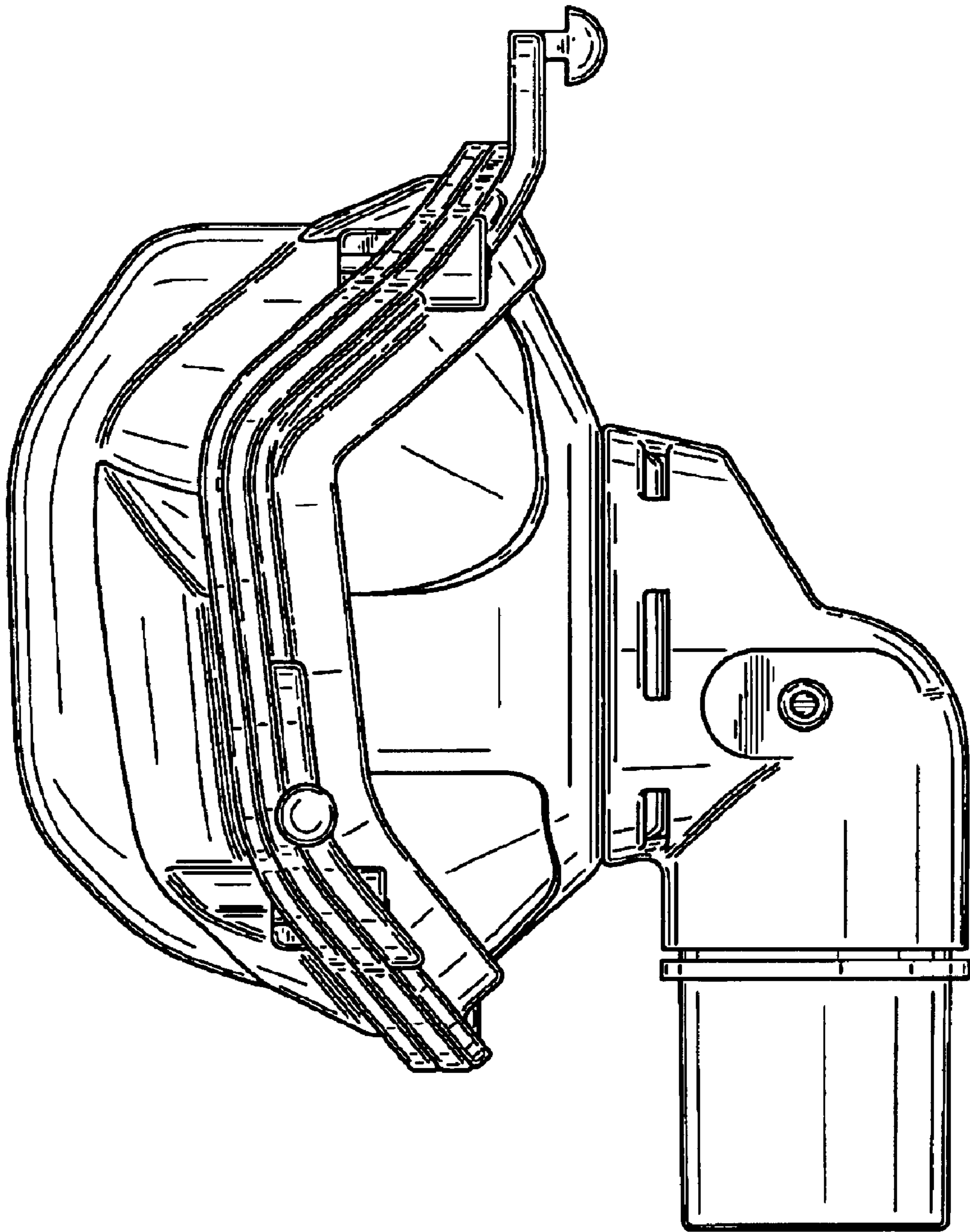


FIG. 11

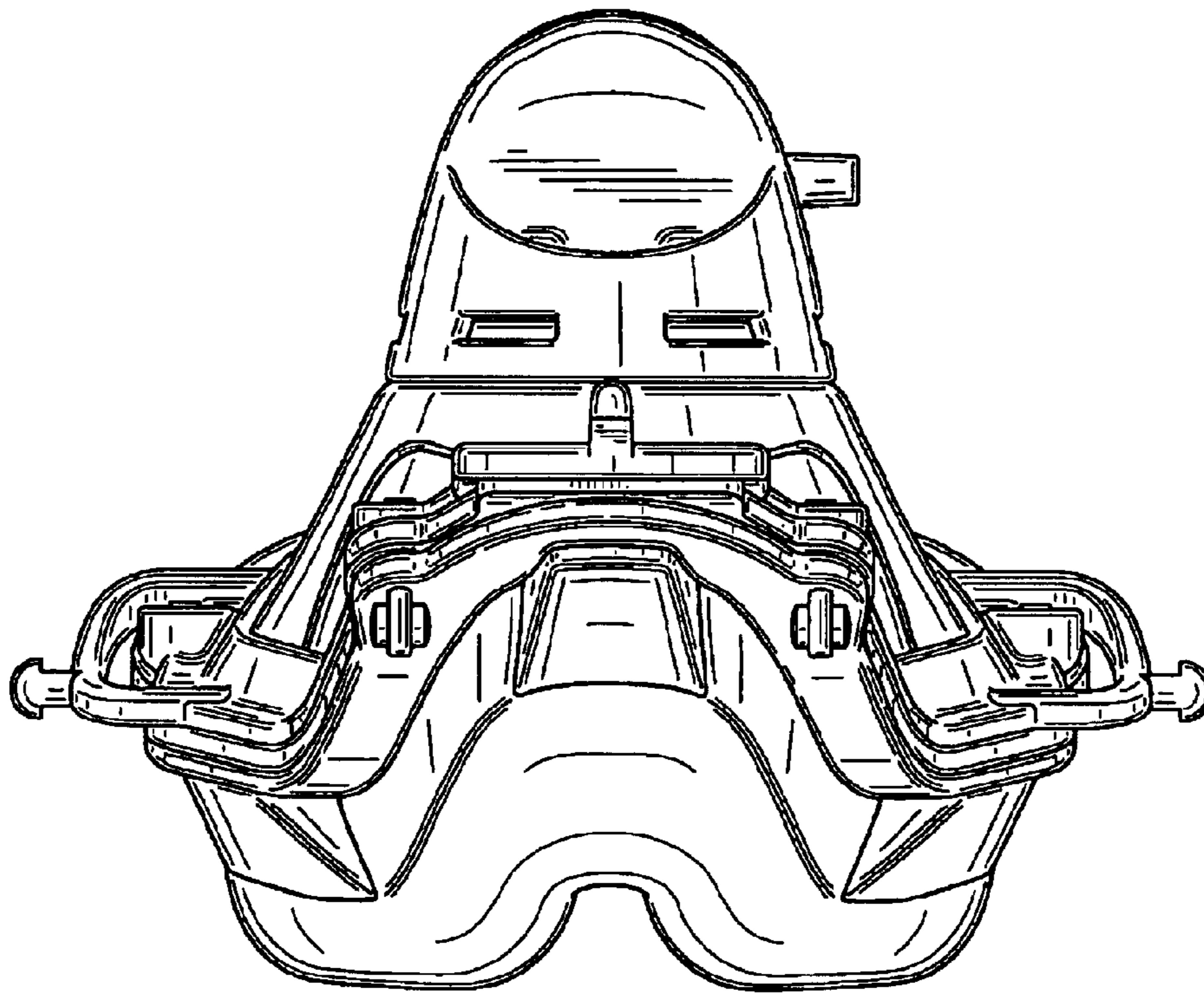


FIG. 12

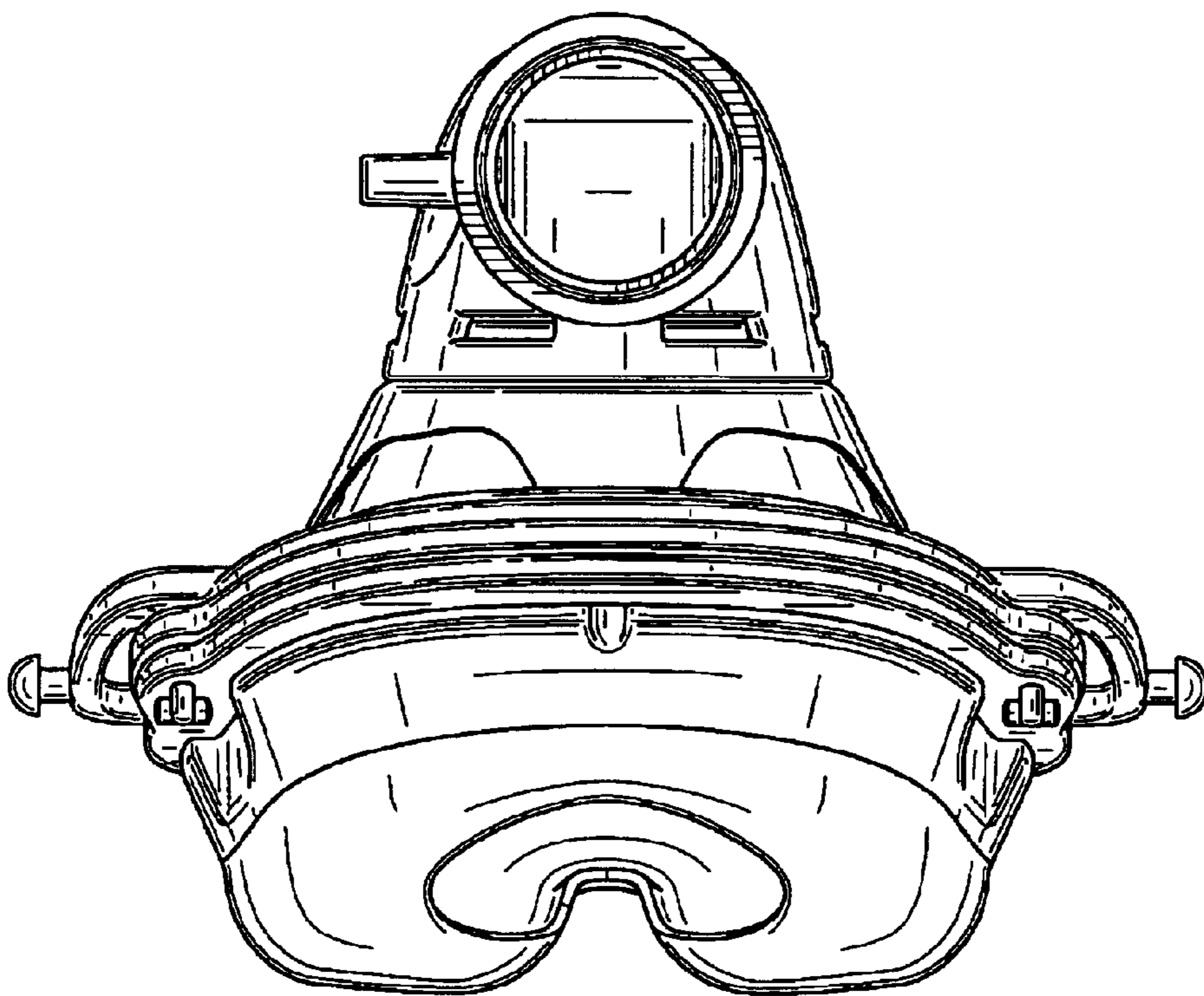


FIG. 13