



US00D519205S

(12) **United States Design Patent**  
**Frampton et al.**

(10) **Patent No.:** **US D519,205 S**  
(45) **Date of Patent:** **\*\* Apr. 18, 2006**

(54) **FAN ASSEMBLY**

(75) Inventors: **Thomas C. Frampton**, Zionsville, IN (US); **Tania N. Frampton**, Zionsville, IN (US)

(73) Assignee: **Fanimation, Inc.**, Zionsville, IN (US)

(\*\*) Term: **14 Years**

(21) Appl. No.: **29/220,858**

(22) Filed: **Jan. 7, 2005**

(51) **LOC (8) Cl.** ..... **23-04**

(52) **U.S. Cl.** ..... **D23/411**

(58) **Field of Classification Search** ..... D23/377,  
D23/379, 385, 411; 416/5  
See application file for complete search history.

(56) **References Cited**

U.S. PATENT DOCUMENTS

- D305,059 S 12/1989 Miranda et al.
- D417,496 S 12/1999 Chang et al.
- D480,463 S \* 10/2003 Gajewski ..... D23/377

\* cited by examiner

*Primary Examiner*—Lisa Lichtenstein

(74) *Attorney, Agent, or Firm*—Maginot Moore & Beck

(57) **CLAIM**

The ornamental design for a fan assembly, as shown and described.

**DESCRIPTION**

FIG. 1 is a bottom perspective view of a fan assembly showing our new design;

FIG. 2 is a top plan view showing the design for the fan assembly of FIG. 1;

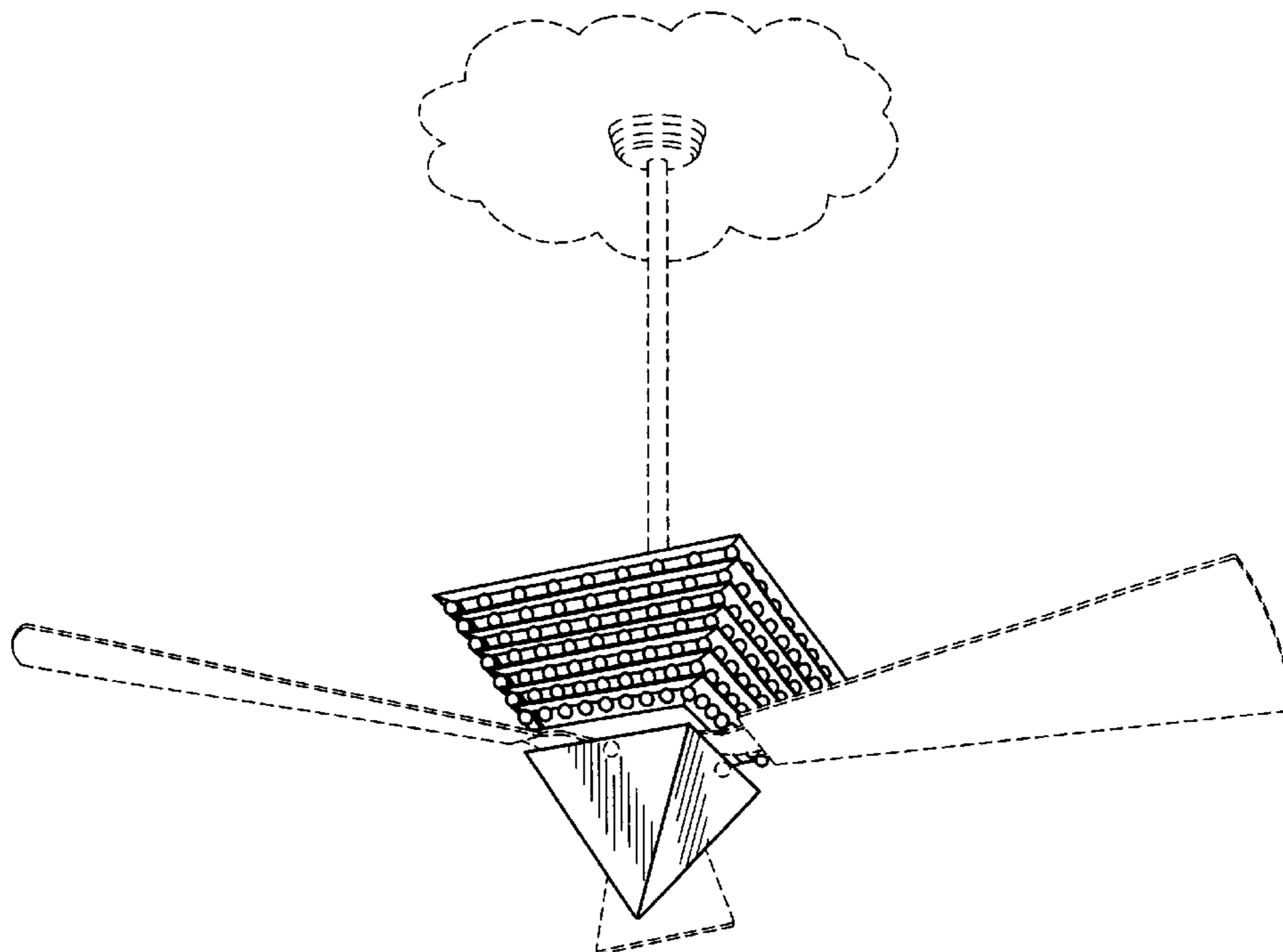
FIG. 3 is a front elevational view showing the design for the fan assembly of FIG. 1 (note the front elevational view of the design of the fan assembly of FIG. 1 is identical in appearance to each of (i) a rear elevational view of the design of the fan assembly of FIG. 1, (ii) a left side elevational view of the design of the fan assembly of FIG. 1, and (iii) a right side elevational view of the design of the fan assembly of FIG. 1);

FIG. 4 is a bottom plan view showing the design for the fan assembly of FIG. 1; and,

FIG. 5 is top perspective view showing the design for the fan assembly of FIG. 1.

In FIGS. 1–5, the broken line showing of various items including (i) the central vertical support member (FIGS. 1–3 and 5), (ii) a portion of the ceiling to which the central vertical support member is attached (FIG. 1), (iii) the features at the top of the motor housing (FIGS. 2 and 5), and (iv) the fan blades and associated mounting apparatus (FIGS. 1–5) is for illustrative purposes only and forms no part of the claimed design.

**1 Claim, 5 Drawing Sheets**



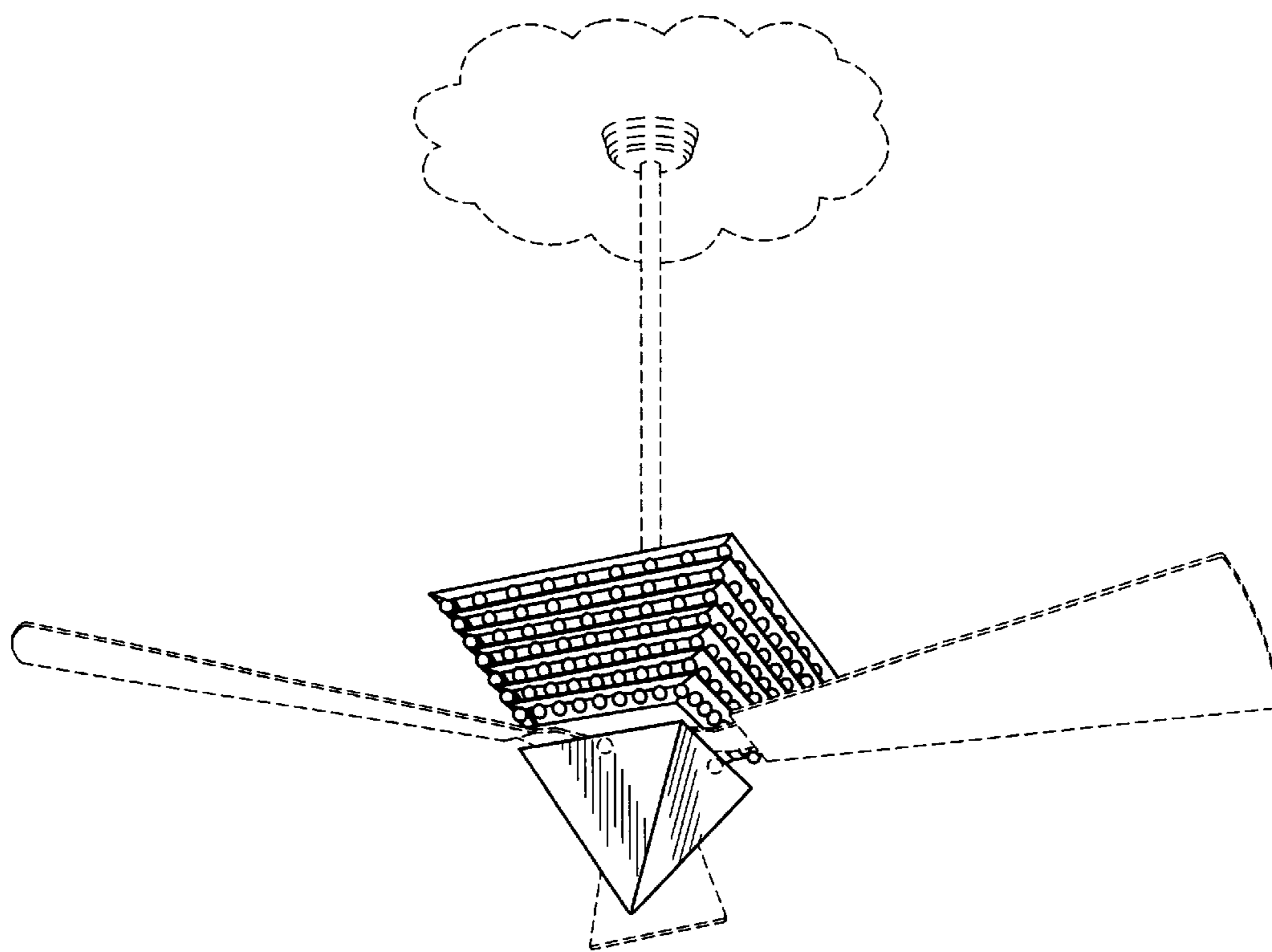


Fig. 1

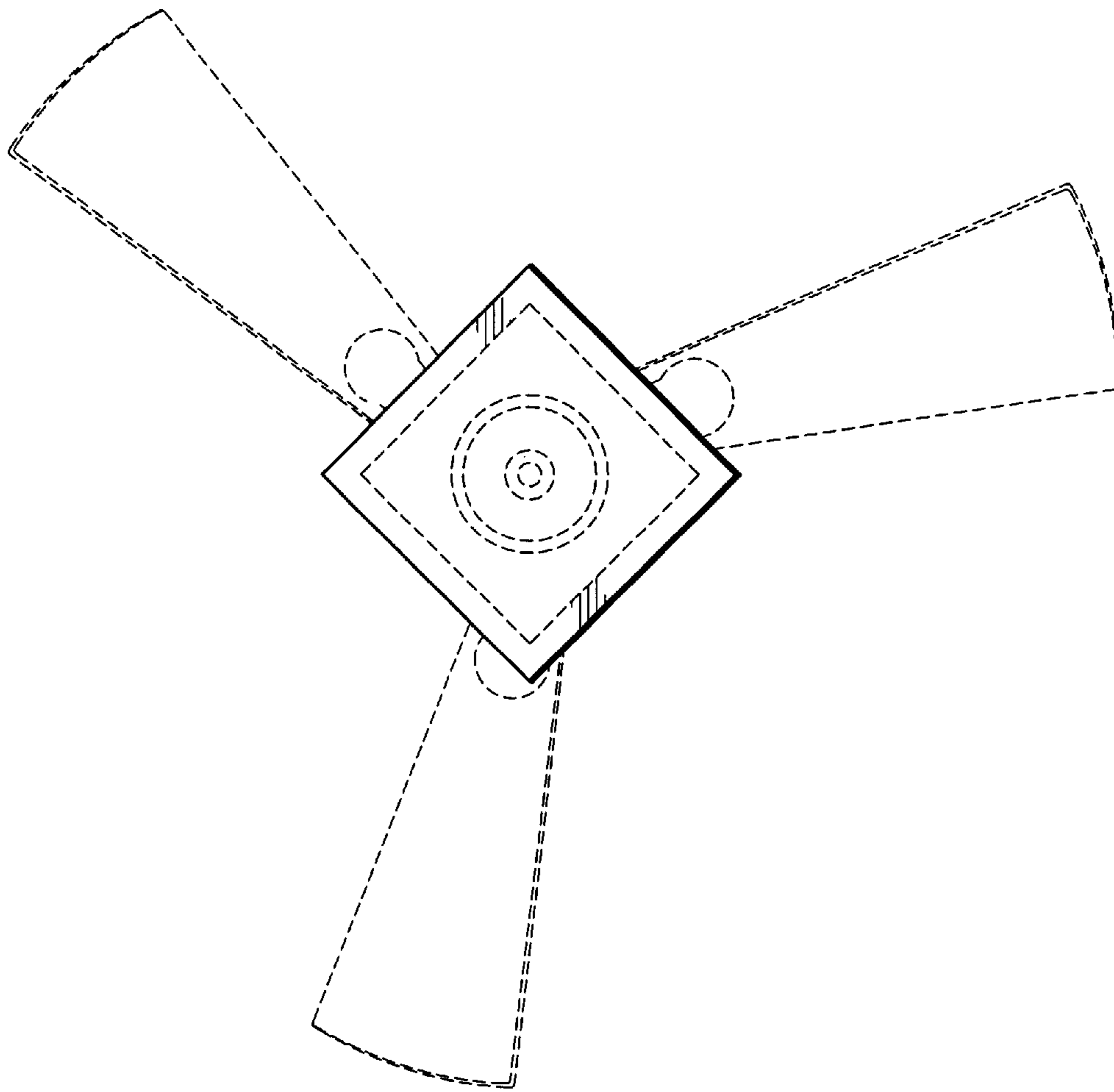


Fig. 2

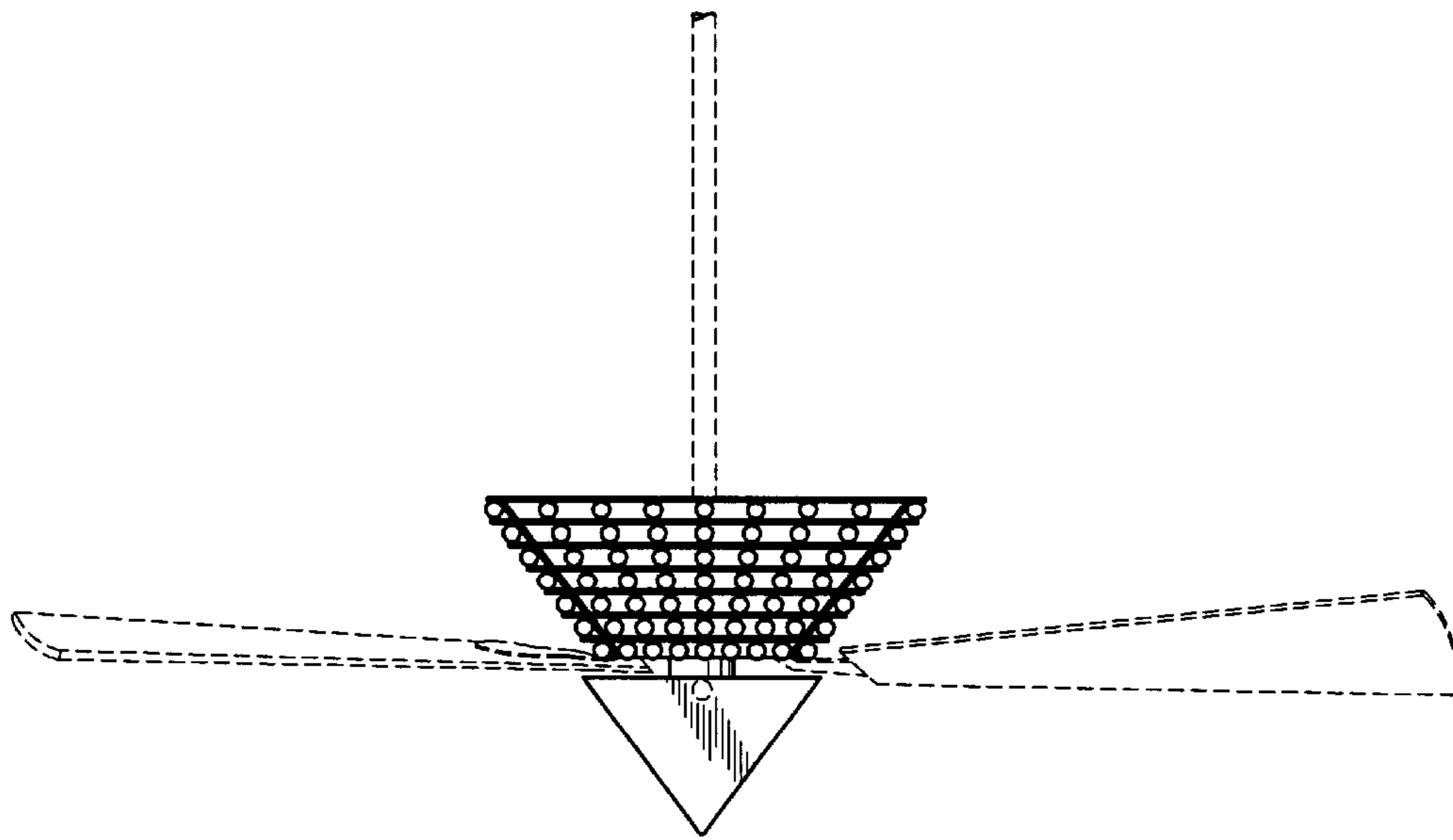


Fig. 3

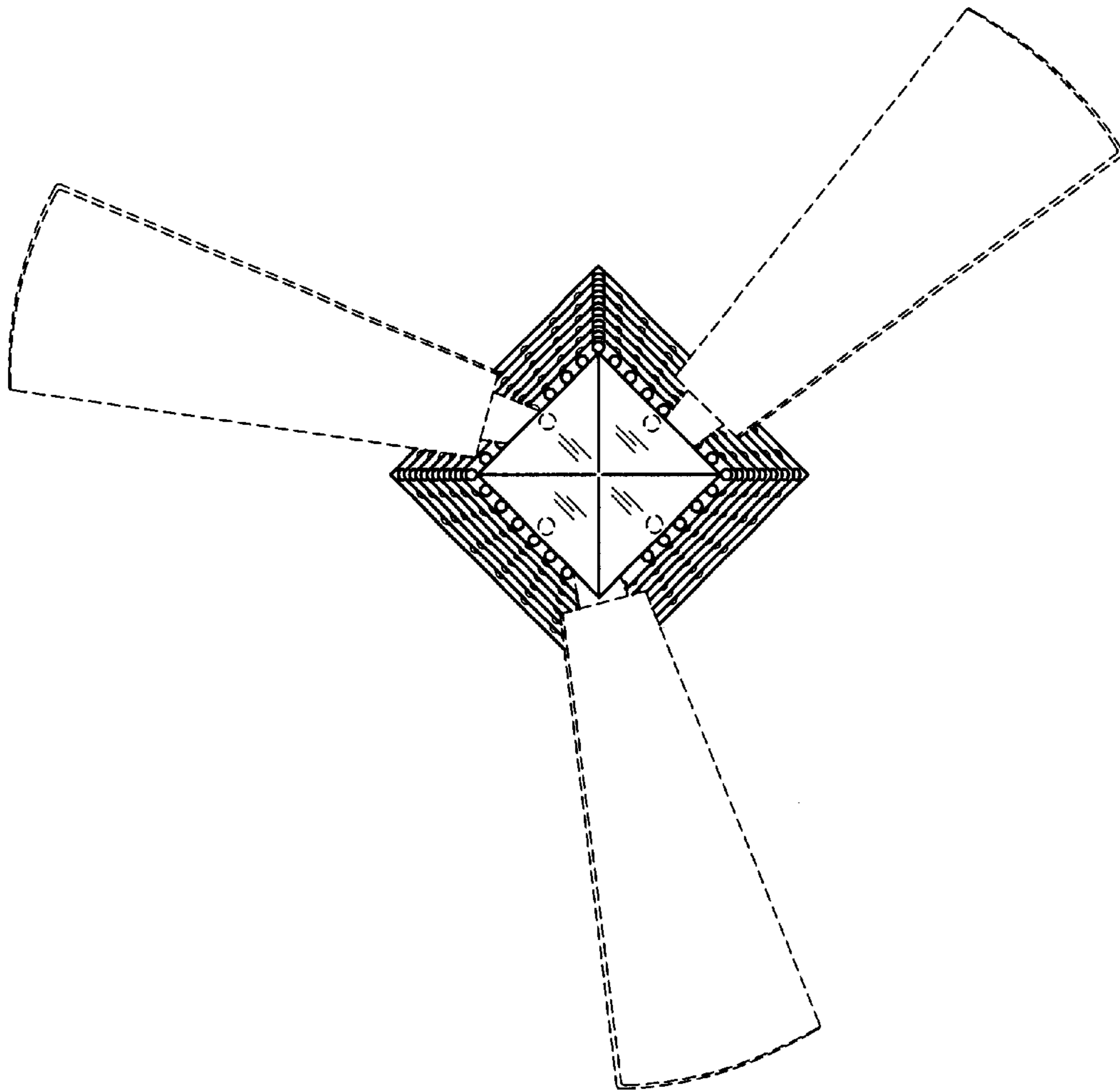


Fig. 4

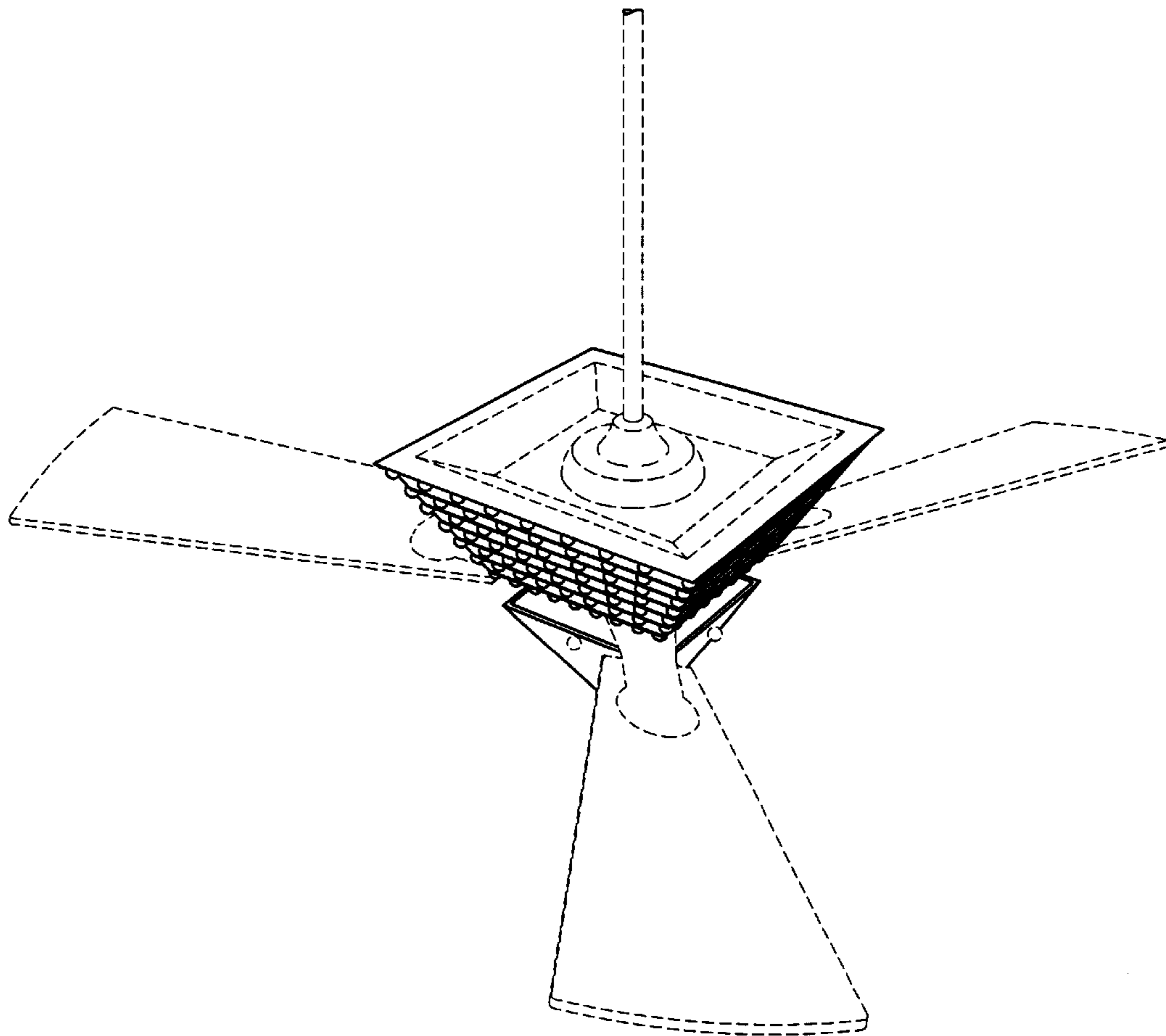


Fig. 5