

US00D519204S

(12) **United States Design Patent**  
**Spina et al.**

(10) **Patent No.:** **US D519,204 S**

(45) **Date of Patent:** **\*\* Apr. 18, 2006**

(54) **FAN DEVICE**

(76) Inventors: **Claudia Spina**, Rua Bresser, 1129, São Paulo, SP, 03017-000 (BR); **Charles Matthews**, 1881 Industrial Dr., Libertyville, IL (US) 60048

(\*\*) Term: **14 Years**

(21) Appl. No.: **29/209,428**

(22) Filed: **Jul. 16, 2004**

(30) **Foreign Application Priority Data**

May 25, 2004 (BR) ..... 005183

(51) **LOC (8) Cl.** ..... **23-04**

(52) **U.S. Cl.** ..... **D23/411**

(58) **Field of Classification Search** ..... D23/377,  
D23/379, 385, 411; 416/5

See application file for complete search history.

(56) **References Cited**

**U.S. PATENT DOCUMENTS**

D425,610 S \* 5/2000 Gee, II ..... D23/377

D434,844 S \* 12/2000 Williams ..... D23/377

D480,133 S \* 9/2003 Chen ..... D23/411

D506,002 S \* 6/2005 Chen ..... D23/377

\* cited by examiner

*Primary Examiner*—Lisa Lichtenstein

(74) *Attorney, Agent, or Firm*—Arent Fox PLLC

(57) **CLAIM**

The ornamental design for a fan device, as shown and described.

**DESCRIPTION**

A rotary device to be installed in roofs of several buildings for attaining synchronized ventilation.

FIG. 1 is a top perspective view of the fan device;

FIG. 2 is a side view of the fan device, the opposite side being a mirror image of that shown;

FIG. 3 is a top view of the fan device;

FIG. 4 is a bottom view of the fan device; and,

FIG. 5 is a front view of the fan device.

**1 Claim, 5 Drawing Sheets**

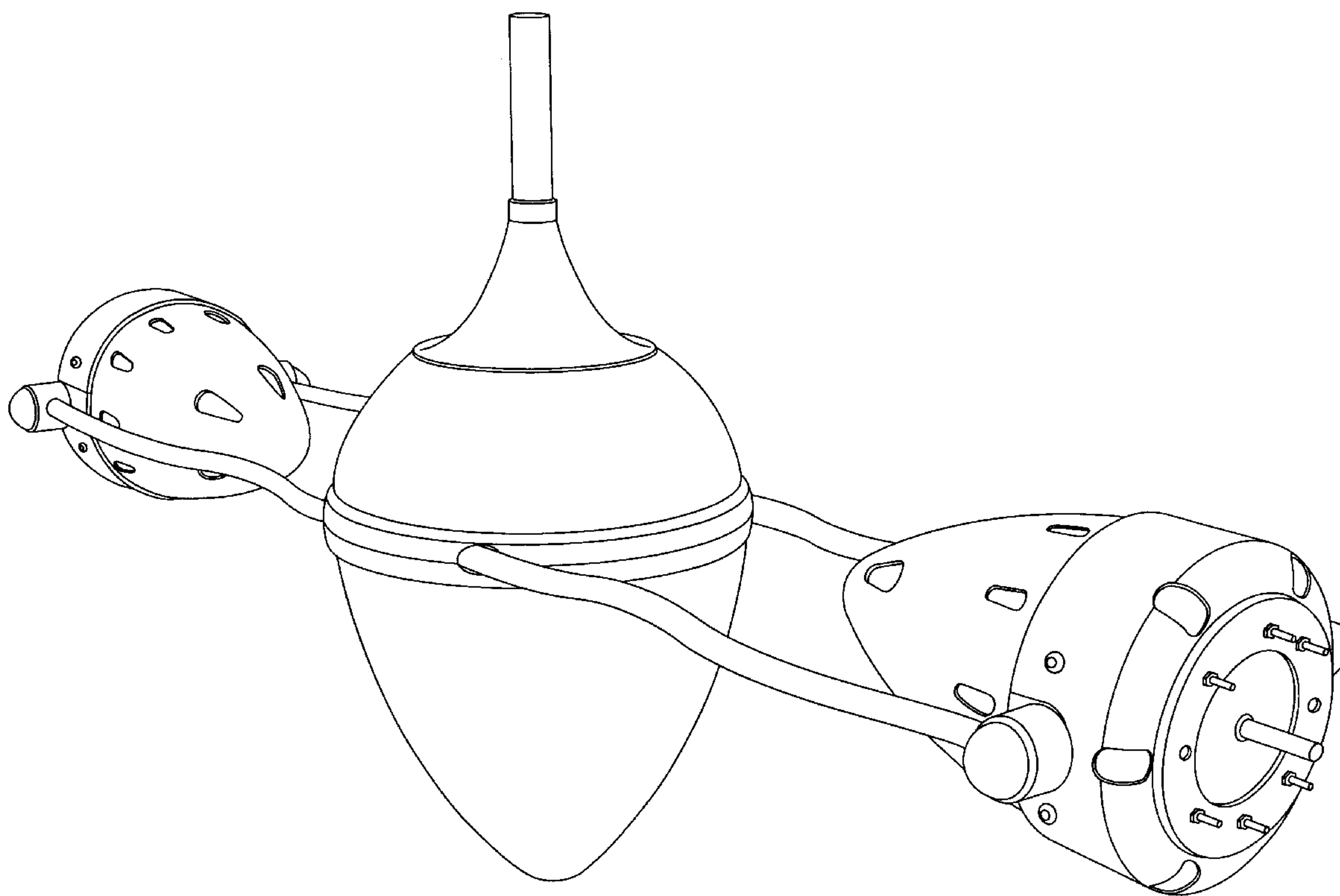
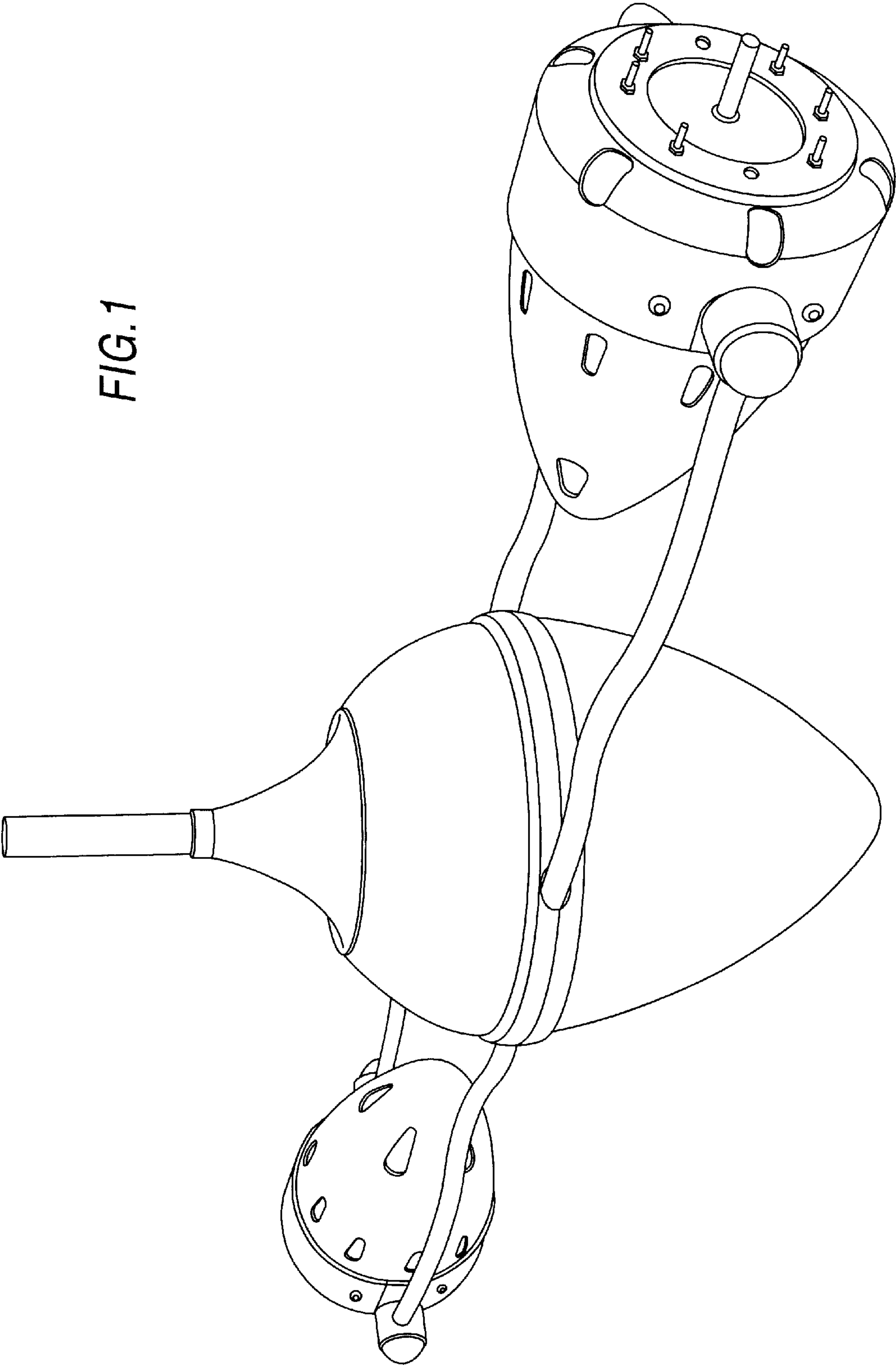


FIG.1



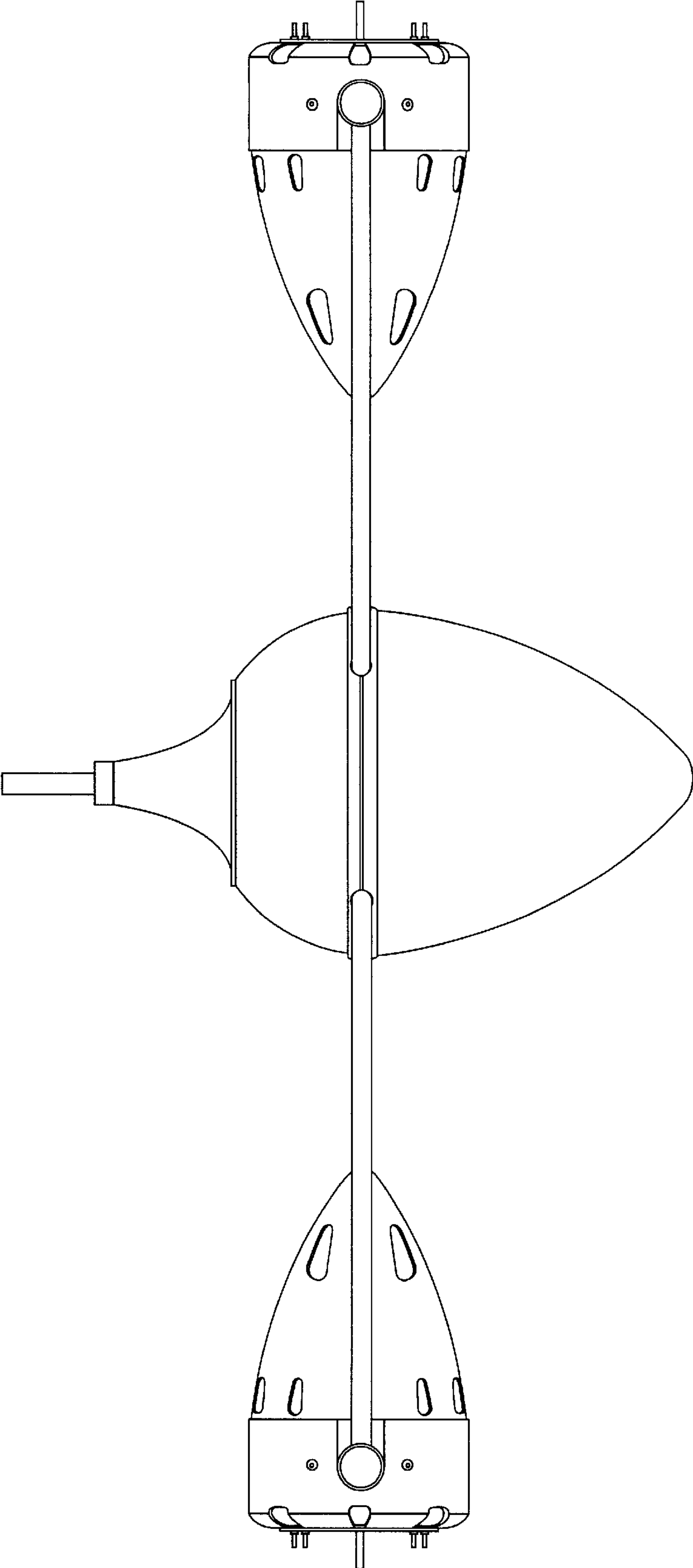


FIG.2

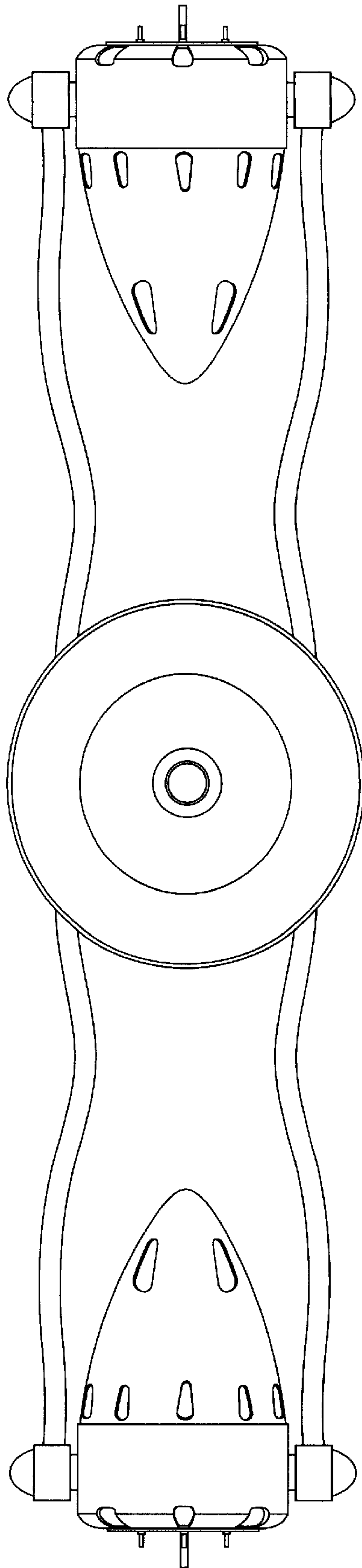


FIG.3

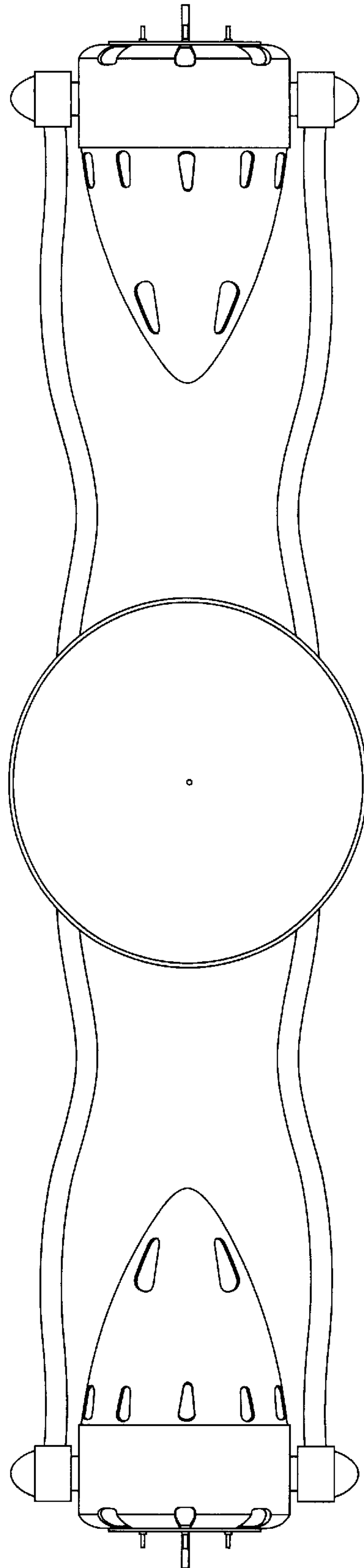


FIG.4

*FIG. 5*

