



US00D519202S

(12) **United States Design Patent**
Lyons et al.

(10) **Patent No.:** **US D519,202 S**
(45) **Date of Patent:** **** Apr. 18, 2006**

(54) **DECORATIVE SURROUND FOR FIREPLACE**

(75) Inventors: **David Charles Lyons**, Red Wing, MN (US); **Ted Victor Schroeder**, Welch, MN (US); **Timothy Wayne Johnson**, Janesville, MN (US); **Jeffrey Paul Hanel**, Savage, MN (US)

(73) Assignee: **HON Technology Inc.**, Muscatine, IA (US)

(**) Term: **14 Years**

(21) Appl. No.: **29/189,503**

(22) Filed: **Sep. 4, 2003**

(51) **LOC (8) Cl.** **23-03**

(52) **U.S. Cl.** **D23/404**

(58) **Field of Classification Search** D23/403-406, D23/499, 398, 343, 345, 348, 349, 350; 52/36.3; 126/500, 509, 510, 512, 516, 519, 520, 544; 16/DIG. 11; D25/55, 60; D7/332, 334, 347, D7/348

See application file for complete search history.

(56) **References Cited**

U.S. PATENT DOCUMENTS

92,999 A * 7/1869 Pemberton 126/500
97,050 A * 11/1869 Conley 126/544
D23,337 S * 6/1894 Gist D23/406
D108,009 S * 1/1938 Baum D23/404

D318,914 S * 8/1991 Becker, Jr. D23/404
5,263,470 A * 11/1993 Whitehouse 126/500
5,737,888 A * 4/1998 Shimek et al. 52/312
5,775,408 A 7/1998 Shimek et al. 165/48.1
5,941,237 A 8/1999 Shimek et al. 126/512
5,996,575 A 12/1999 Shimek et al. 126/512
6,170,481 B1 1/2001 Lyons et al. 126/512
6,439,226 B1 8/2002 Johnson et al. 126/547
2003/0049575 A1 3/2003 Lyons et al.

* cited by examiner

Primary Examiner—Sandra S. Snapp

(74) *Attorney, Agent, or Firm*—Merchant & Gould P.C.

(57) **CLAIM**

The ornamental design for decorative surround for fireplace, as shown and described.

DESCRIPTION

FIG. 1 shows a front plan view of one embodiment of a decorative fireplace surround according to principles of the present invention;

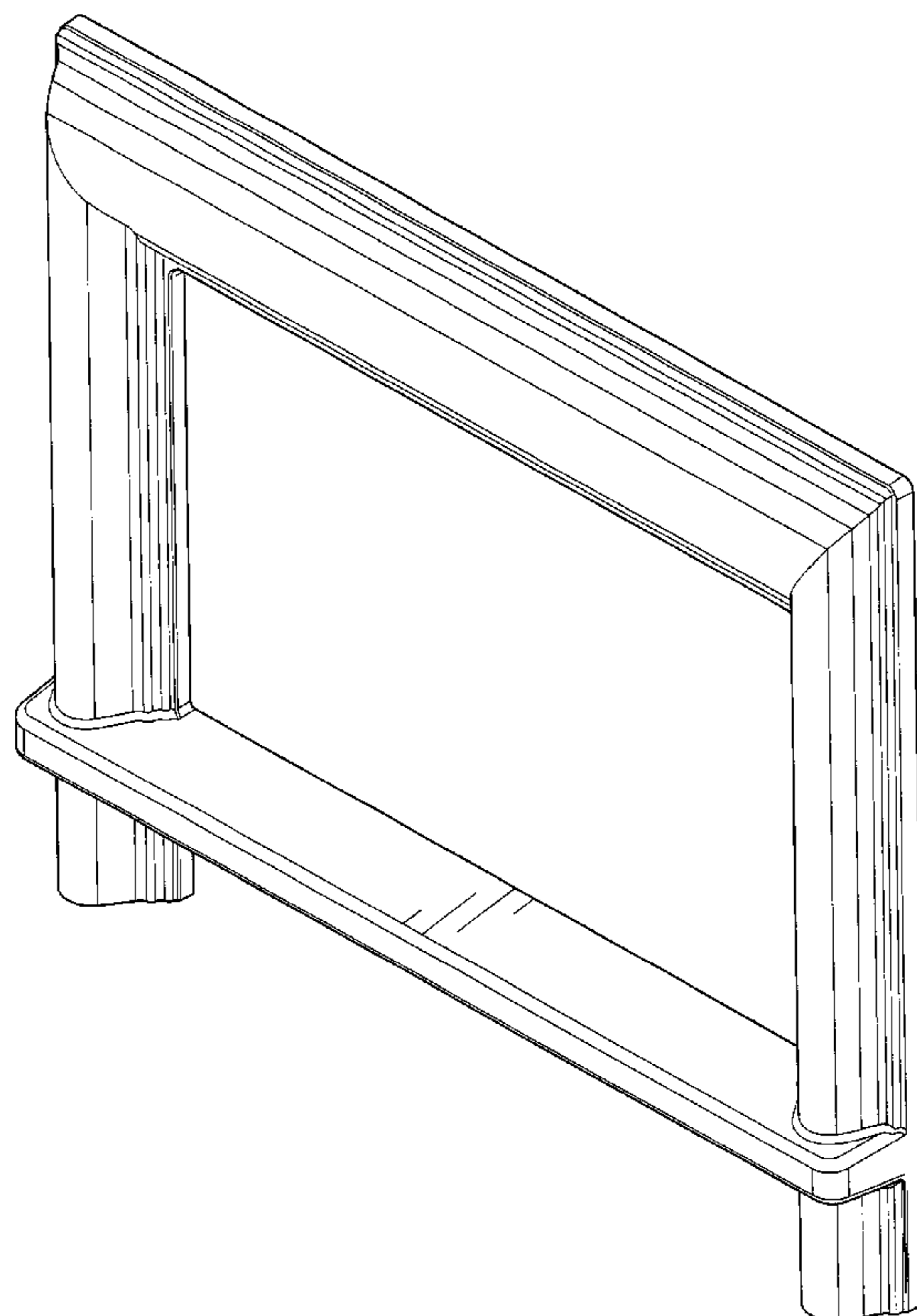
FIG. 2 shows a perspective view thereof;

FIG. 3 shows a right side elevation view thereof, a left side elevation view not being shown as it is a mirror image of the right side elevation view;

FIG. 4 is a top plan view thereof; and

FIG. 5 is a front elevation view of another embodiment of a decorative fireplace surround according to the principles of the invention.

1 Claim, 4 Drawing Sheets



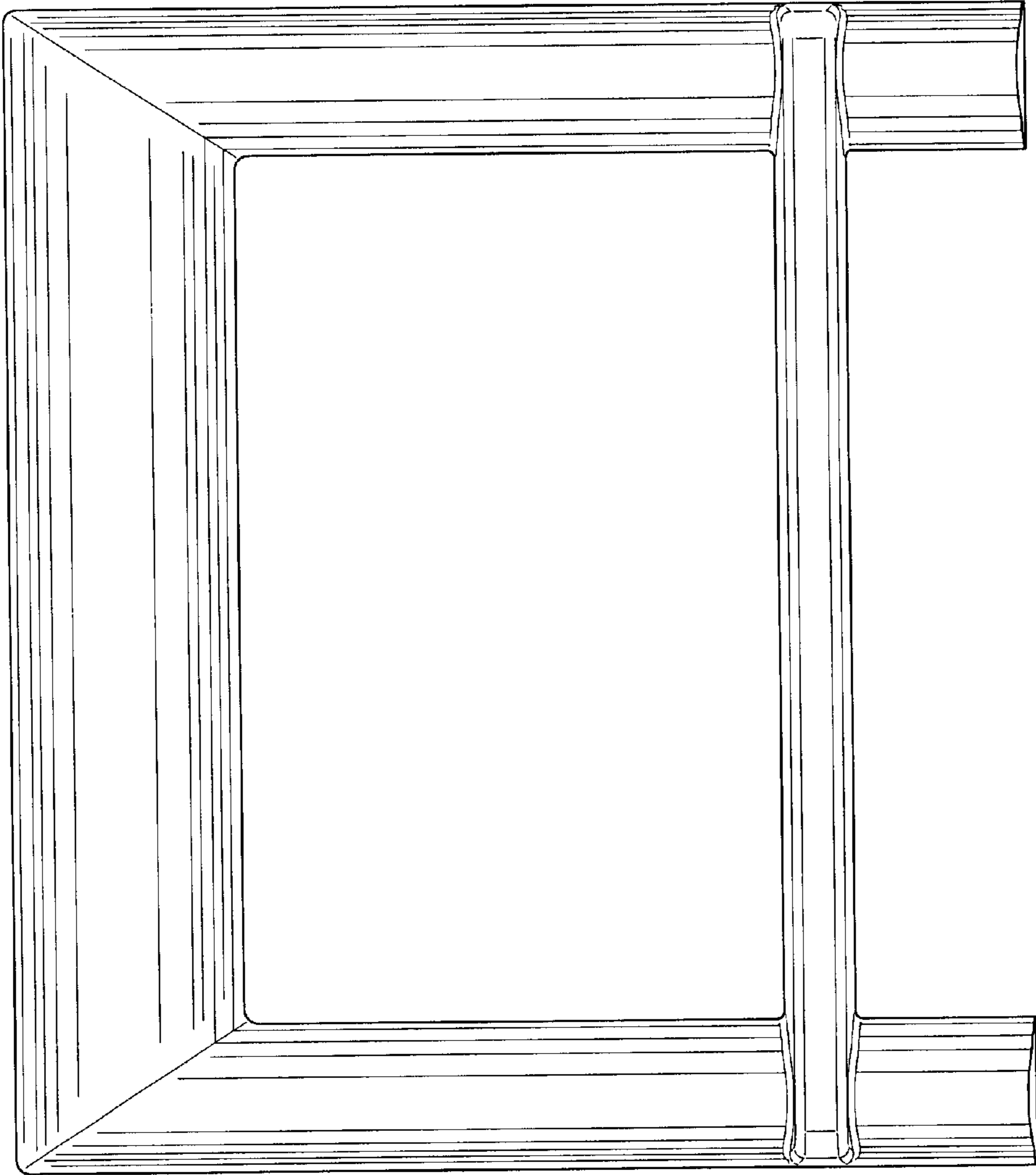


FIG. 1

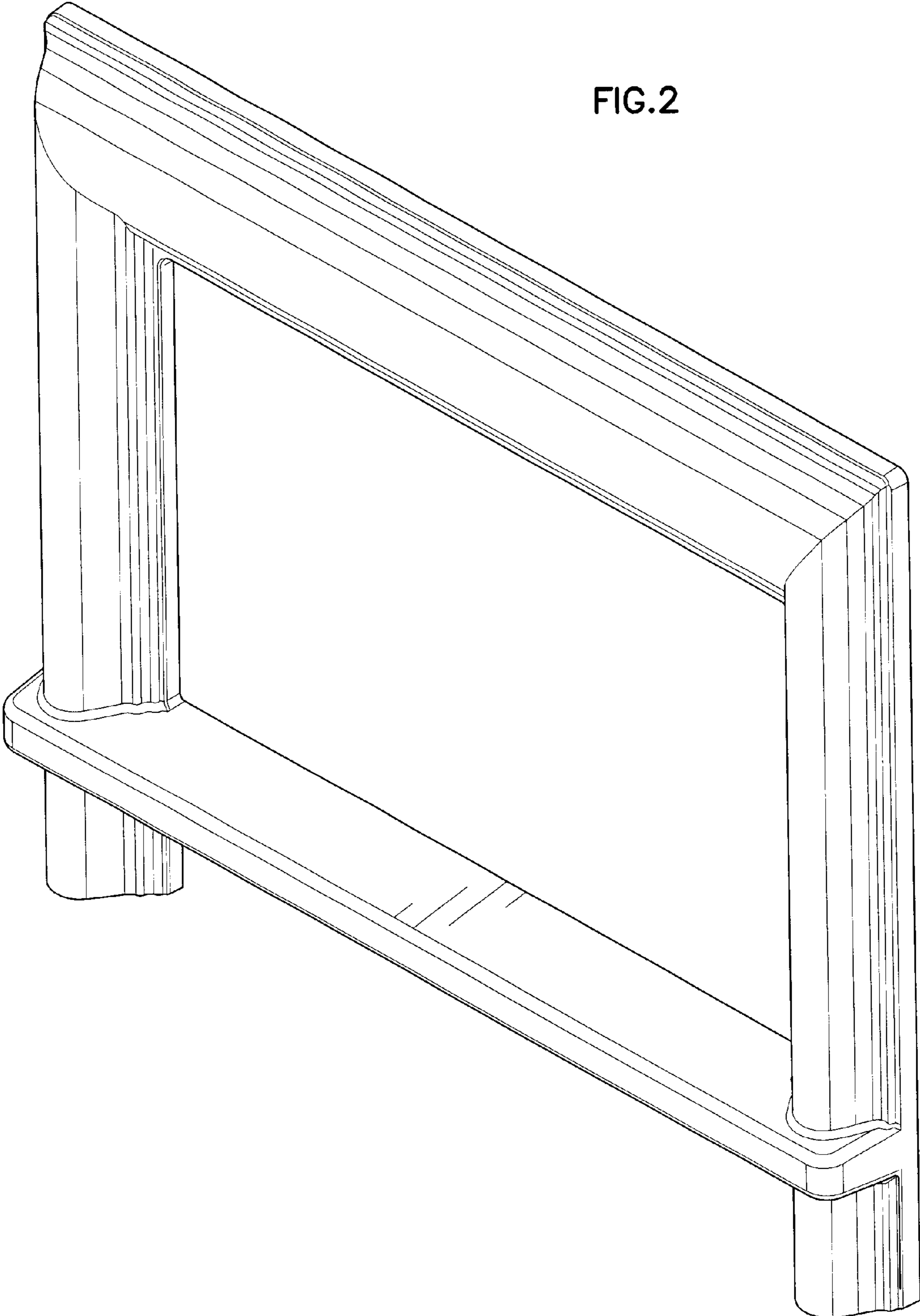


FIG. 2

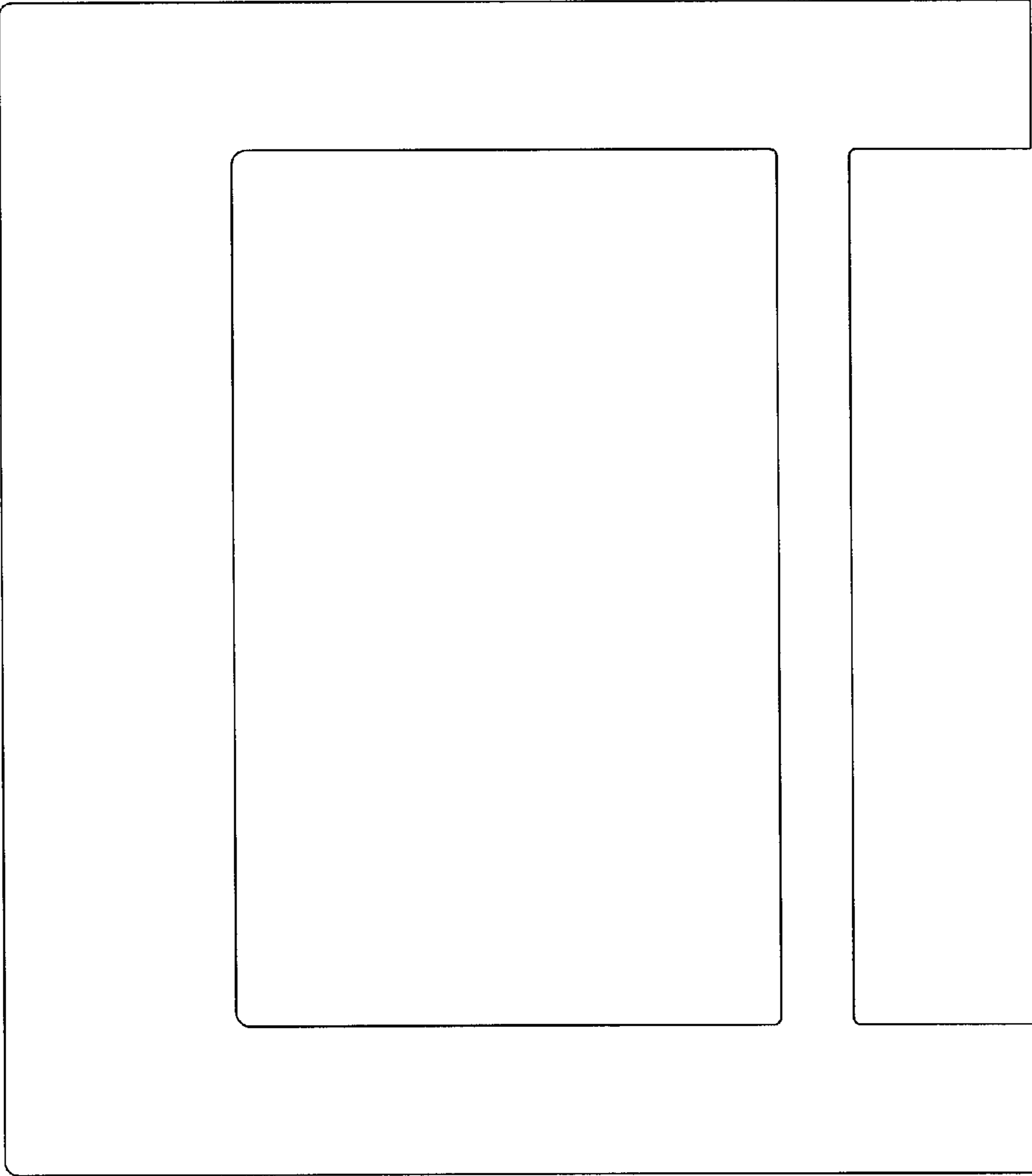


FIG. 3

FIG. 4

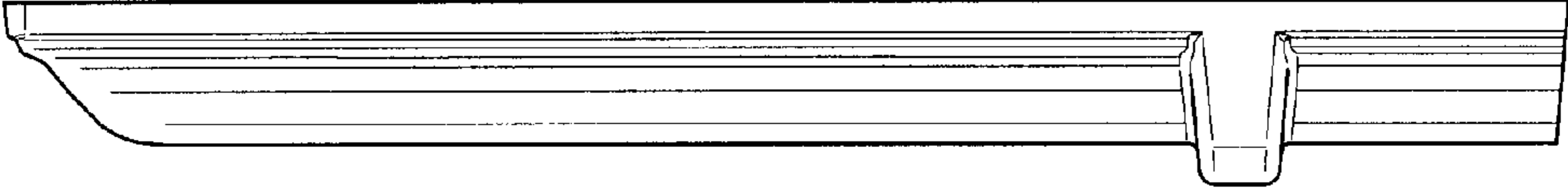


FIG. 5

