

US00D519192S

(12) **United States Design Patent**  
**Kergoet**

(10) **Patent No.:** **US D519,192 S**

(45) **Date of Patent:** **\*\* Apr. 18, 2006**

(54) **TUB FOR BATHING**

(75) Inventor: **Francois Kergoet**, Malakoff (FR)

(73) Assignee: **Kohler France SAS**, Paris (FR)

(\*\*) Term: **14 Years**

(21) Appl. No.: **29/198,688**

(22) Filed: **Feb. 3, 2004**

(51) **LOC (8) Cl.** ..... **23-02**

(52) **U.S. Cl.** ..... **D23/280.1**

(58) **Field of Classification Search** ..... D23/270,  
D23/273, 275–277, 280.1–280.4, 303, 304,  
D23/308; 4/538–539, 541.1, 553, 584, 663;  
D24/204–205

See application file for complete search history.

(56) **References Cited**

**U.S. PATENT DOCUMENTS**

D482,763 S 11/2003 Thomas ..... D23/280.1  
D483,840 S \* 12/2003 Molinaro ..... D23/277

**FOREIGN PATENT DOCUMENTS**

ES 152550 10/2001

**OTHER PUBLICATIONS**

1988 Kohler catalog ad, p. 6–31, showing a “Tea-For-Two” bath whirlpool.

2001 Kallista catalog ad, p. 1.32, showing a “Barbara Barry” bath.

2001 Kallista catalog ad, p. 3.44, showing a “Terrazzo” kitchen sink.

Undated Altmans catalog ad showing a “Condesa” tub.

\* cited by examiner

*Primary Examiner*—Robert A. Delehanty

(74) *Attorney, Agent, or Firm*—Quarles & Brady LLP

(57) **CLAIM**

The ornamental design for a tub for bathing, as shown and described.

**DESCRIPTION**

In a preferred embodiment, the nature of this product is as a plumbing fixture in the form of a tub which is primarily useful for washing the body of humans.

FIG. 1 is a right, top, front perspective view of a tub for bathing embodying my new design;

FIG. 2 is a top plan view thereof;

FIG. 3 is a front elevational view thereof;

FIG. 4 is a right side elevational view thereof, the left side elevational view thereof being a mirror image of the right shown;

FIG. 5 is a rear elevational view thereof;

FIG. 6 is a bottom plan view thereof; and,

FIG. 7 is a cross-sectional view thereof taken along line 7–7 of FIG. 2.

**1 Claim, 5 Drawing Sheets**

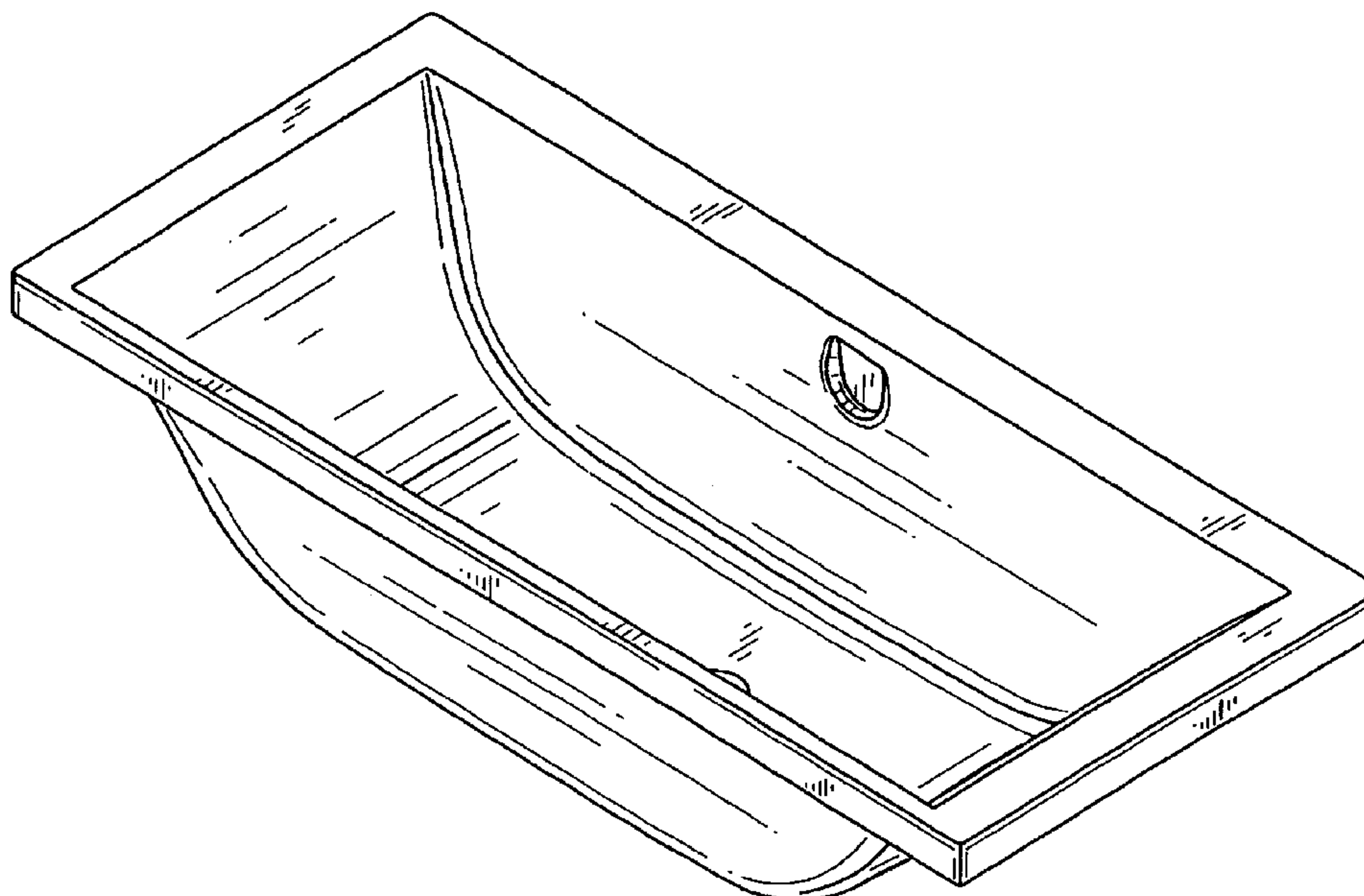
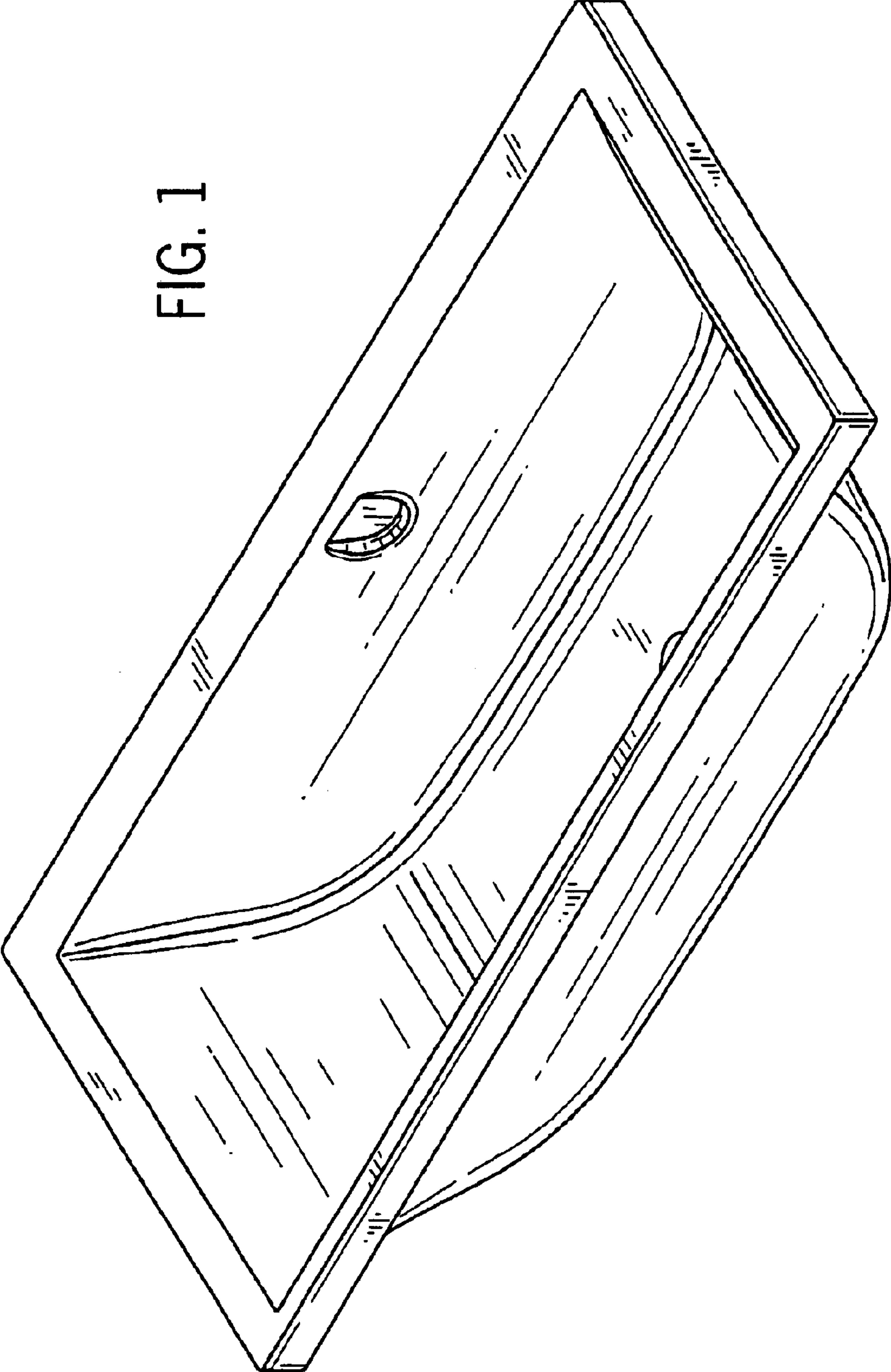


FIG. 1



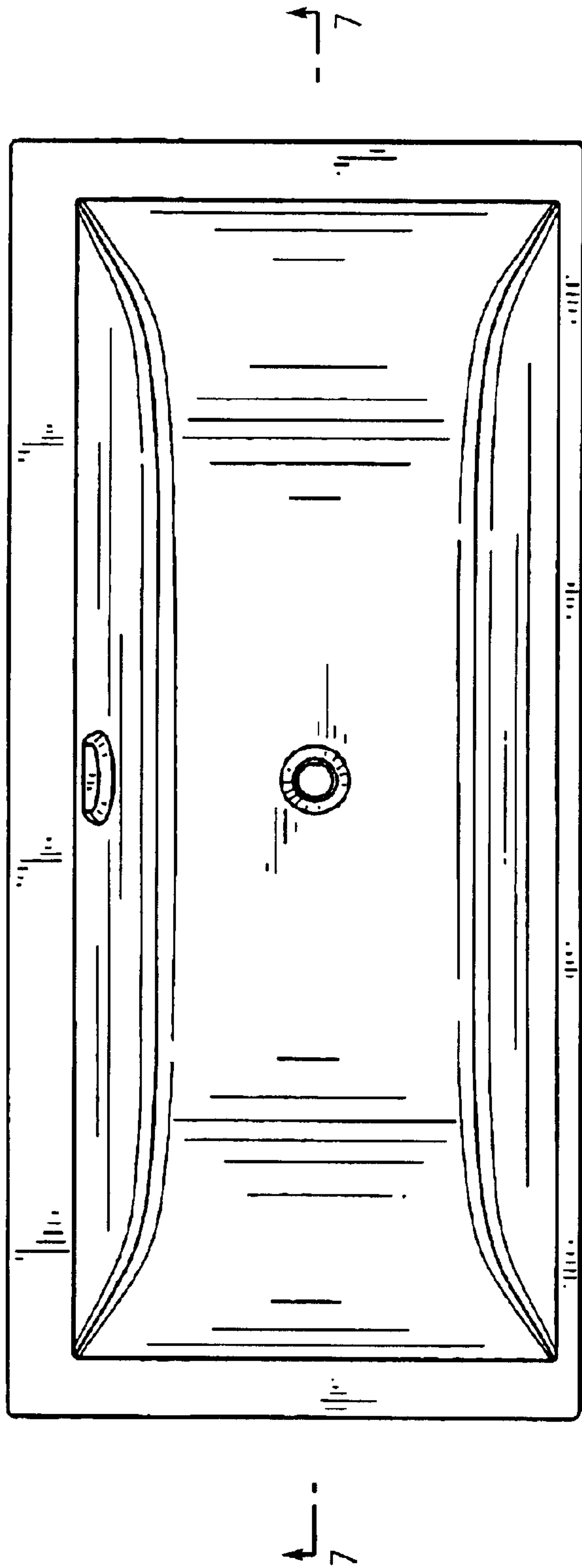


FIG. 2

FIG. 3

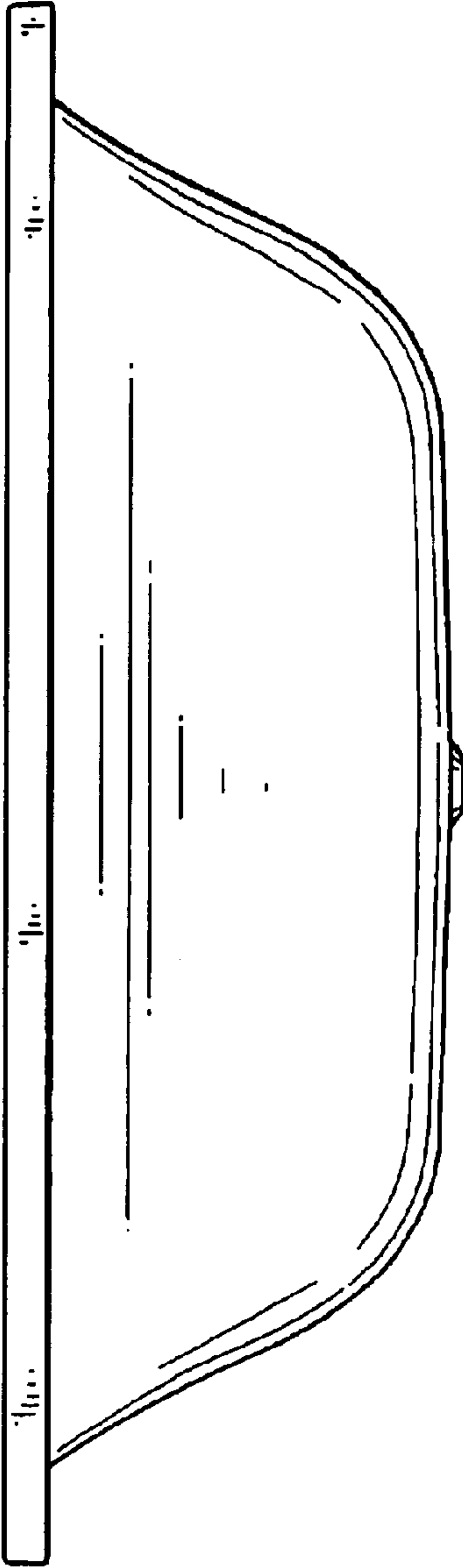
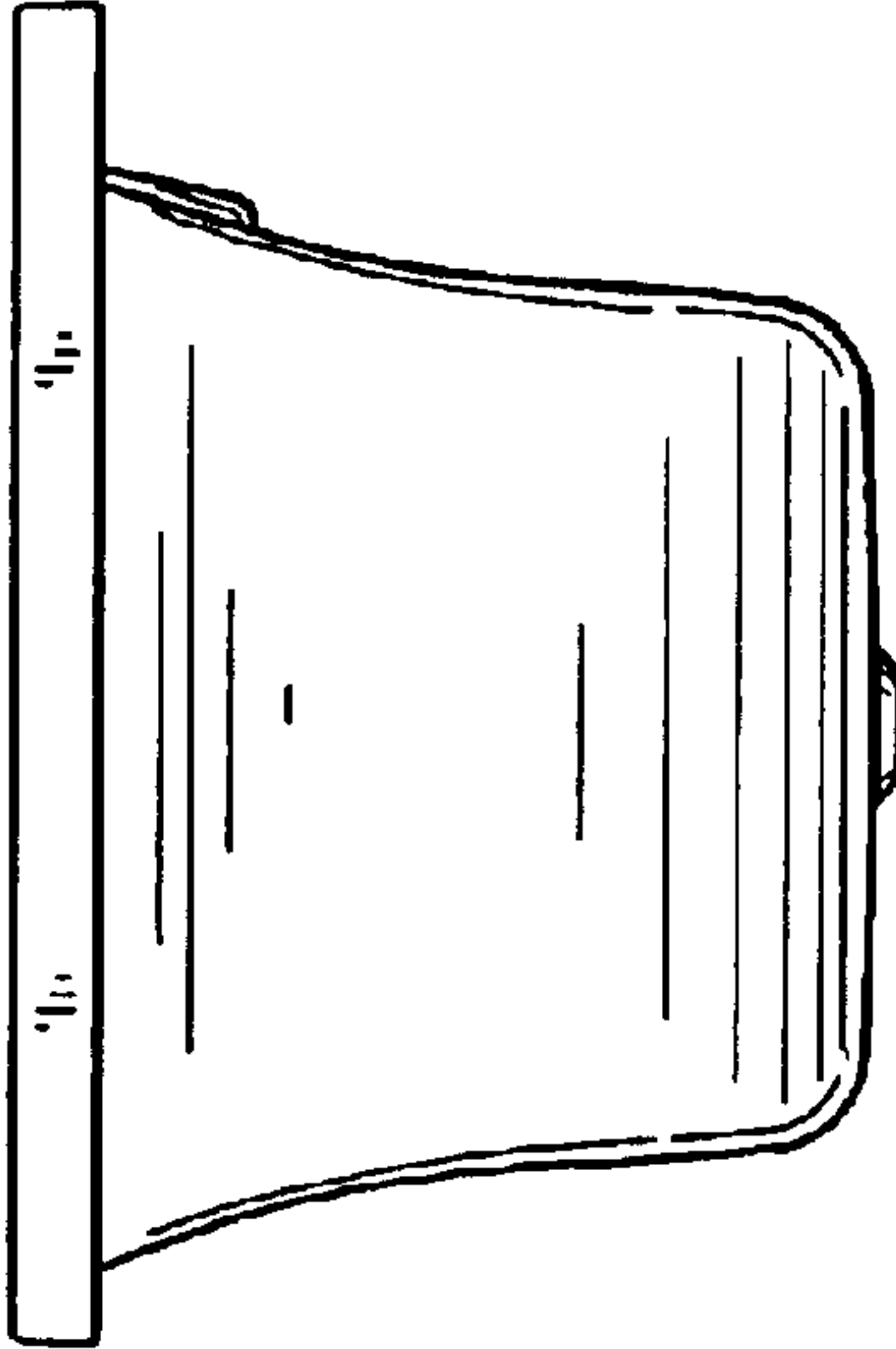


FIG. 4



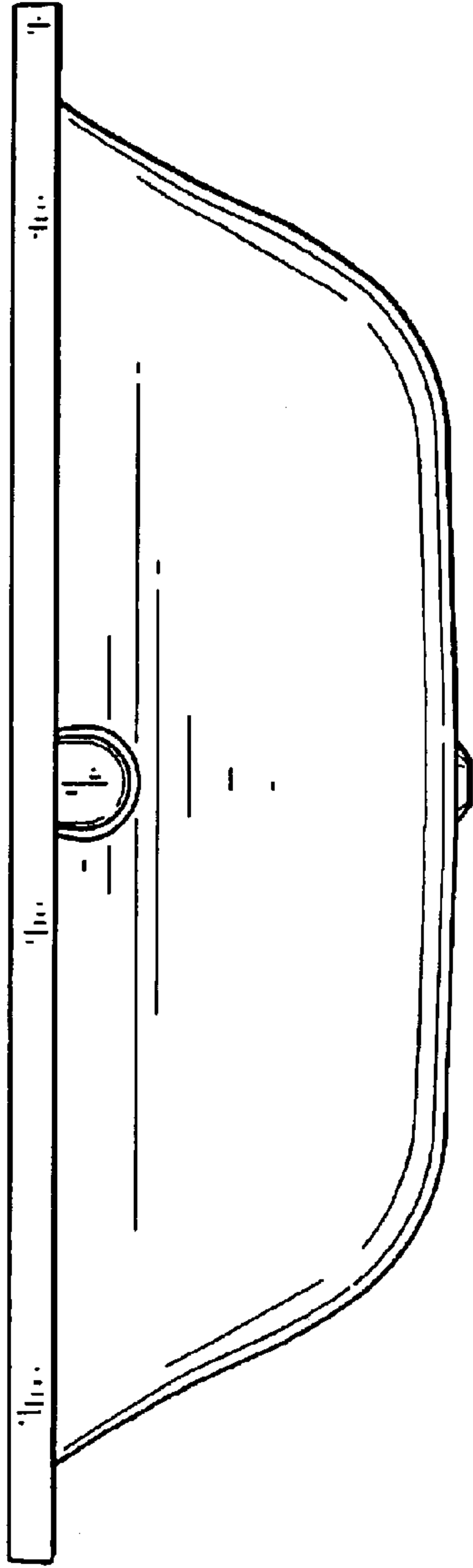


FIG. 5

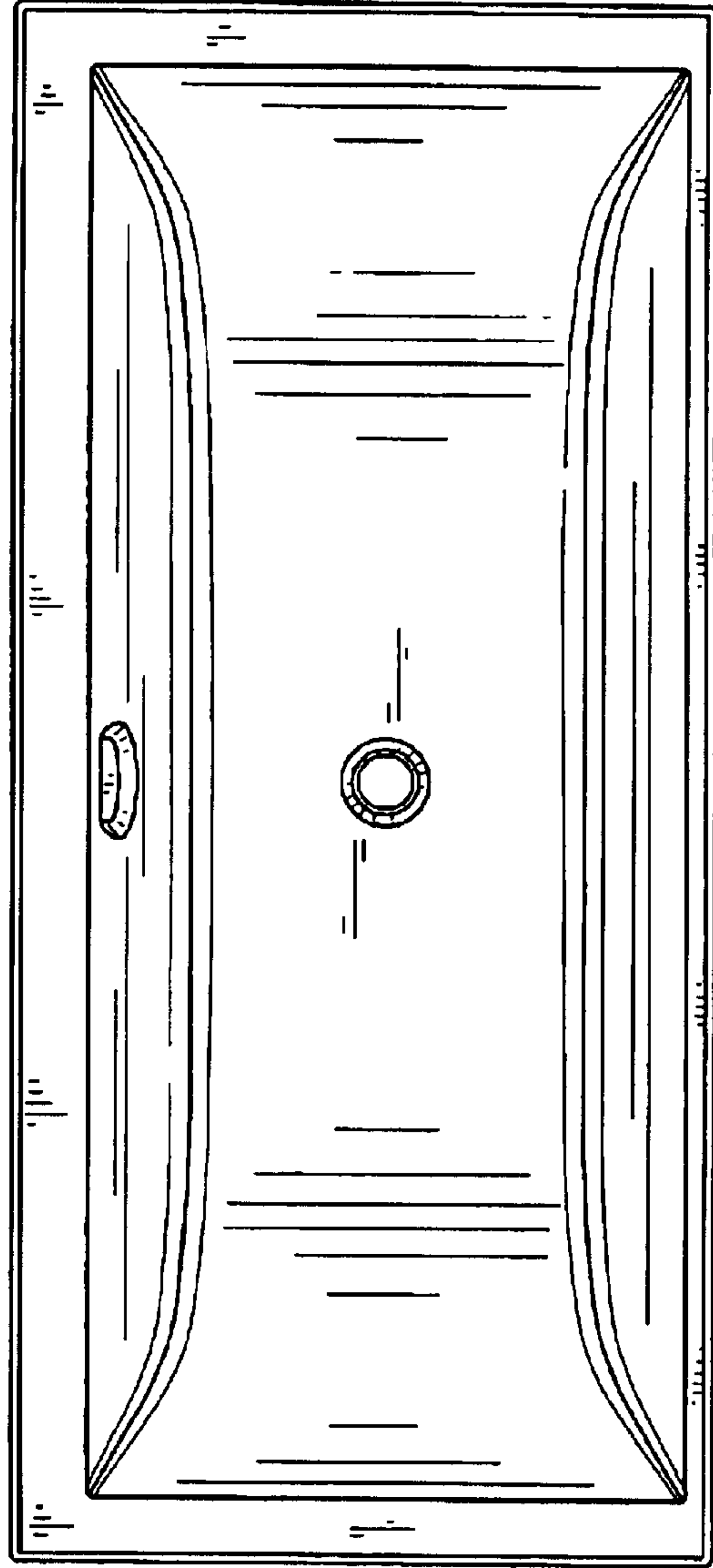


FIG. 6

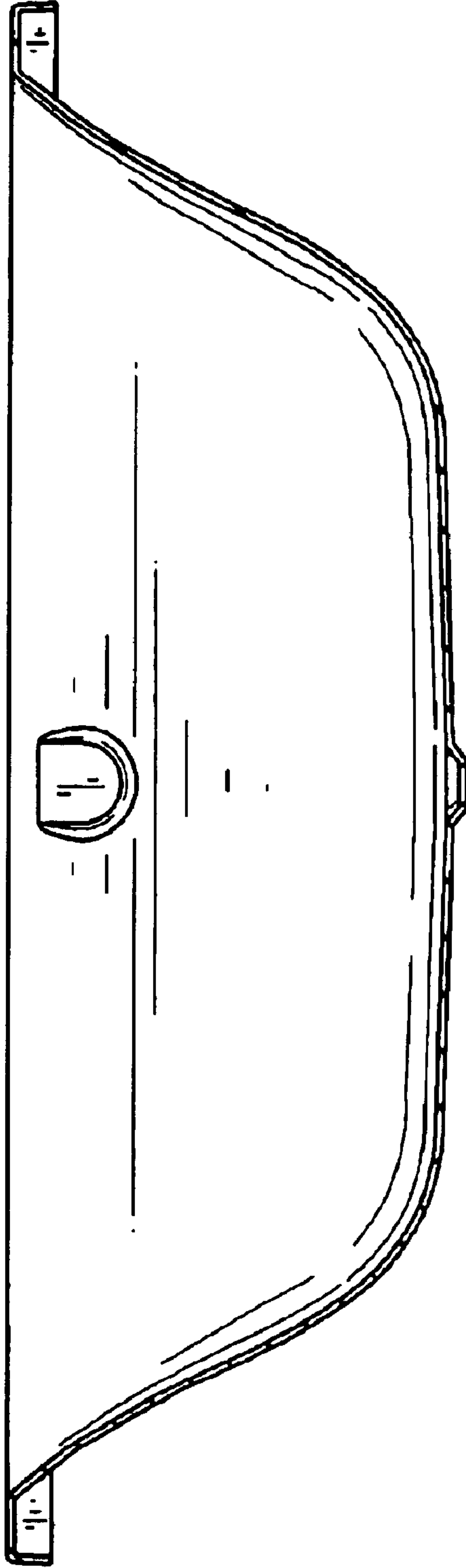


FIG. 7