



US00D519191S

(12) **United States Design Patent**  
**Beall**

(10) **Patent No.:** **US D519,191 S**  
(45) **Date of Patent:** **\*\* Apr. 18, 2006**

(54) **LOOP WATER DIRECTING CHAIN**

(76) Inventor: **Garm Beall**, 7831 Alabama Ave., Unit 18, Canoga Park, CA (US) 91304

(\*\*) Term: **14 Years**

(21) Appl. No.: **29/215,942**

(22) Filed: **Oct. 26, 2004**

(51) **LOC (8) Cl.** ..... **23-01**

(52) **U.S. Cl.** ..... **D23/267; D11/13**

(58) **Field of Classification Search** ..... **D23/267; D11/12-13; 52/11, 12, 16; 137/615**  
See application file for complete search history.

(56) **References Cited**

**U.S. PATENT DOCUMENTS**

D316,686 S *	5/1991	Tardif .....	D11/148
D333,800 S *	3/1993	Akdemir .....	D11/12
D340,662 S *	10/1993	Cipolla .....	D11/18
D410,997 S *	6/1999	Christianson .....	D23/267
D416,409 S *	11/1999	Matthews et al. ....	D6/514
6,308,464 B1 *	10/2001	Demartini .....	52/16
6,497,816 B1 *	12/2002	Naddy .....	210/162
6,526,699 B1 *	3/2003	Foglio, Sr. ....	52/15
D493,118 S *	7/2004	Neri .....	D11/13
D506,160 S *	6/2005	Lambert .....	D11/148

\* cited by examiner

*Primary Examiner*—Robin V. Taylor

(74) *Attorney, Agent, or Firm*—Aaron T. Borrowman; Kelly Lowry & Kelley LLP

(57) **CLAIM**

The ornamental design for a loop water directing chain, as shown and described.

**DESCRIPTION**

FIG. 1 is a perspective view of the water directing chain apparatus of the present invention attached to a down-spout of a building, shown in phantom and forming no part of the claimed design;

FIG. 2 is a perspective view of several interconnected links of the water directing chain apparatus of the present invention forming a vertical chain;

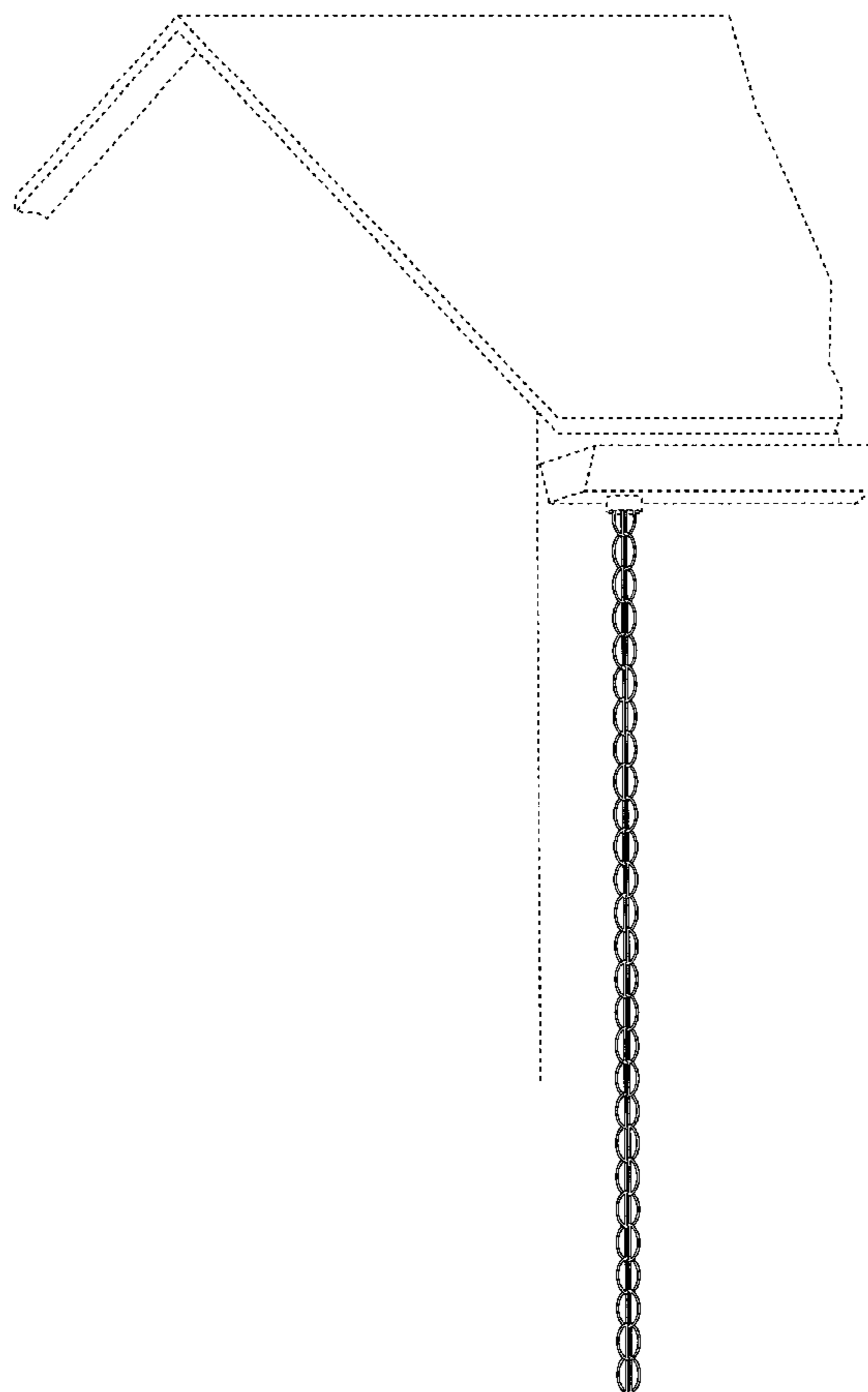
FIG. 3 is a front elevational view of the vertical chain of FIG. 2;

FIG. 4 is a side elevational view of the vertical chain of FIG. 2; and,

FIG. 5 is a top plan view of the vertical chain of FIG. 2, the bottom plan view being a mirror image thereof.

The loop water directing chain is of indeterminate length and is shown in section in FIGS. 2-5 for ease of illustration.

**1 Claim, 2 Drawing Sheets**



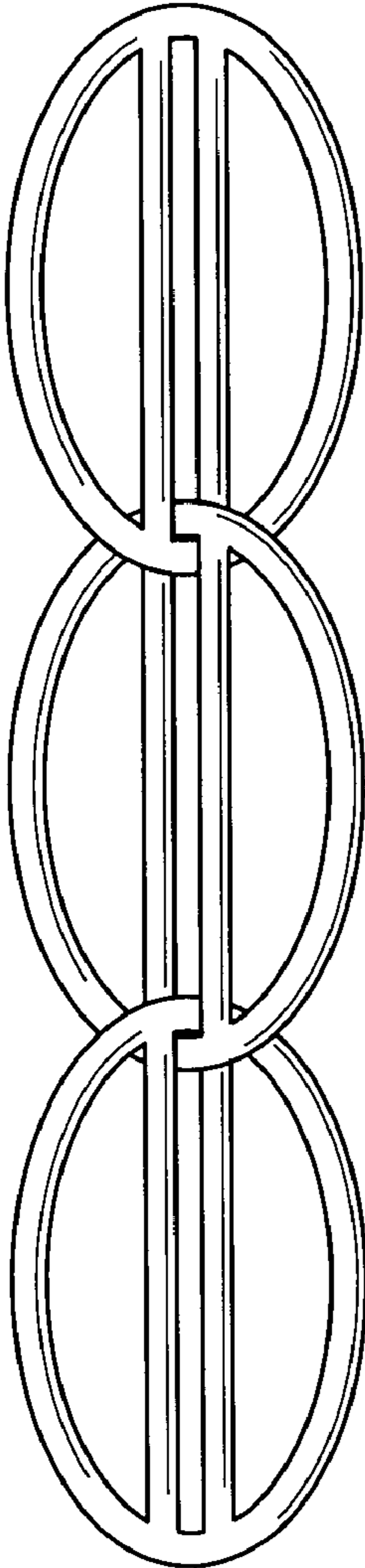
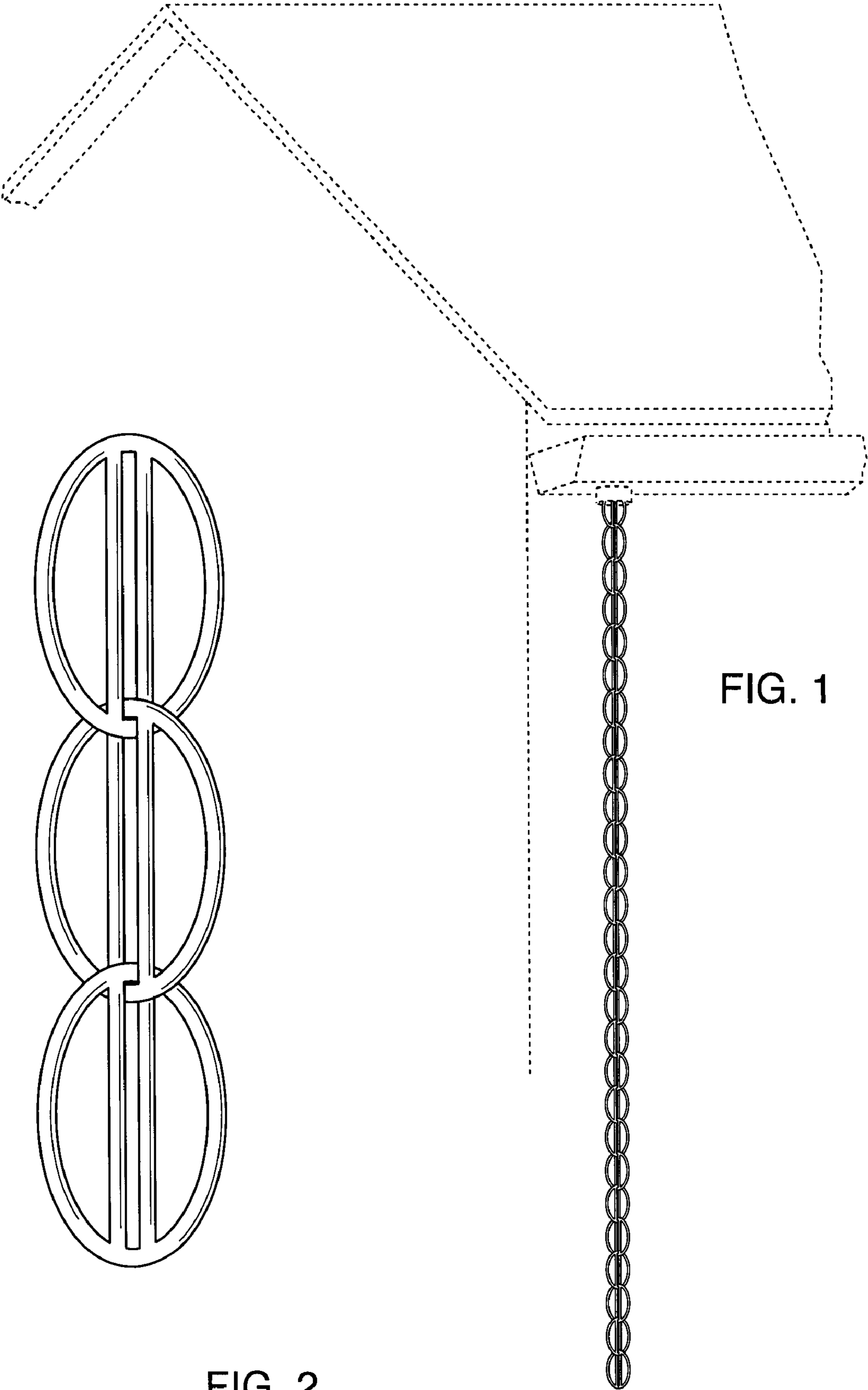


FIG. 2

FIG. 1

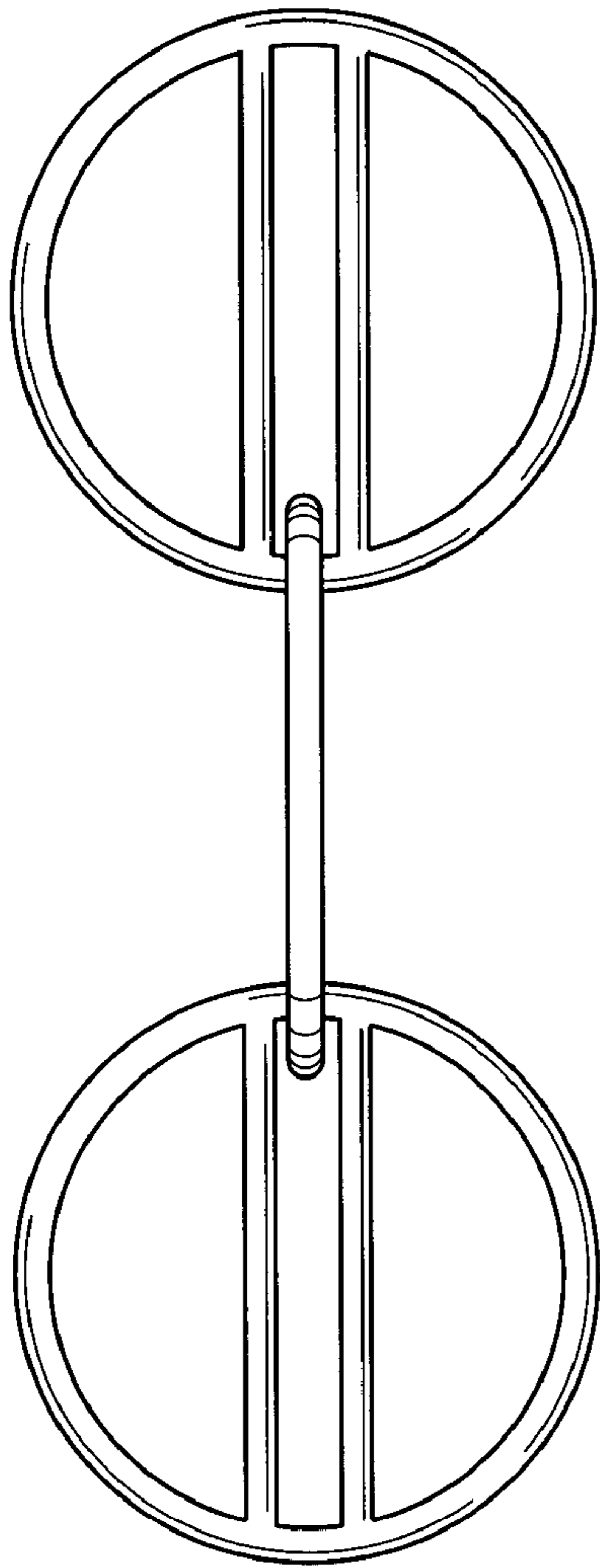


FIG. 3

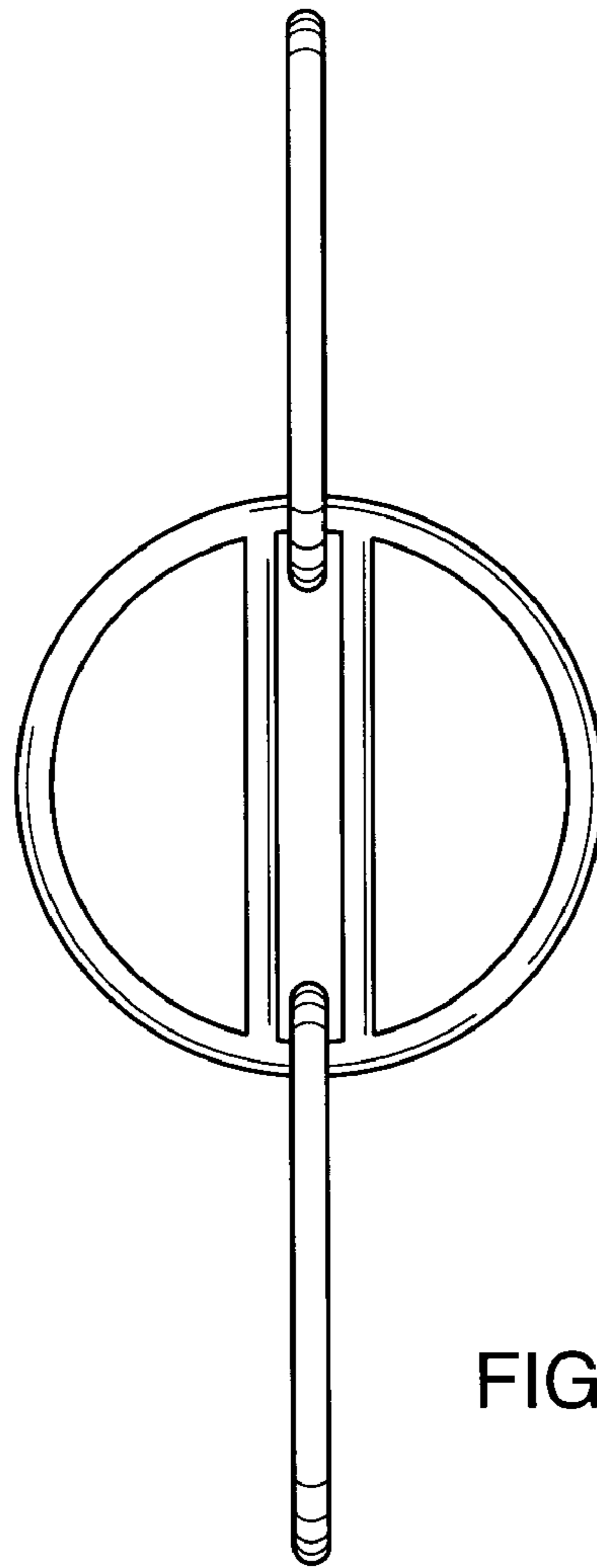


FIG. 4

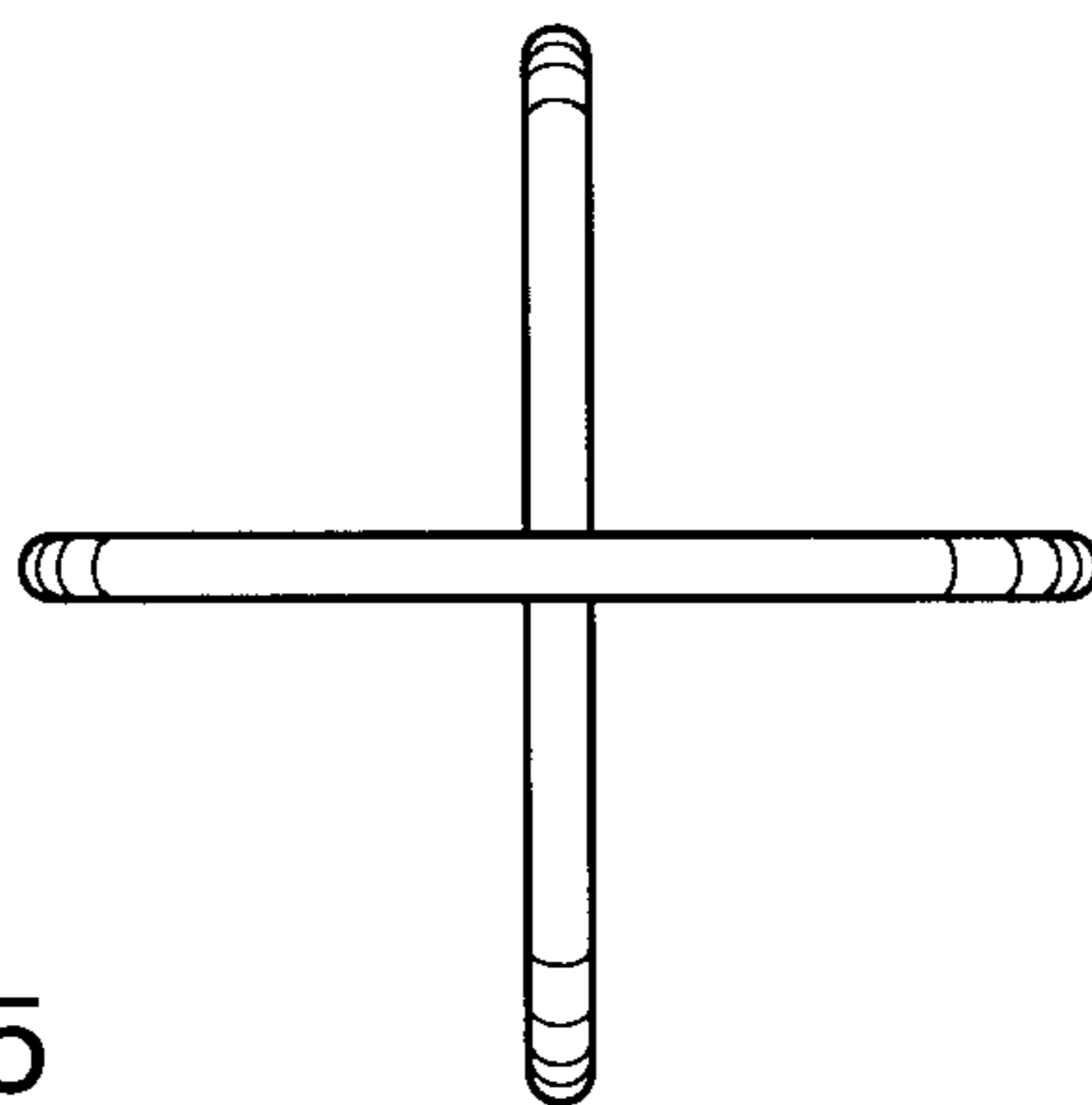


FIG. 5