

US00D519190S

(12) **United States Design Patent**
Lord

(10) **Patent No.:** **US D519,190 S**

(45) **Date of Patent:** **** Apr. 18, 2006**

(54) **FAUCET ASSEMBLY**

D472,961 S * 4/2003 Ziemann D23/238
D473,630 S * 4/2003 Wettstein et al. D23/238

(75) Inventor: **Judd Lord**, Carmel, IN (US)

* cited by examiner

(73) Assignee: **Masco Corporation of Indiana**,
Indianapolis, IN (US)

Primary Examiner—Louis S. Zarfes

Assistant Examiner—Gregory Andoll

(**) Term: **14 Years**

(74) *Attorney, Agent, or Firm*—Kwadjo Adusei-Poku;
Lloyd D. Doigan

(21) Appl. No.: **29/222,748**

(57) **CLAIM**

(22) Filed: **Feb. 3, 2005**

The ornamental design for a faucet assembly, as shown and described.

(51) **LOC (8) Cl.** **23-01**

(52) **U.S. Cl.** **D23/238**

(58) **Field of Classification Search** D23/238–257;
4/675–678; 137/801

DESCRIPTION

See application file for complete search history.

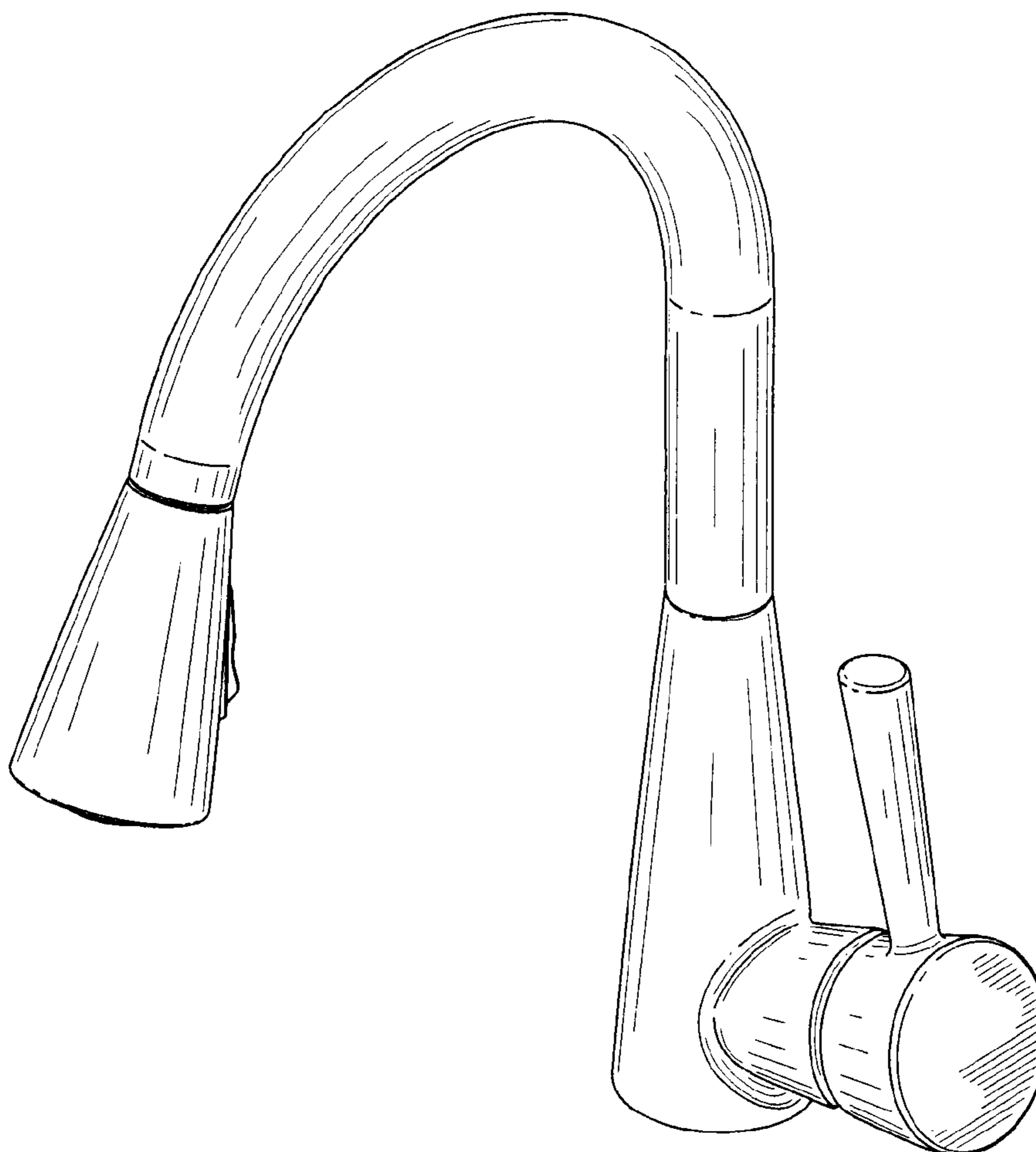
FIG. 1 is a front perspective view of a faucet assembly showing my design;
FIG. 2 is a front elevational view thereof;
FIG. 3 is a rear elevational view thereof;
FIG. 4 is a right side elevational view thereof;
FIG. 5 is a left side elevational view thereof;
FIG. 6 is a top plan view thereof; and,
FIG. 7 is a rear perspective view thereof.

(56) **References Cited**

U.S. PATENT DOCUMENTS

D323,700 S * 2/1992 Wilde D23/241
D426,873 S * 6/2000 Milrud et al. D23/255
D444,212 S * 6/2001 Fleischmann D23/243
D468,398 S * 1/2003 Ziemann D23/238

1 Claim, 7 Drawing Sheets



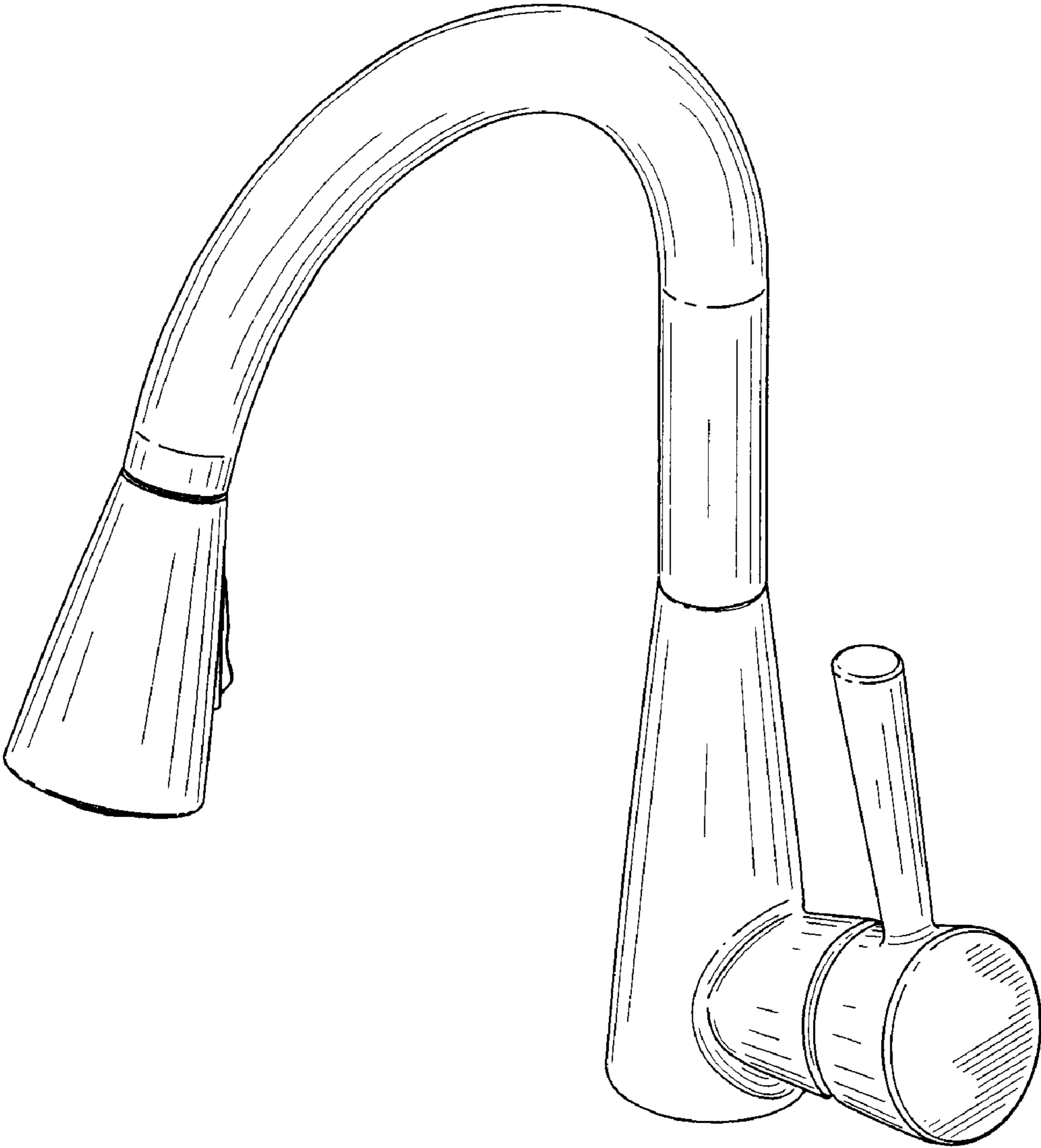


FIG. 1

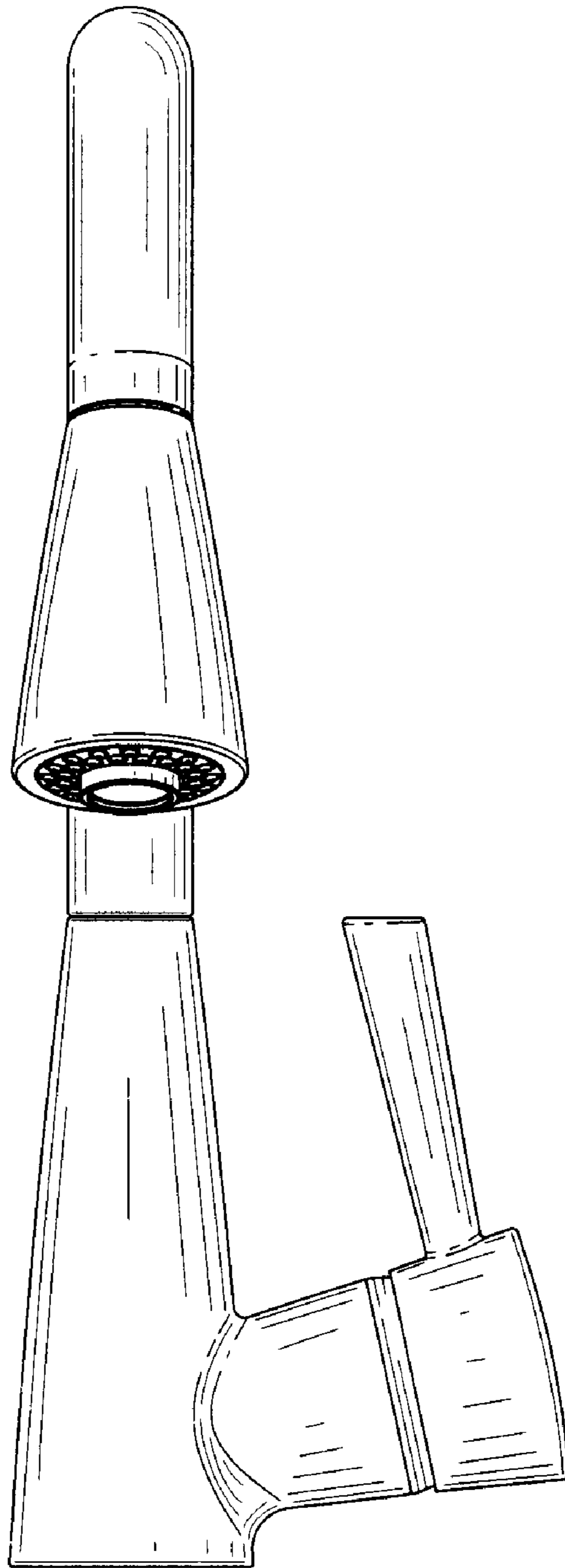


FIG. 2

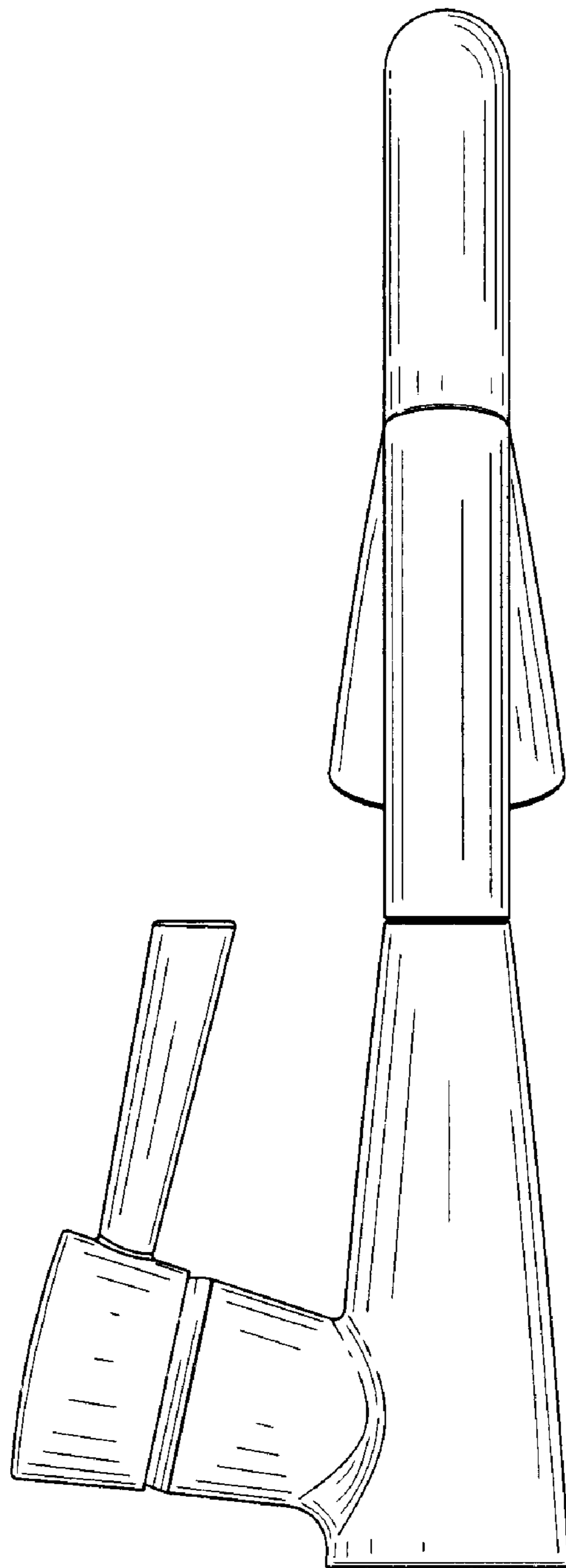


FIG. 3

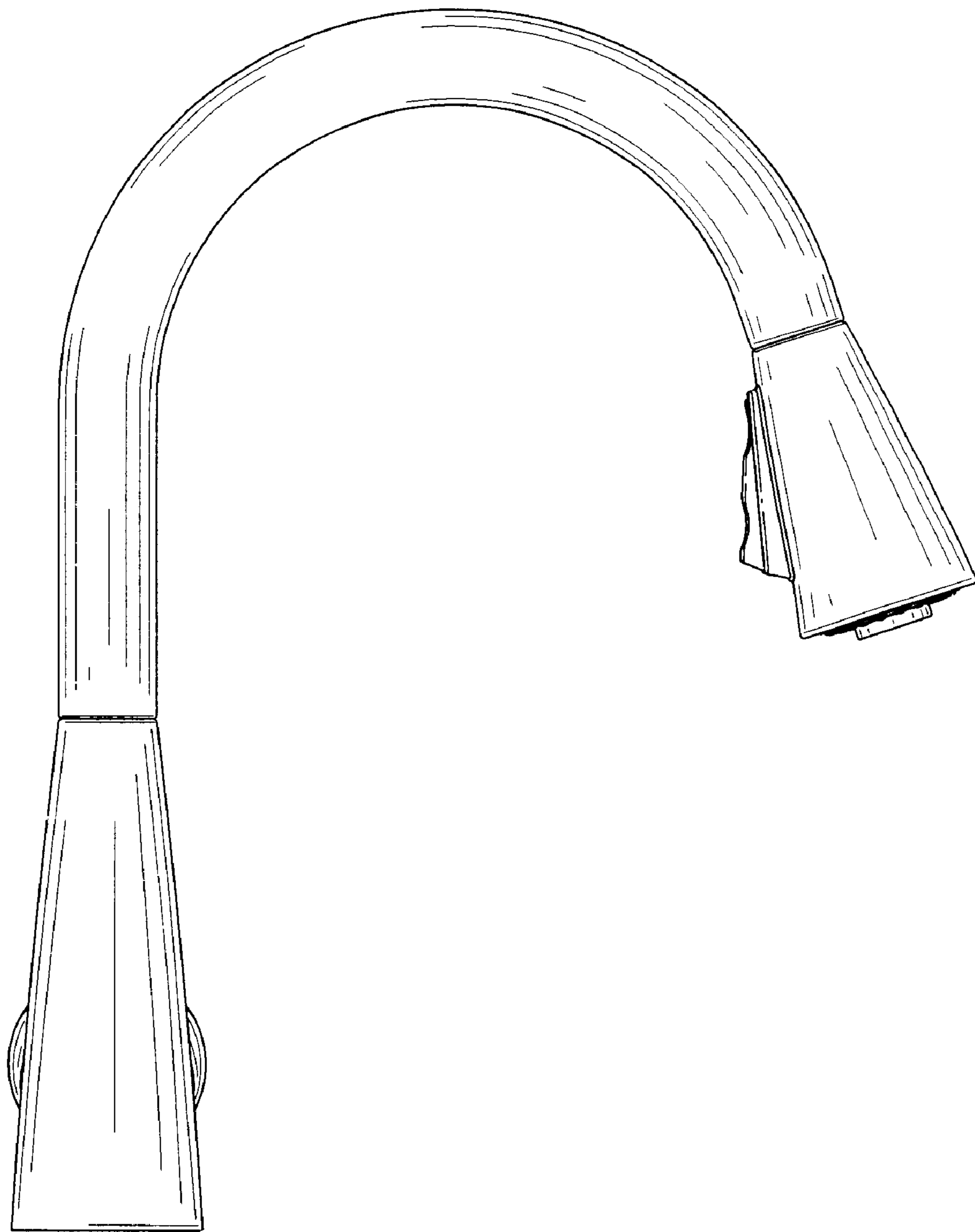


FIG. 4

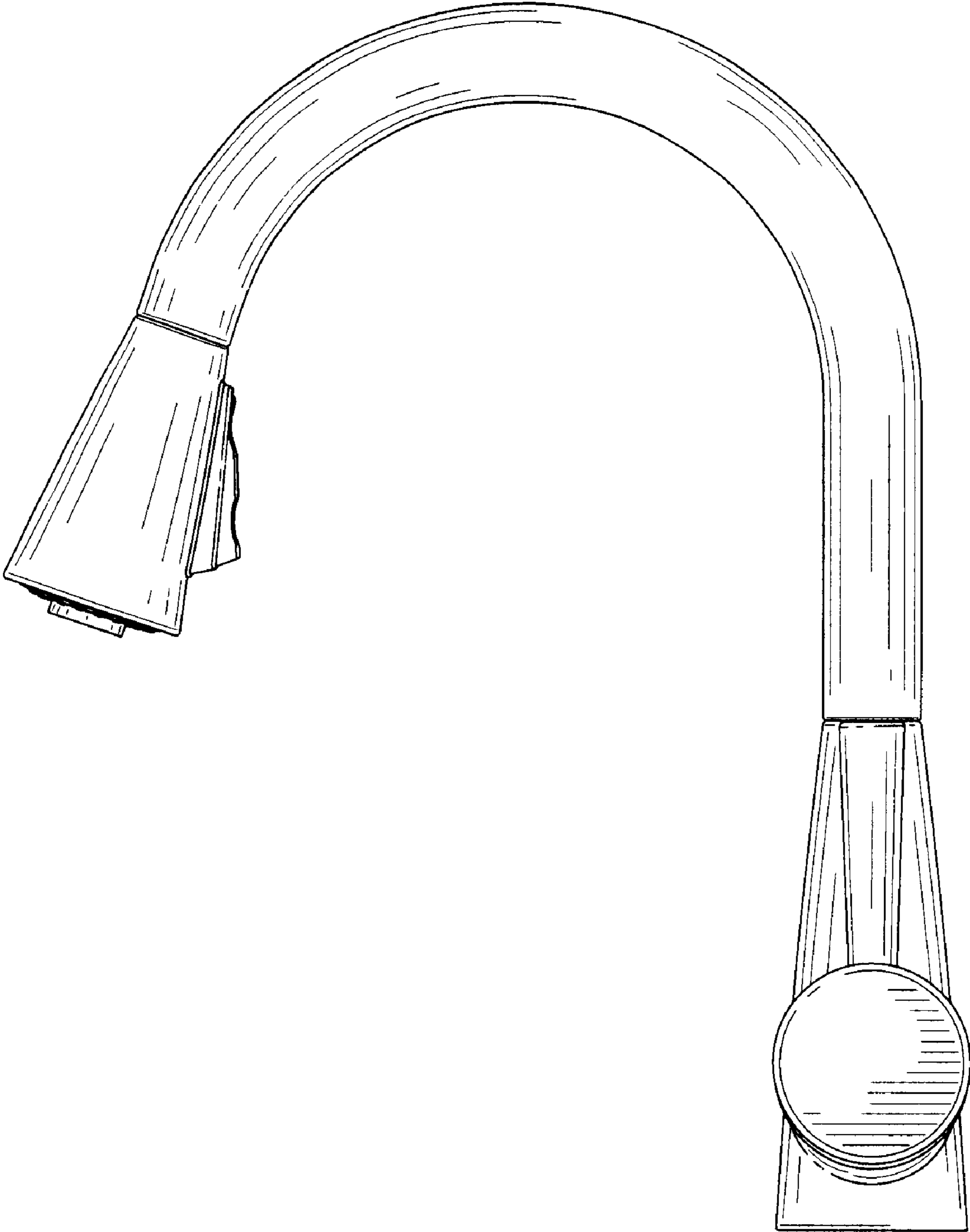


FIG. 5

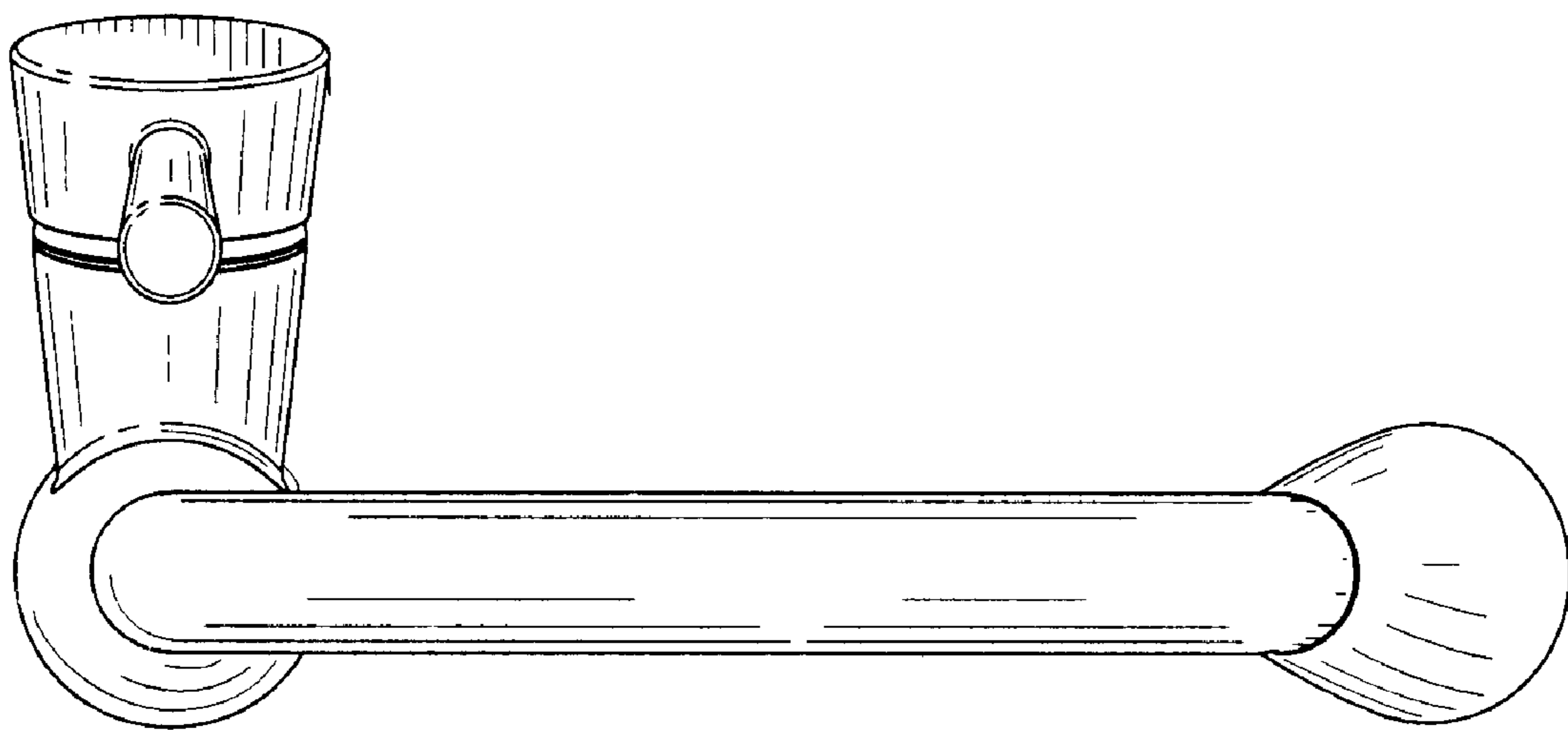


FIG. 6

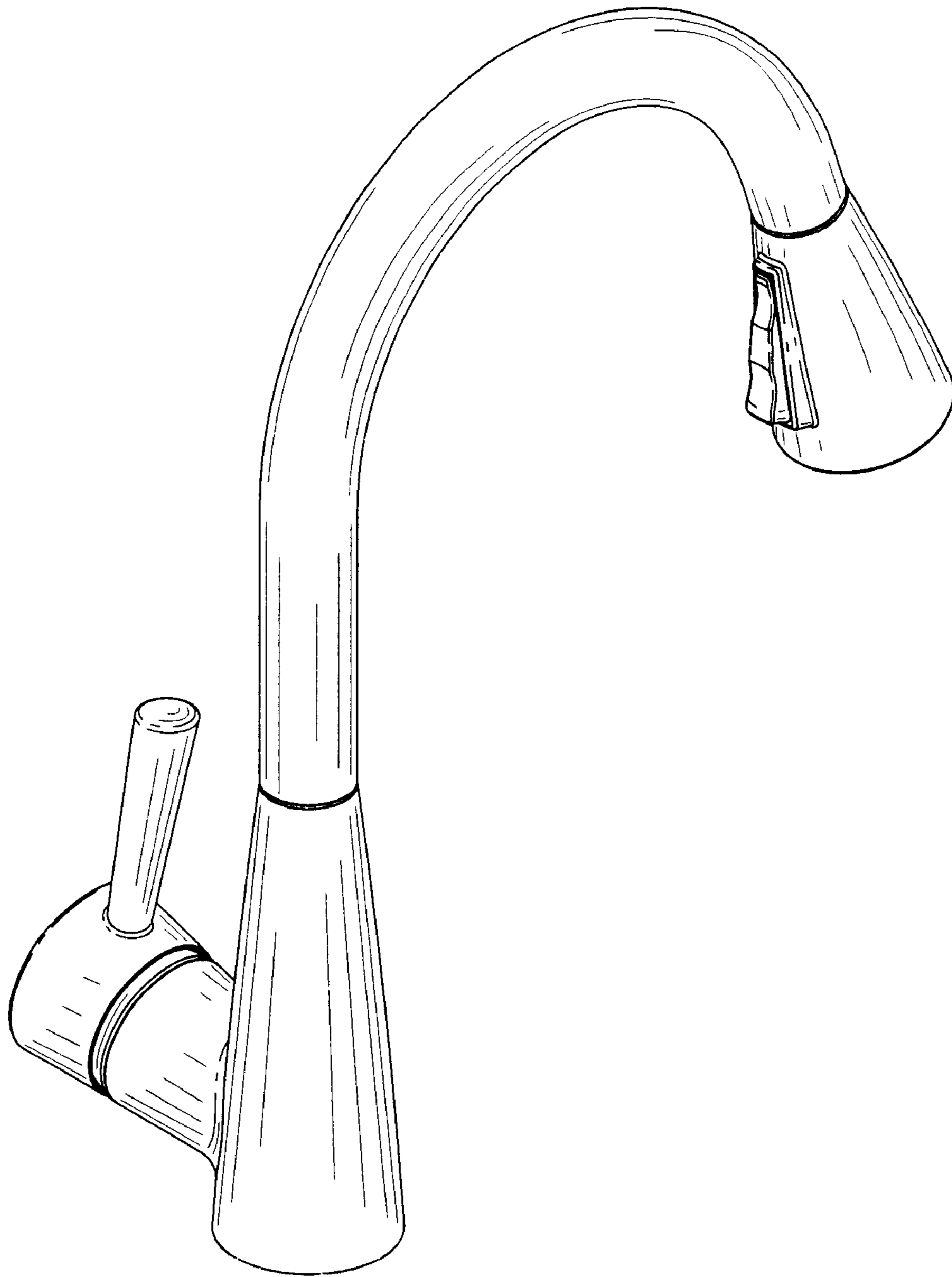


FIG. 7